



US00D368820S

United States Patent [19]

Sander

[11] Patent Number: **Des. 368,820**

[45] Date of Patent: ****Apr. 16, 1996**

[54] **TOILET BOWL IMPLEMENT CADDY**

[76] Inventor: **Cressie A. Sander, P.O. Box 7622, Santa Maria, Calif. 93454**

[**] Term: **14 Years**

[21] Appl. No.: **31,877**

[22] Filed: **Dec. 8, 1994**

[52] U.S. Cl. **D6/551**

[58] Field of Search D6/551; D34/1; D7/601, 602, 608, 612, 629, 391-392; D11/143, 146, 152; 206/361, 15.2, 15.3; 211/65; 312/206, 207; 15/146; 220/709, 713, 735-736

[56] **References Cited**

U.S. PATENT DOCUMENTS

- D. 272,874 3/1984 Cohen .
- D. 276,291 11/1984 Borocho .
- D. 281,743 12/1985 Thompson .
- D. 297,292 8/1988 Plymale .
- D. 315,269 3/1991 Brazis .
- D. 315,989 4/1991 Levien .
- 2,487,400 11/1949 Tupper .
- 3,044,610 7/1962 Tupper D7/629 X
- 3,361,507 1/1968 O'Neil .
- 3,429,474 2/1969 Cann 312/206 X

- 3,450,452 6/1969 Reid .
- 3,731,333 5/1973 Davis 312/207 X
- 3,883,197 5/1975 Reid .
- 4,183,444 1/1980 English et al. 220/735 X
- 4,211,750 7/1980 Gillespie 312/206 X
- 4,638,910 1/1987 Bokmiller .
- 4,700,423 10/1987 Zuliani .
- 4,776,456 10/1988 Lewis 206/15.2 X

Primary Examiner—Brian N. Vinson
Attorney, Agent, or Firm—Coudert Brothers

[57] **CLAIM**

The ornamental design for a toilet bowl implement caddy, as shown and described.

DESCRIPTION

FIG. 1 is a top, front, and right side perspective view of a toilet bowl implement caddy showing my new design, the broken-line disclosure of a toilet bowl implement handle being for illustrative purposes only and forming no part of the claimed design;

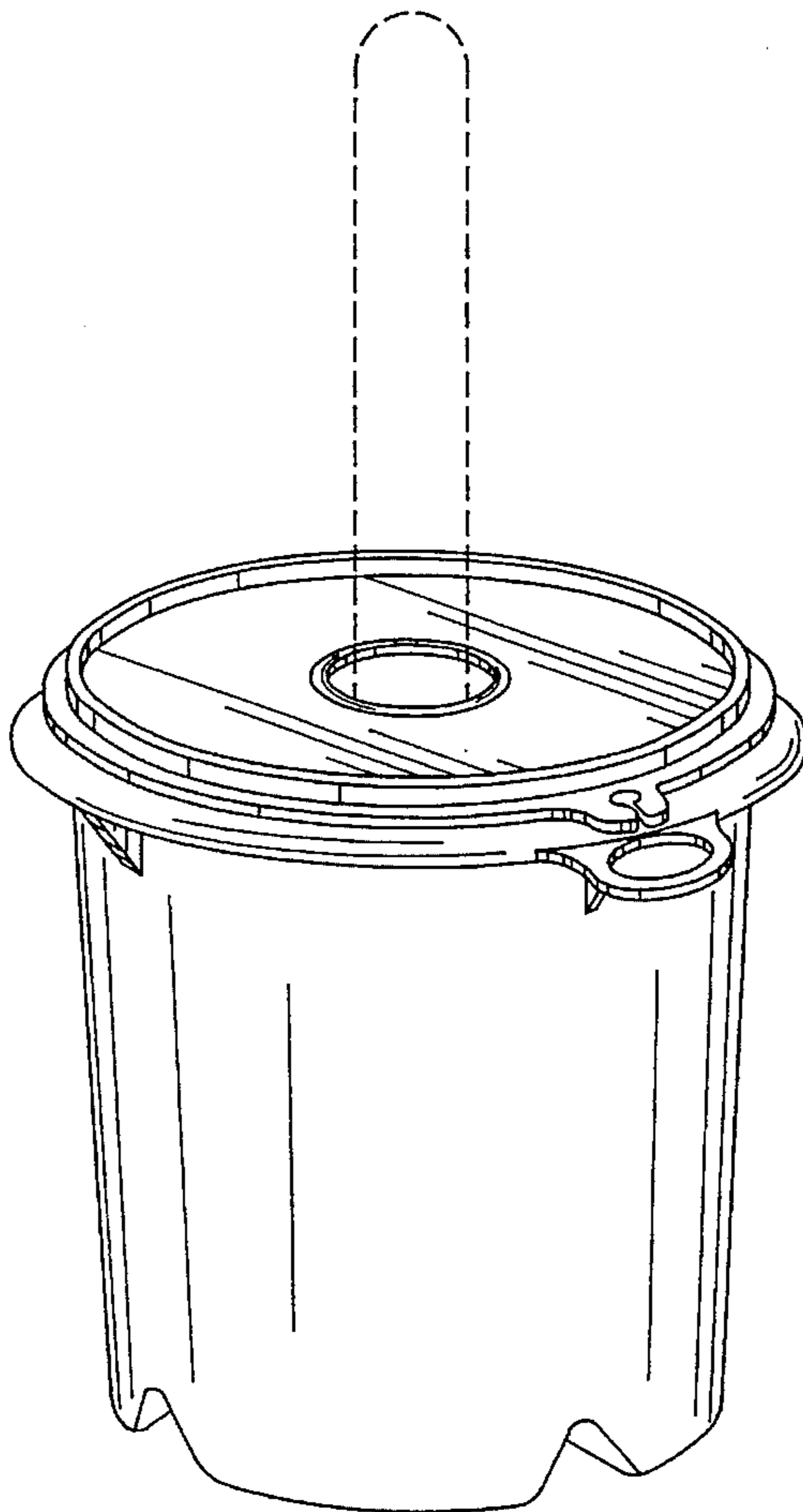
FIG. 2 is a front elevational view thereof, the rear being a mirror image of that shown;

FIG. 3 is a right side elevational view thereof, the left side being identical except for the lack of any tab projections;

FIG. 4 is a top plan view thereof; and,

FIG. 5 is a bottom plan view thereof.

1 Claim, 3 Drawing Sheets



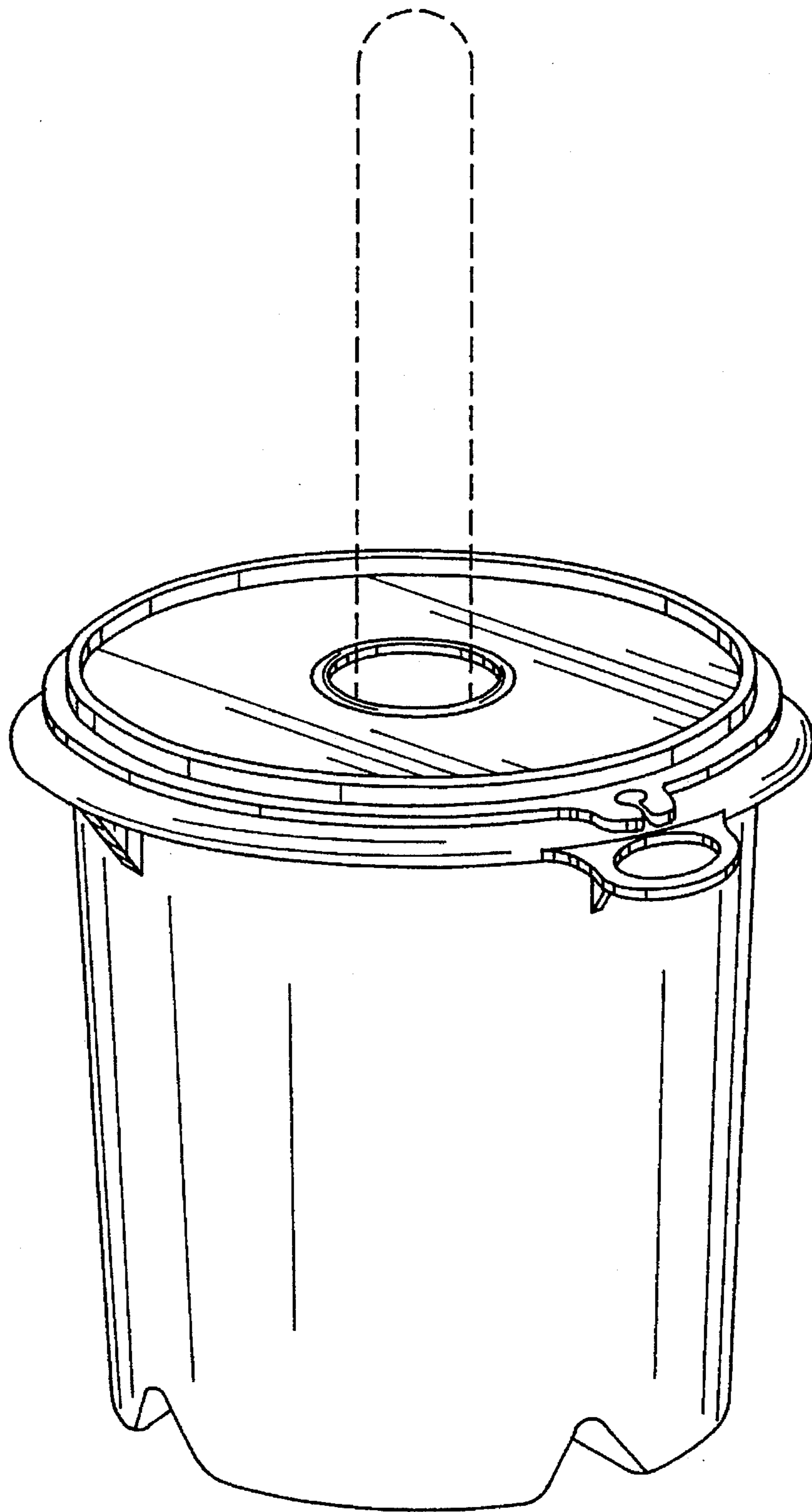


FIG. 1

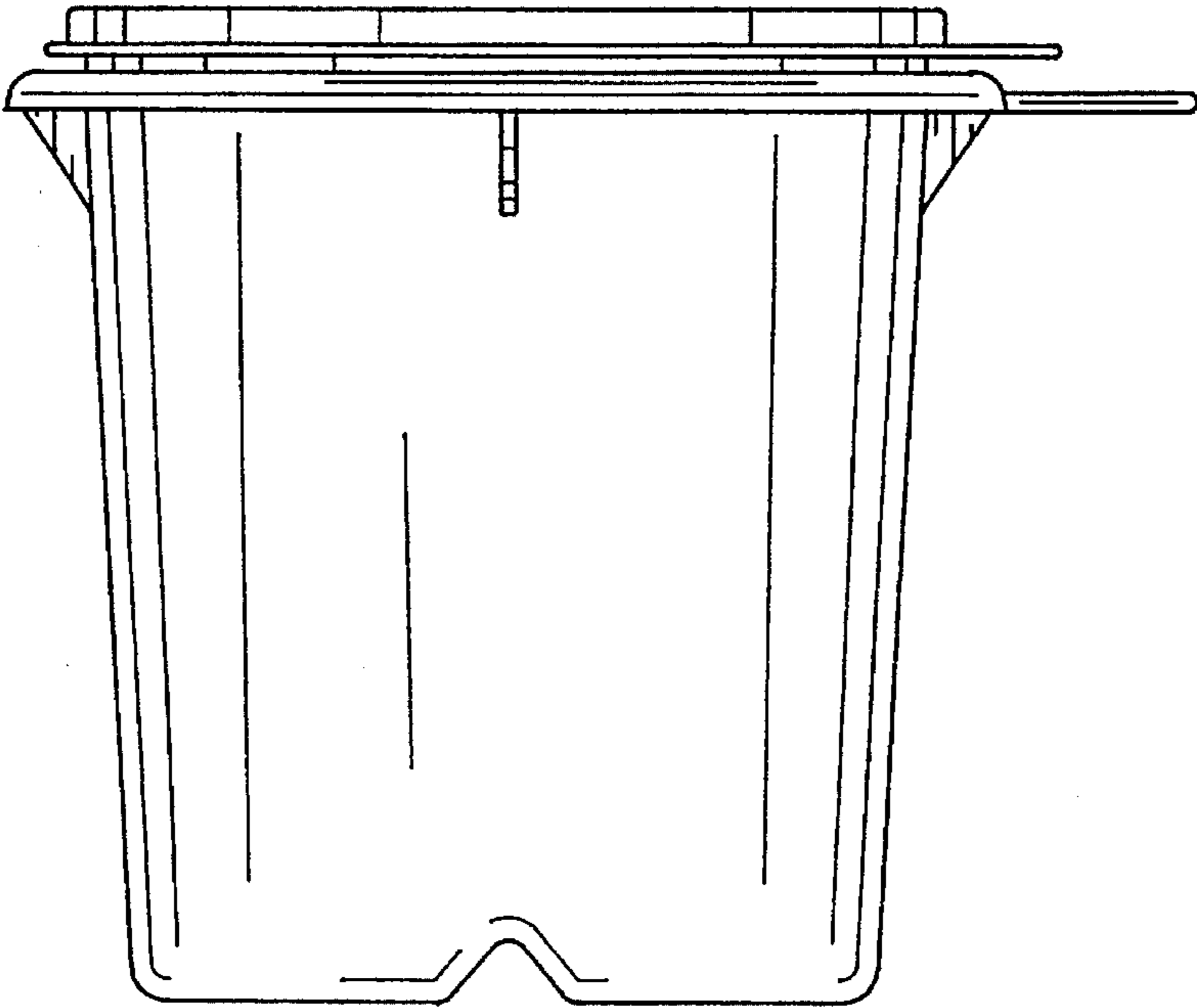


FIG. 2

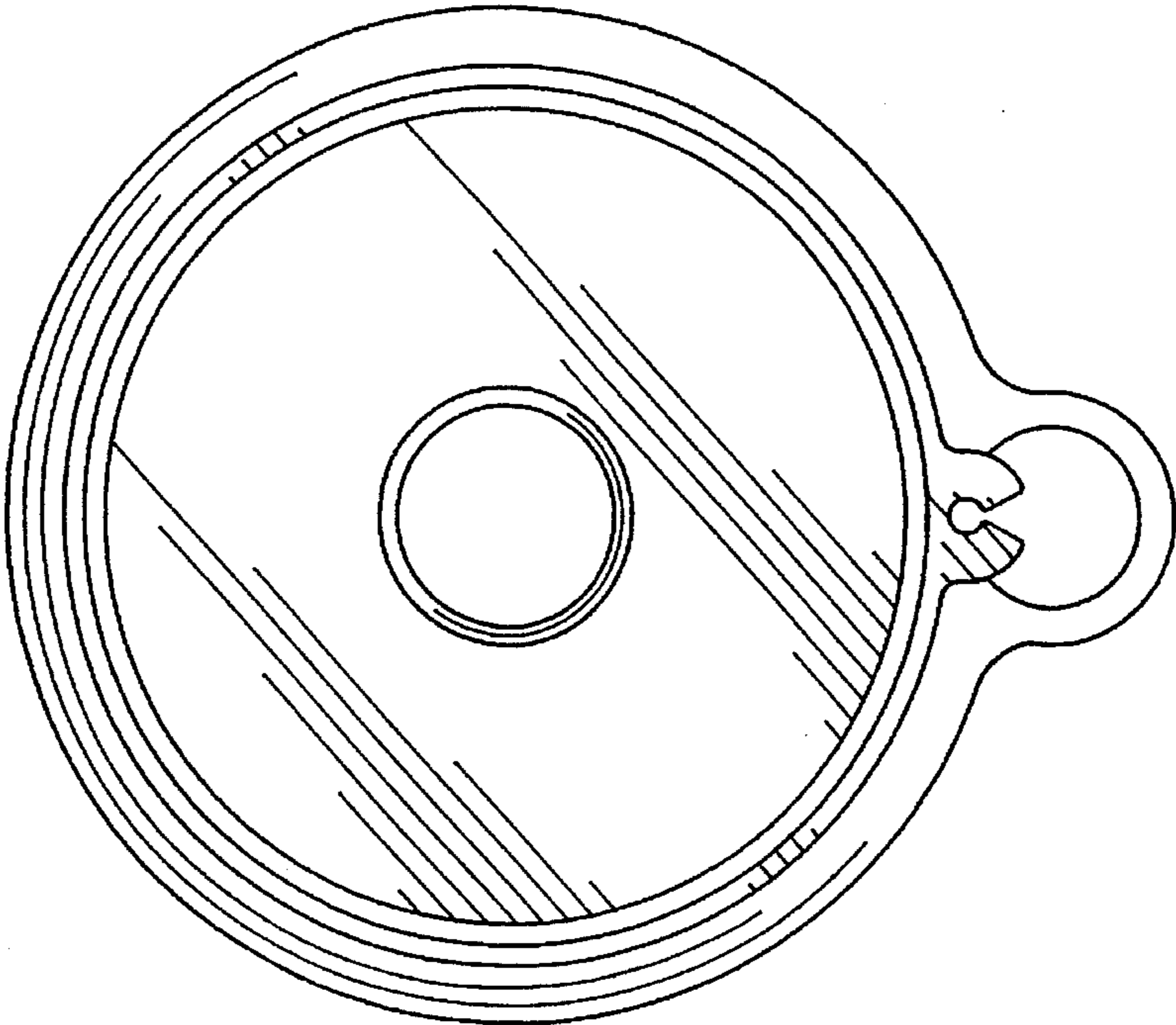


FIG. 4

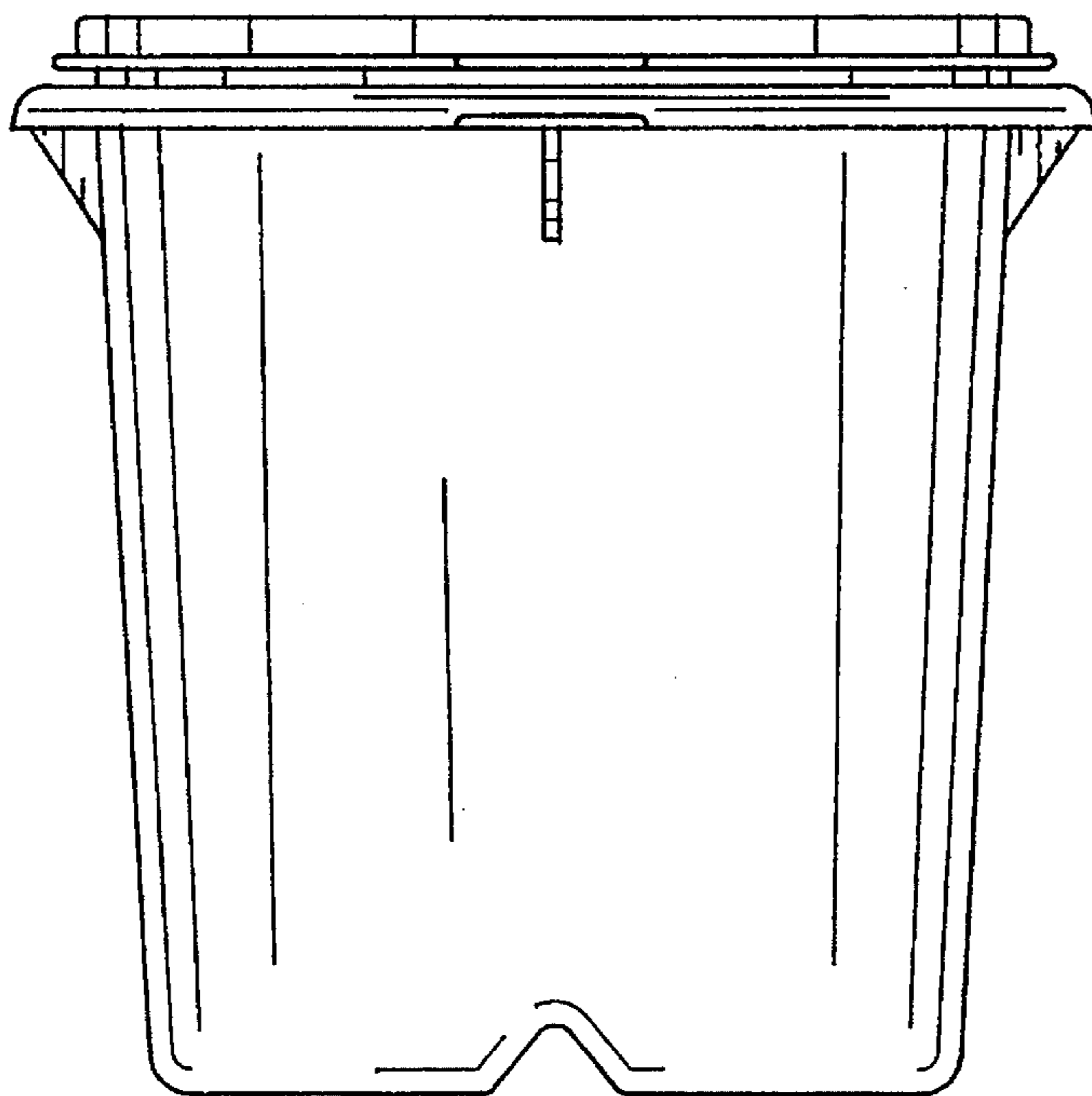


FIG. 3

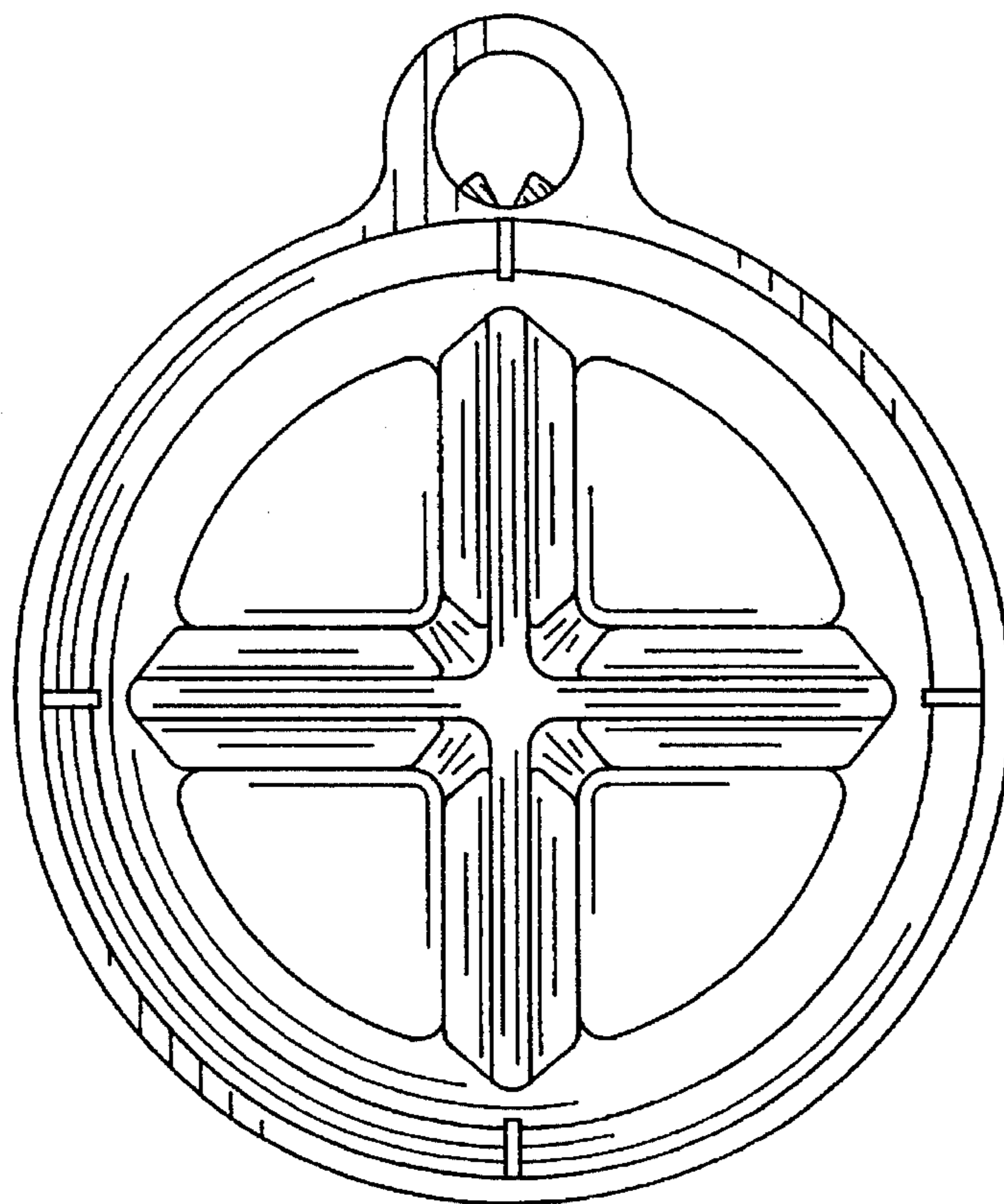


FIG. 5