



US00D368817S

United States Patent [19]

[11] Patent Number: **Des. 368,817**

Schultz

[45] Date of Patent: ****Apr. 16, 1996**

[54] CHAIR ARM

[75] Inventor: **Craig H. Schultz**, Muscatine, Iowa

[73] Assignee: **Hon Industries Inc.**, Muscatine, Iowa

[**] Term: **14 Years**

[21] Appl. No.: **24,104**

[22] Filed: **Jun. 8, 1994**

[52] U.S. Cl. **D6/501**

[58] Field of Search D6/500-502, 334,
D6/366, 376, 379, 368; 297/411.2, 411.23,
411.24, 411.26, 411.43, 411.44, 411.45,
411.46; 248/118

[56] References Cited

U.S. PATENT DOCUMENTS

D. 249,862	10/1978	Knight	D6/501
D. 296,628	7/1988	Glass	D6/370 X
D. 299,799	2/1989	Muller-Deisig et al.	D6/500
2,081,333	5/1937	Hoover	297/411.44 X
3,103,386	10/1963	Kerr	297/411.26
3,450,435	6/1969	Stephens	297/411.43 X

OTHER PUBLICATIONS

Interiors—Mar. '88, Armrest at top center.

Primary Examiner—Janice E. Seeger

Attorney, Agent, or Firm—Jones, Day, Reavis & Pogue

[57] CLAIM

The ornamental design for a chair arm, as shown and described.

DESCRIPTION

FIG. 1 is an isometric view of a chair arm showing my new design. The broken lines are for environmental purposes only and form no part of the design;

FIG. 2 is a right side view thereof;

FIG. 3 is a top plan view thereof;

FIG. 4 is a left side view thereof;

FIG. 5 is a bottom plan view thereof;

FIG. 6 is a rear view thereof;

FIG. 7 is a front view thereof;

FIG. 8 is a cross-sectional view thereof taken substantially along the line 8—8 of FIG. 4; and,

FIG. 9 is an isometric view of a second embodiment with broken lines used for environmental purposes only and forming no part of the design.

The other views of the second embodiment are substantially the mirror images of FIGS. 1-8.

1 Claim, 4 Drawing Sheets

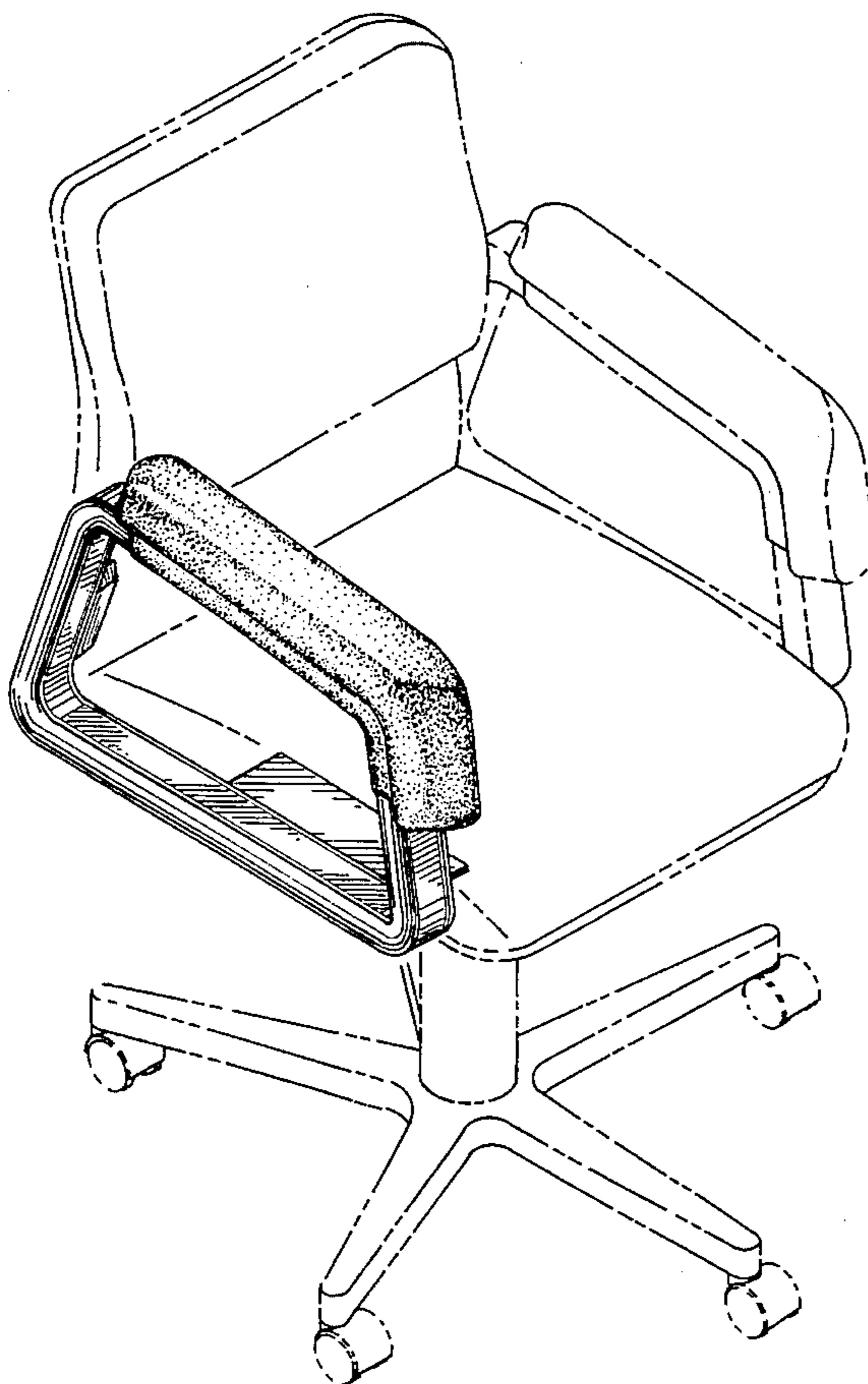


FIG. 1

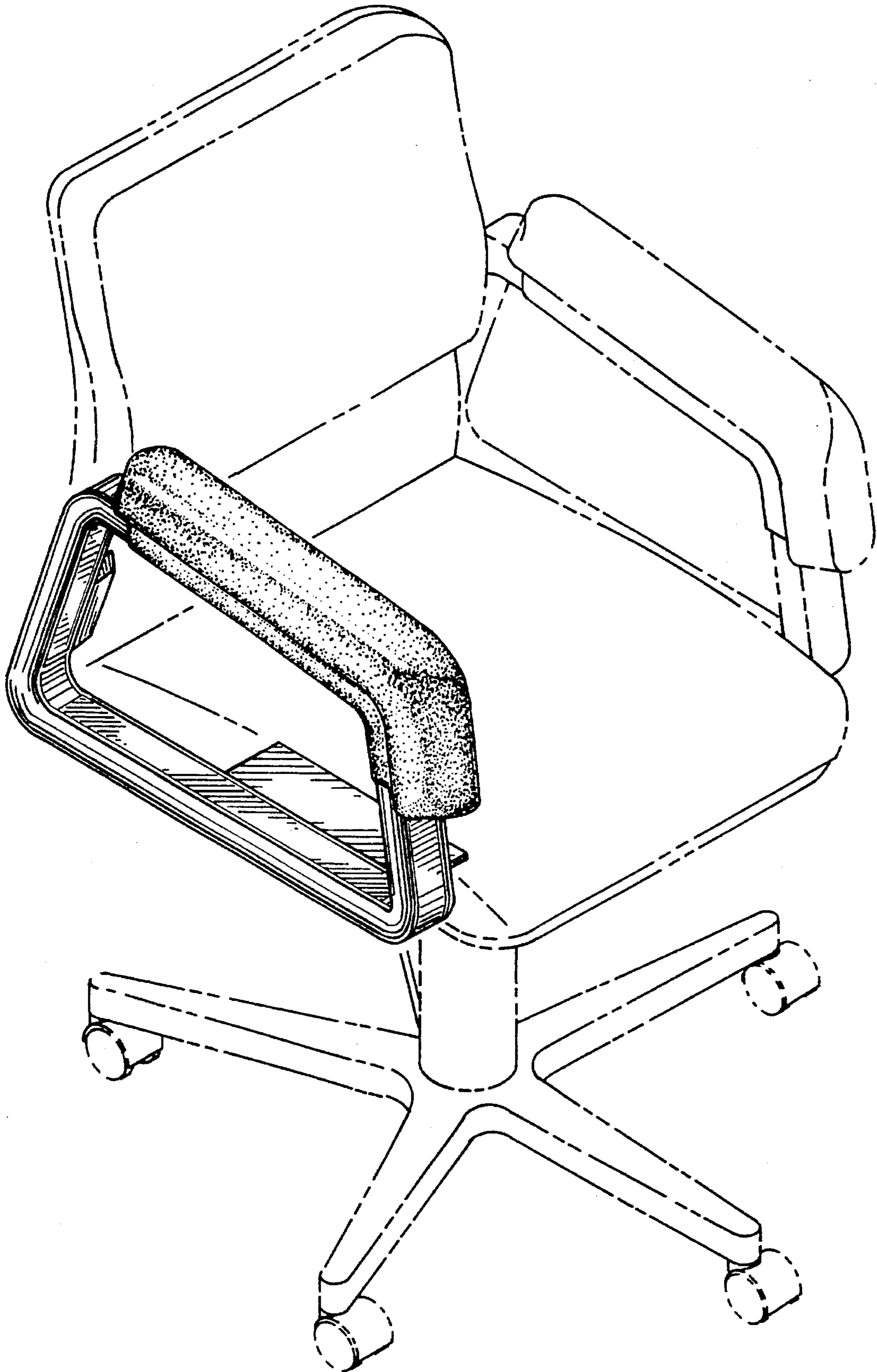


FIG. 2

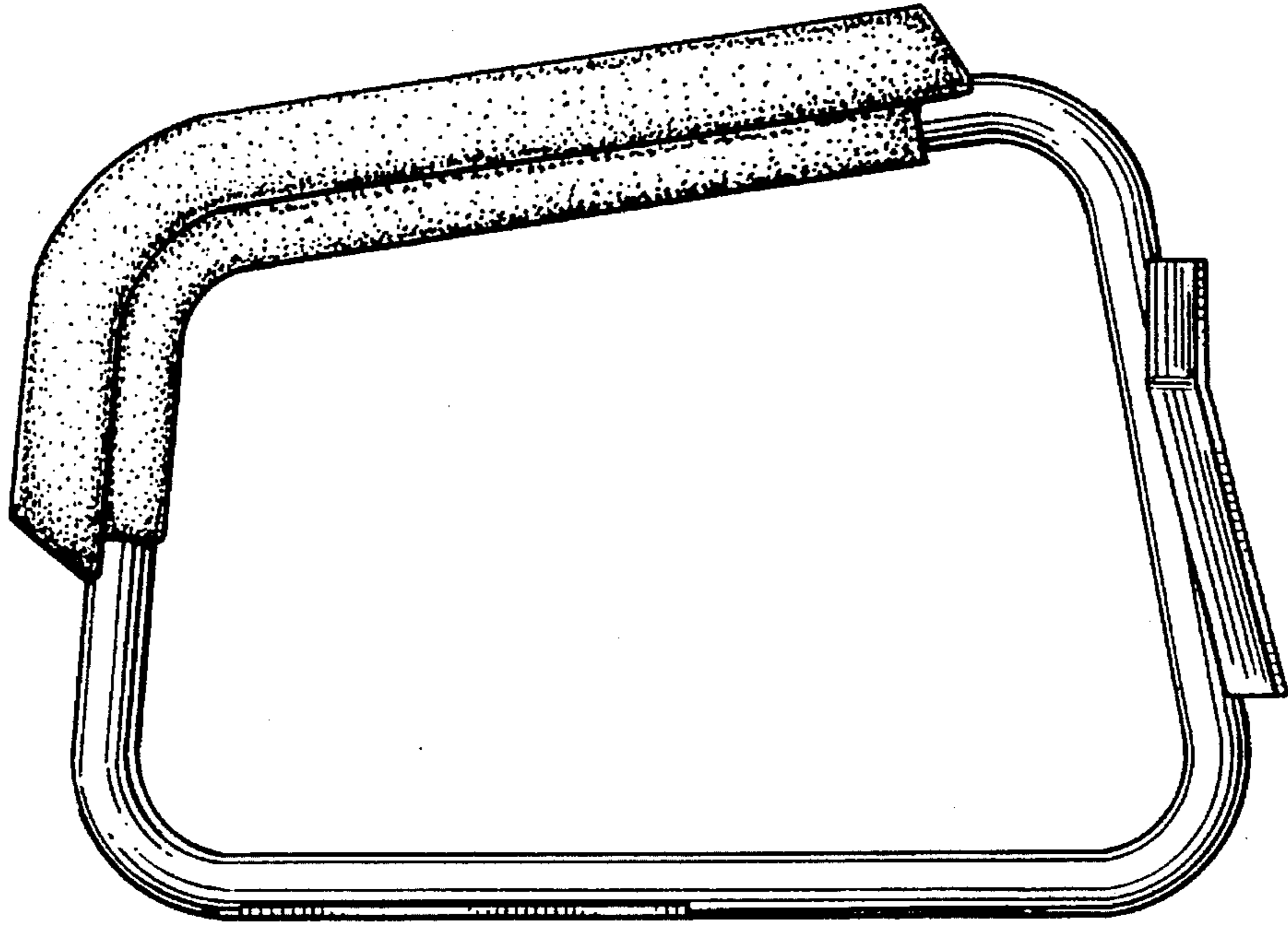


FIG. 3

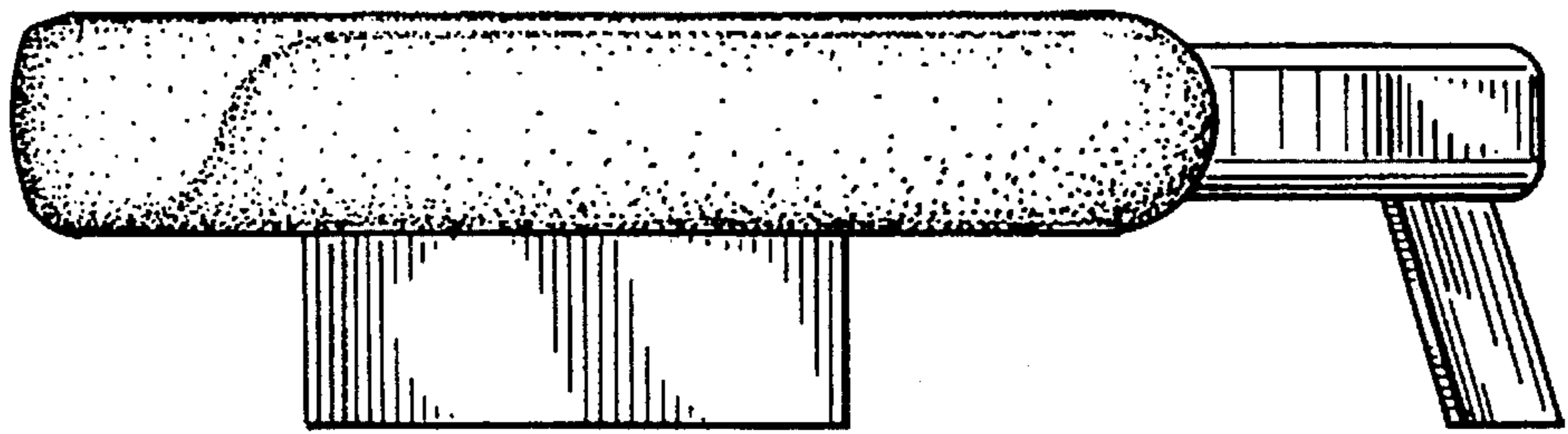


FIG. 4

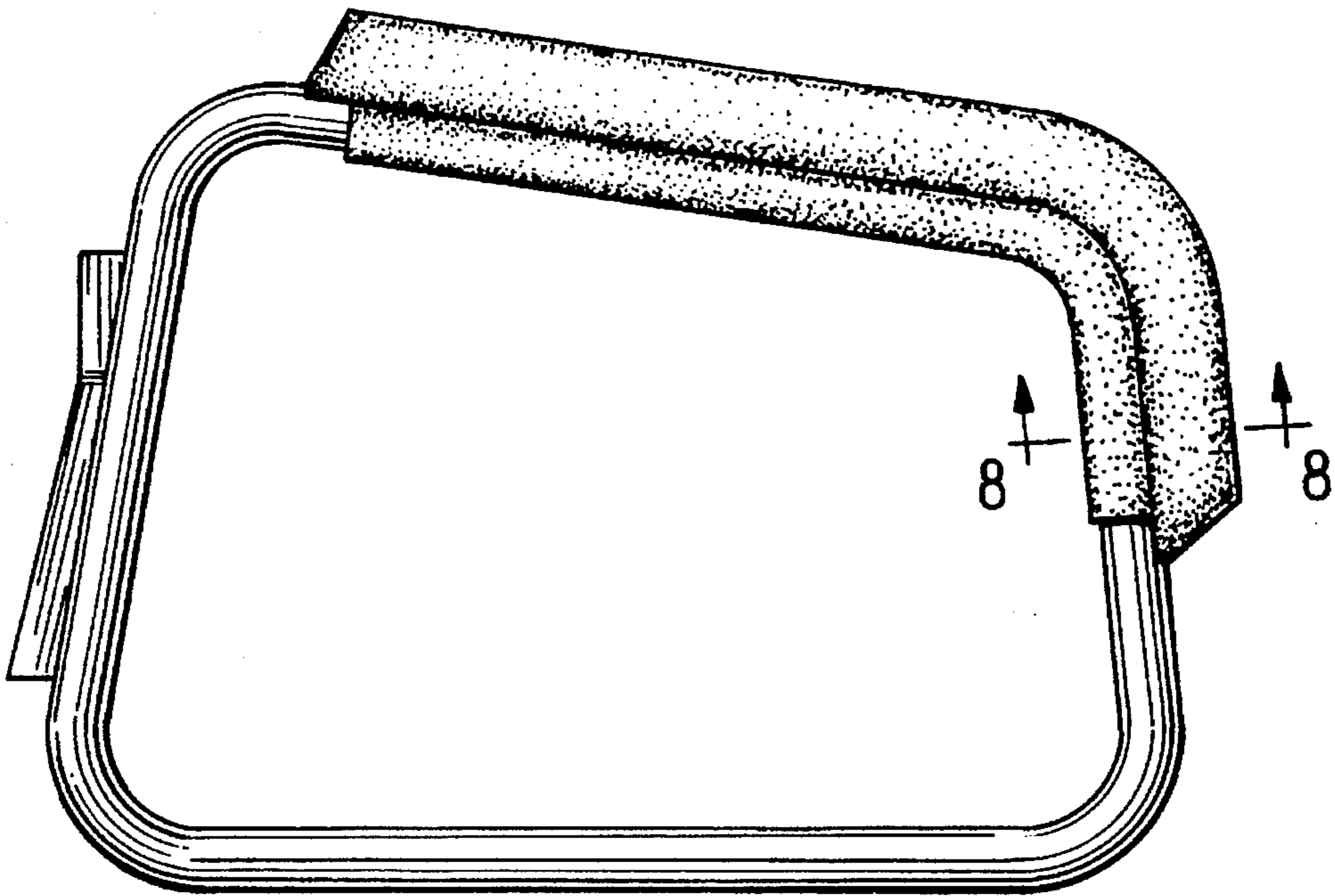


FIG. 5

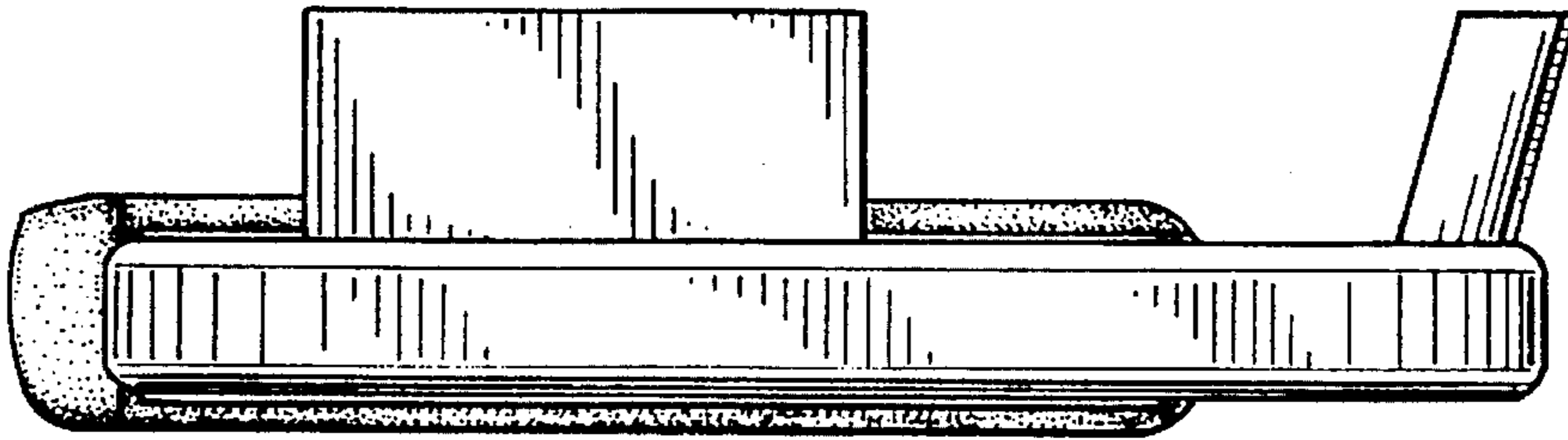


FIG. 6

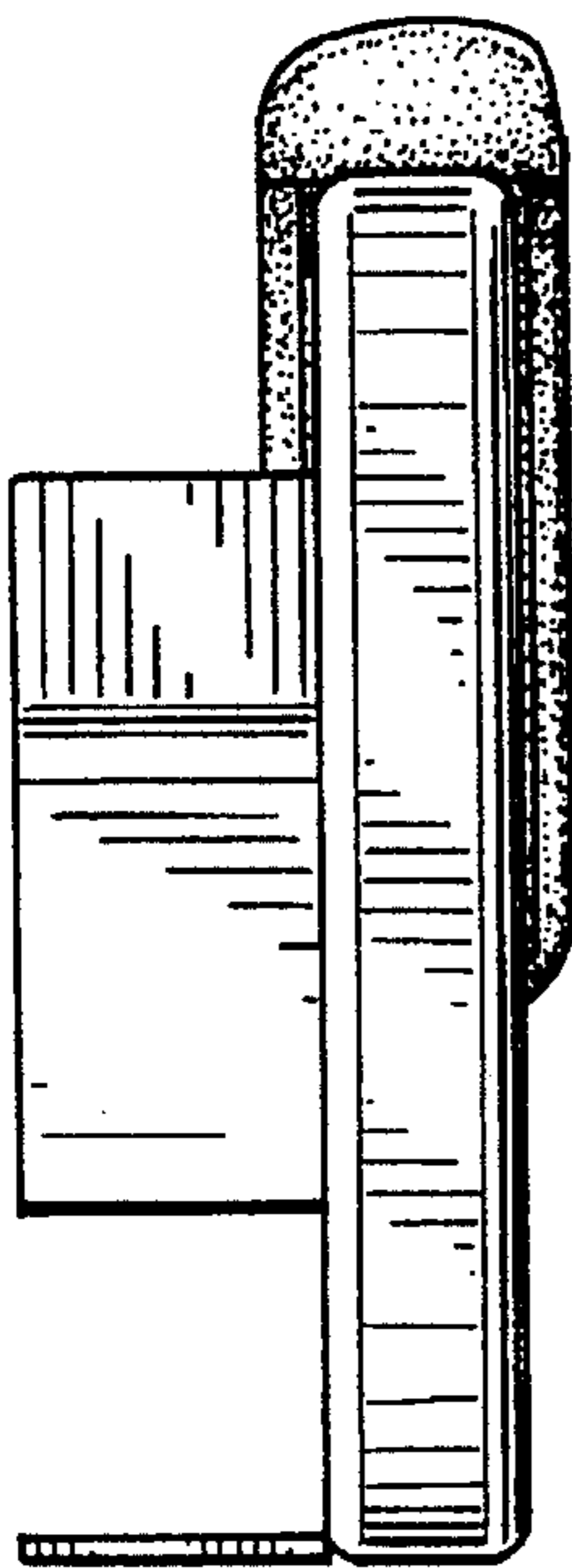


FIG. 7

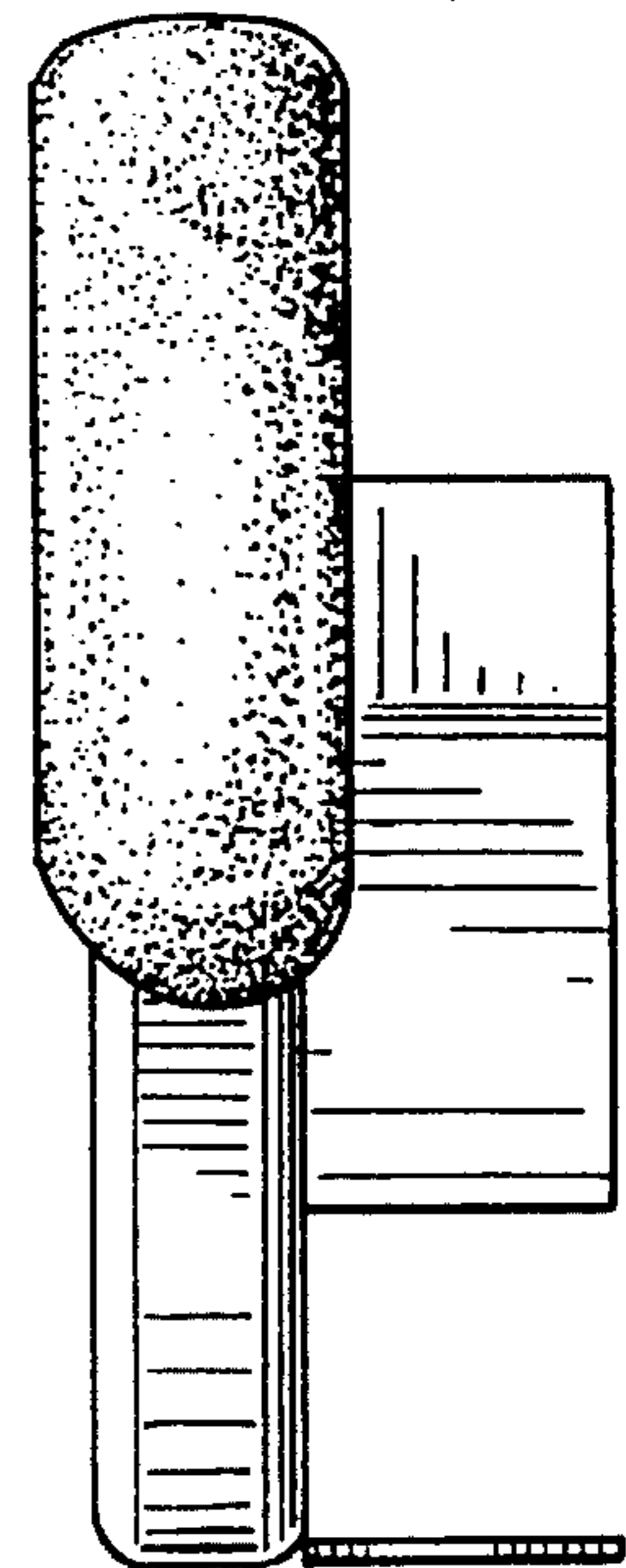


FIG. 8

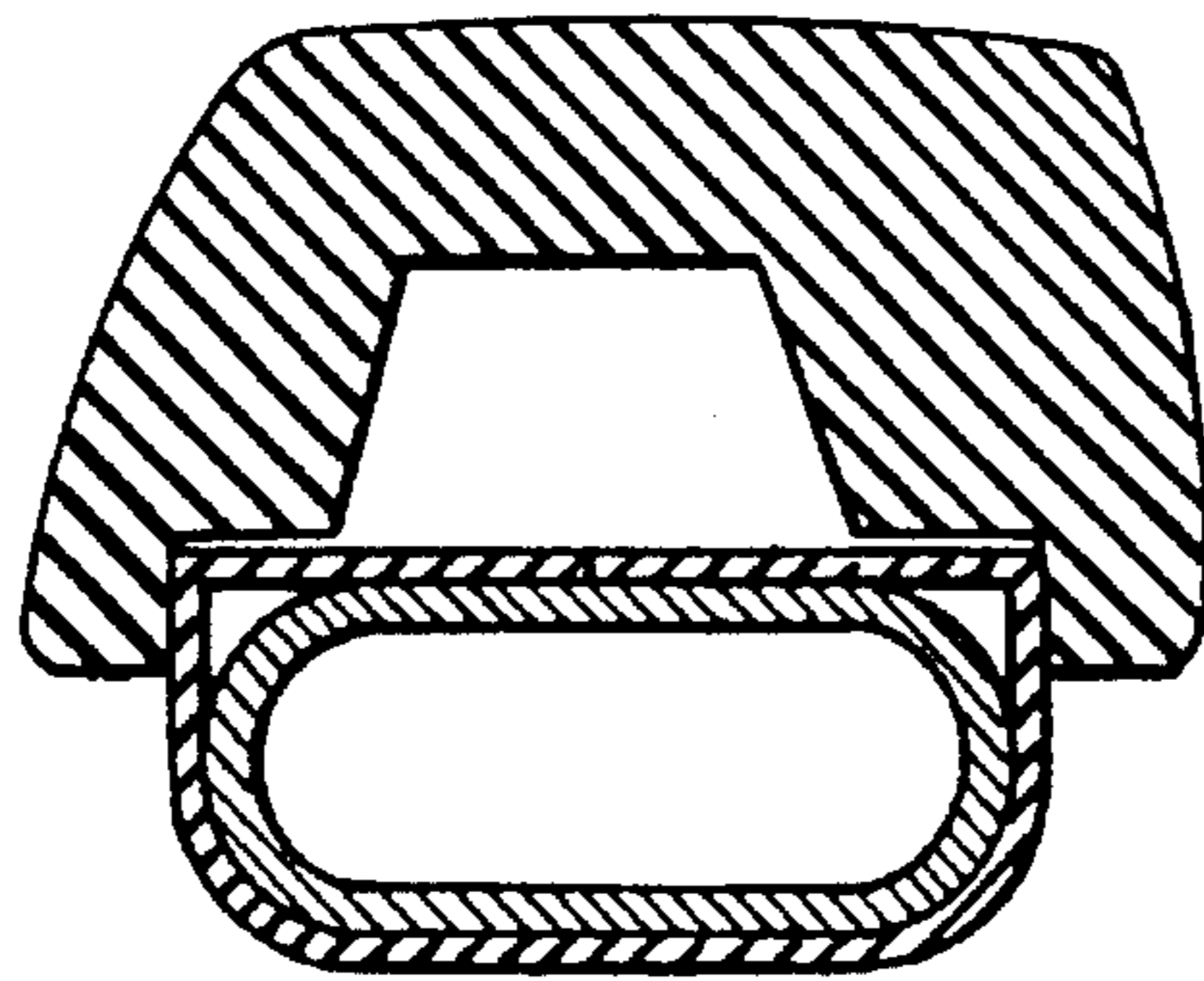


FIG. 9

