



US00D368816S

United States Patent [19]

[11] Patent Number: **Des. 368,816**

Mitchell et al.

[45] Date of Patent: ****Apr. 16, 1996**

[54] **OPEN TOP FRAME FOR A CHILD'S SWING**

D. 293,046	12/1987	Riehm	D6/333 X
D. 349,819	8/1994	Noll	D6/347
D. 351,289	10/1994	Stephens et al.	D6/347
4,822,033	4/1989	Kohus et al. .	
5,326,327	7/1994	Stephens et al. .	

[75] Inventors: **Daniel R. Mitchell**, Morgantown; **Scott B. Caley**, Elverson, both of Pa.

[73] Assignee: **Graco Children's Products Inc.**, Elverson, Pa.

Primary Examiner—Janice E. Seeger
Attorney, Agent, or Firm—Pennie & Edmonds

[**] Term: **14 Years**

[57] CLAIM

[21] Appl. No.: **40,018**

The ornamental design for an open top frame for a child's swing, as shown and described.

[22] Filed: **Jun. 8, 1995**

DESCRIPTION

Related U.S. Application Data

FIG. 1 is a front right perspective view of the open top frame for a child's swing of our design, with the seat shown in phantom;

[63] Continuation of Ser. No. 13,747, Oct. 1, 1993, abandoned.

[52] U.S. Cl. **D6/500; D6/499; D6/333**

FIG. 2 is a top left right perspective view thereof;

[58] Field of Search D6/333, 334, 335, D6/344, 347, 499, 385, 386; 297/274, 273, 275, 148-150; 5/101, 105

FIG. 3 is a front view thereof;

FIG. 4 is a right side view thereof;

FIG. 5 is a rear view thereof; and,

FIG. 6 is a left side view thereof.

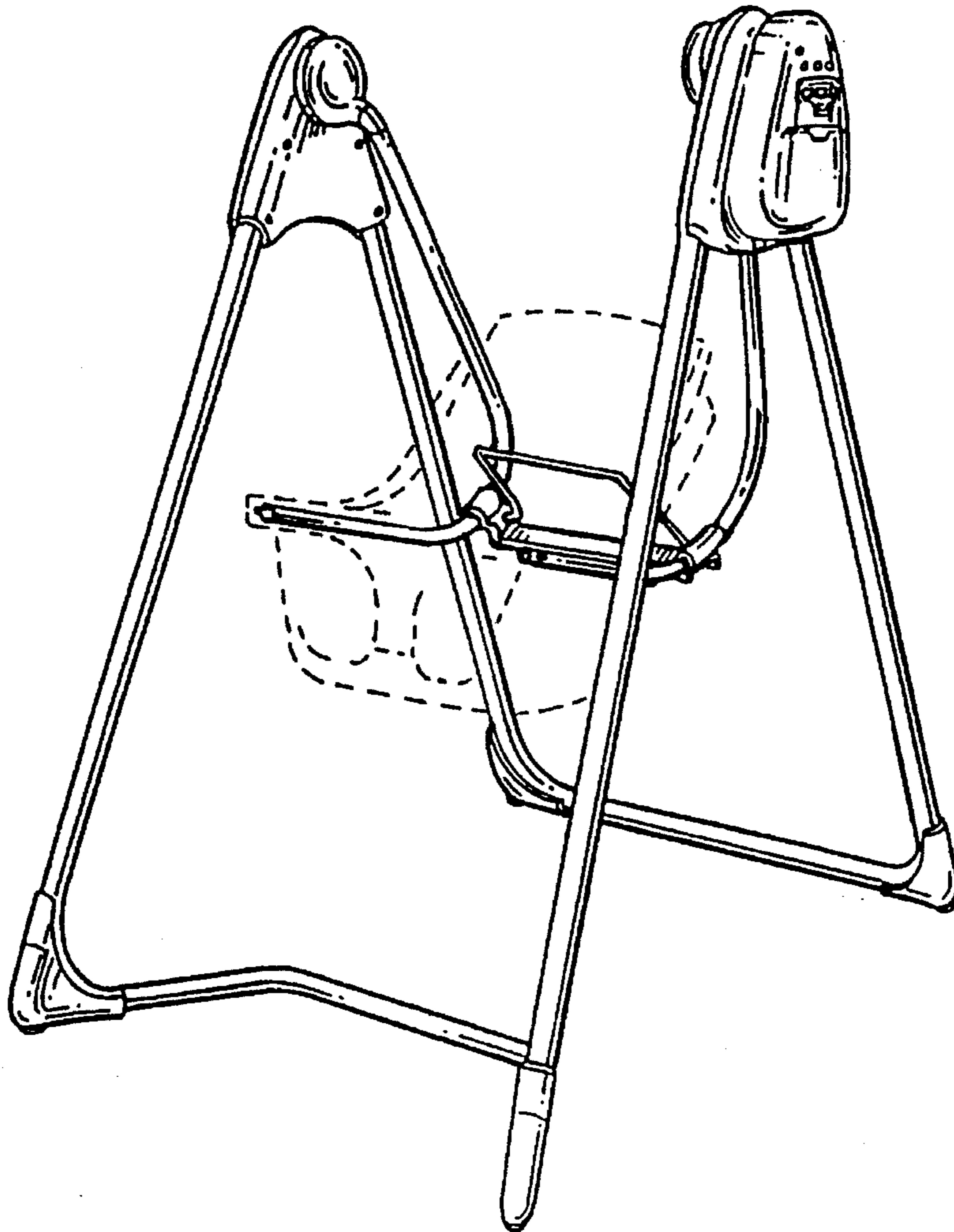
[56] References Cited

The broken lines are for environmental purposes only and form no part of the claimed design.

U.S. PATENT DOCUMENTS

D. 250,861 1/1979 Bourdreau et al. D6/347

1 Claim, 6 Drawing Sheets



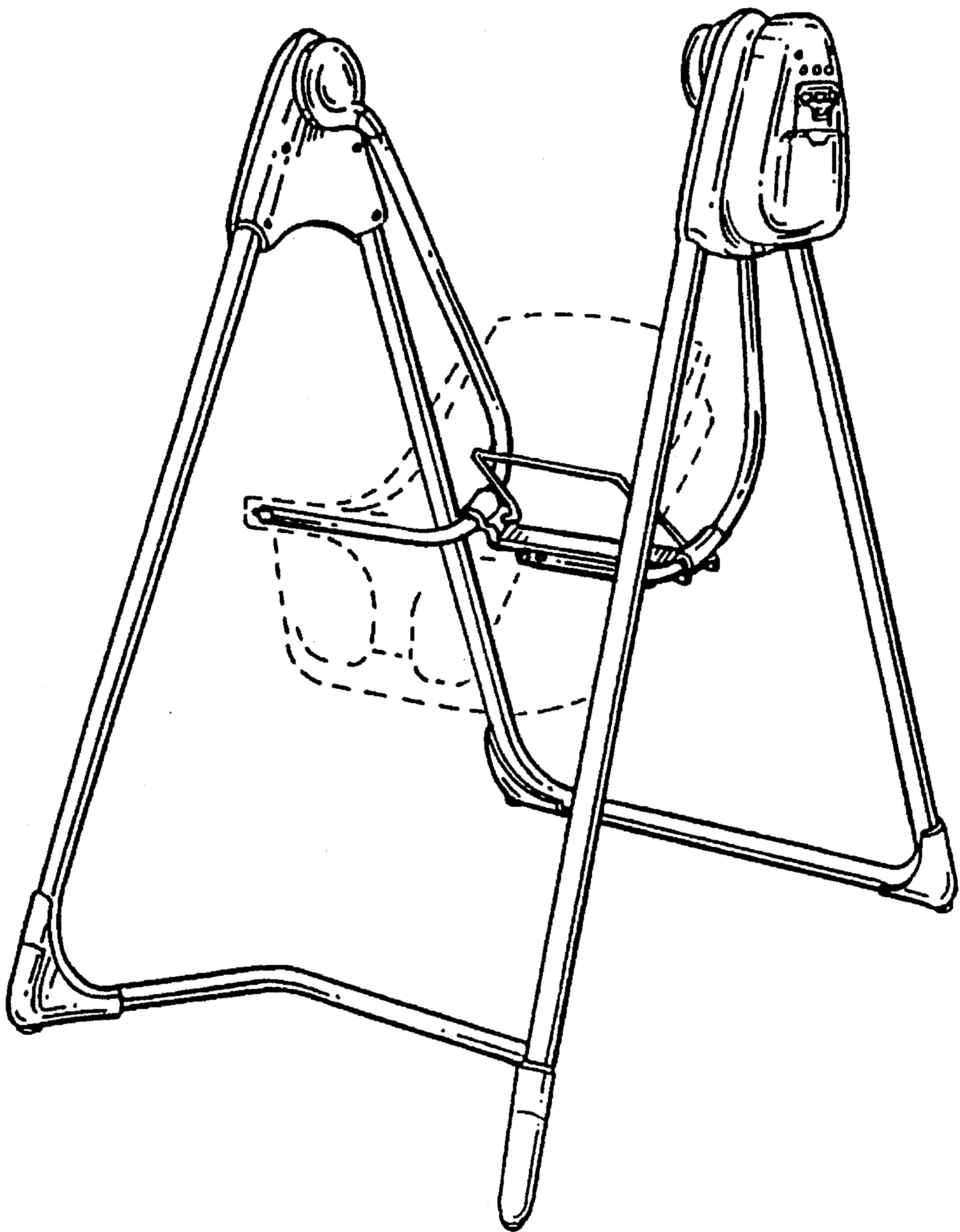


FIG. 1

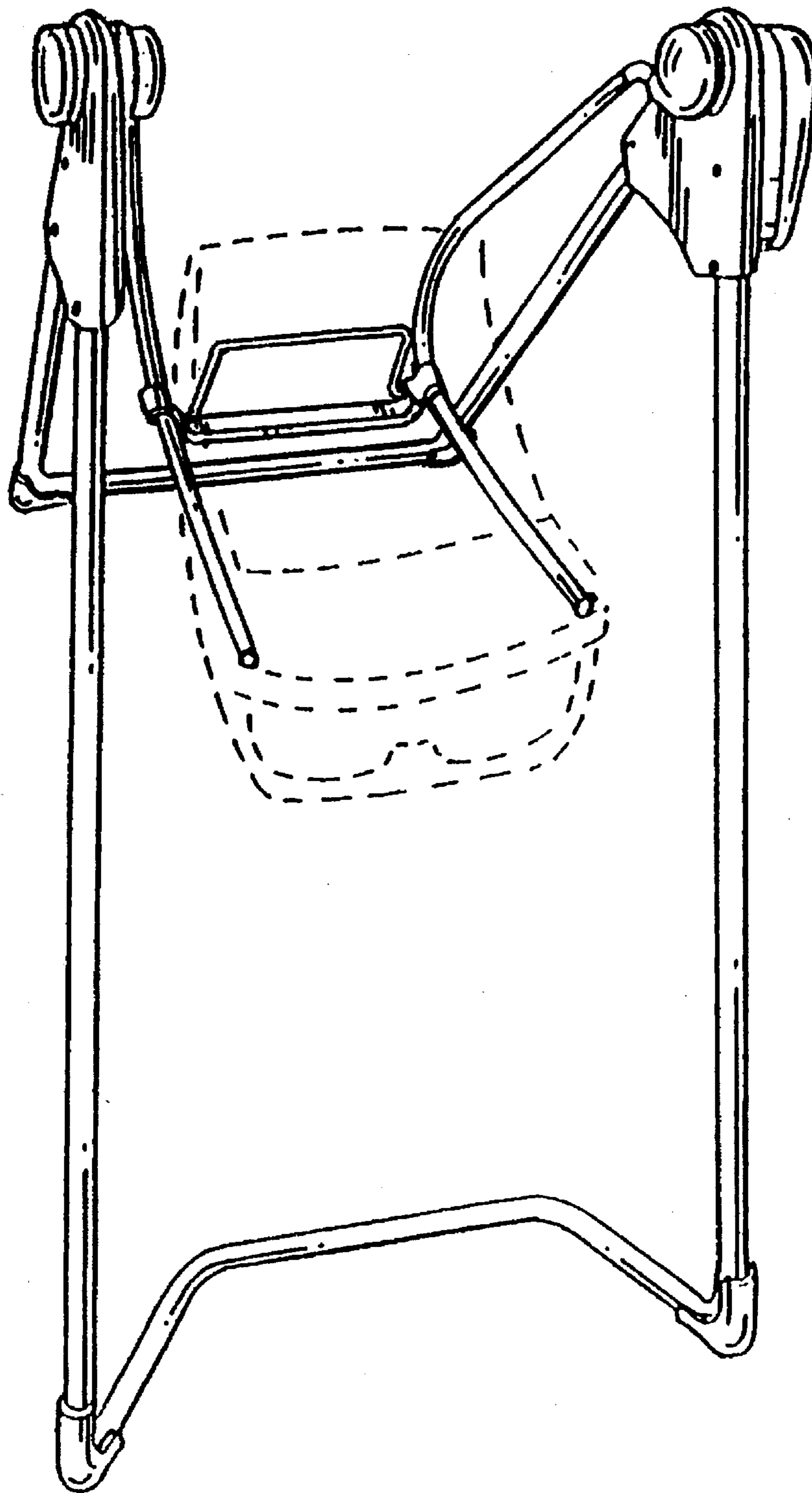


FIG. 2

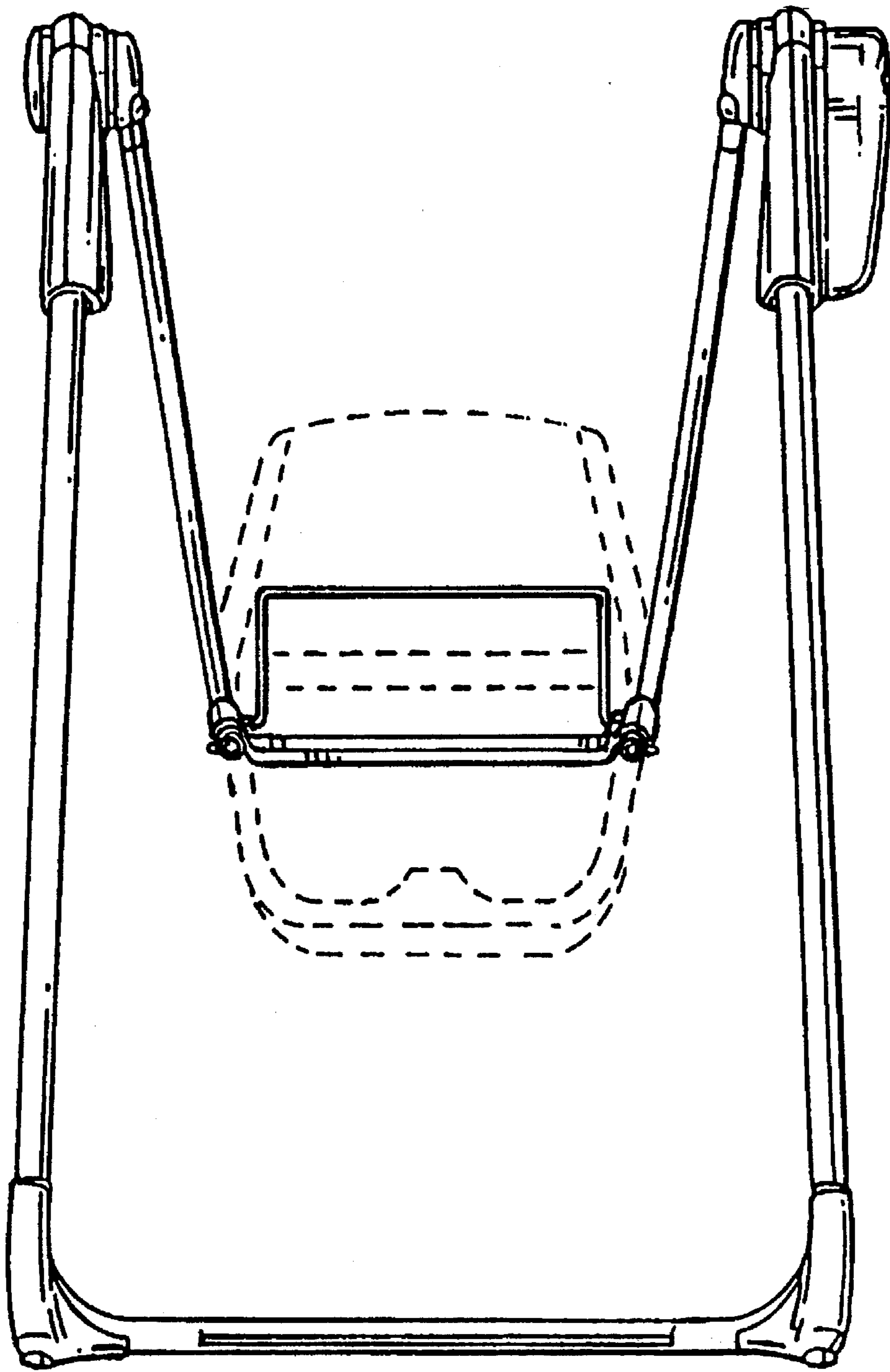


FIG. 3

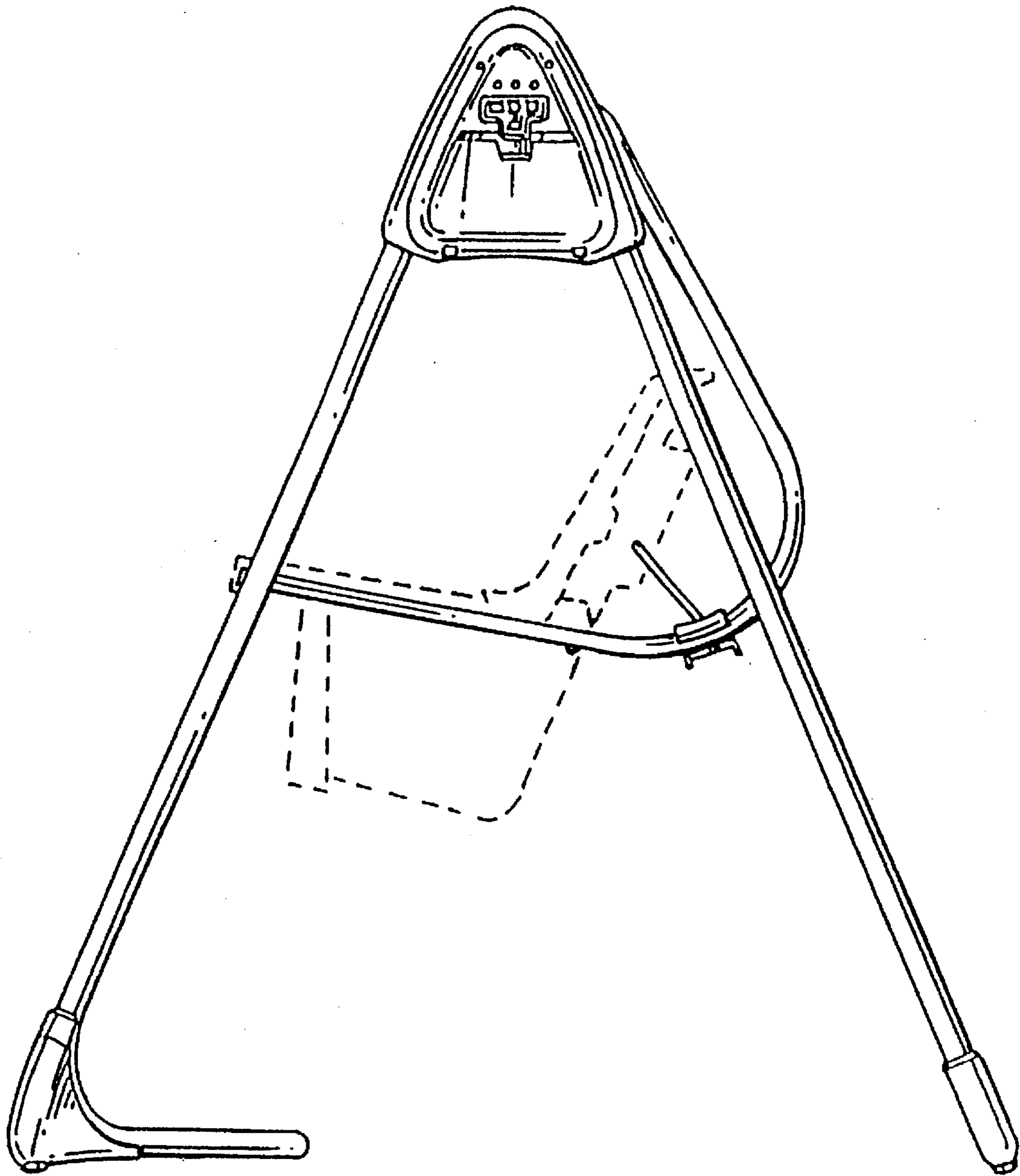


FIG. 4

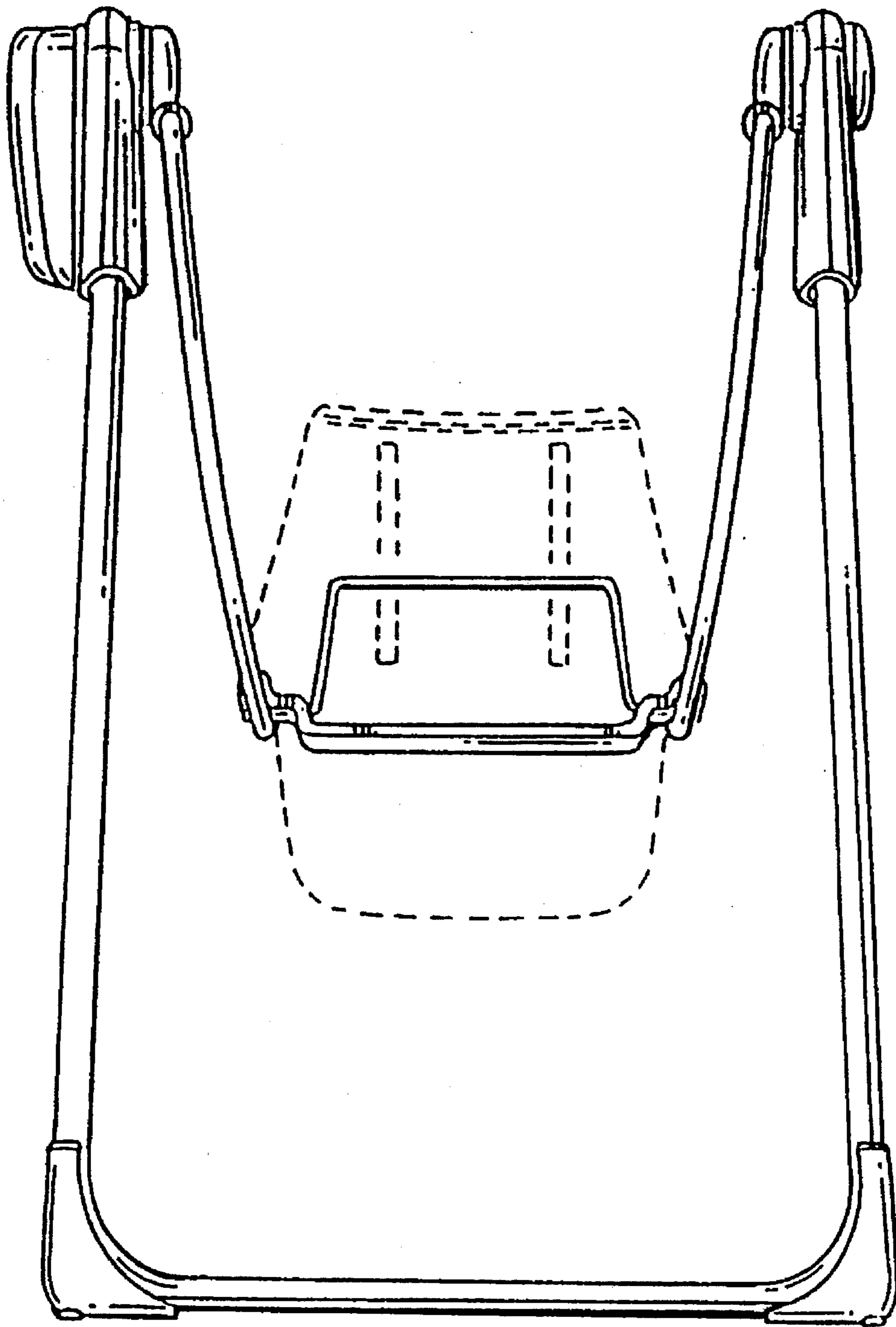


FIG. 5

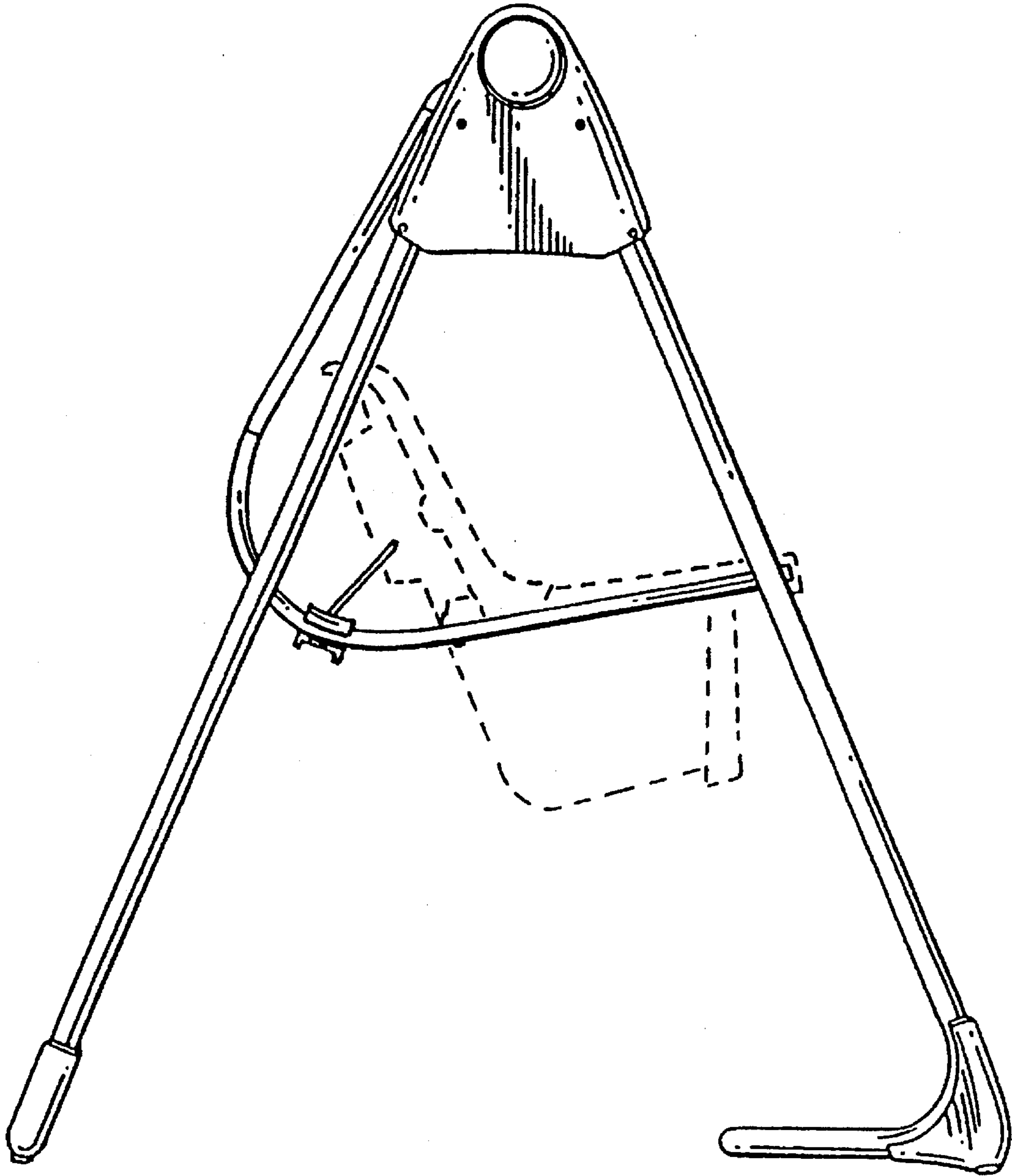


FIG. 6