



US00D368812S

United States Patent [19]

Lee

[11] Patent Number: **Des. 368,812**

[45] Date of Patent: ****Apr. 16, 1996**

[54] **DESK**

[76] Inventor: **John J. Lee**, 2331 Abalone Ave., #102, Torrance, Calif. 90501

[**] Term: **14 Years**

[21] Appl. No.: **28,844**

[22] Filed: **Sep. 23, 1994**

[52] U.S. Cl. **D6/421; D6/474; D6/426**

[58] Field of Search **D6/421-431, 474, D6/420; 312/194-196, 204, 223.3; 108/59, 60, 25, 92**

D. 305,838	2/1990	Bicenenstock	D6/420
D. 314,289	2/1991	Schaelling et al.	D6/425
D. 340,816	11/1993	Lee	D6/421
D. 343,305	1/1994	Ng et al.	D6/430
4,009,811	7/1978	Barry	108/25 X
4,640,199	2/1987	Zigman	108/92 X
4,668,026	5/1987	Lapeyre et al.	108/60 X

Primary Examiner—Carmen H. Vales-Lado
Attorney, Agent, or Firm—James E. Brunton

[57] CLAIM

The ornamental design for a desk, as shown.

DESCRIPTION

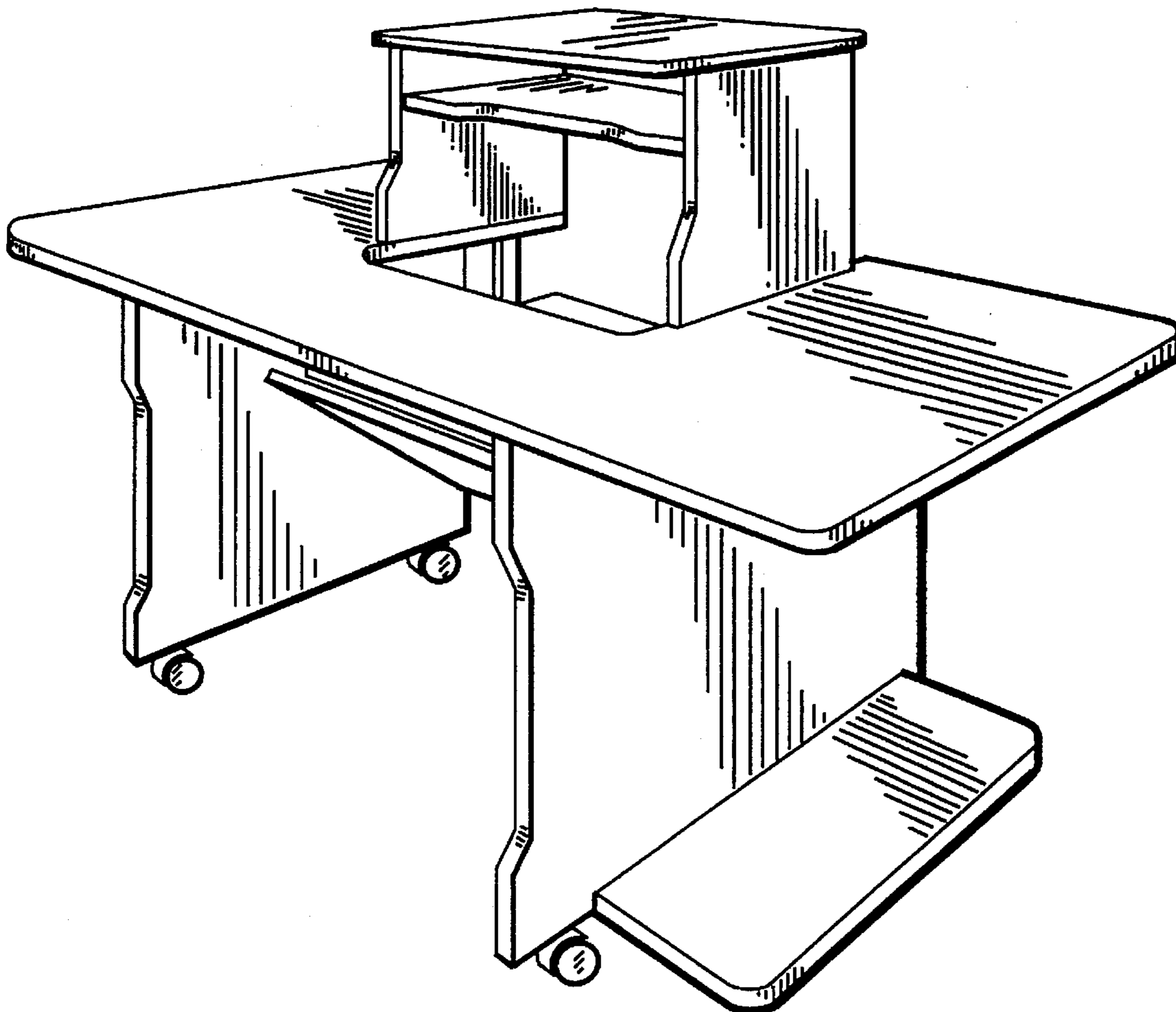
FIG. 1 is a perspective view of a desk showing my new design;
FIG. 2 is a right side elevational view thereof;
FIG. 3 is a left side elevational view thereof;
FIG. 4 is a front elevational view thereof;
FIG. 5 is a rear elevational view thereof;
FIG. 6 is a top plan view thereof; and,
FIG. 7 is a bottom plan view thereof.

1 Claim, 2 Drawing Sheets

[56] References Cited

U.S. PATENT DOCUMENTS

D. 243,300	2/1977	Christensen	D6/421
D. 274,586	7/1984	Cope et al.	D6/474 X
D. 286,353	10/1986	Robolin	D6/474
D. 288,157	2/1987	Sandor	D6/474
D. 293,284	12/1987	Wright et al.	D6/425
D. 293,398	12/1987	Kwiecewski	D6/430
D. 296,800	7/1988	Benedetto et al.	D6/425 X
D. 297,987	10/1988	Borsos	D6/420



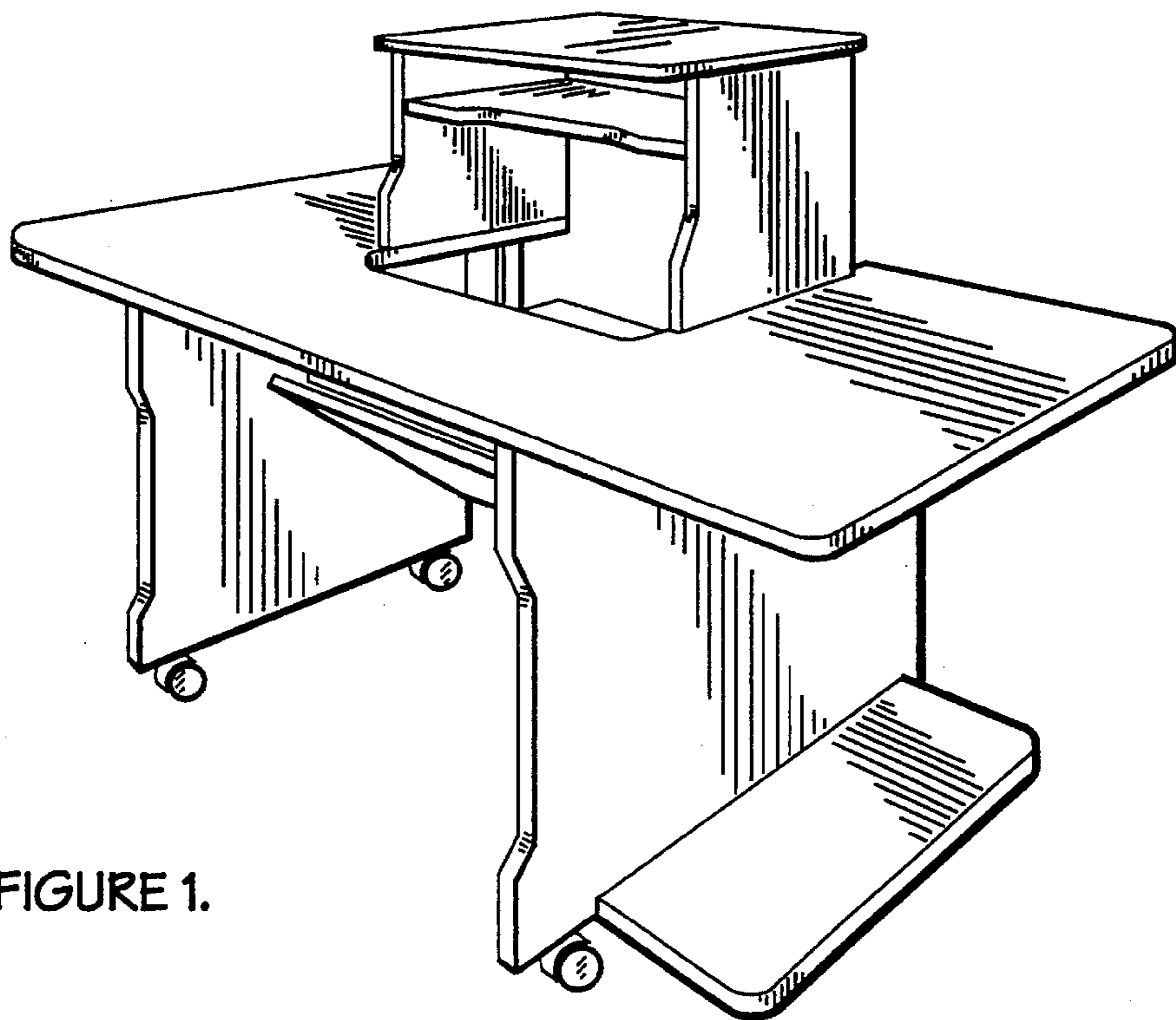


FIGURE 1.

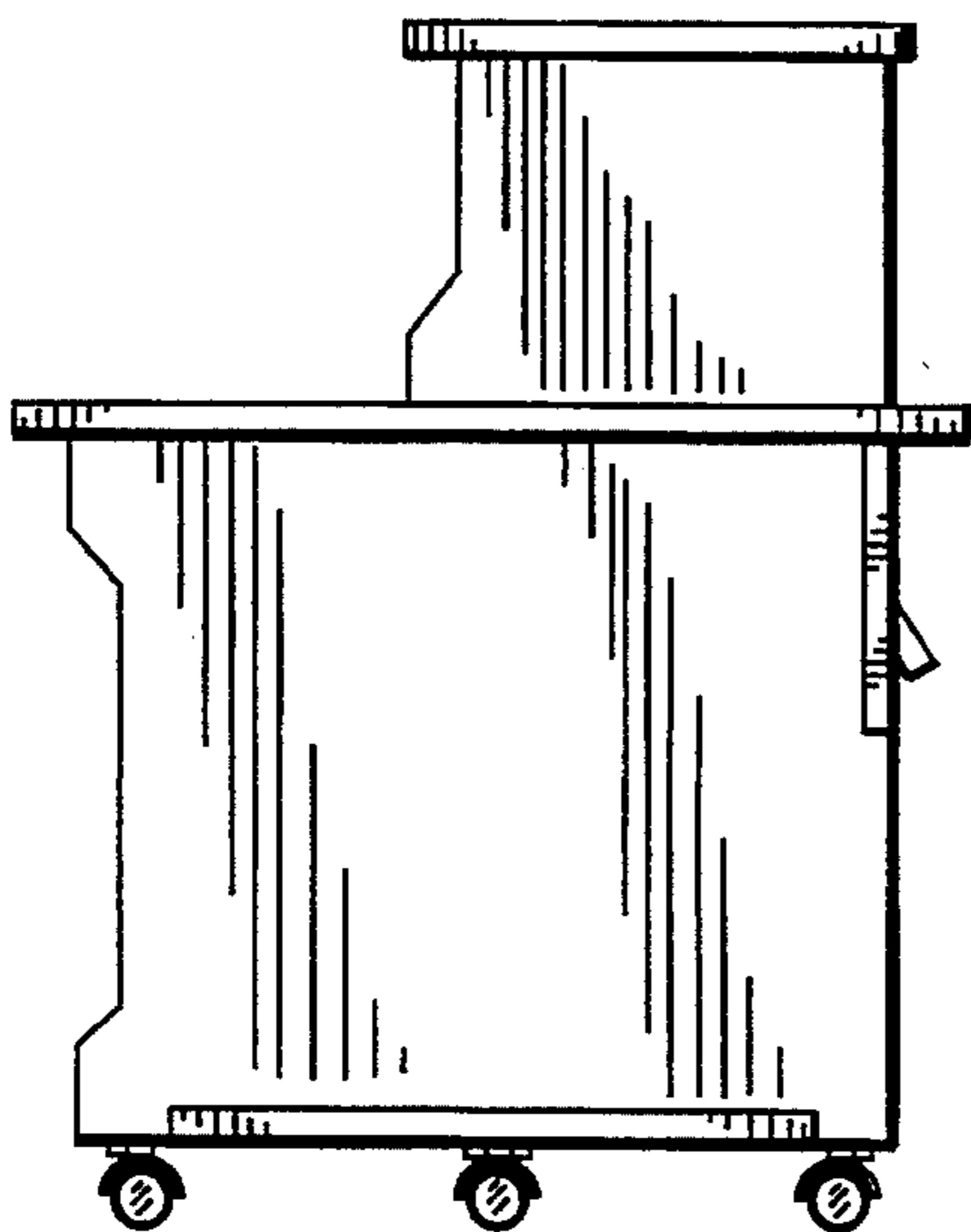


FIGURE 2.

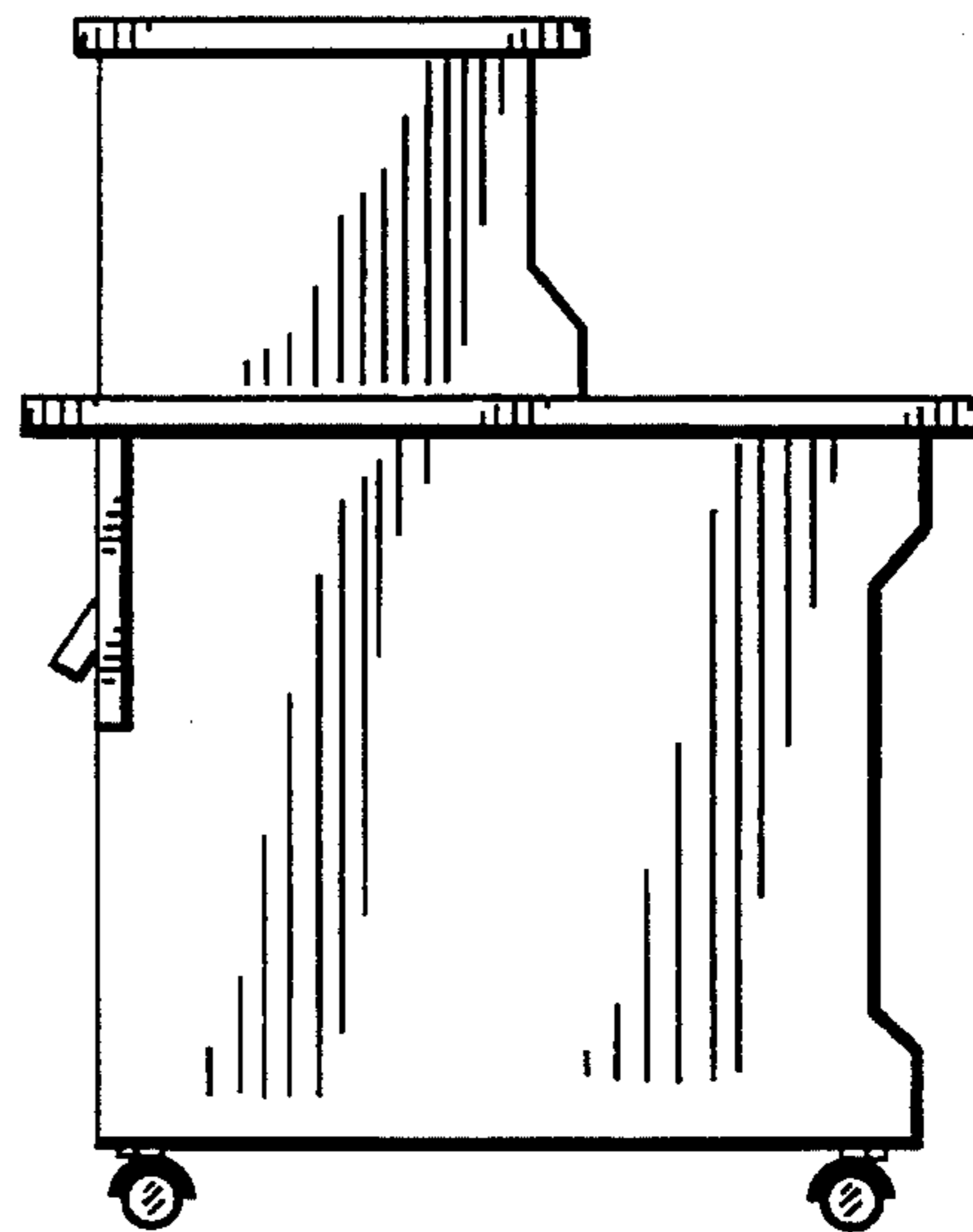


FIGURE 3.

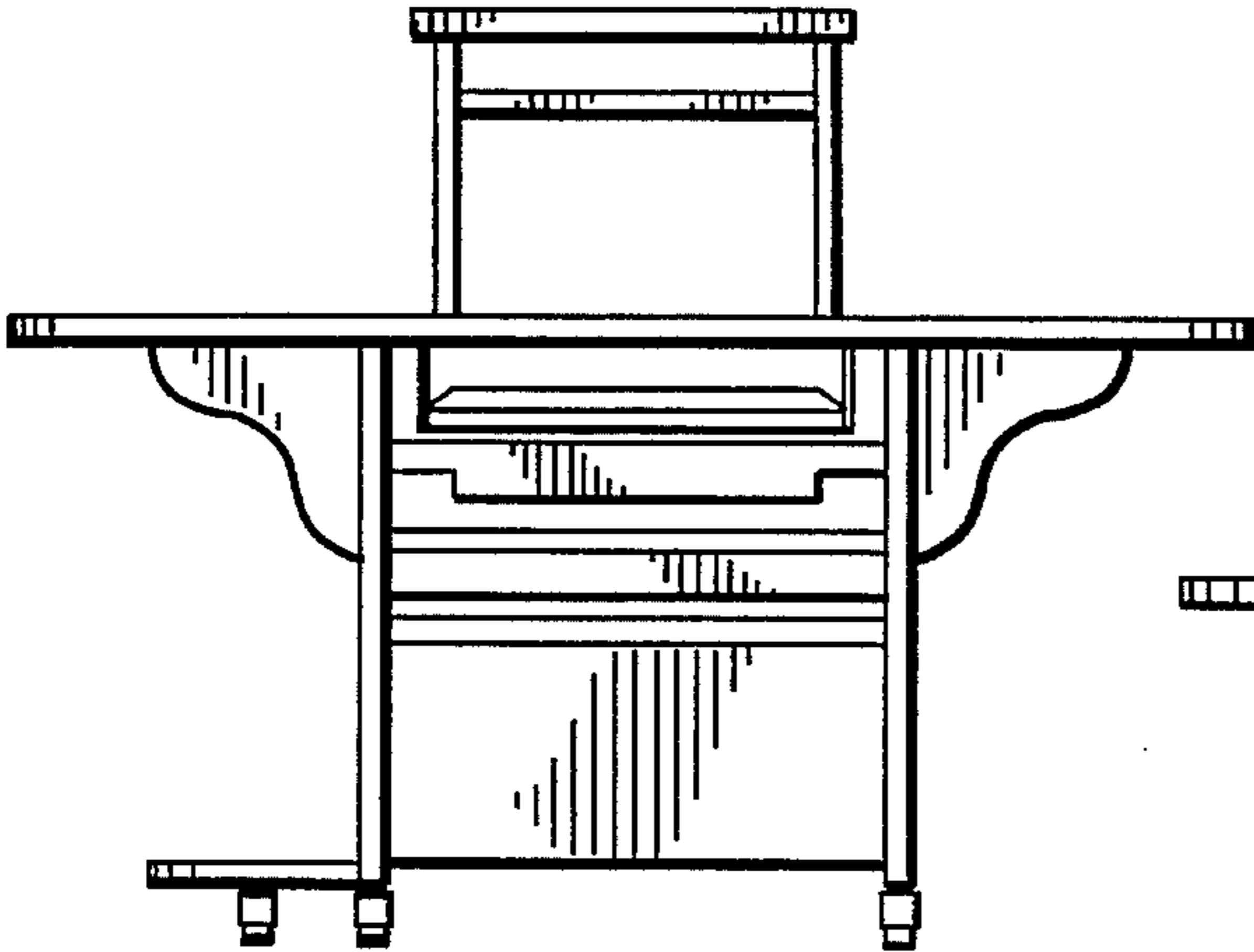


FIGURE 5.

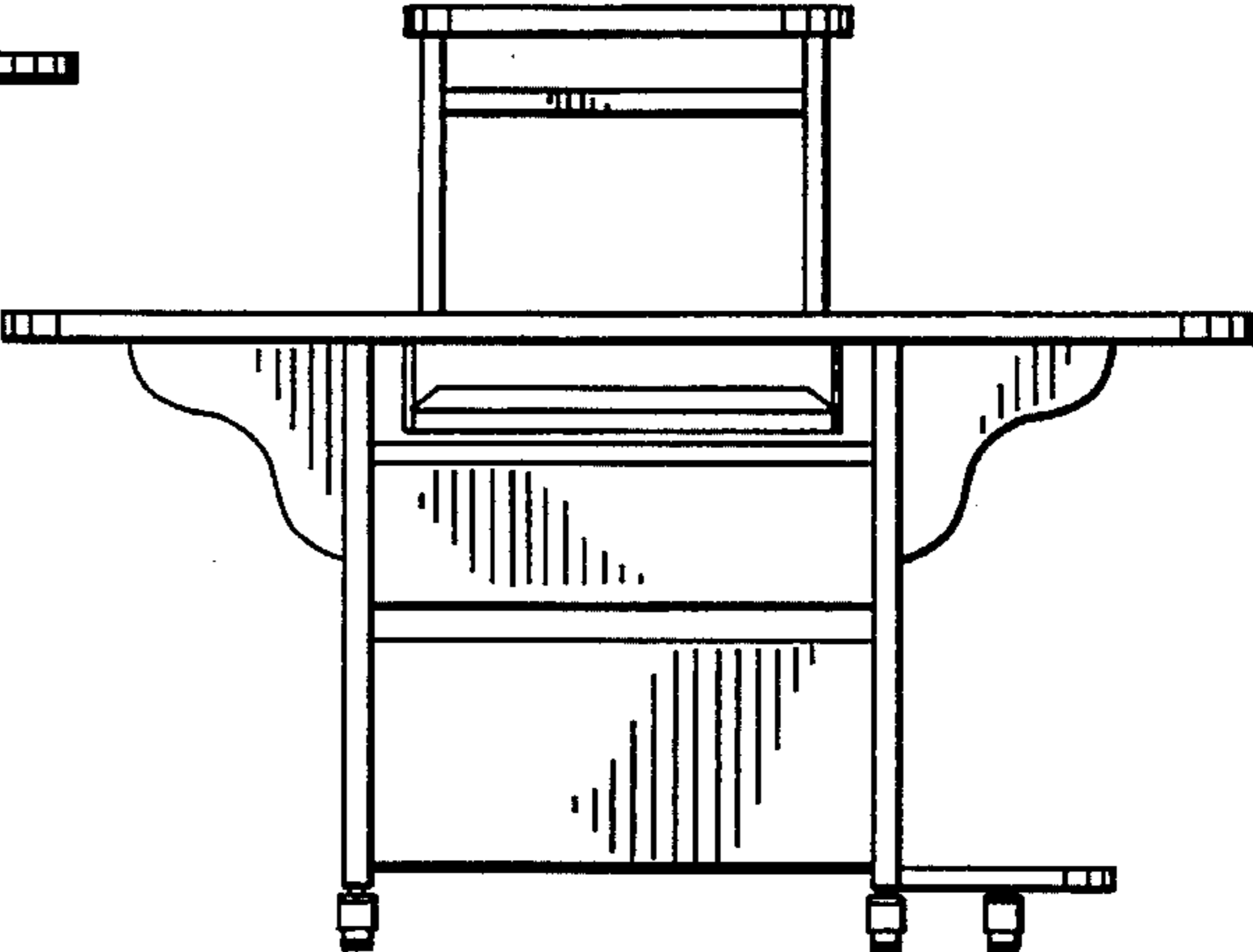


FIGURE 4.

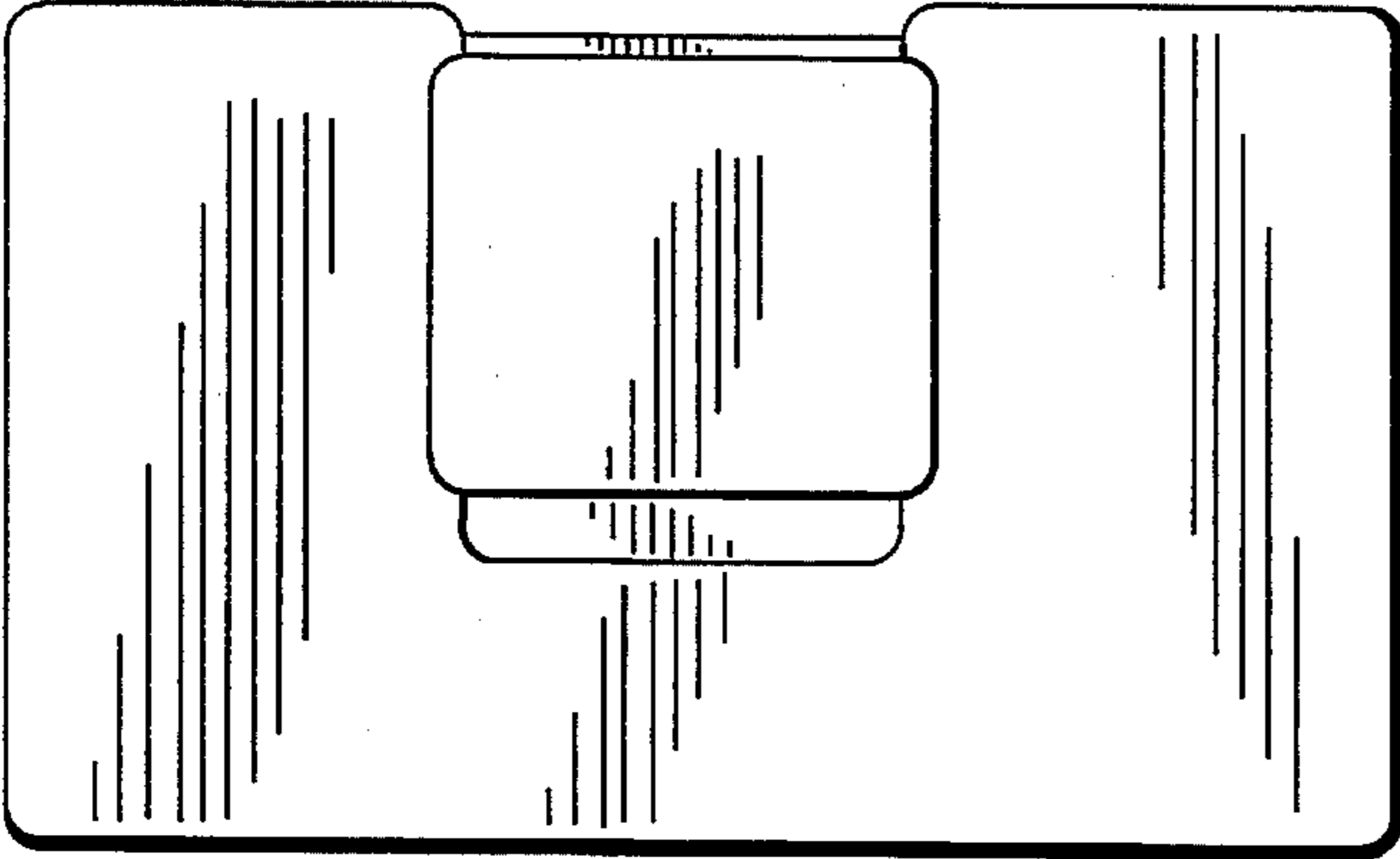


FIGURE 6.

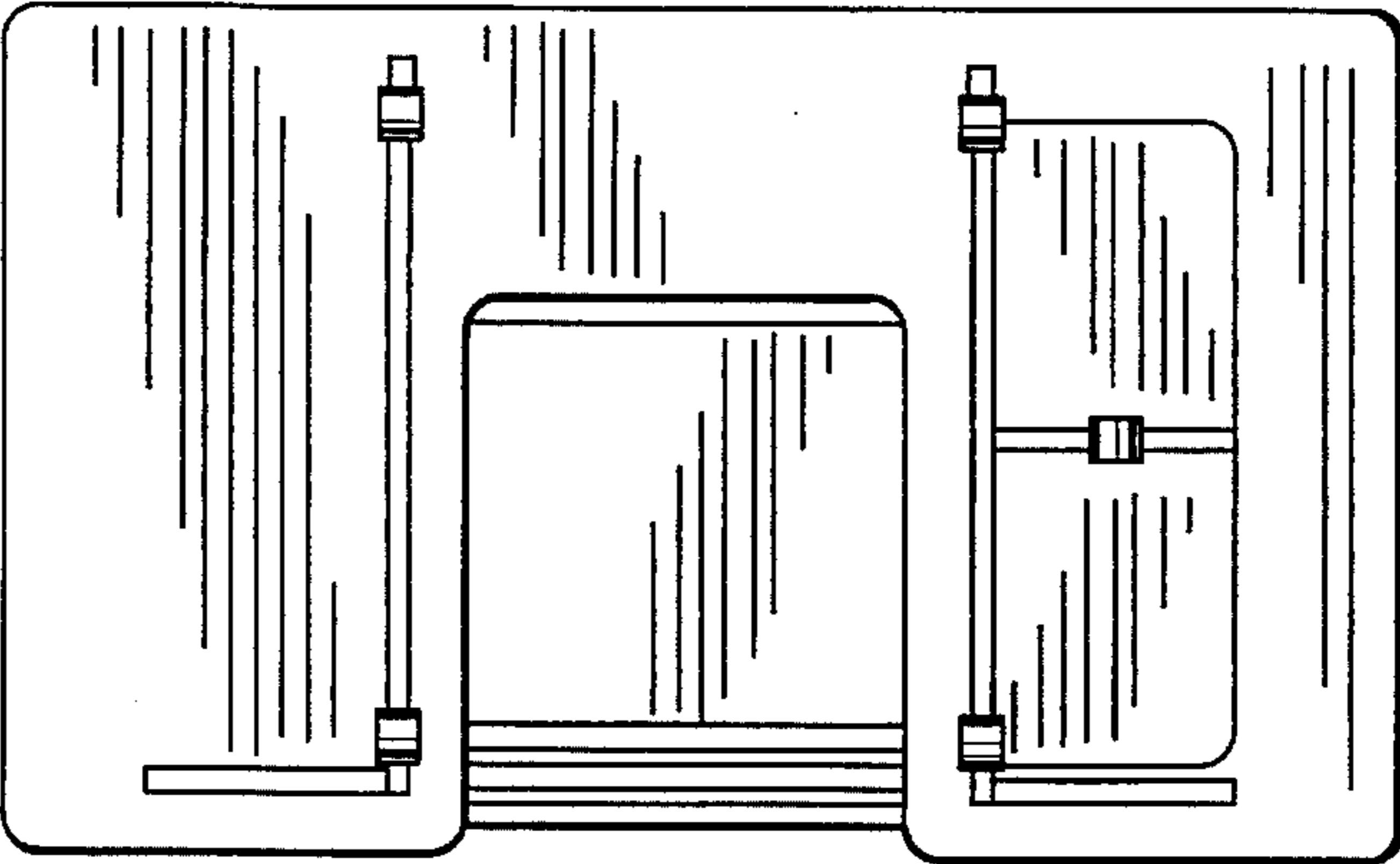


FIGURE 7.