



US00D368809S

# United States Patent [19]

[11] Patent Number: **Des. 368,809**

Fields

[45] Date of Patent: **\*\*Apr. 16, 1996**

[54] TAILGATE SEAT

D. 343,525 1/1994 Wright ..... D6/368  
D. 349,826 8/1994 Homann ..... D6/500

[76] Inventor: **Wint Fields**, 404 Binford St.,  
Crawfordsville, Ind. 47933

*Primary Examiner*—Gary D. Watson  
*Attorney, Agent, or Firm*—Harold H. Dutton, Jr.

[\*\*] Term: **14 Years**

[57] **CLAIM**

[21] Appl. No.: **36,677**

The ornamental design for a tailgate seat, as shown and described.

[22] Filed: **Mar. 24, 1995**

[52] U.S. Cl. .... **D6/368; D6/374**

### DESCRIPTION

[58] Field of Search ..... D6/334, 335, 336,  
D6/356, 368, 374, 375, 500, 501, 502;  
297/352, 377

FIG. 1 is a perspective view of a tailgate seat showing my new design;

FIG. 2 is a rear view thereof;

FIG. 3 is a left side view thereof in a folded state;

FIG. 4 is a right side view thereof;

FIG. 5 is a top view thereof; and,

FIG. 6 is a bottom view thereof.

[56] **References Cited**

#### U.S. PATENT DOCUMENTS

D. 121,266 7/1940 Archer ..... D6/368  
D. 252,658 8/1979 Kressin ..... D6/368  
D. 280,054 8/1985 Pedersen ..... D6/334 X

**1 Claim, 4 Drawing Sheets**

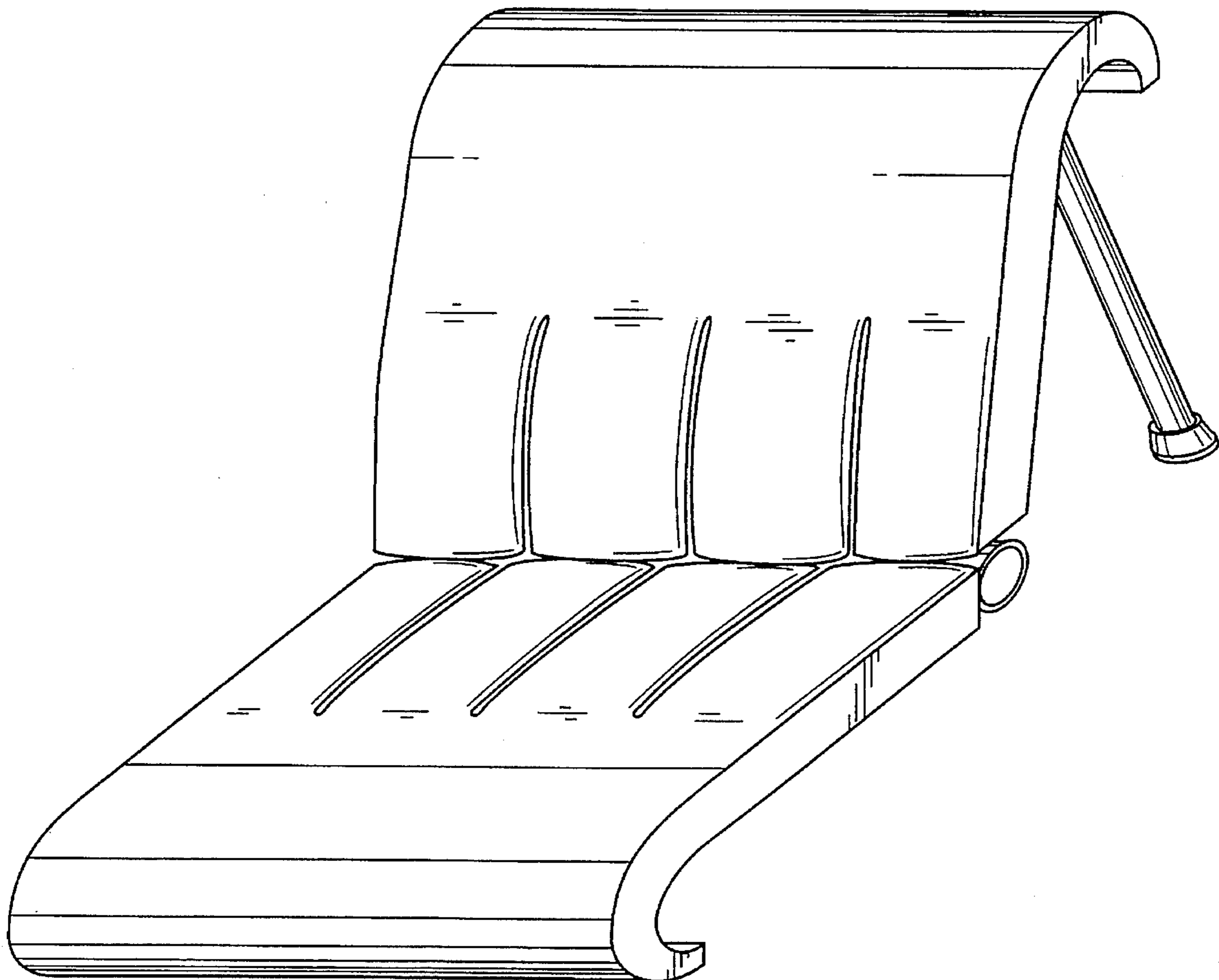
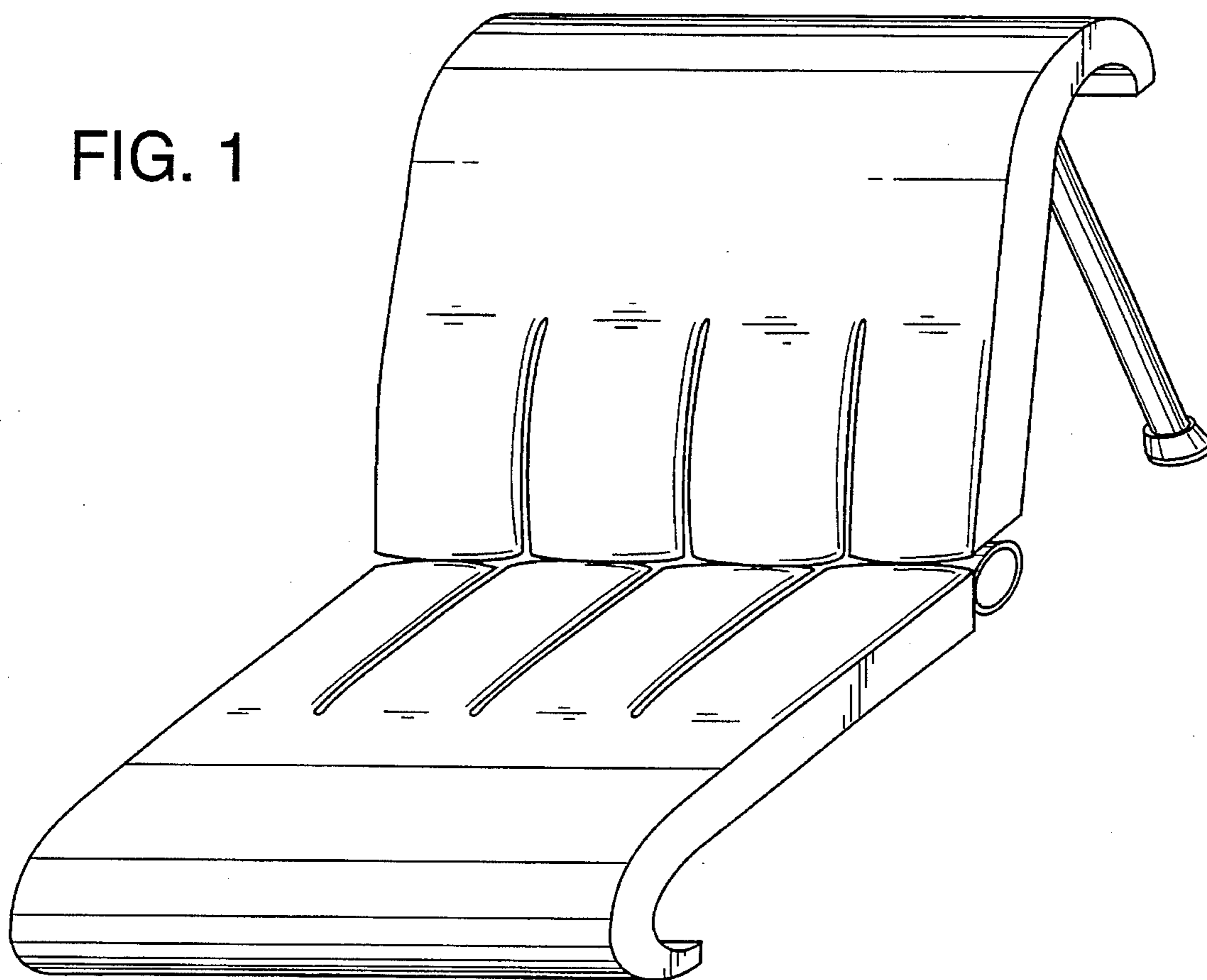


FIG. 1



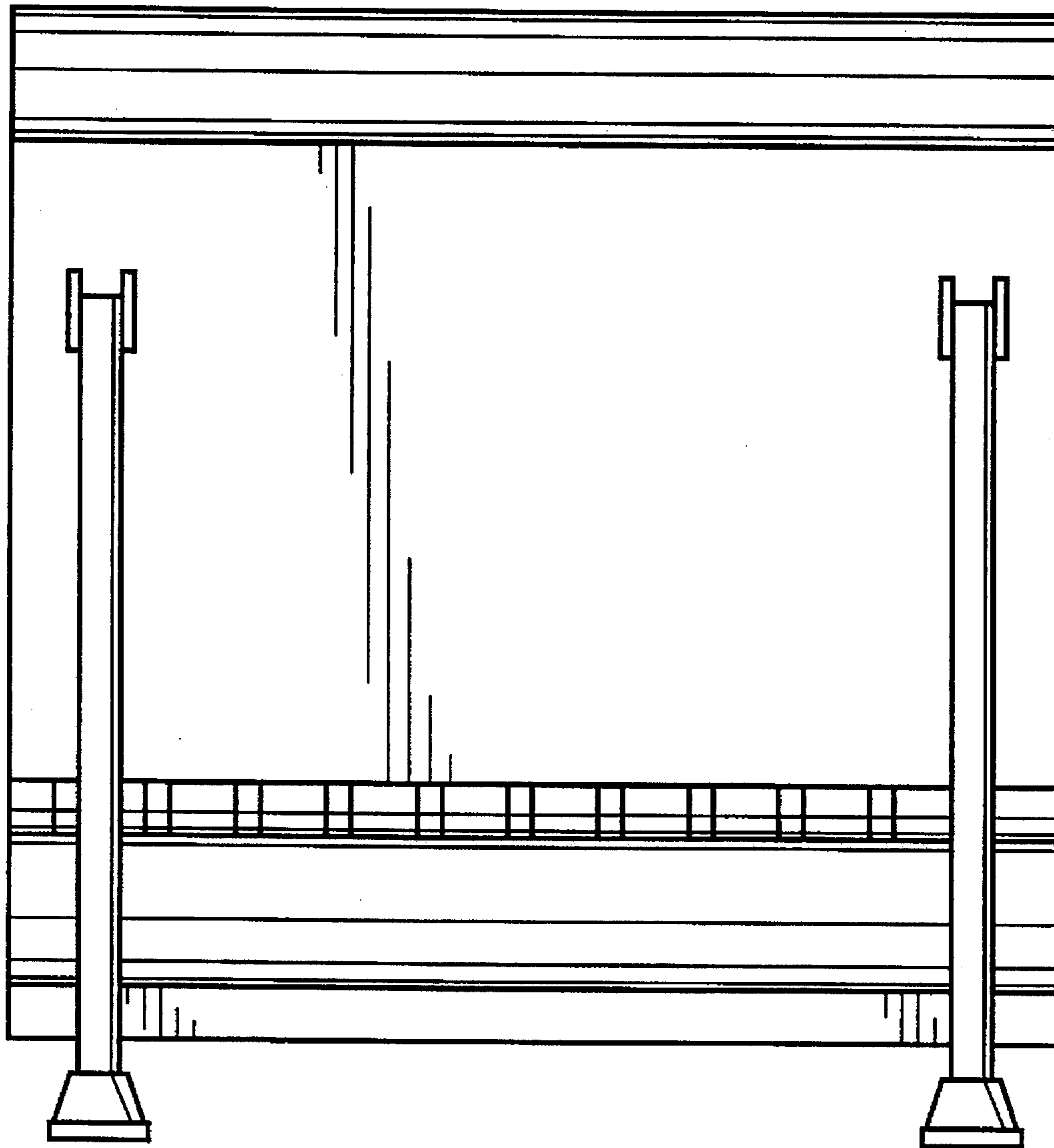


FIG. 2

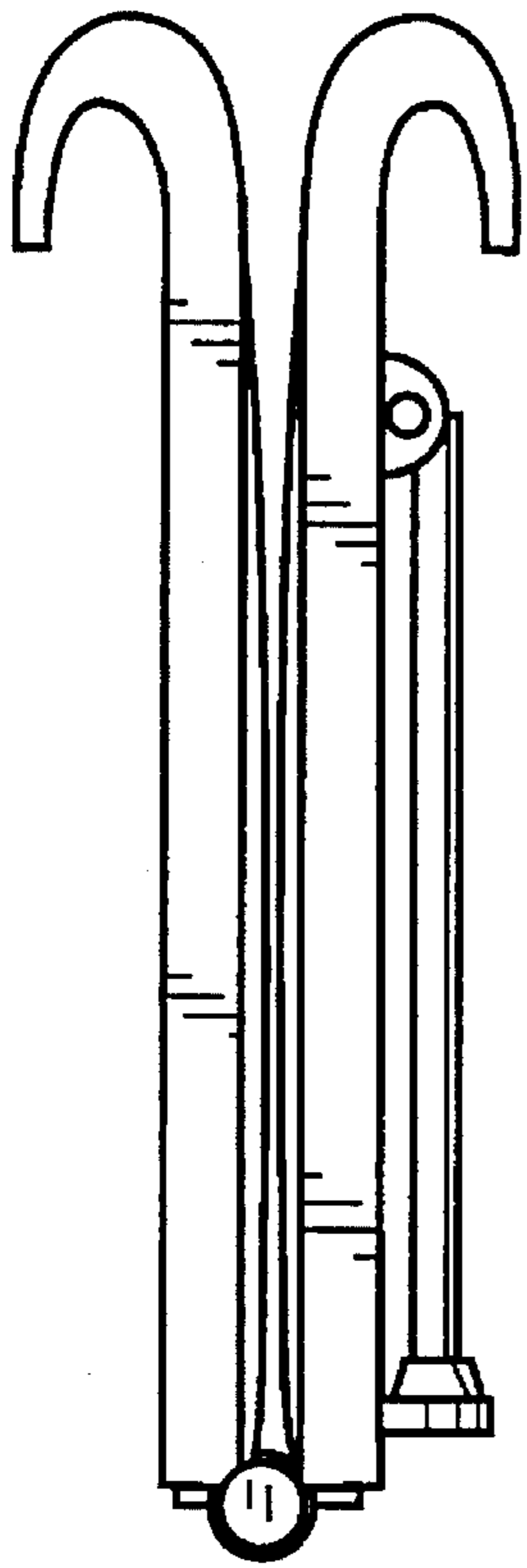


FIG. 3

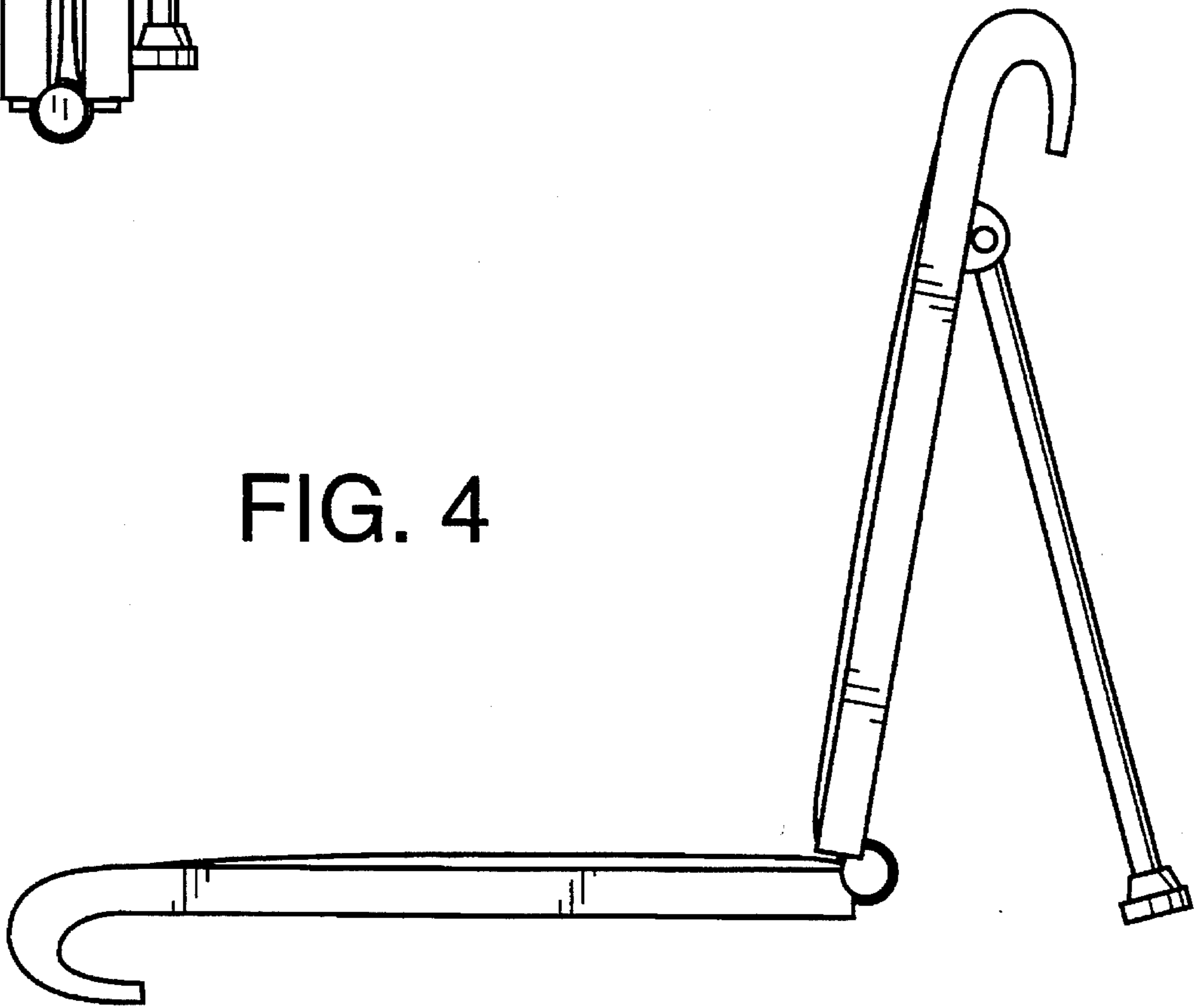


FIG. 4

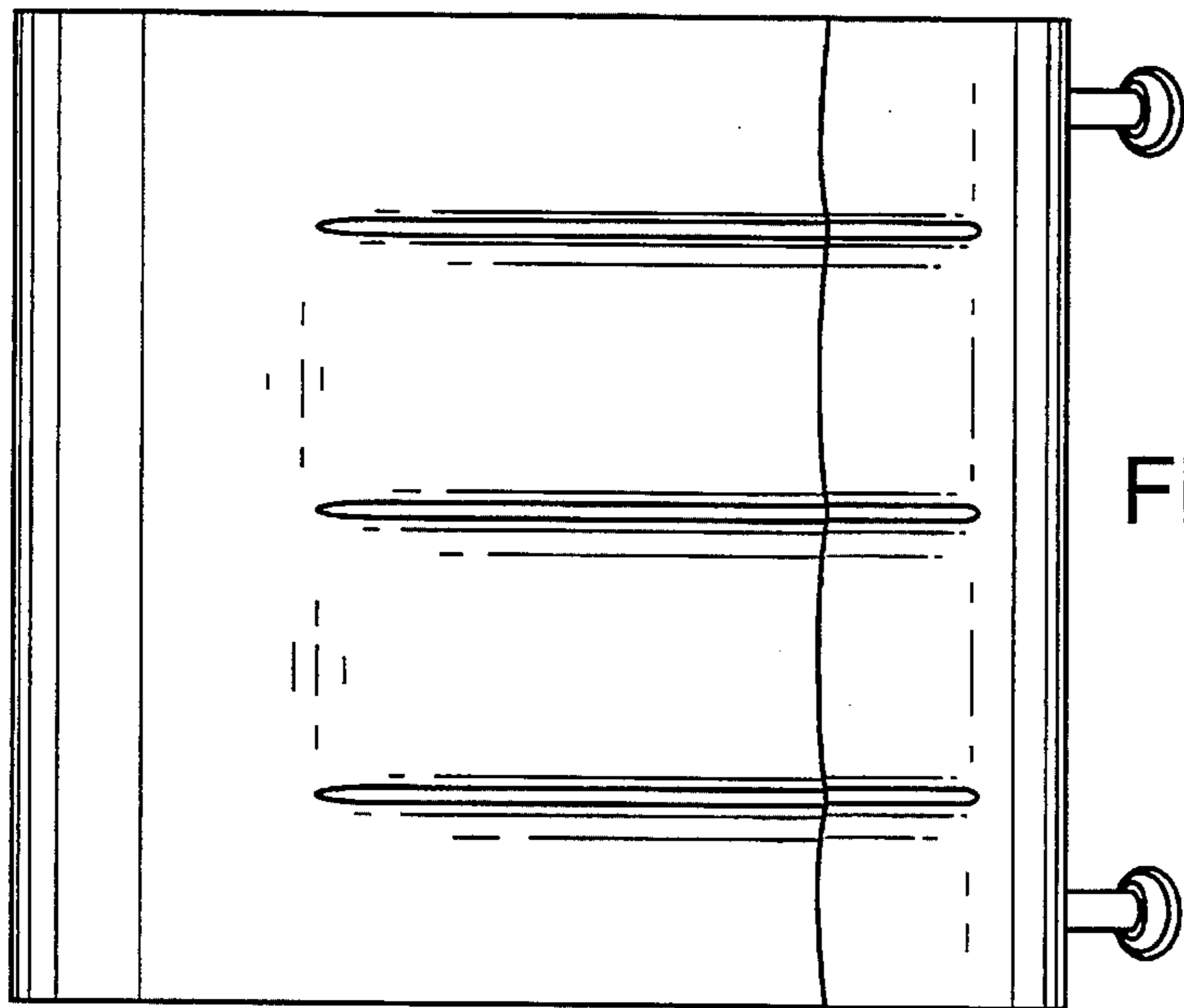


FIG. 5

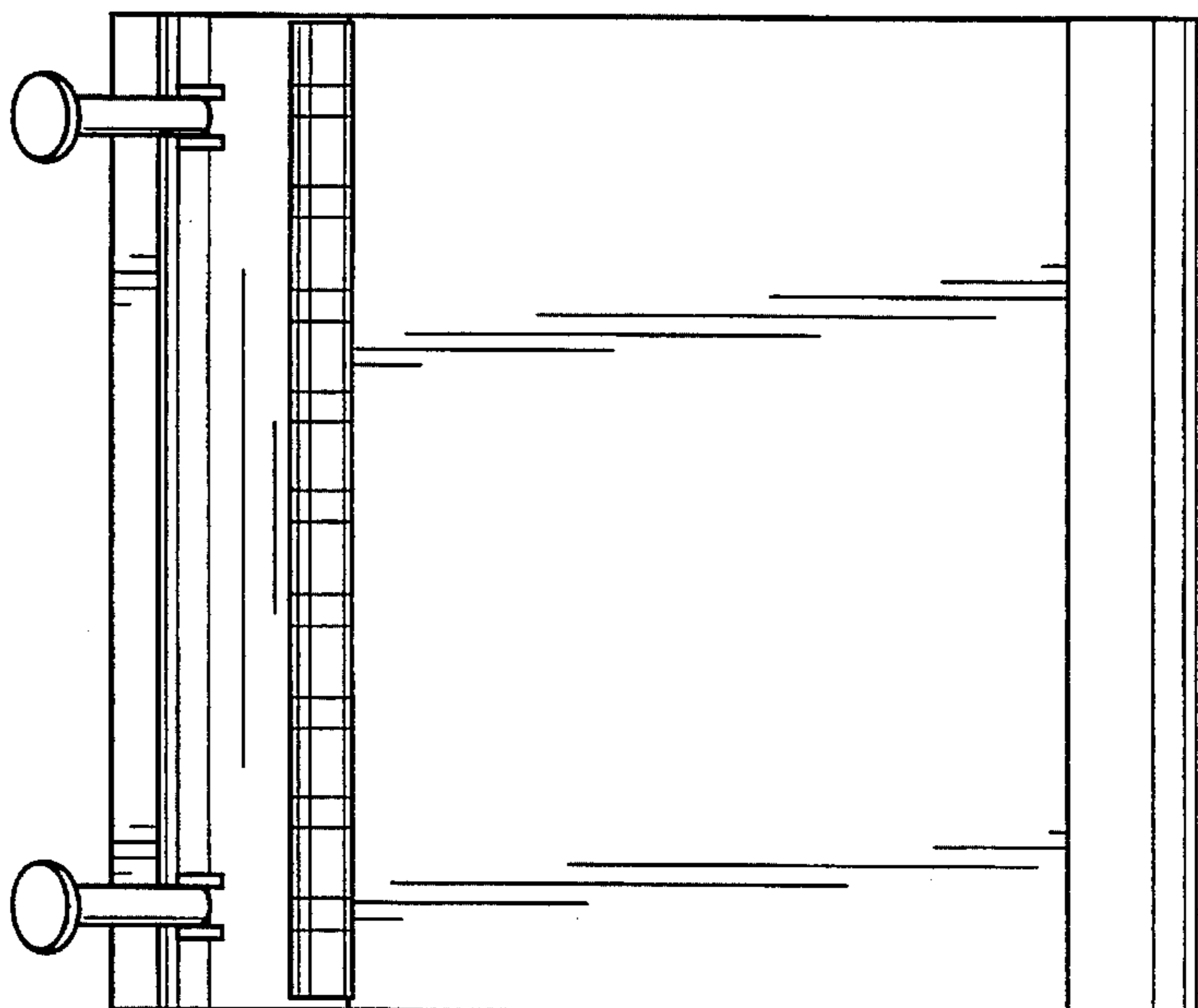


FIG. 6