



US00D368807S

# United States Patent [19] Noll

[11] **Patent Number: Des. 368,807**

[45] **Date of Patent: \*\*Apr. 16, 1996**

[54] **PICNIC TABLE**

357,590 4/1995 Noll ..... D6/337

[75] **Inventor: Ronald C. Noll, Shaker Heights, Ohio**

*Primary Examiner*—Janice E. Seeger  
*Attorney, Agent, or Firm*—Pearne, Gordon, McCoy & Granger

[73] **Assignee: Cardinal American Corporation, Cleveland, Ohio**

[\*\*] **Term: 14 Years**

[57] **CLAIM**

The ornamental design for a picnic table, as shown and described.

[21] **Appl. No.: 29,325**

[22] **Filed: Oct. 3, 1994**

**DESCRIPTION**

[52] **U.S. Cl. .... D6/337**

[58] **Field of Search ..... D6/335-338; 297/157.1, 297/158.1, 158.2, 158.3, 158.4, 158.5, 159.1**

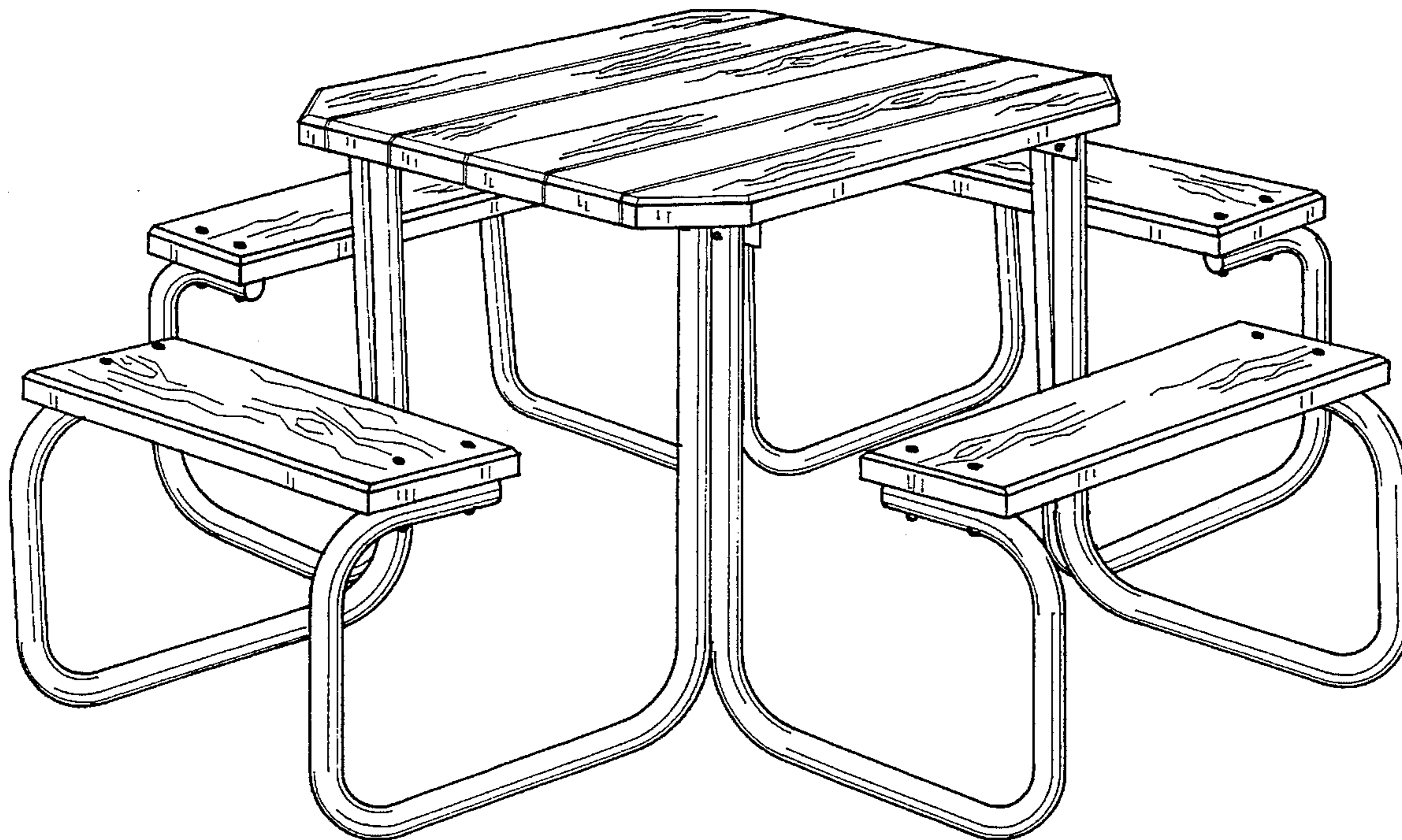
FIG. 1 is a perspective view of a picnic table, showing my new design;  
FIG. 2 is a front elevational view thereof;  
FIG. 3 is a top plan view thereof;  
FIG. 4 is a right side elevational view thereof, the left side elevational view being identical; and,  
FIG. 5 is a bottom plan view thereof.

[56] **References Cited**

**U.S. PATENT DOCUMENTS**

- D. 166,725 5/1952 Watson ..... D6/337
- D. 327,778 7/1992 Crawford ..... D6/337
- D. 348,989 7/1994 Pomeroy et al. .... D6/337

**1 Claim, 3 Drawing Sheets**



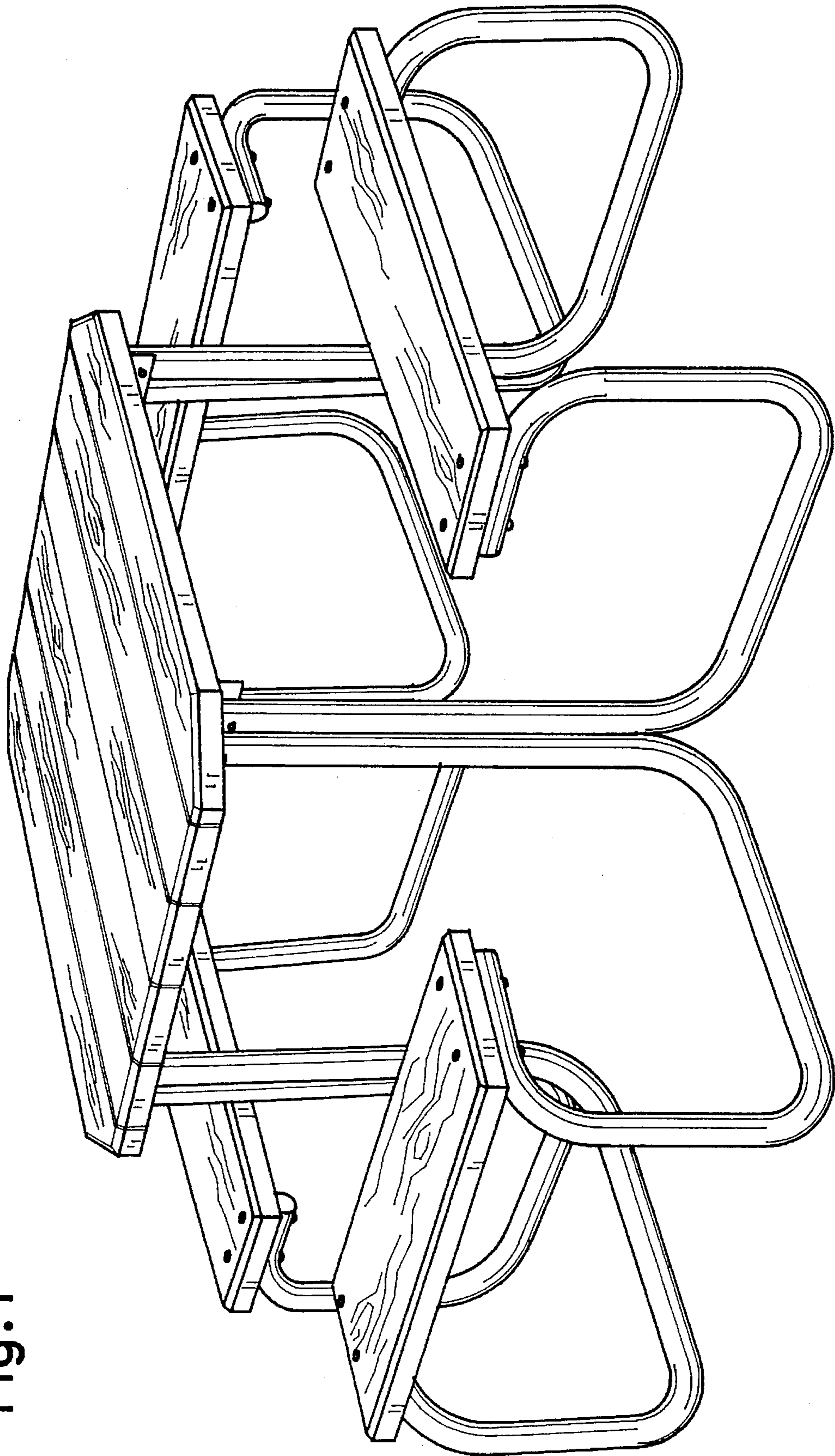


Fig. 1

Fig.3

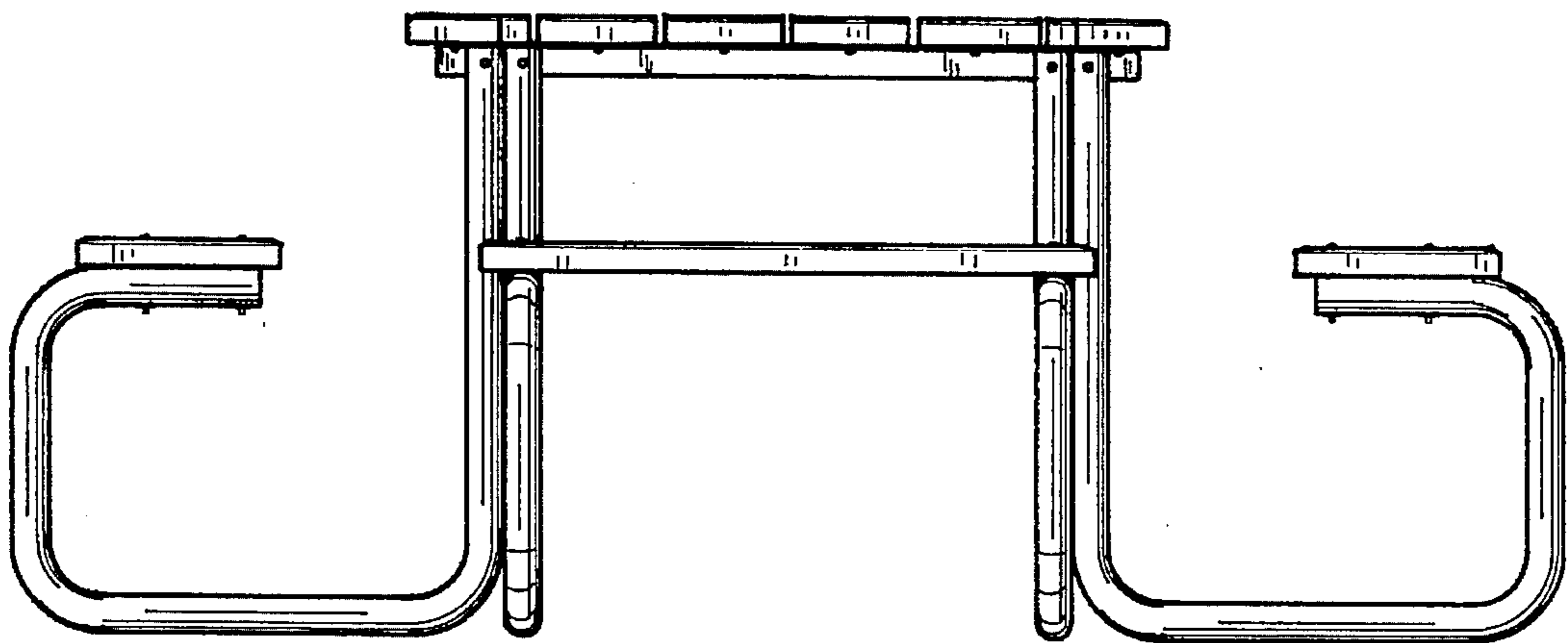
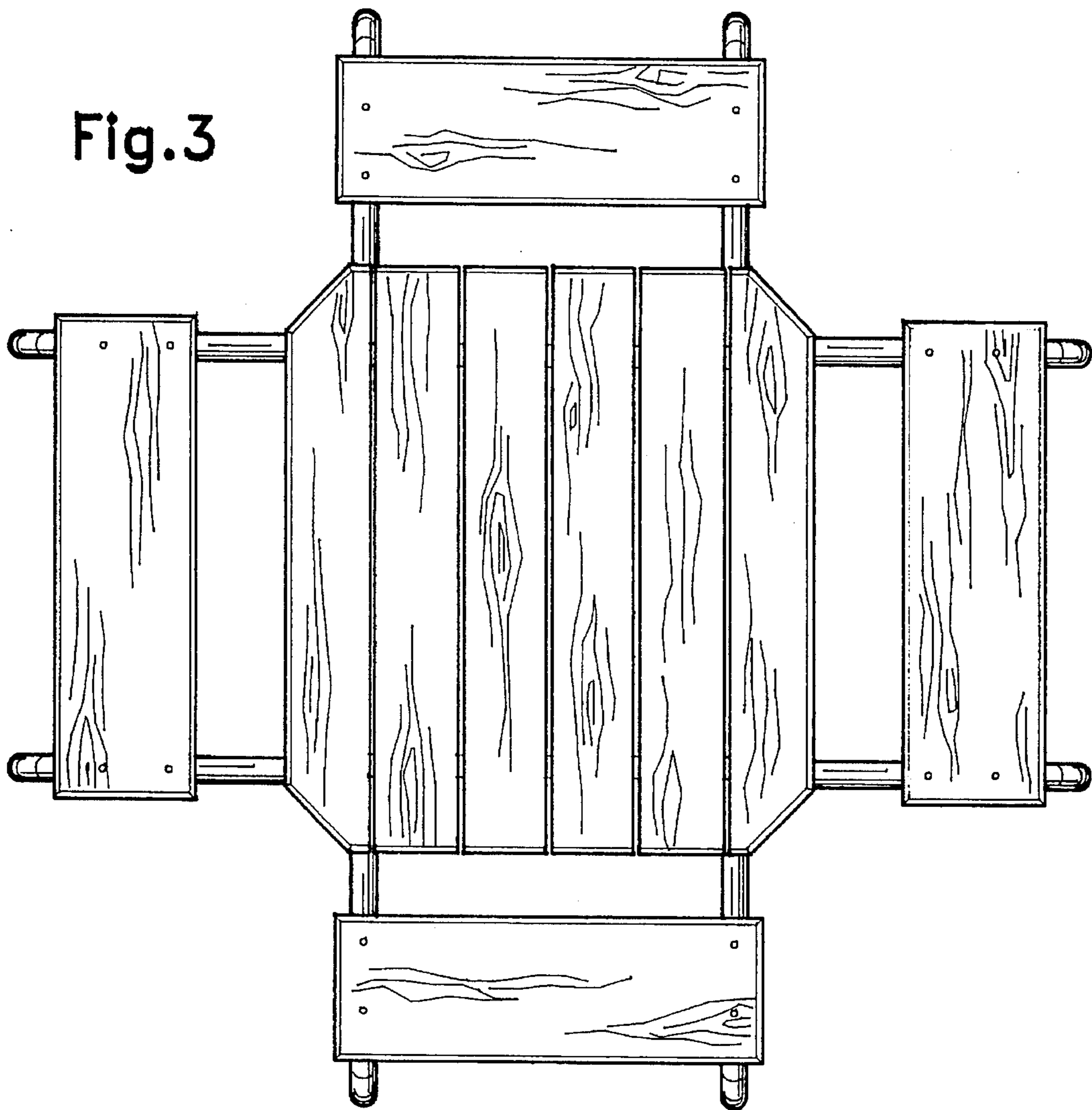


Fig.2



Fig.5

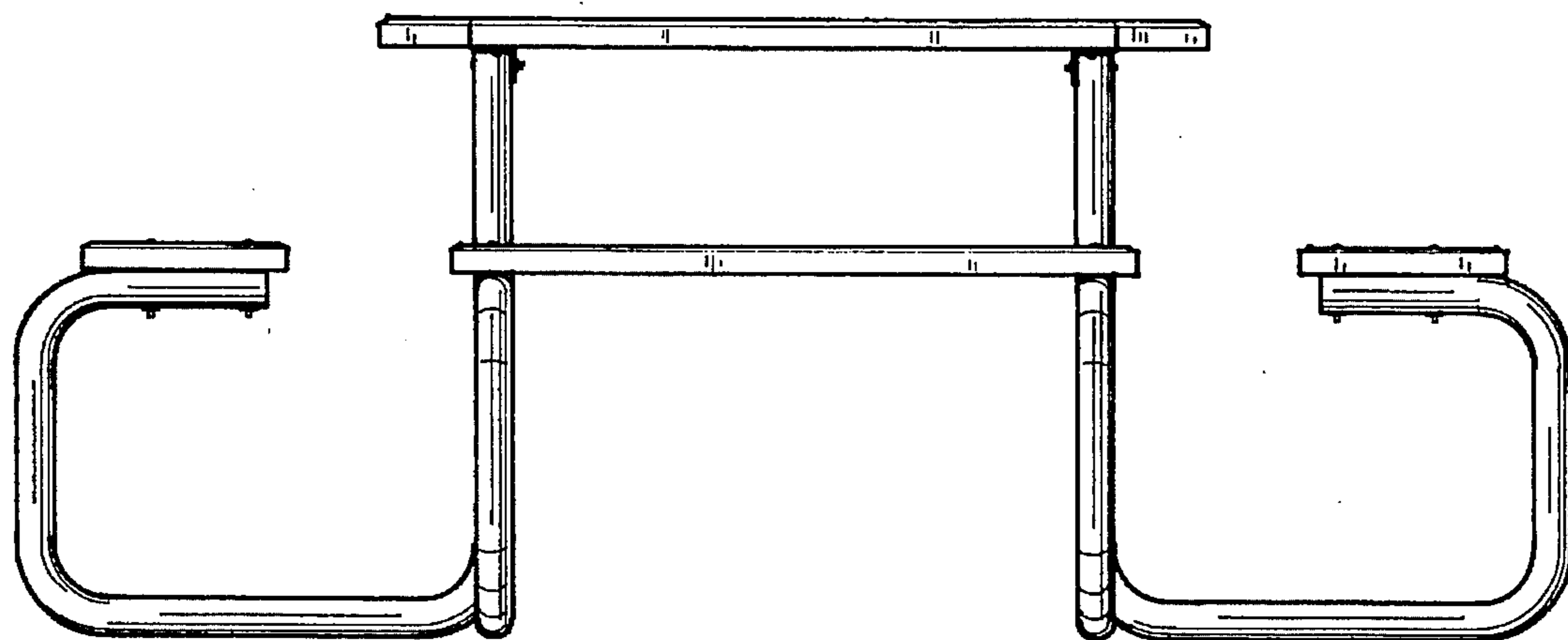
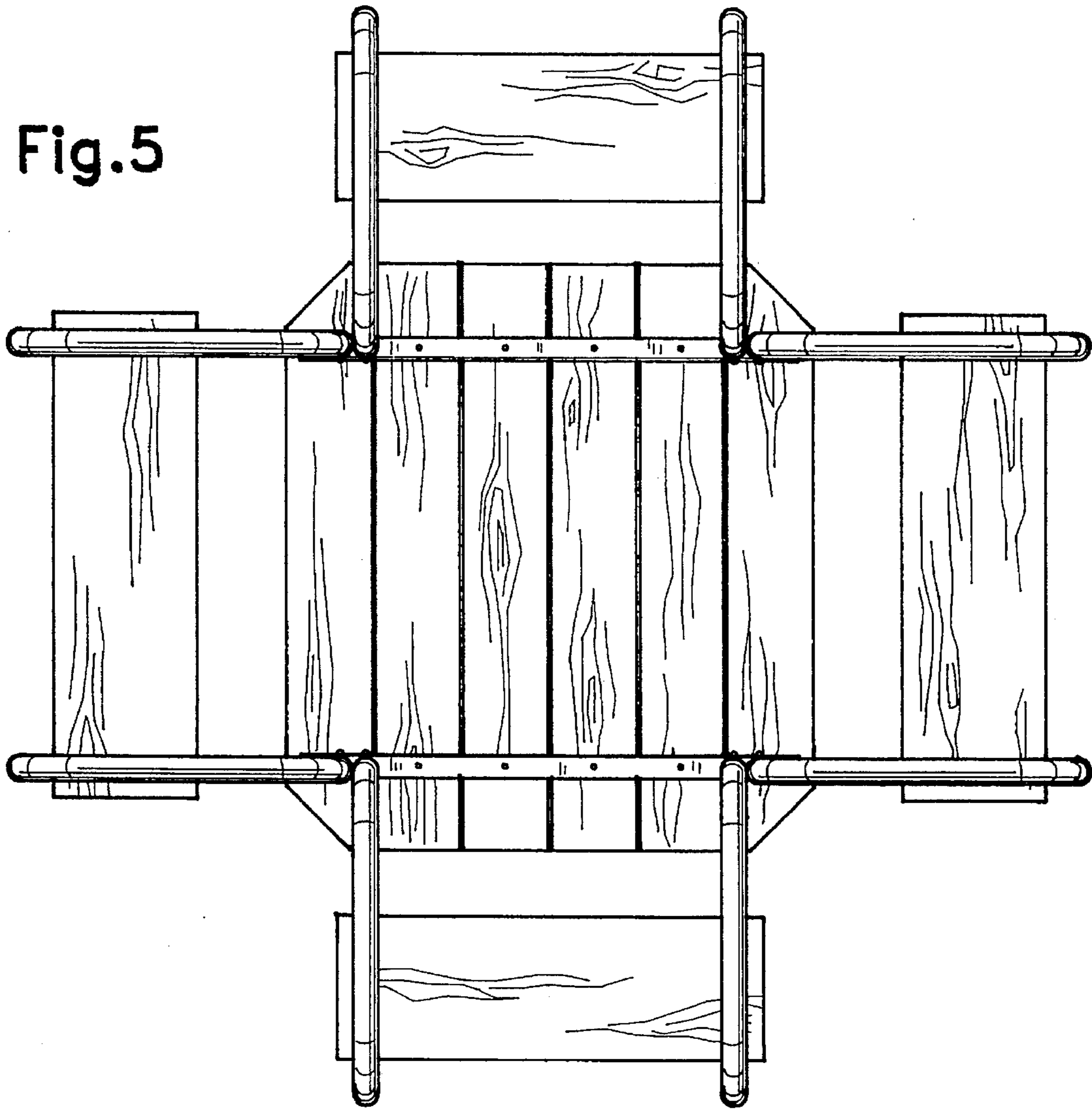


Fig.4