



US00D368806S

United States Patent [19]
Sparaco

[11] **Patent Number: Des. 368,806**

[45] **Date of Patent: **Apr. 16, 1996**

[54] **HAT BILL CUPPING DEVICE**

5,161,719 11/1992 Otteson et al. .

[76] Inventor: **Richie A. Sparaco**, 5929 Freds Oak Rd., Burke, Va. 22015

Primary Examiner—Antoine Duval Davis
Attorney, Agent, or Firm—Richard C. Litman

[**] Term: **14 Years**

[57] **CLAIM**

[21] Appl. No.: **38,755**

The ornamental design for a hat bill cupping device, as shown and described.

[22] Filed: **May 11, 1995**

DESCRIPTION

[52] U.S. Cl. **D6/317**

[58] Field of Search D6/315, 317; D15/199; 34/103; 223/14, 24, 25, 66, 84, 85

FIG. 1 is a top front perspective view of a hat bill cupping device showing my new design;
FIG. 2 is a front elevational view thereof;
FIG. 3 is a top view thereof;
FIG. 4 is a rear elevational view thereof;
FIG. 5 is a right side elevational view with the left side being a mirror image thereof; and,
FIG. 6 is a bottom view thereof.

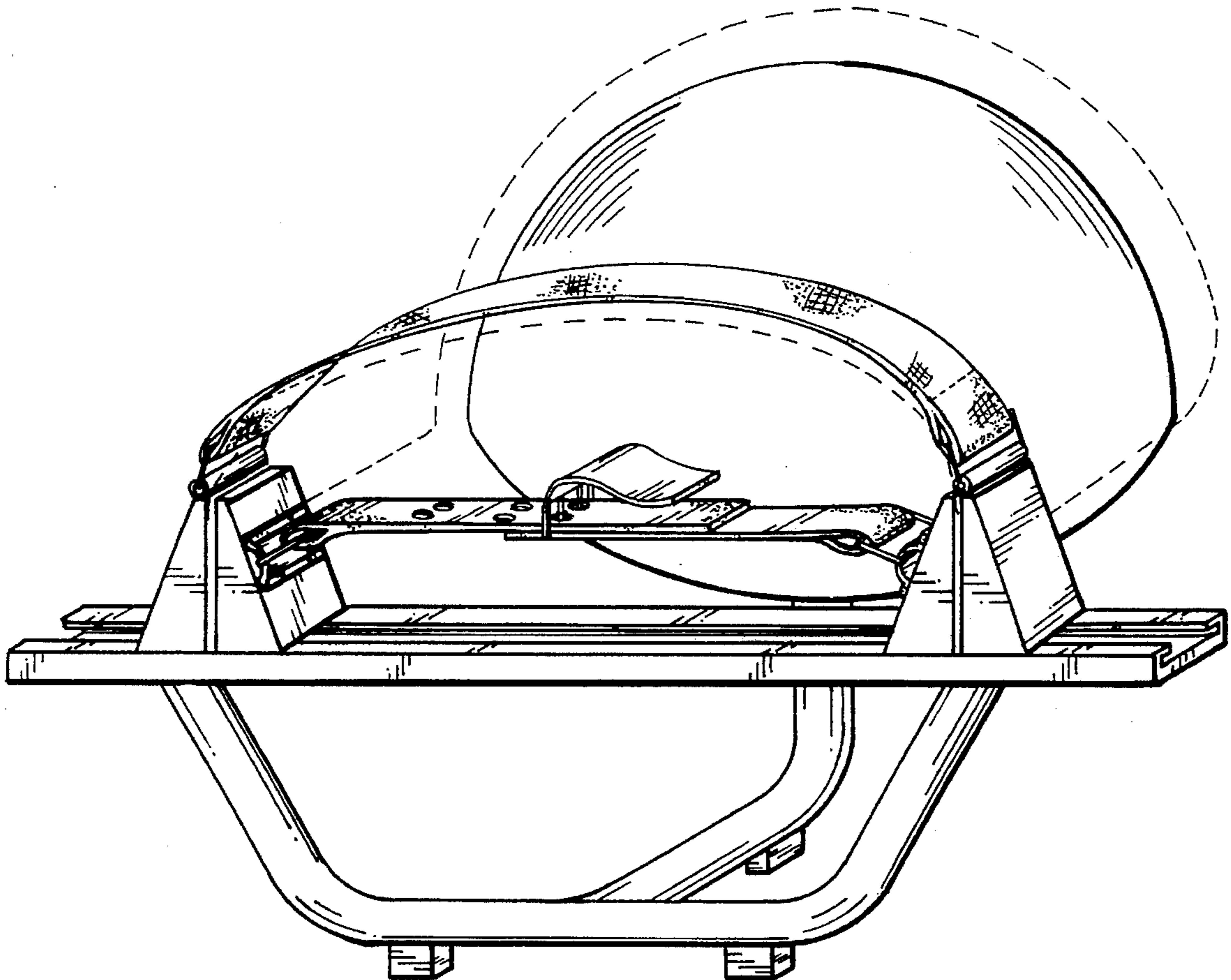
[56] **References Cited**

U.S. PATENT DOCUMENTS

1,546,757	7/1925	Segschneider .	
4,805,782	2/1989	Hale et al. .	
4,927,063	5/1990	Fricano .	
5,012,531	5/1991	Schoonover .	
5,094,369	3/1992	Thompson	223/84 X
5,136,589	11/1992	Biehl .	
5,148,954	9/1992	Meyers .	

The broken line showing of a hat including a bill is for illustrative purposes only and forms no part of the claimed design.

1 Claim, 6 Drawing Sheets



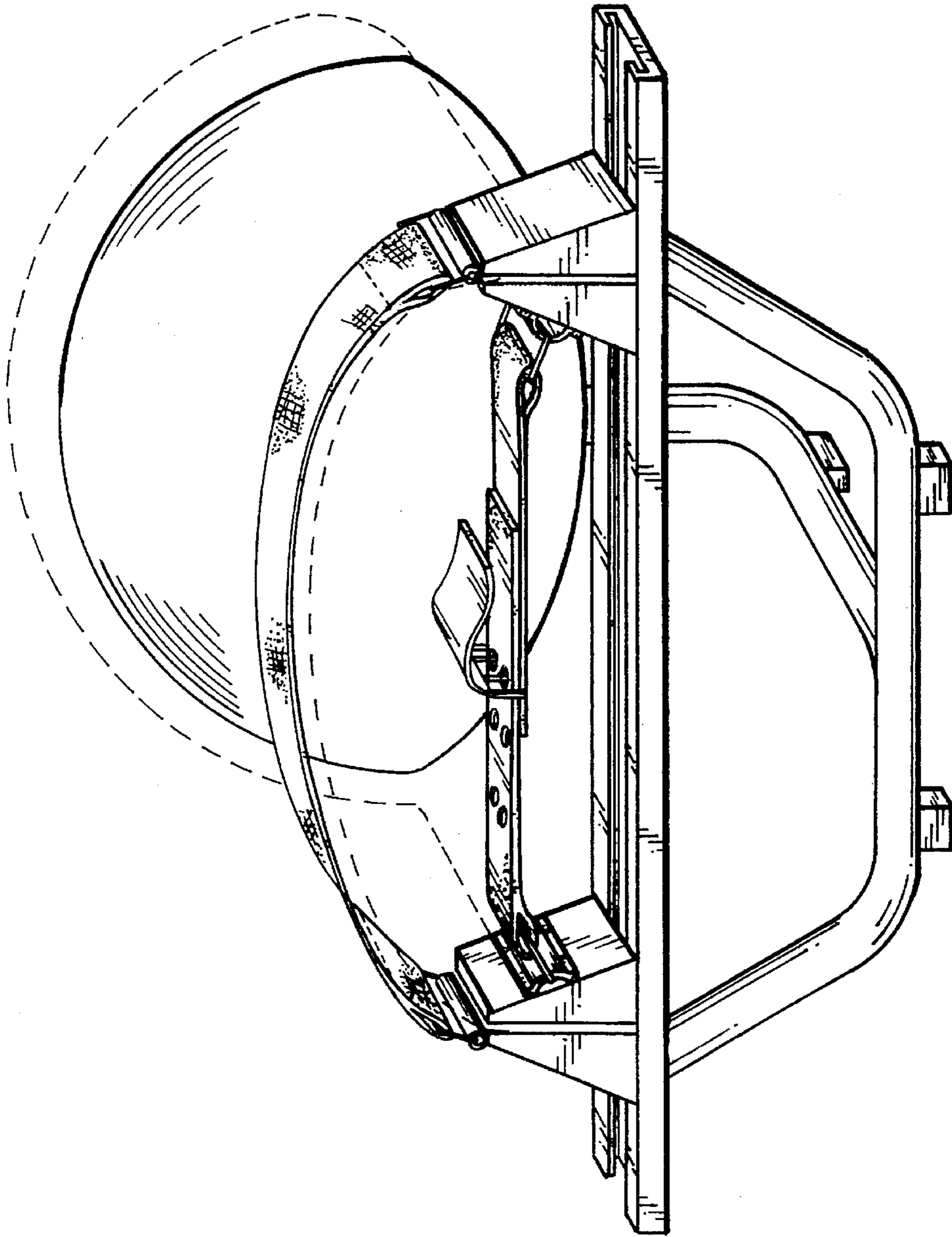


FIG. 1

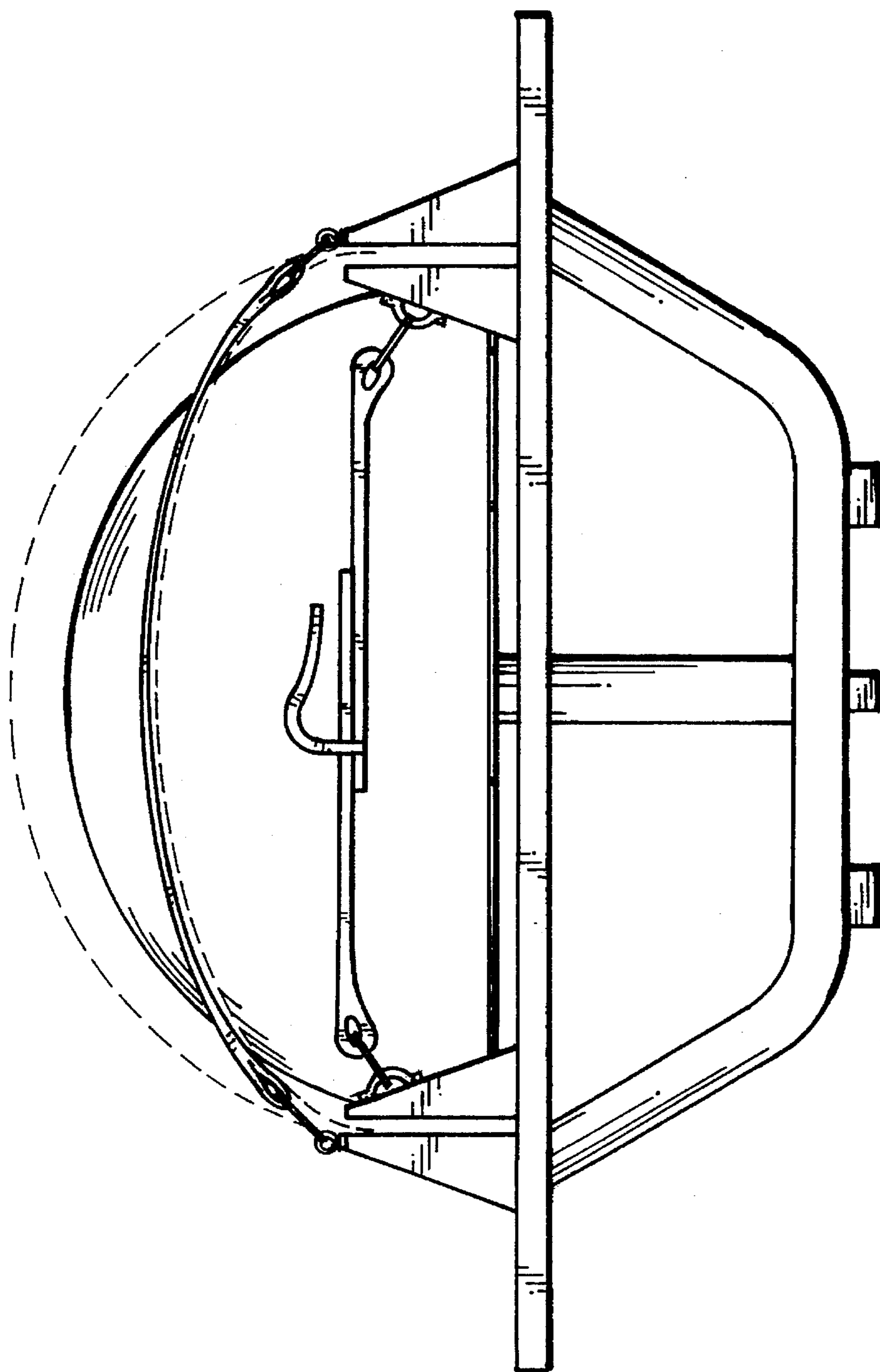


FIG. 2

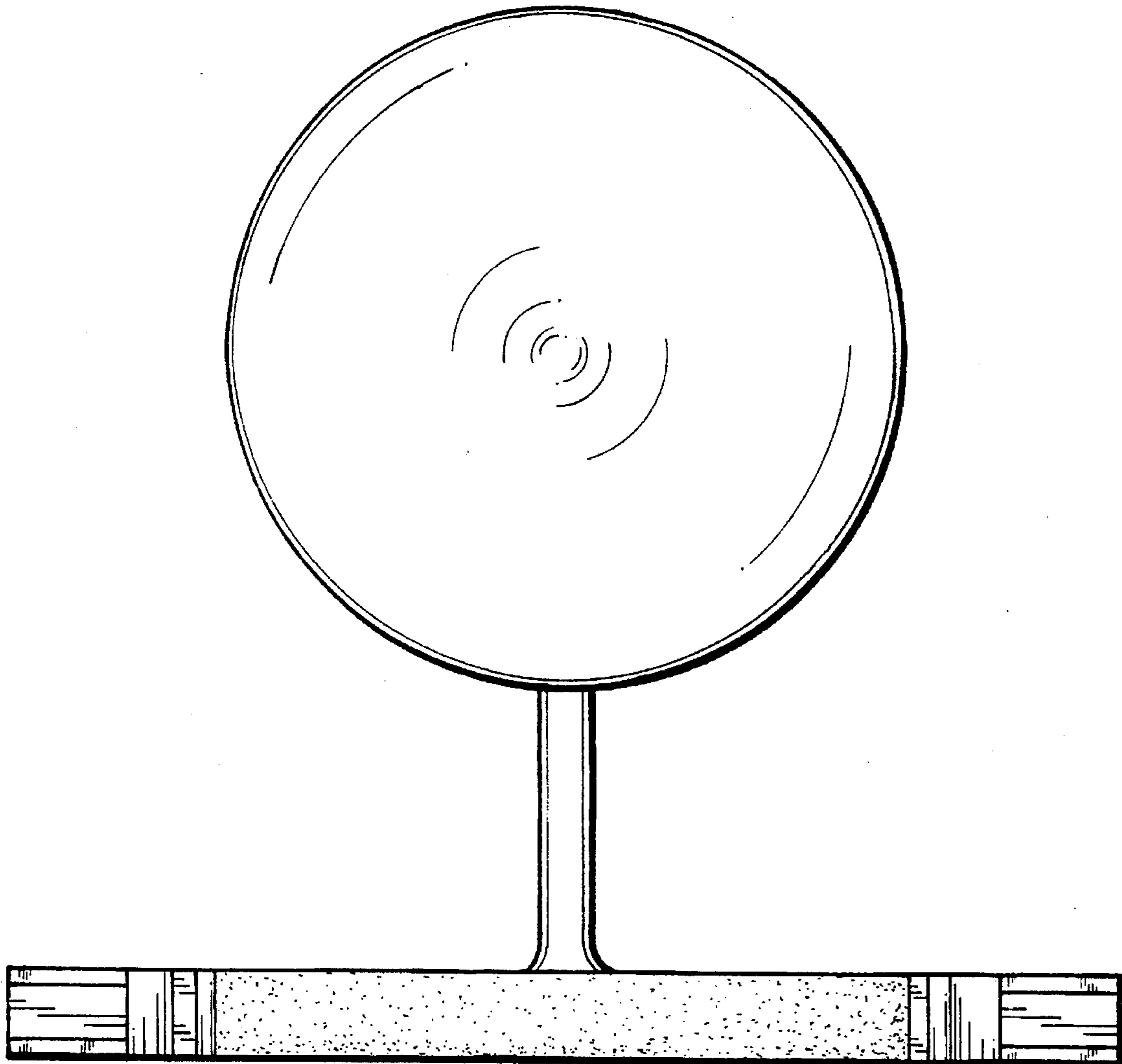


FIG. 3

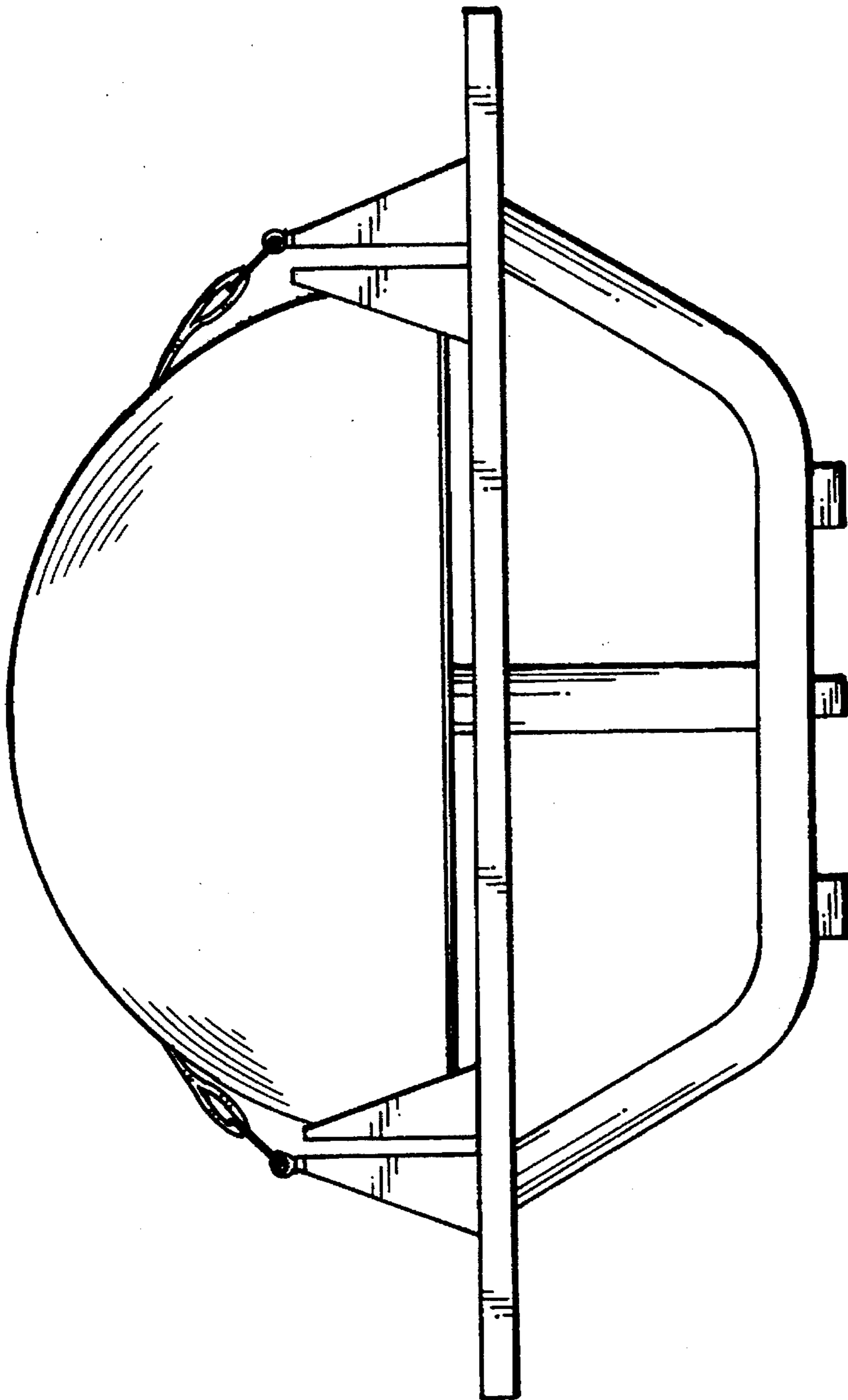


FIG. 4

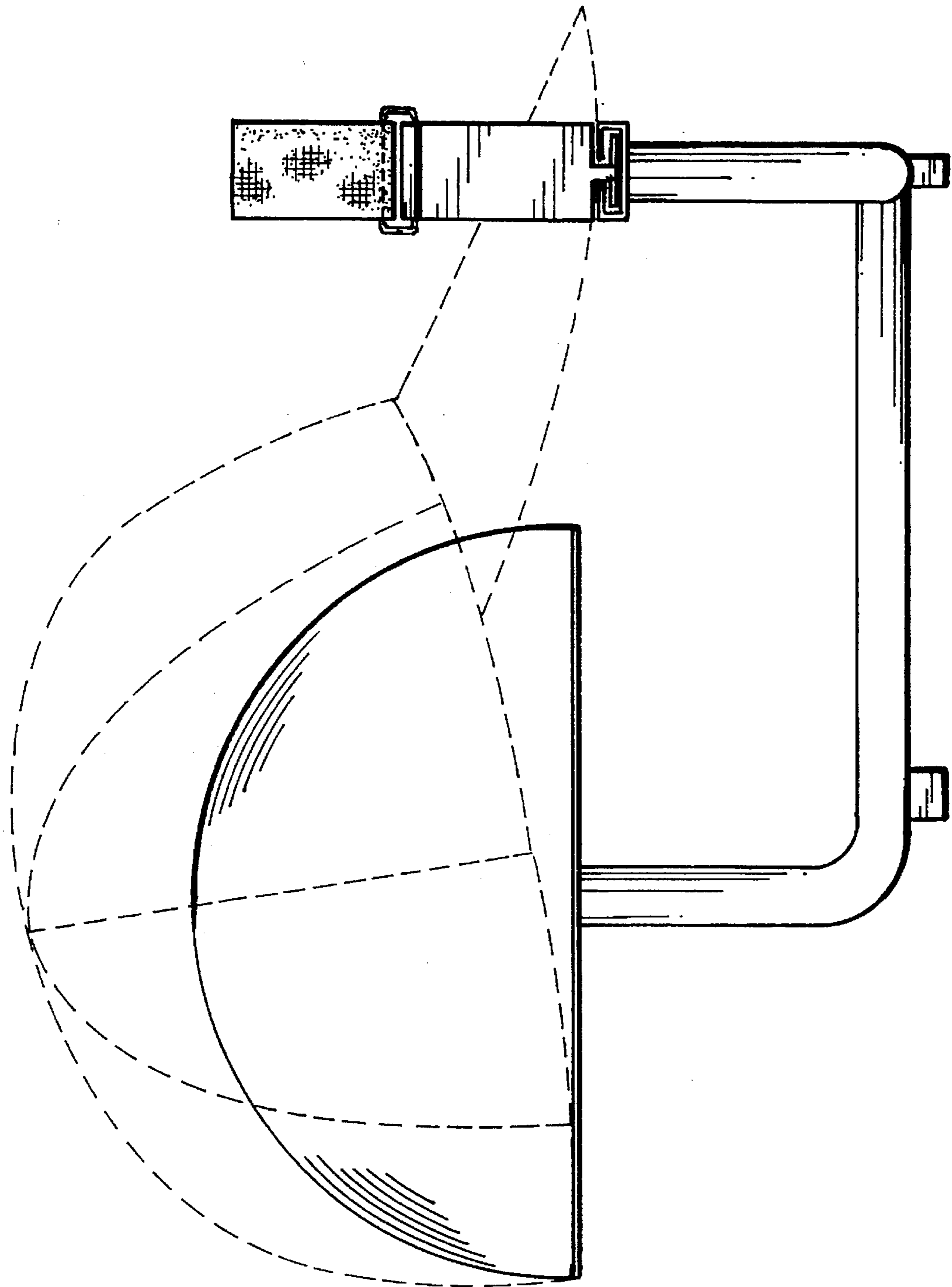


FIG. 5

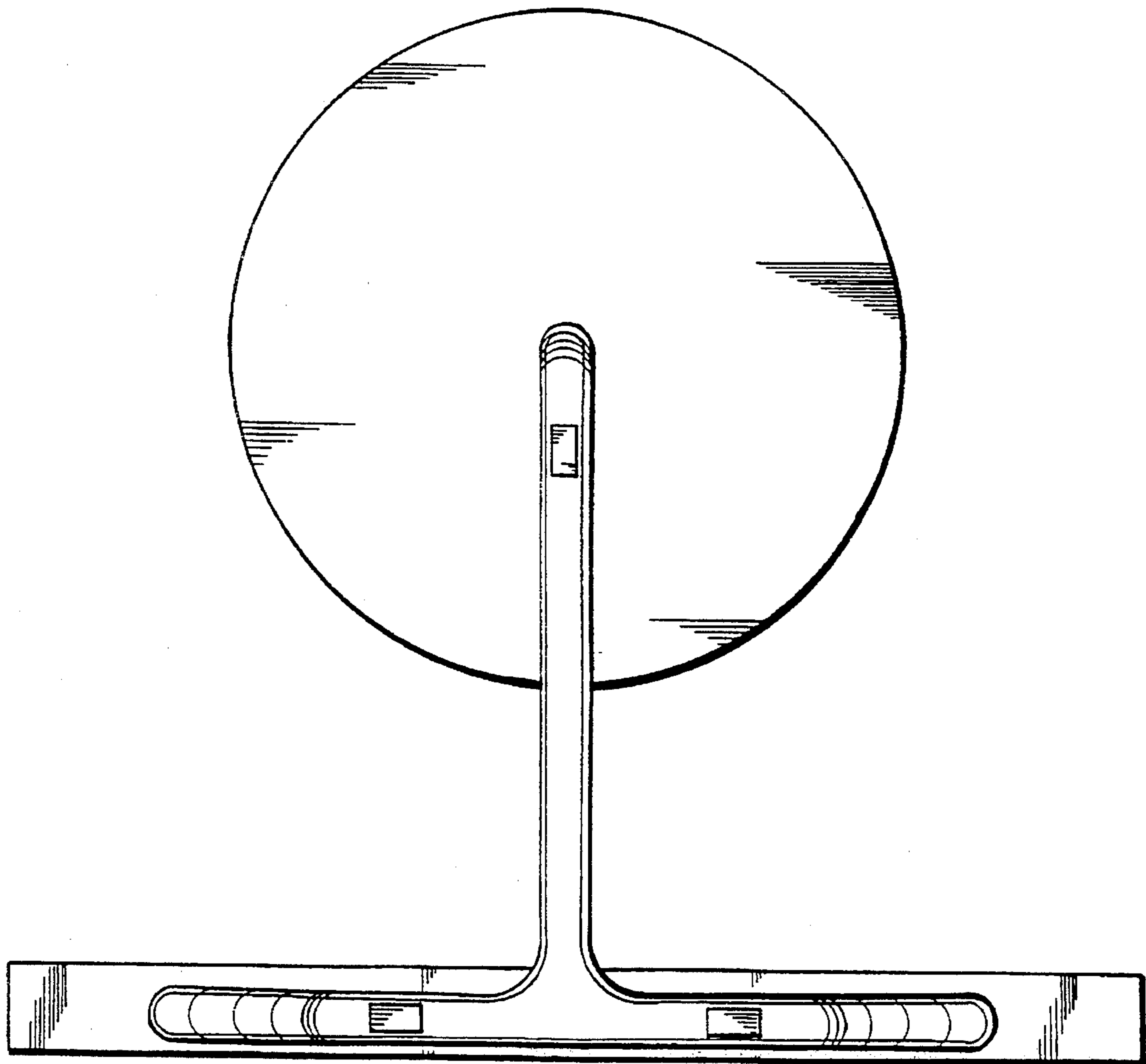


FIG. 6