



US00D368802S

United States Patent [19]

[11] Patent Number: Des. 368,802

Gallagher et al.

[45] Date of Patent: **Apr. 16, 1996

[54] 150 MM WAFER CASSETTE FOR USE ON 200 MM SEMI STANDARD WAFER HANDLING EQUIPMENT

[76] Inventors: Gary M. Gallagher, 440F Autumn Ridge Cir.; Brian S. Wiseman, 2812 Dublin Blvd., both of, Colorado Springs, Colo. 80906; Boyd C. Wittman, 2707 Northridge Dr., Colorado Springs, Colo. 80918

[**] Term: 14 Years

[21] Appl. No.: 29,711

[22] Filed: Oct. 13, 1994

[52] U.S. Cl. D3/315

[58] Field of Search D3/304, 315; 206/334, 206/444, 445, 454

4,718,552	1/1988	Rossi et al.	206/444
4,721,207	1/1988	Kikuchi	206/334
4,752,007	6/1988	Rossi et al.	206/444
4,817,795	4/1989	Kos	206/328
4,817,799	4/1989	Gregerson et al.	206/445
4,827,110	5/1989	Rossi et al.	235/376
4,833,306	5/1989	Milbrett	235/375
4,872,554	10/1989	Quememoen	206/454
4,880,116	11/1989	Kos	206/454
4,888,473	12/1989	Rossi et al.	235/376
4,930,634	6/1990	Williams et al.	206/454
4,949,848	8/1990	Kos	211/41
4,966,284	10/1990	Gregerson et al.	206/444
5,025,926	6/1991	Gregerson et al.	206/444
5,111,936	5/1992	Kos	206/334
5,149,244	9/1992	Webber et al.	206/454 X
5,154,301	10/1992	Kos	211/41
5,184,723	2/1993	Karl et al.	206/454
5,193,682	3/1993	Naito et al.	206/454
5,273,159	12/1993	Gregerson	206/334
5,351,836	10/1994	Mori et al.	206/454 X
5,364,144	11/1994	Satterfield et al.	206/454 X

[56] References Cited

U.S. PATENT DOCUMENTS

Re. 33,361	10/1990	Coe	206/444
3,467,242	9/1969	De Rouse	206/711
3,534,862	10/1970	Shambelan	211/41
3,850,296	11/1974	Hirata et al.	206/334
3,918,756	11/1975	Saville et al.	294/31.2
3,923,156	12/1975	Wallestad	206/454
3,923,191	12/1975	Johnson	220/94
3,926,305	12/1975	Wallestad	206/587
3,939,973	2/1976	Wallestad	206/328
3,961,877	6/1976	Johnson	432/253
4,043,451	8/1977	Johnson	206/334
4,061,228	12/1977	Johnson	206/454
4,248,346	2/1981	Johnson	206/334
4,450,960	5/1984	Johnson	206/334
4,471,716	9/1984	Milliren	118/500
4,493,418	1/1985	Johnson	206/454
4,520,925	6/1985	Johnson	206/334
4,555,024	11/1985	Voss et al.	206/454
4,557,382	12/1985	Johnson	206/444
4,623,064	11/1986	Ruda	206/445
4,669,612	6/1987	Mortensen	206/454
4,684,021	8/1987	Niebling et al.	206/334
4,687,097	8/1987	Mortensen	206/334
4,718,549	1/1988	Rissotti et al.	206/334

FOREIGN PATENT DOCUMENTS

WO9216964 10/1992 WIPO .

Primary Examiner—Louis S. Zarfaz
Assistant Examiner—Catherine R. Oliver
Attorney, Agent, or Firm—Haugen and Nikolai

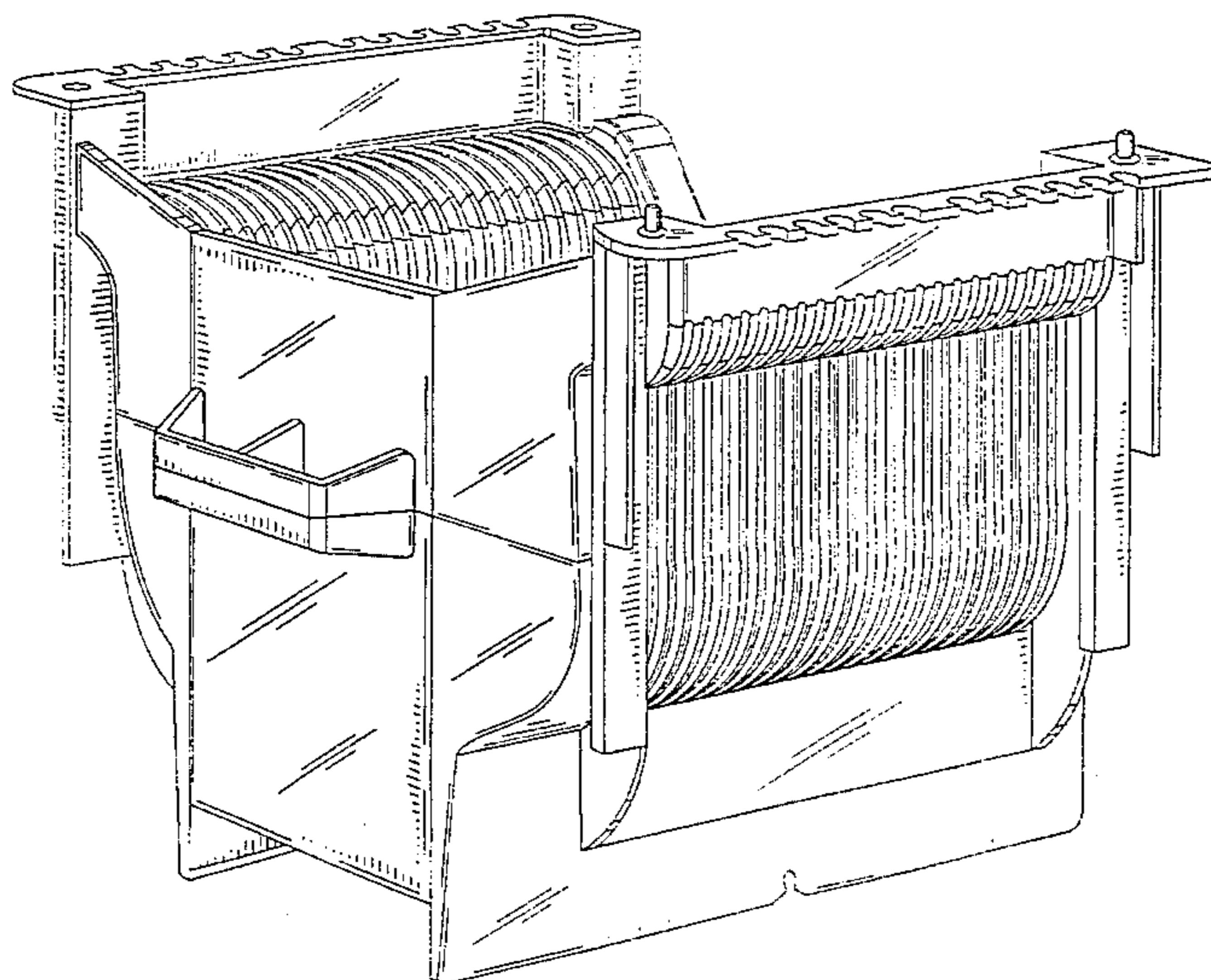
[57] CLAIM

The ornamental design for a "150 mm wafer cassette for use on 200 mm semi standard wafer handling equipment", as shown and described.

DESCRIPTION

FIG. 1 is a front perspective view of a 150 mm wafer cassette for use on 200 mm semi standard wafer handling equipment showing my new design; FIG. 2 is a right side elevational view thereof; FIG. 3 is a left side elevational view thereof; FIG. 4 is a back elevational view thereof; FIG. 5 is a top plan view thereof; and, FIG. 6 is a bottom plan view thereof.

1 Claim, 6 Drawing Sheets



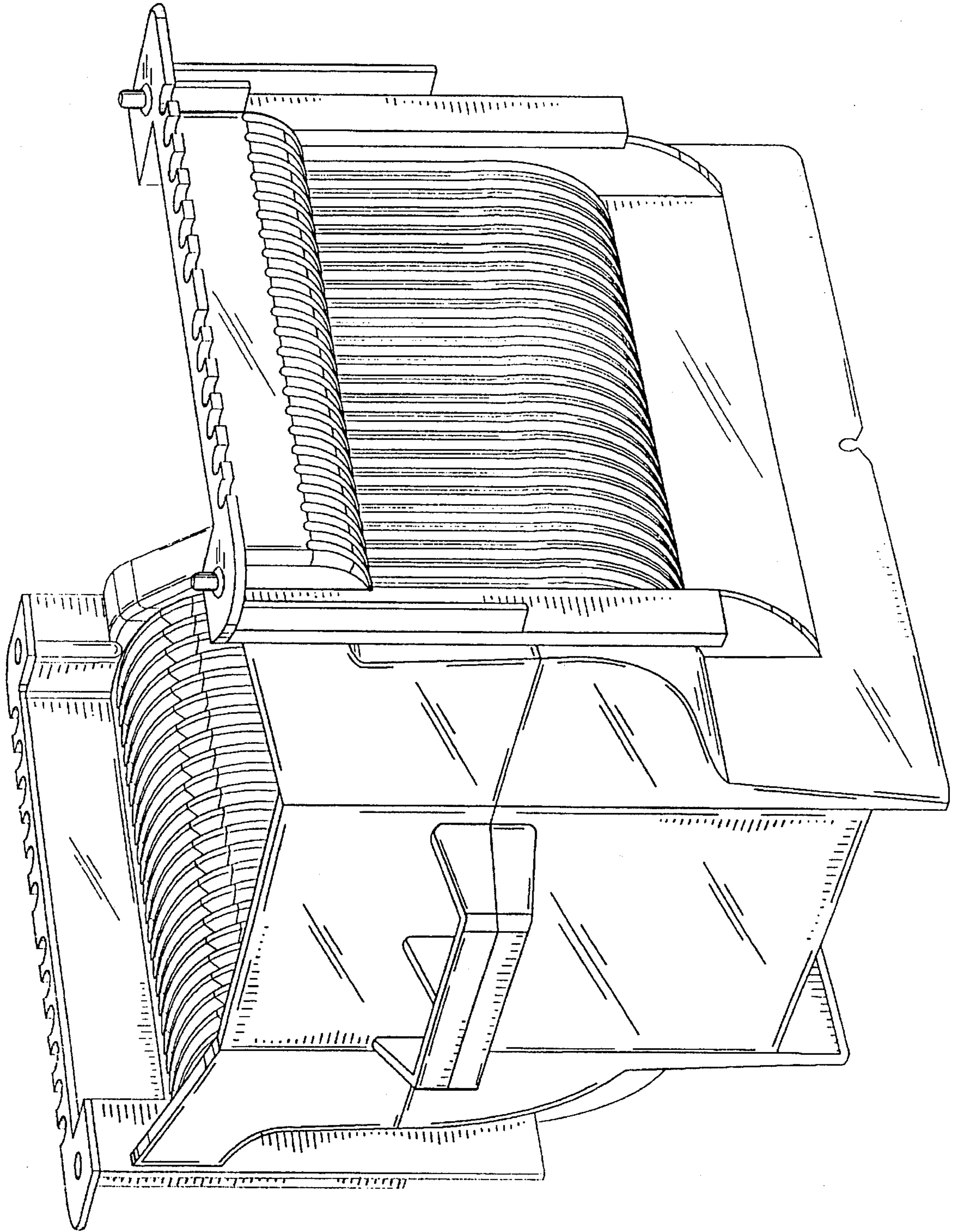


Fig. 1

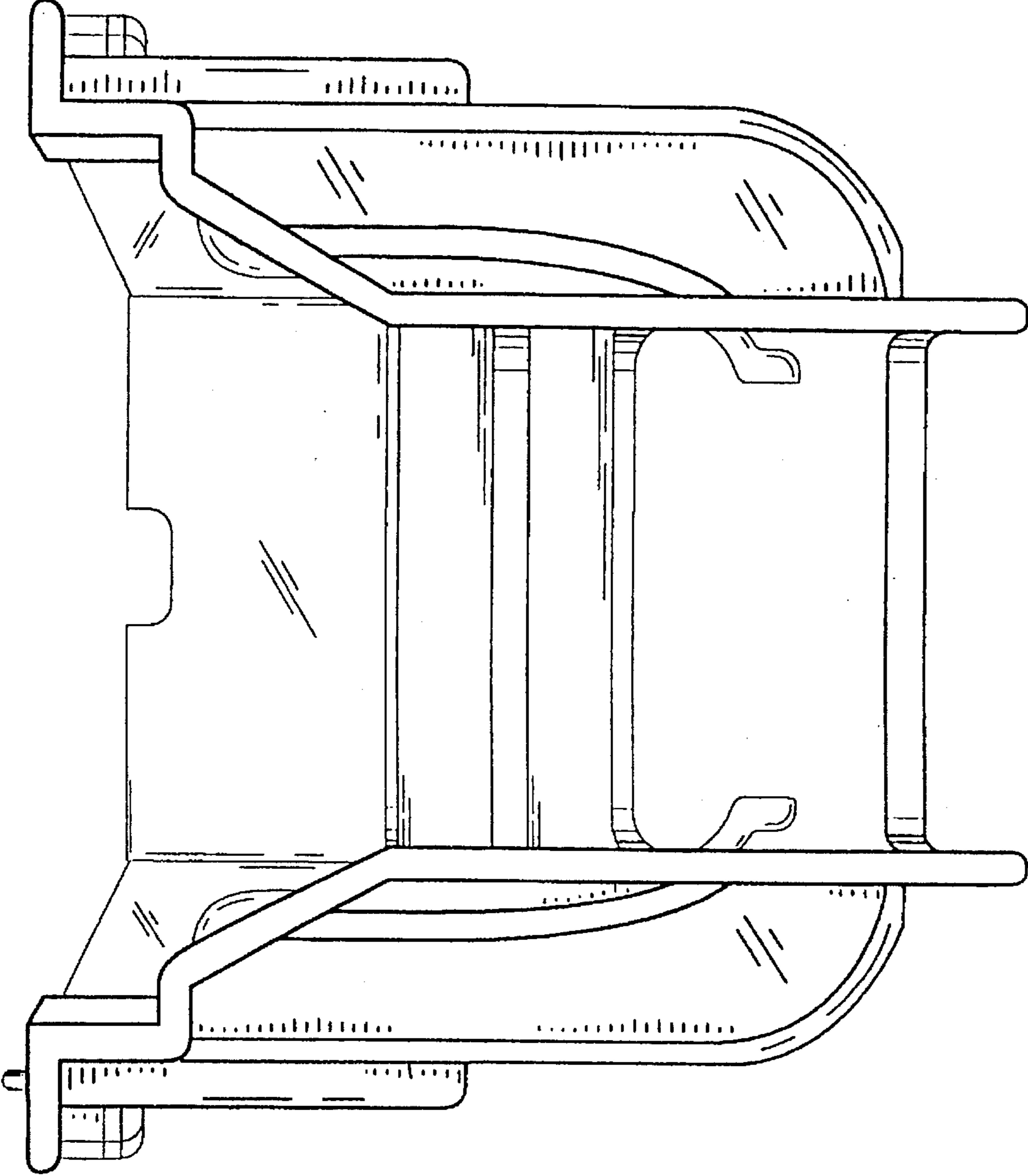


Fig. 2

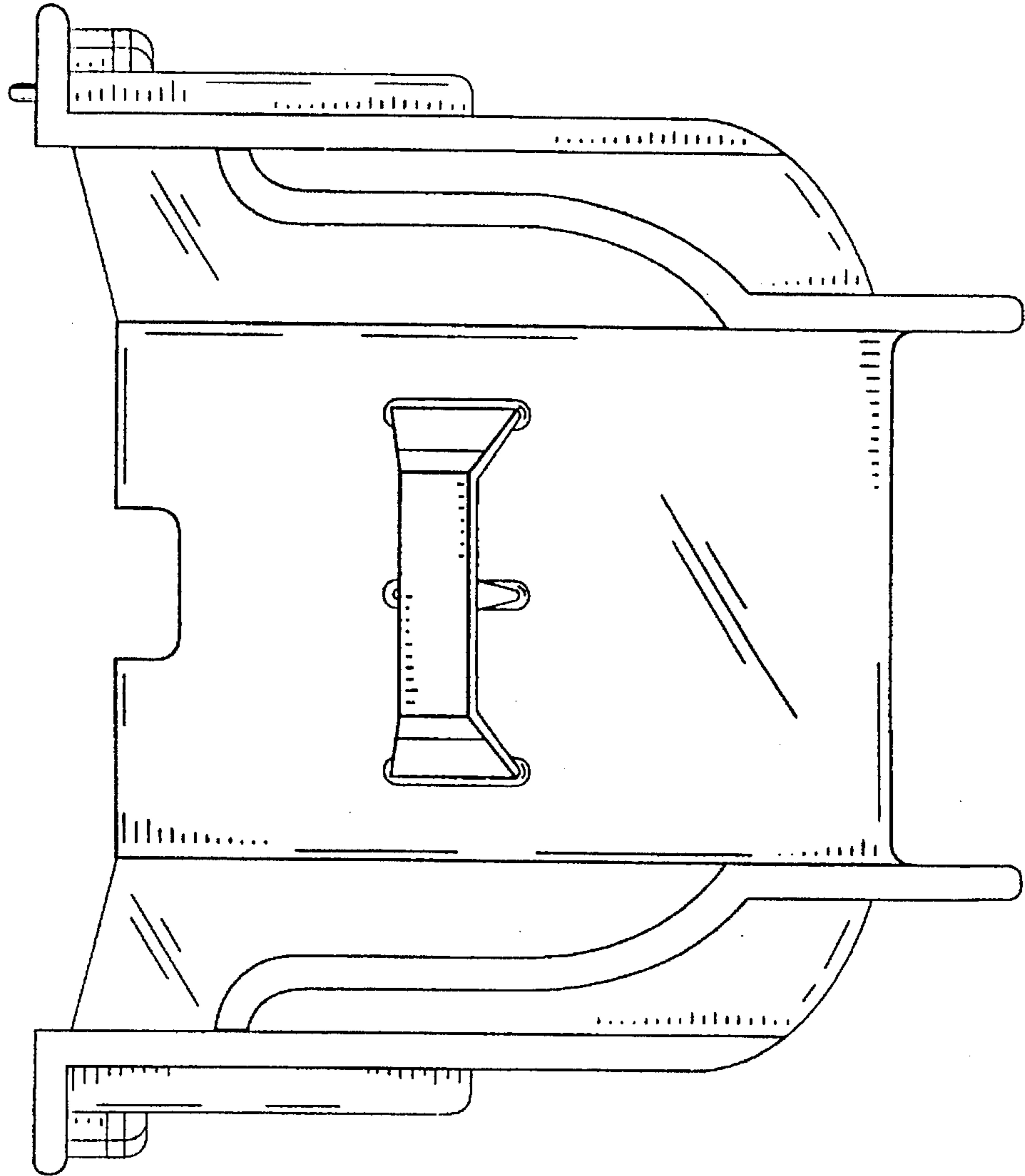


Fig. 3

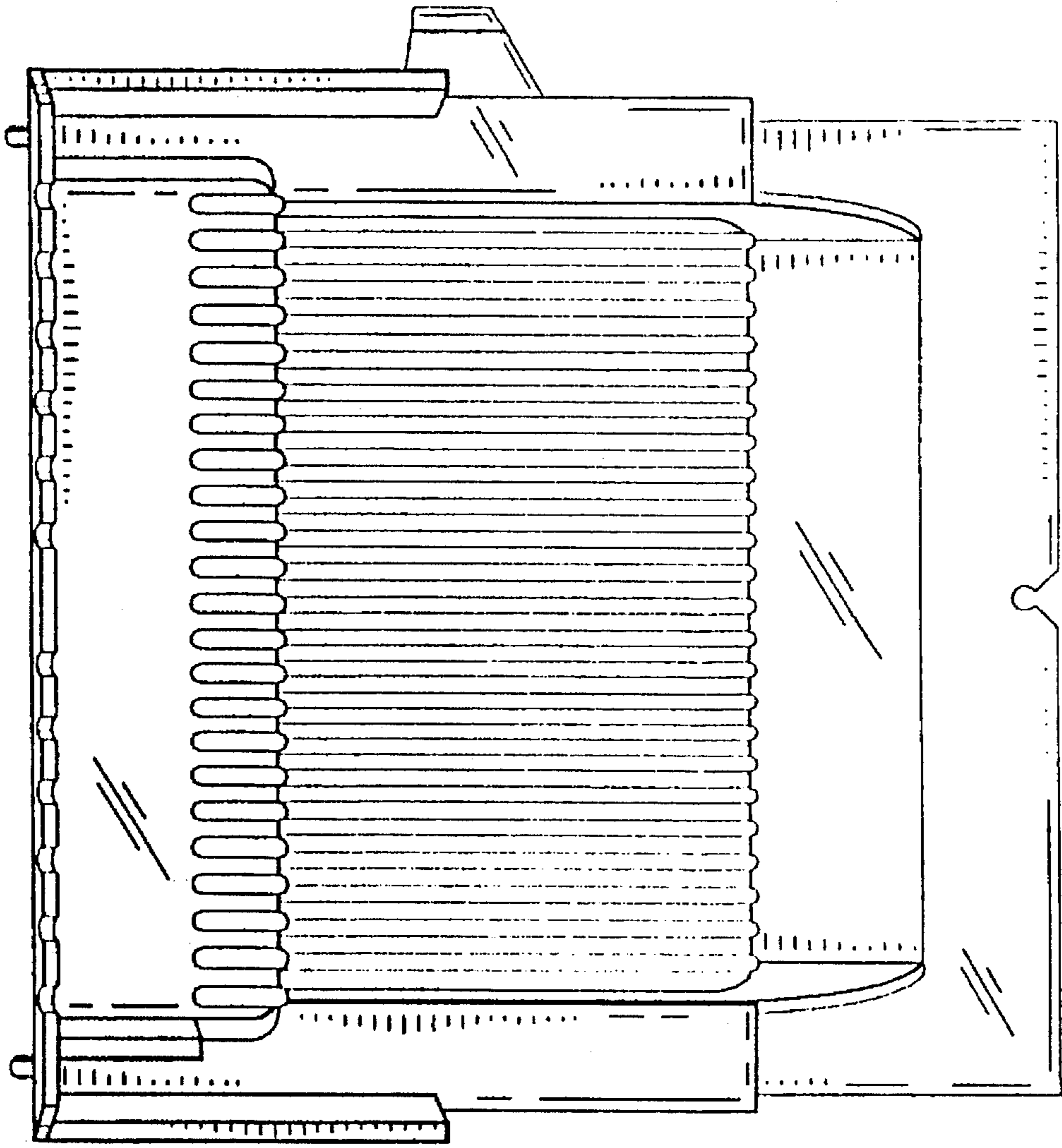


Fig. 4

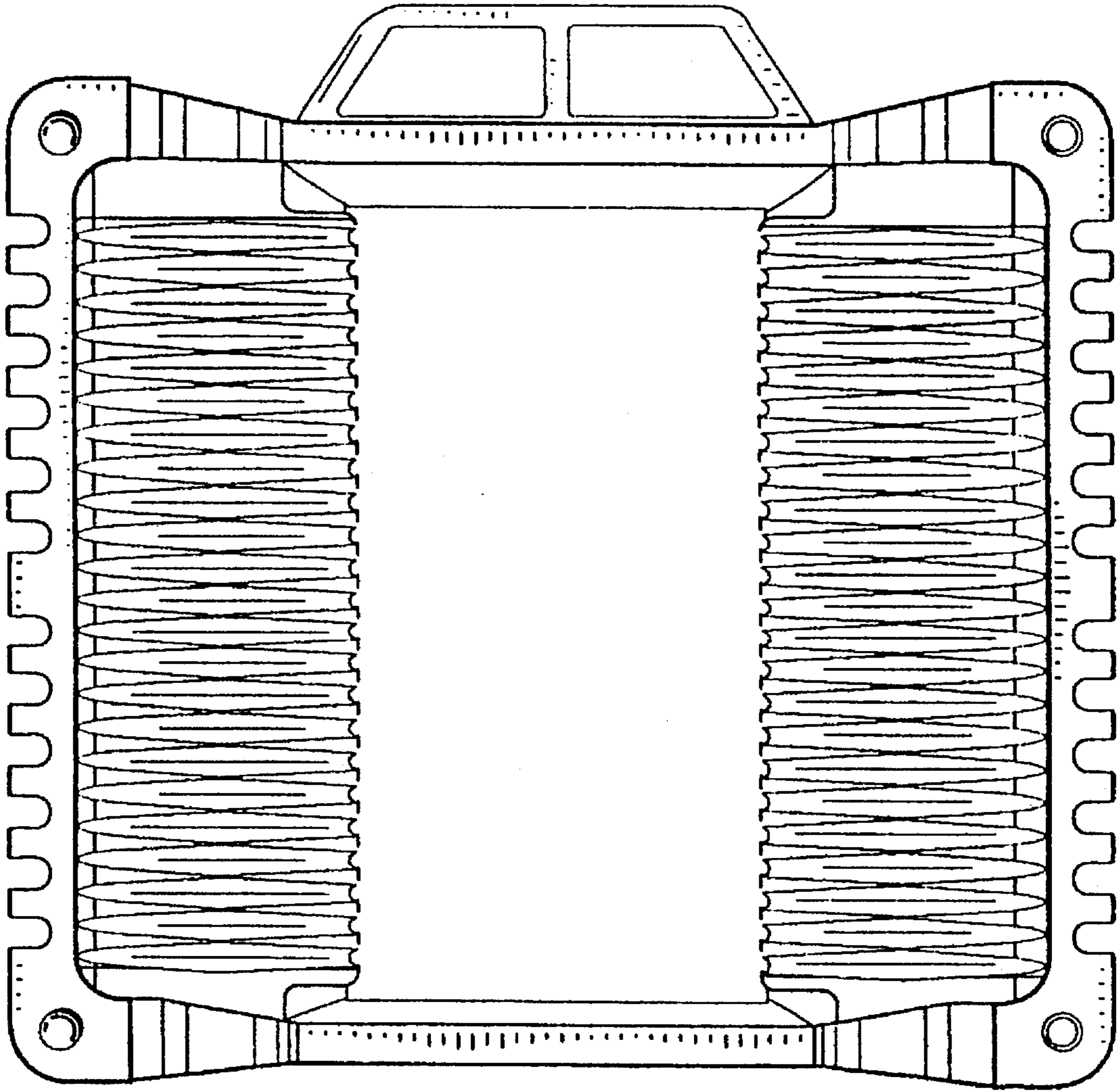


Fig. 5

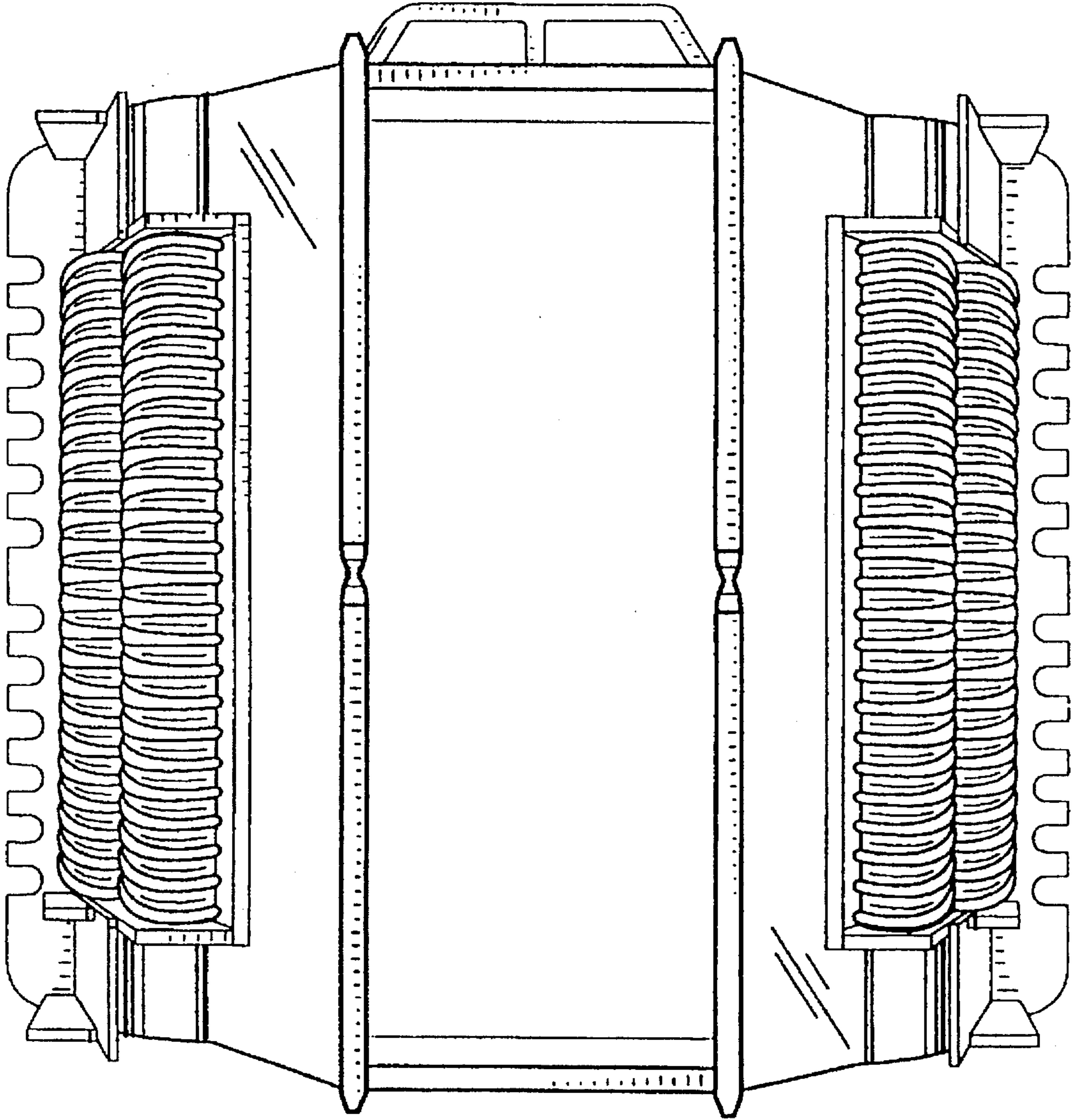


Fig. 6