



US00D368789S

United States Patent [19]
Pettersen

[11] **Patent Number: Des. 368,789**
[45] **Date of Patent: **Apr. 9, 1996**

[54] **OUTDOOR LAMP**

[75] Inventor: **Kjell Pettersen**, Gressvik, Norway

[73] Assignee: **Garden Light S.r.l.**, Brescia, Italy

[**] Term: **14 Years**

[21] Appl. No.: **32,343**

[22] Filed: **Dec. 16, 1994**

[52] U.S. Cl. **D26/85**

[58] Field of Search **D26/67-71, 72,**
D26/80-92; 362/147, 404-405, 432, 367,
43

[56] **References Cited**

U.S. PATENT DOCUMENTS

D. 220,641 5/1971 Lewis **D26/80**

OTHER PUBLICATIONS

Intermatic® Malibu® Lighting Catalog, Aug. 1992, Front
Cover, Exterior Light, top, left.
Noral Lighting Catalog, Orion Wall Light.

Progress Lighting Catalog, ©1990, p. 122, Wall Lantern
#p5895-10.

Primary Examiner—Susan J. Lucas
Attorney, Agent, or Firm—Laff, Whitesel, Conte & Saret,
Ltd.

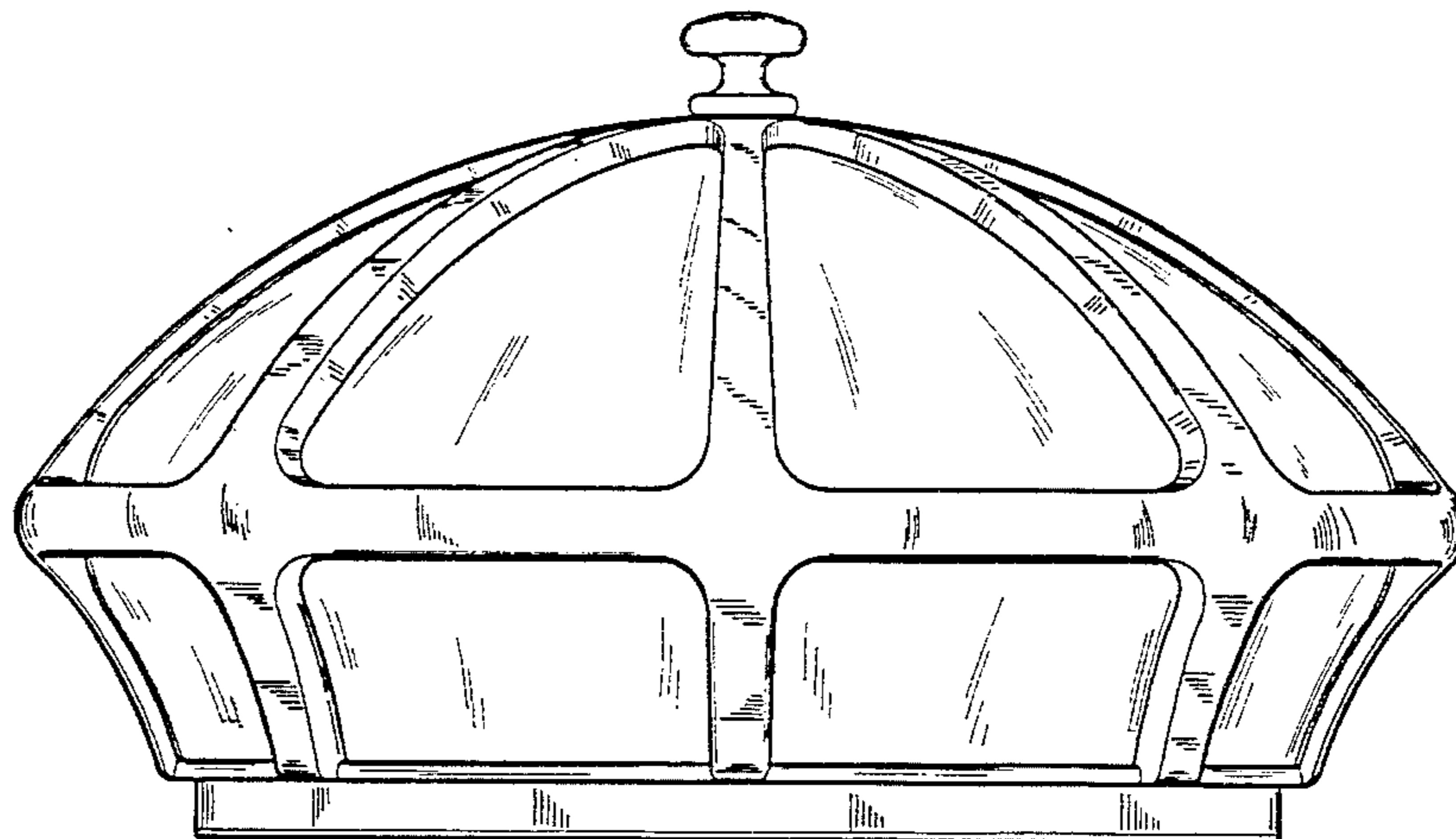
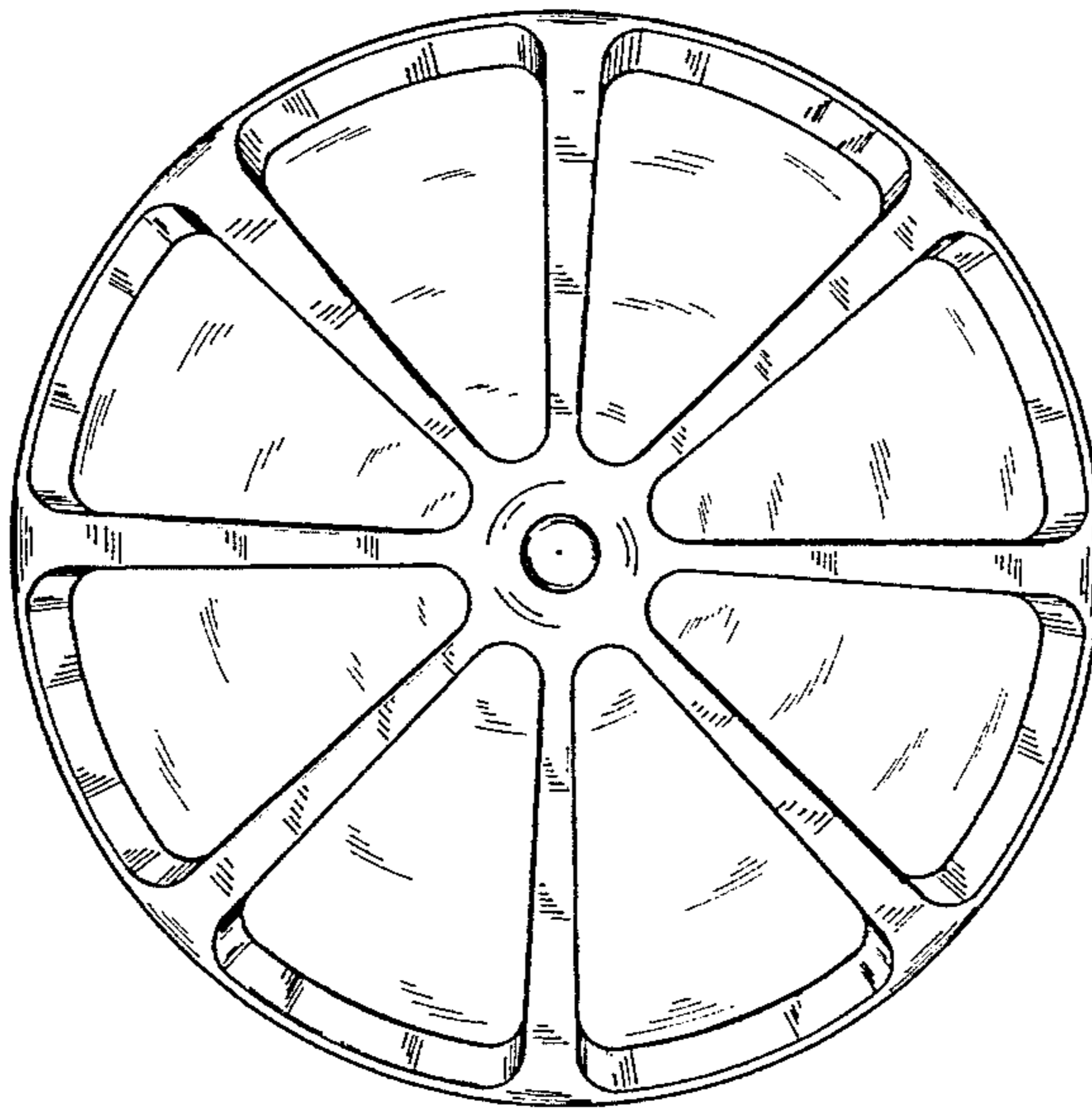
[57] **CLAIM**

The ornamental design for an outdoor lamp, as shown and
described.

DESCRIPTION

FIG. 1 is a front view of the outdoor lamp;
FIG. 2 is a rear view of the lamp shown in FIG. 1 ;
FIG. 3 is the right side view of the lamp shown in FIG. 1;
FIG. 4 is the left side view of the lamp shown in FIG. 1;
FIG. 5 is a top view of the lamp shown in FIG. 1; and,
FIG. 6 is the bottom view of the lamp shown in FIG. 1.

1 Claim, 6 Drawing Sheets



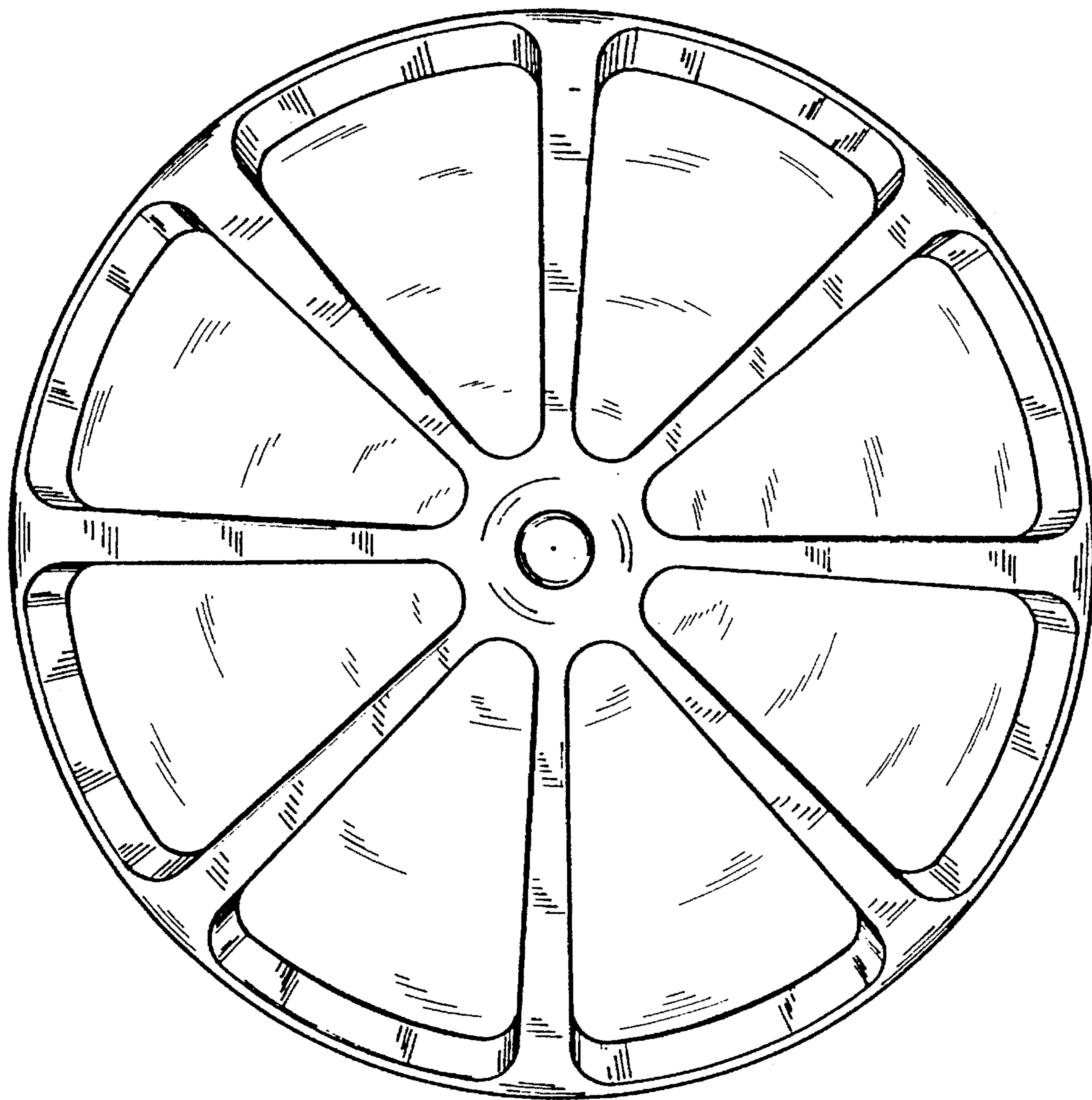


FIG 1

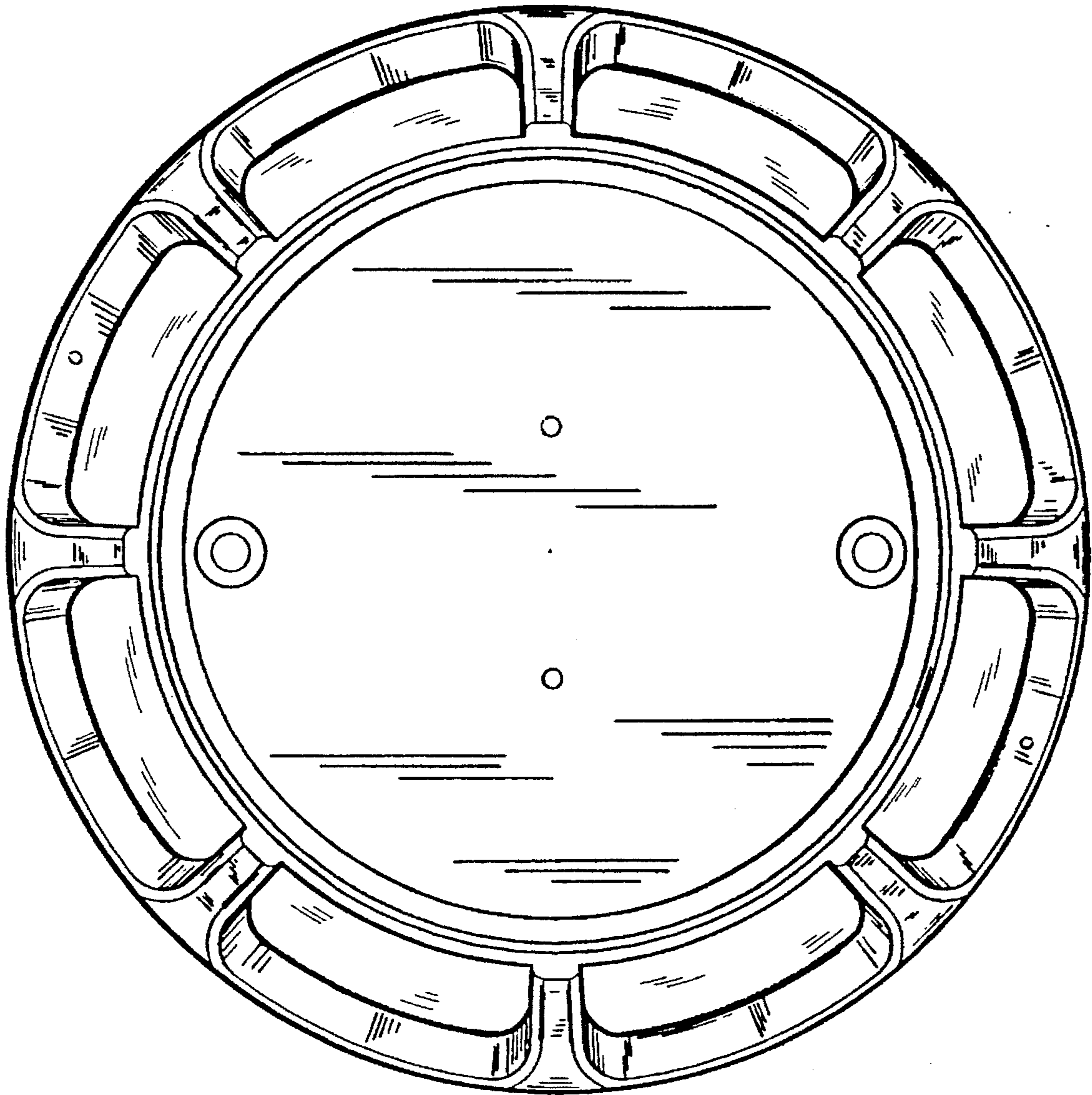
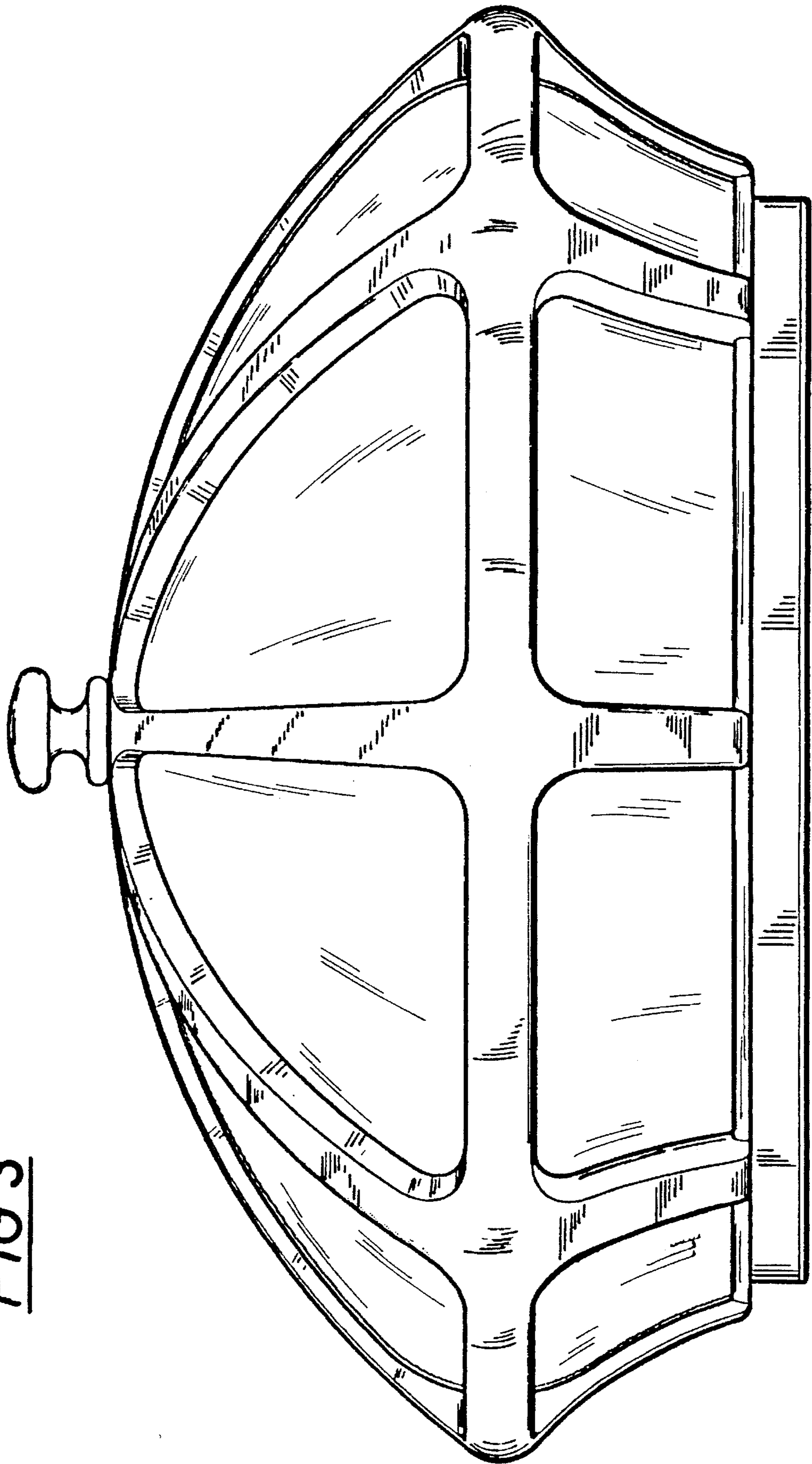


FIG 2

FIG 3



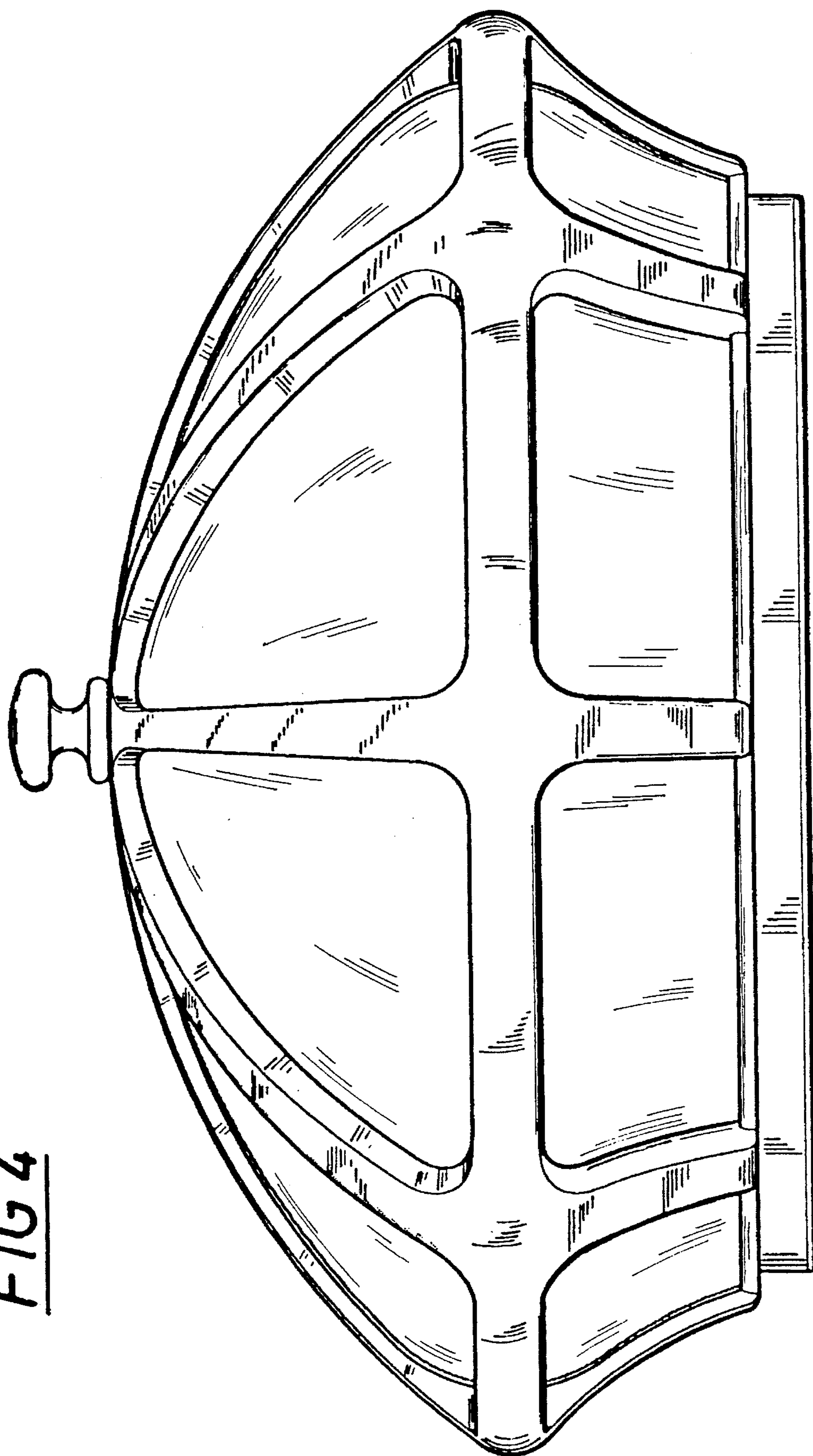


FIG 4

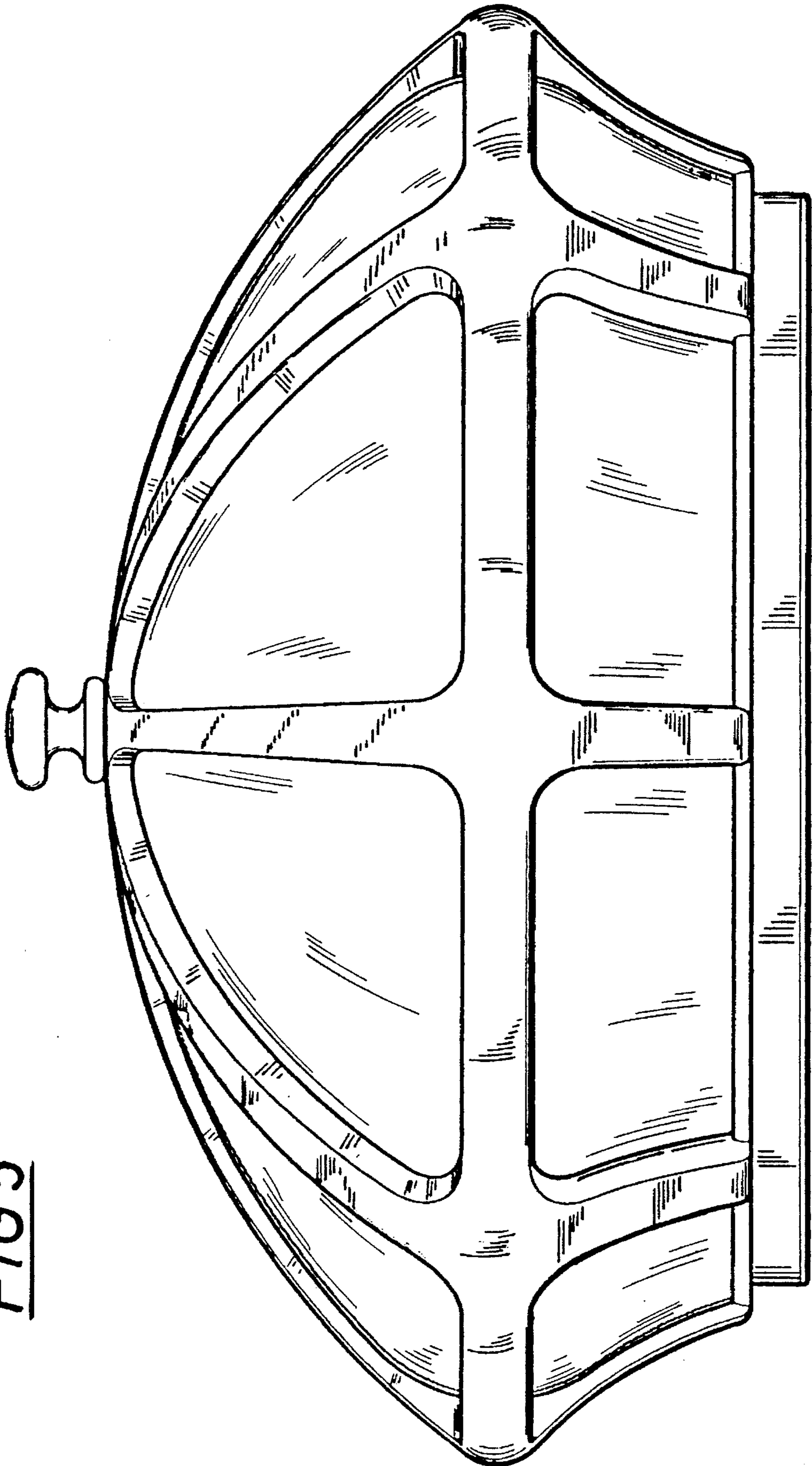


FIG 5

FIG 6

