



US00D368787S

United States Patent [19]
Yuen

[11] **Patent Number:** **Des. 368,787**
[45] **Date of Patent:** ****Apr. 9, 1996**

[54] **ADJUSTABLE TABLE LAMP**

[75] Inventor: **Se K. Yuen**, Kowloon, Hong Kong

[73] Assignee: **John Manufacturing Ltd.**, Kowloon, Hong Kong

[**] Term: **14 Years**

[21] Appl. No.: **27,623**

[22] Filed: **Aug. 25, 1994**

[30] **Foreign Application Priority Data**

May 3, 1994 [GB] United Kingdom 2038819
[52] **U.S. Cl.** **D26/63**
[58] **Field of Search** D26/60-66; 362/269, 362/274, 275, 285, 413, 418, 419, 427

[56] **References Cited**

U.S. PATENT DOCUMENTS

D. 170,925 11/1953 Kaveckas D26/64 X
D. 178,415 7/1956 Mugnai D26/63

OTHER PUBLICATIONS

Nessen Lamps, Inc. Catalog, 1982, p. 18; Adjustable Desk Lamp #NAT52.

Primary Examiner—Susan J. Lucas
Attorney, Agent, or Firm—Blakely, Sokoloff Taylor & Zafman

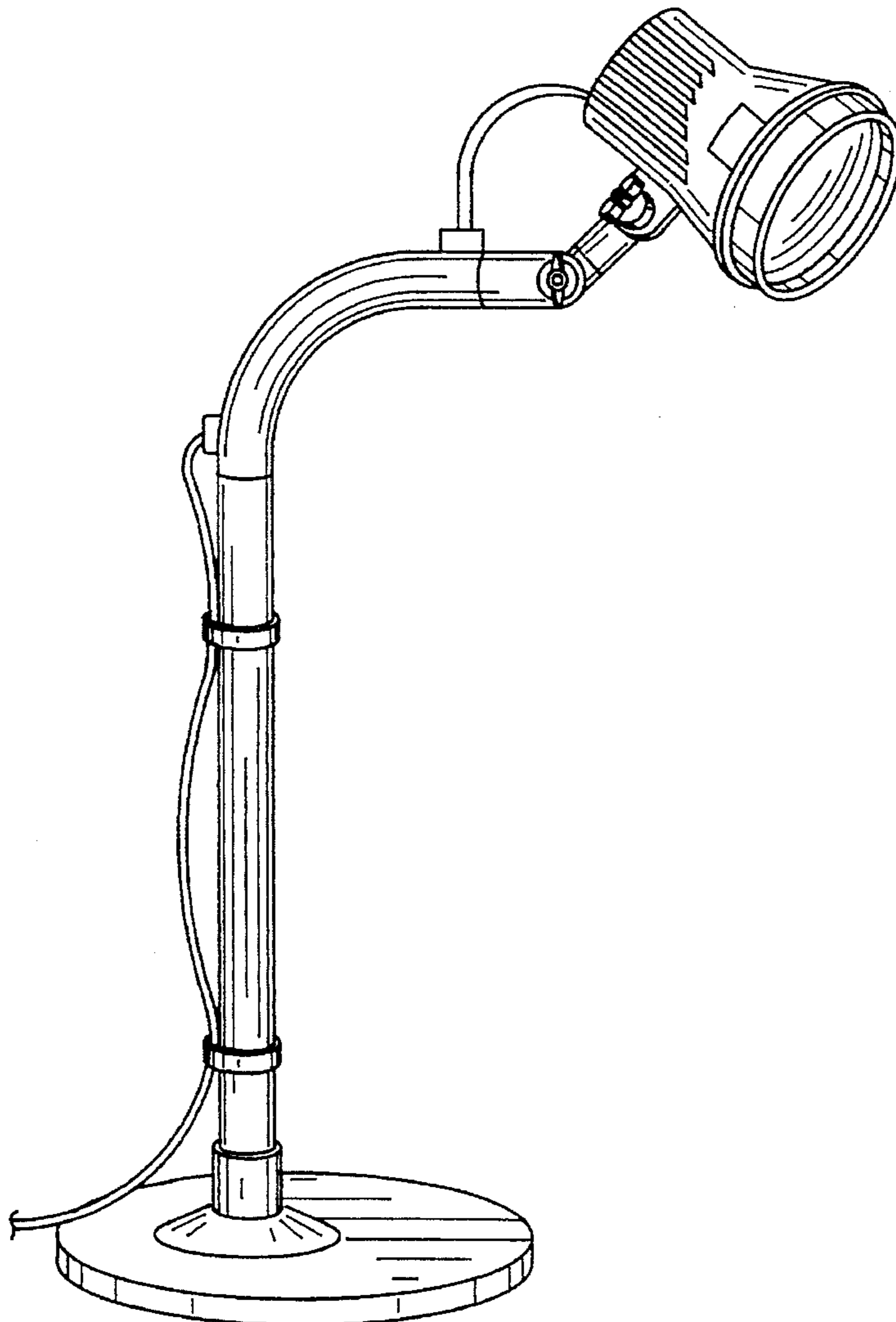
[57] **CLAIM**

The ornamental design for adjustable table lamp, as shown and described.

DESCRIPTION

FIG. 1 is a side perspective view thereof; FIG. 2 is a front elevational view thereof; FIG. 3 is a rear elevational view thereof; FIG. 4 is a side elevational view thereof; FIG. 5 is an elevational view of the side opposite from the side shown in FIG. 4; FIG. 6 is a top plan view thereof; and, FIG. 7 is a bottom plan view thereof.

1 Claim, 4 Drawing Sheets



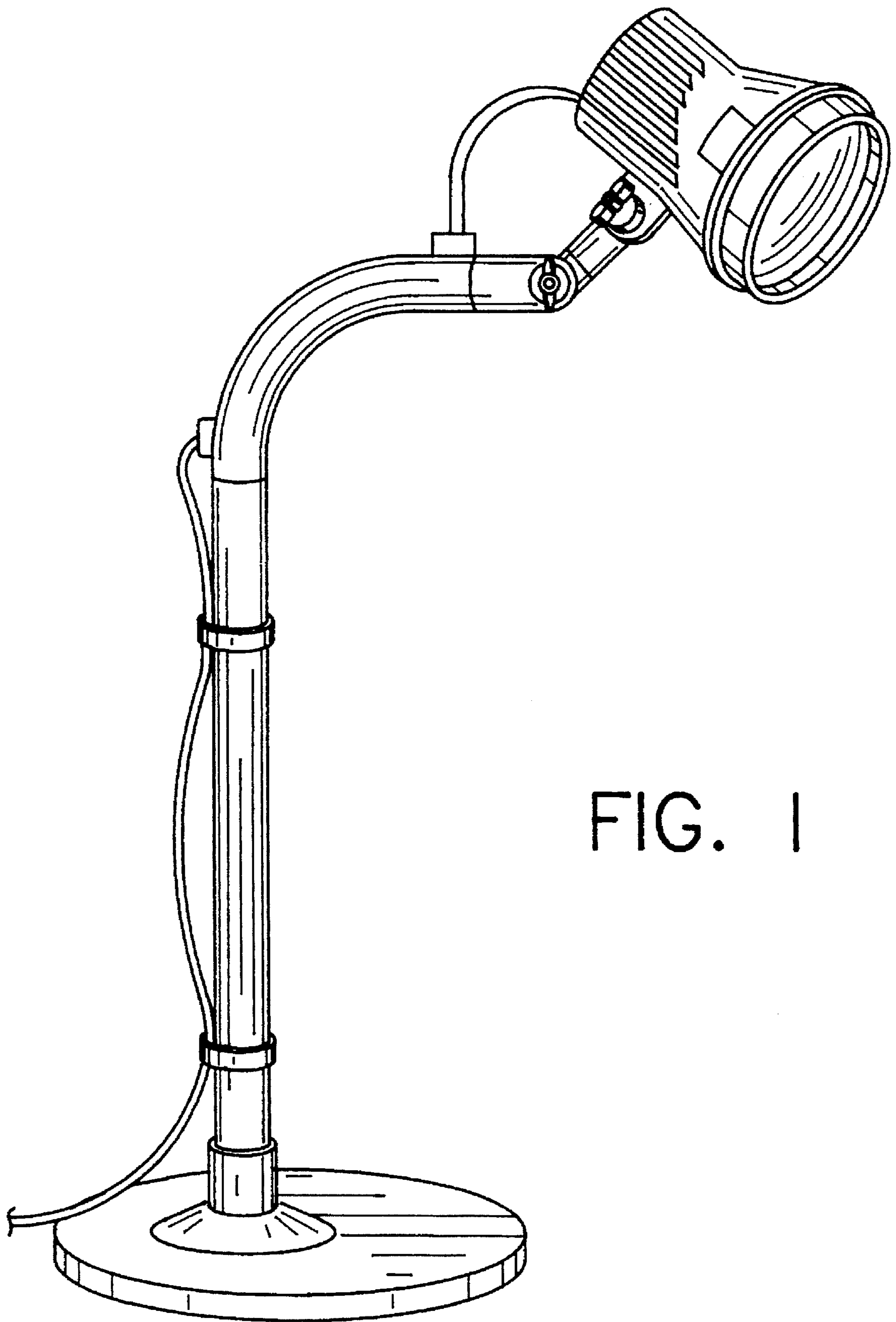


FIG. 1

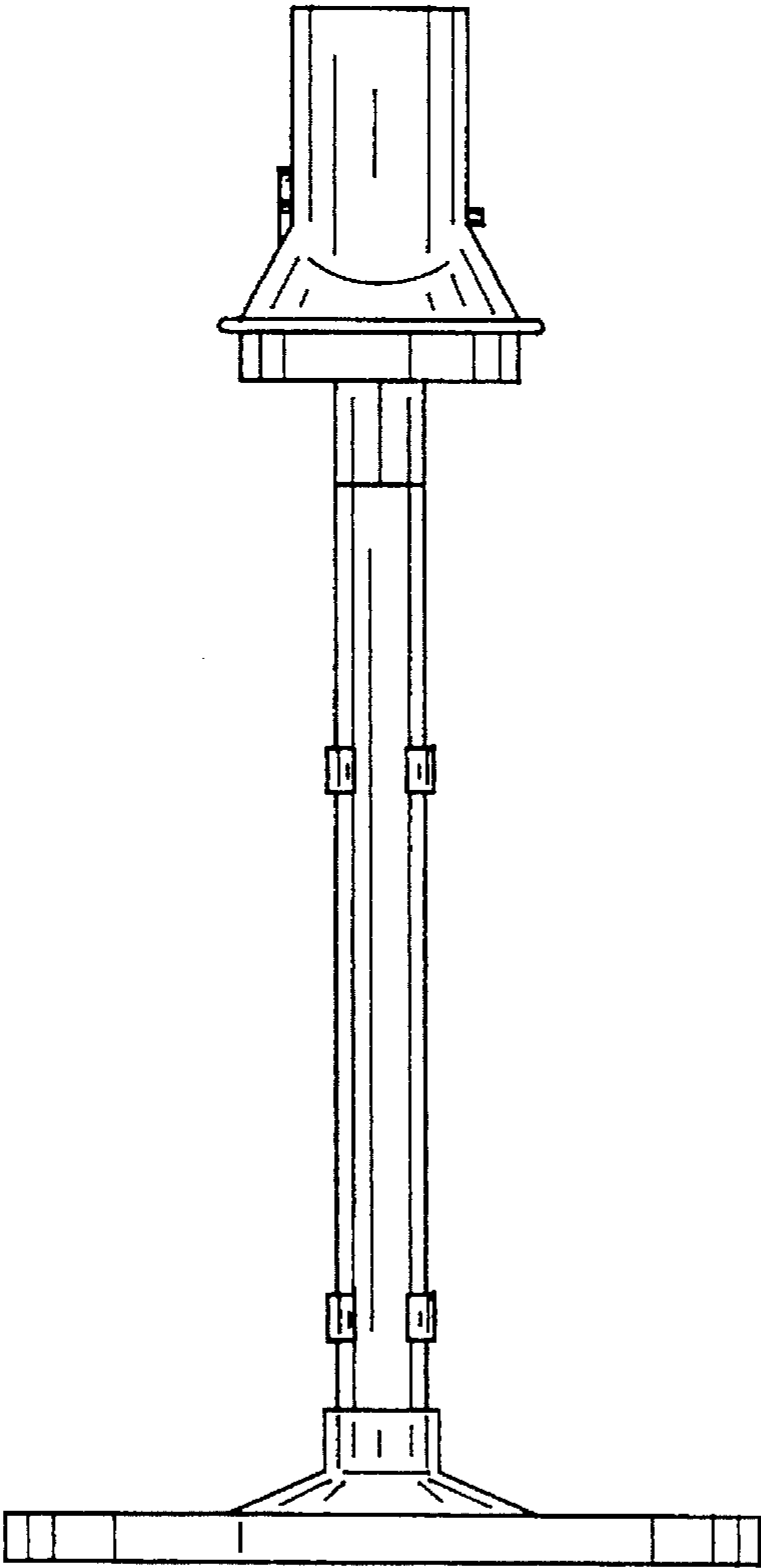


FIG. 2

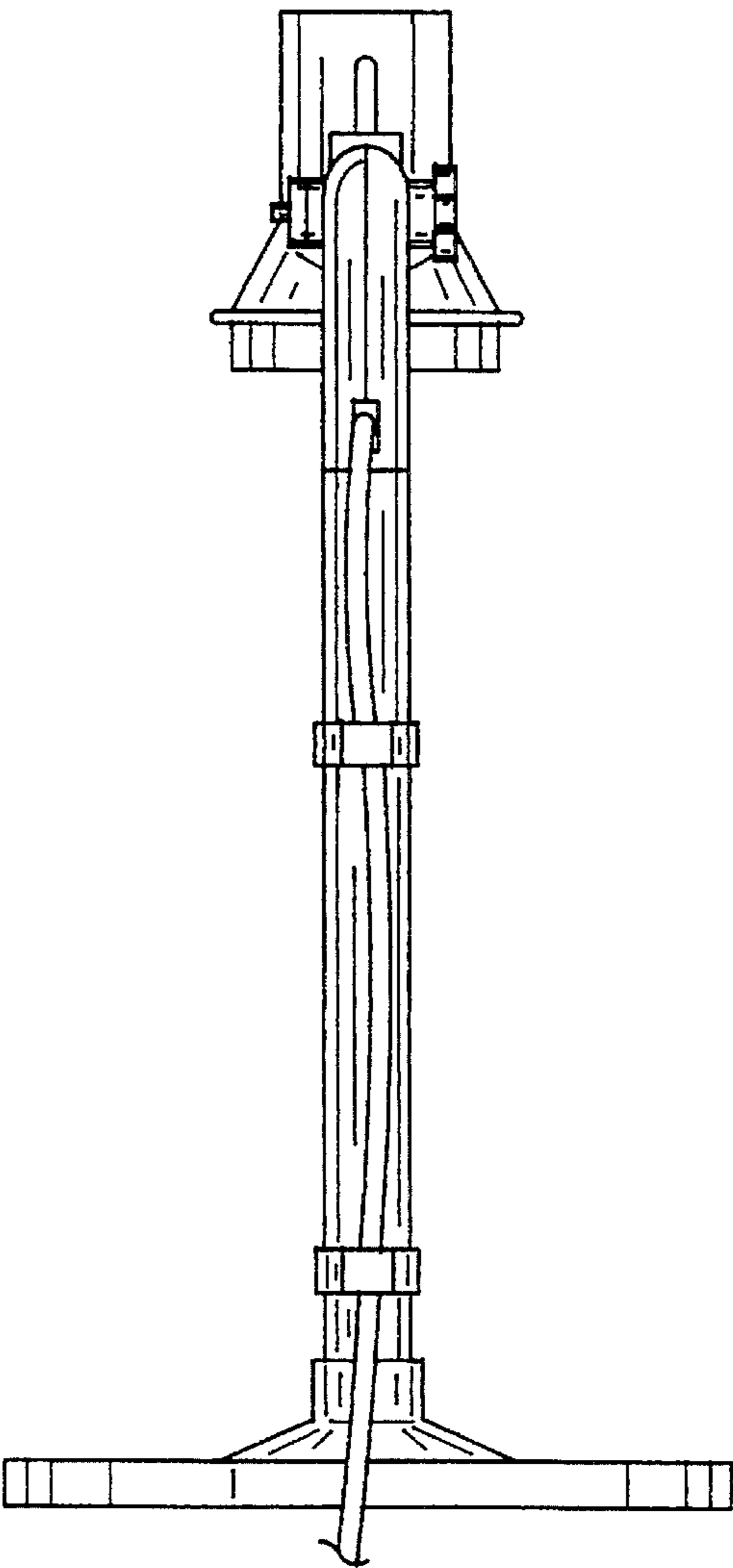


FIG. 3

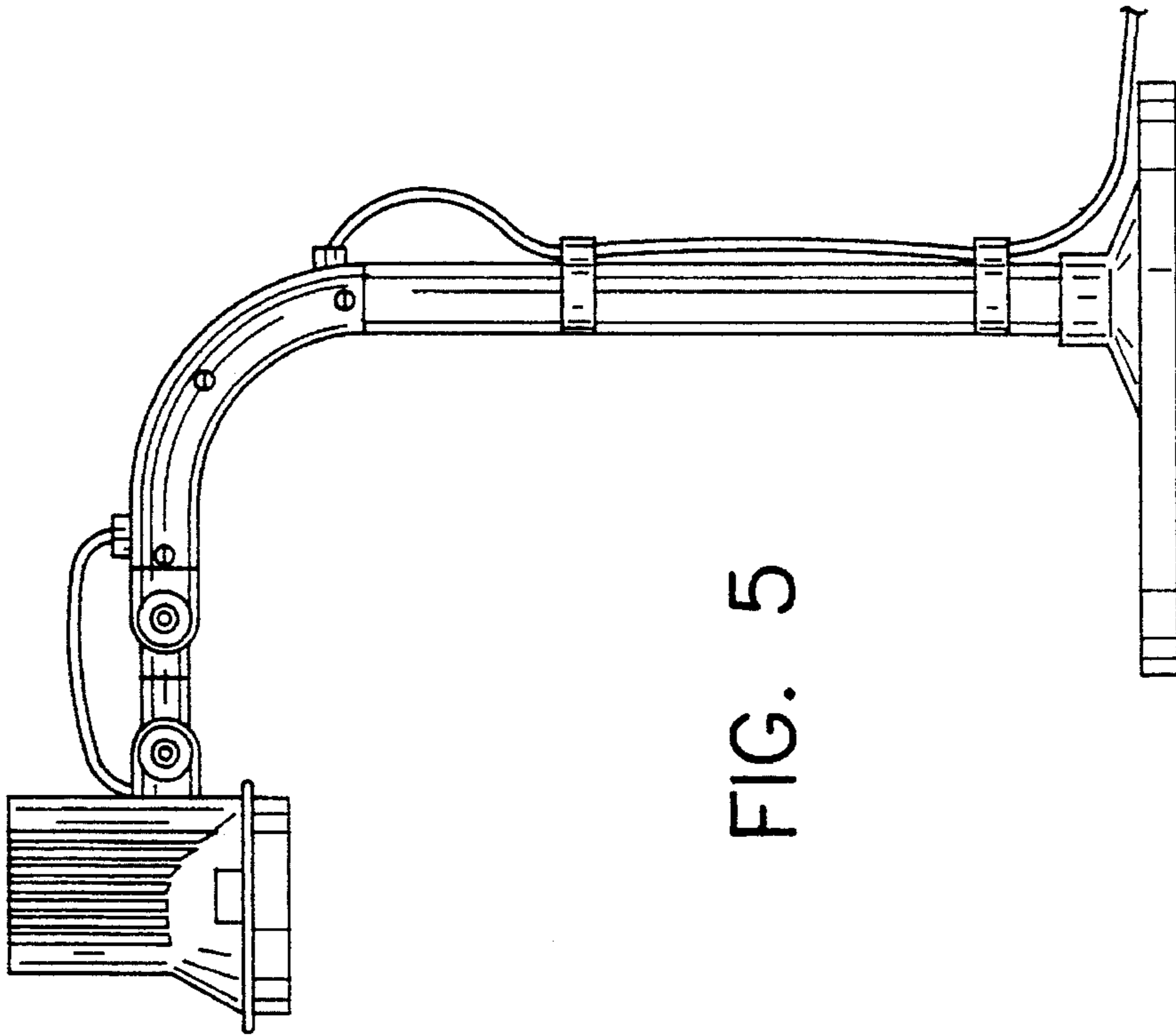


FIG. 5

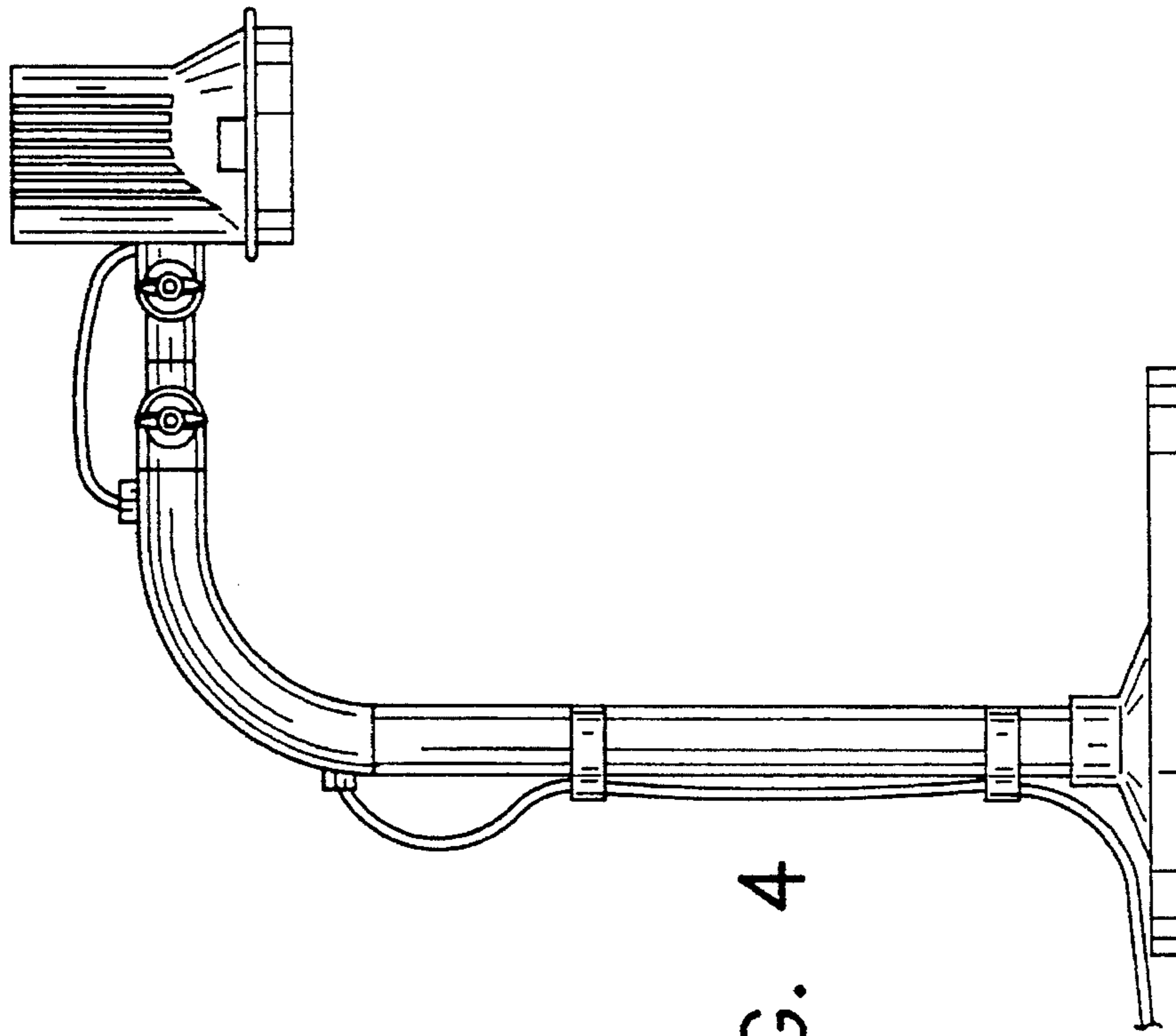


FIG. 4

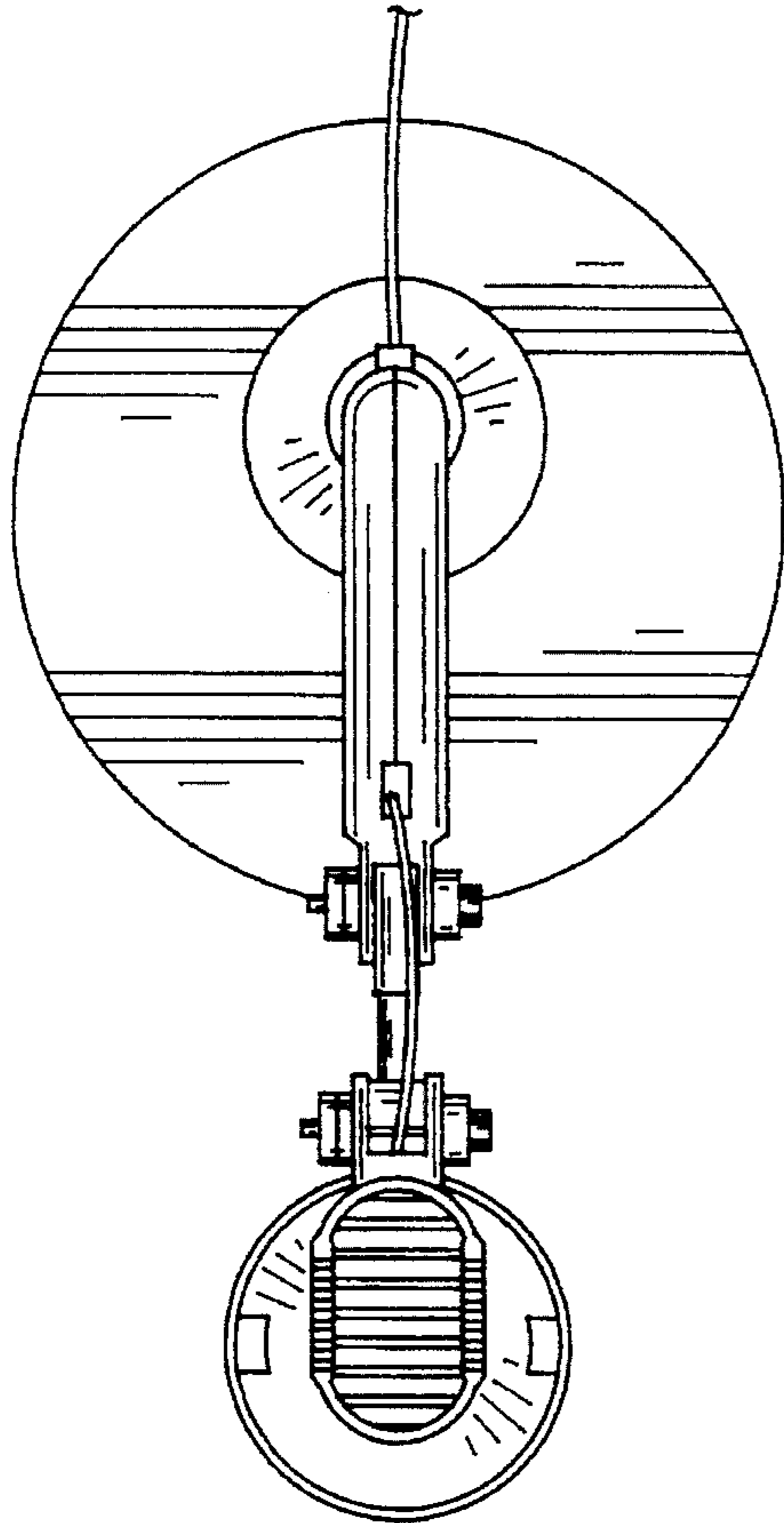


FIG. 6

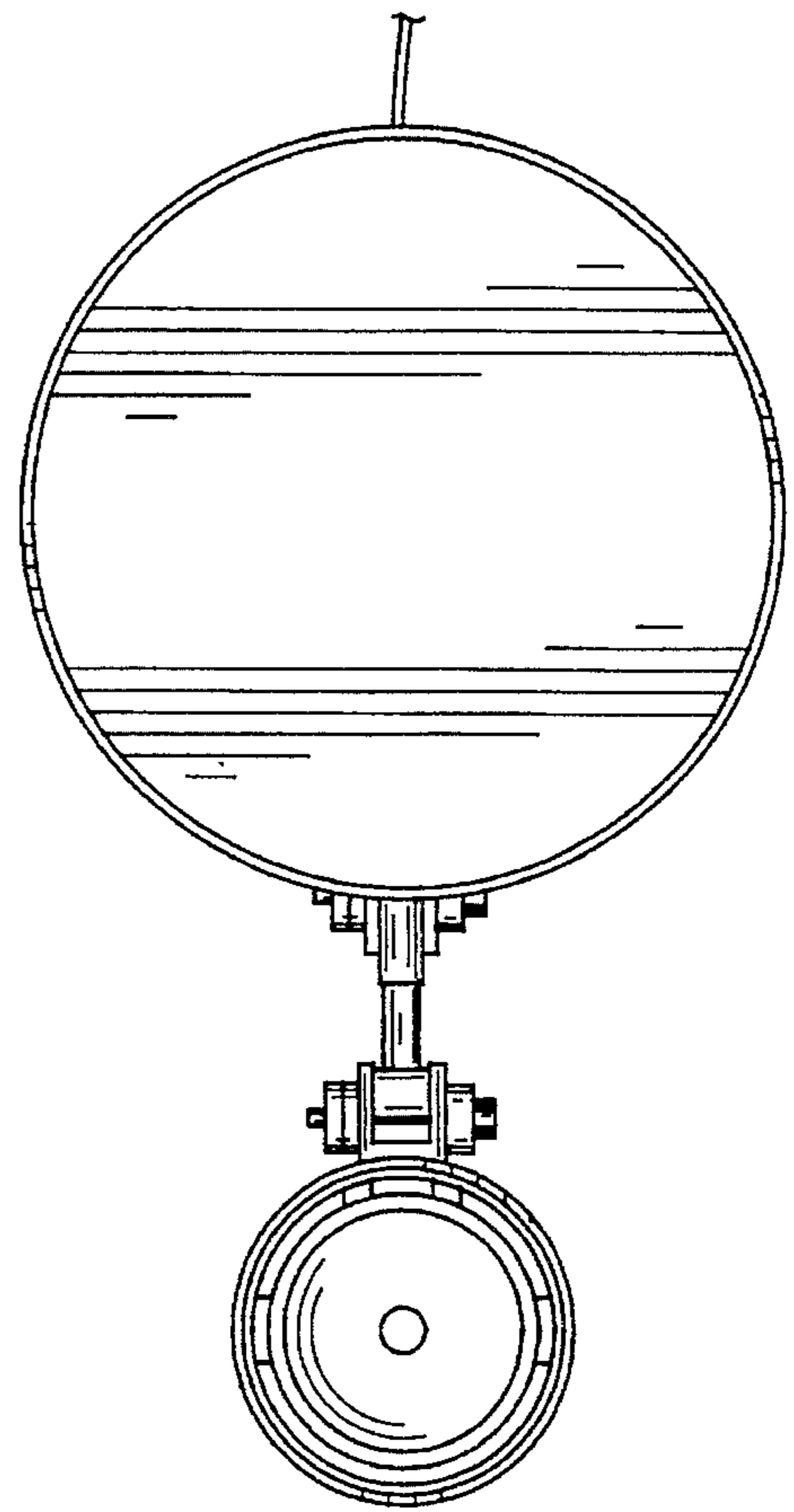


FIG. 7