



US00D368784S

**United States Patent** [19]  
**Yuen**

[11] **Patent Number: Des. 368,784**

[45] **Date of Patent: \*\*Apr. 9, 1996**

[54] **LANTERN**

[75] Inventor: **Se K. Yuen**, Kowloon, Hong Kong

[73] Assignee: **John Manufacturing Limited**,  
Kowloon, Hong Kong

[\*\*] Term: **14 Years**

[21] Appl. No.: **19,724**

[22] Filed: **Mar. 9, 1994**

[30] **Foreign Application Priority Data**

Sep. 10, 1993 [GB] United Kingdom ..... 2033721

[52] **U.S. Cl.** ..... **D26/42; D26/37**

[58] **Field of Search** ..... D26/37-50; 362/109,  
362/136, 156-158, 163, 171-173, 178,  
181-183, 188-189, 192, 194, 196-197,  
200-206, 257, 261-262

[56] **References Cited**

**U.S. PATENT DOCUMENTS**

D. 256,285 8/1980 Wong ..... D26/42

D. 278,366 4/1985 Ohashi ..... D26/42

D. 281,537 11/1985 Poon ..... D26/42  
D. 297,372 8/1988 Poon ..... D26/42  
D. 342,800 12/1993 Petterson et al. .... D26/41  
3,435,206 3/1969 Swanson ..... 362/183  
4,074,122 2/1978 Moore ..... 362/200

*Primary Examiner*—A. Hugo Word  
*Assistant Examiner*—Robin Taylor  
*Attorney, Agent, or Firm*—Darby & Darby

[57] **CLAIM**

The ornamental design for a lantern, as shown and described.

**DESCRIPTION**

FIG. 1 is a perspective view, as viewed from the front and right, of a lantern showing my new design;  
FIG. 2 is a front elevational view thereof;  
FIG. 3 is a rear elevational view thereof;  
FIG. 4 is a left side elevational view thereof, the right side elevational view being a mirror image thereof;  
FIG. 5 is a top elevational view thereof; and,  
FIG. 6 is a bottom plan view thereof.

**1 Claim, 5 Drawing Sheets**

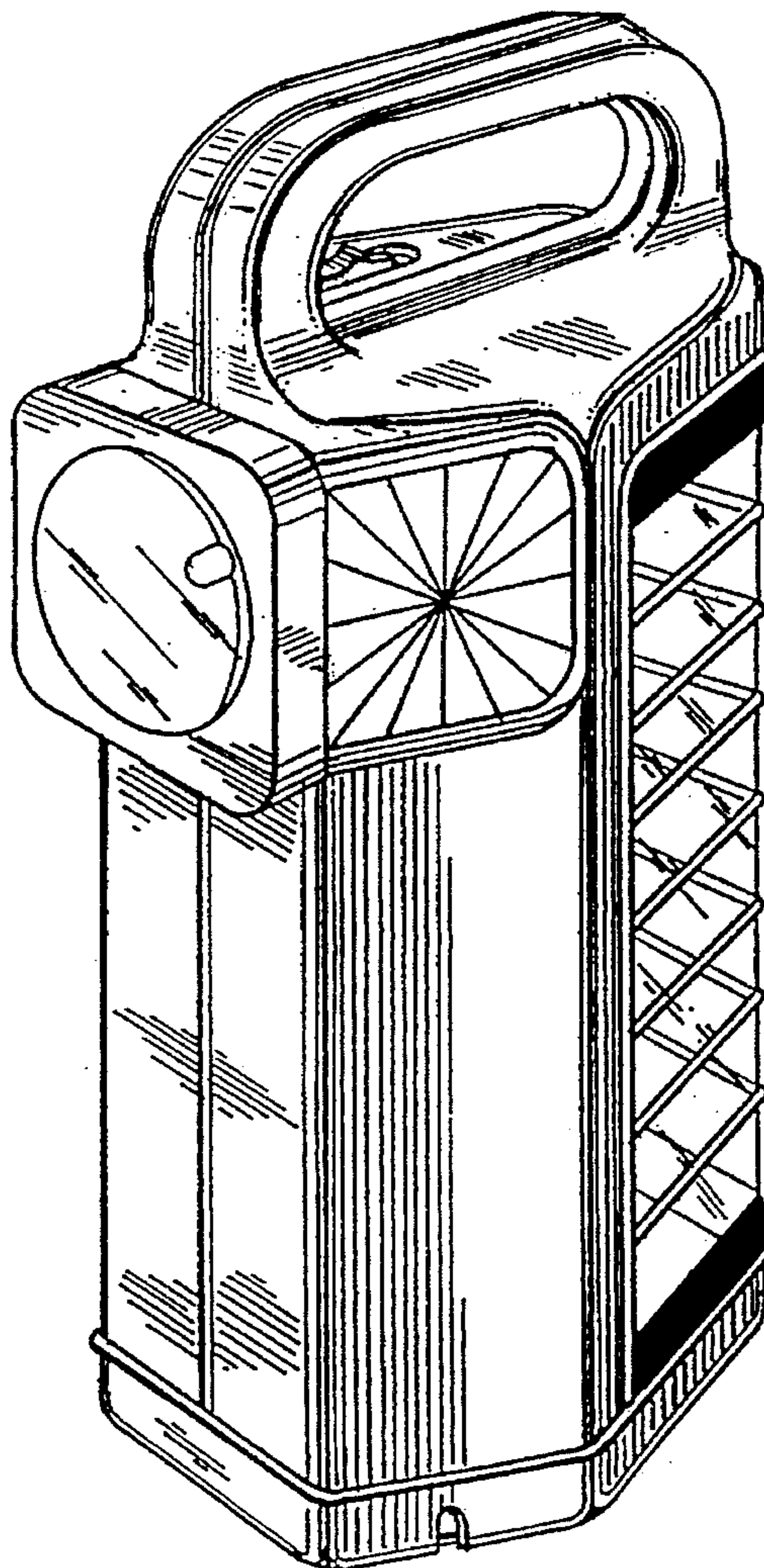


FIG. 1

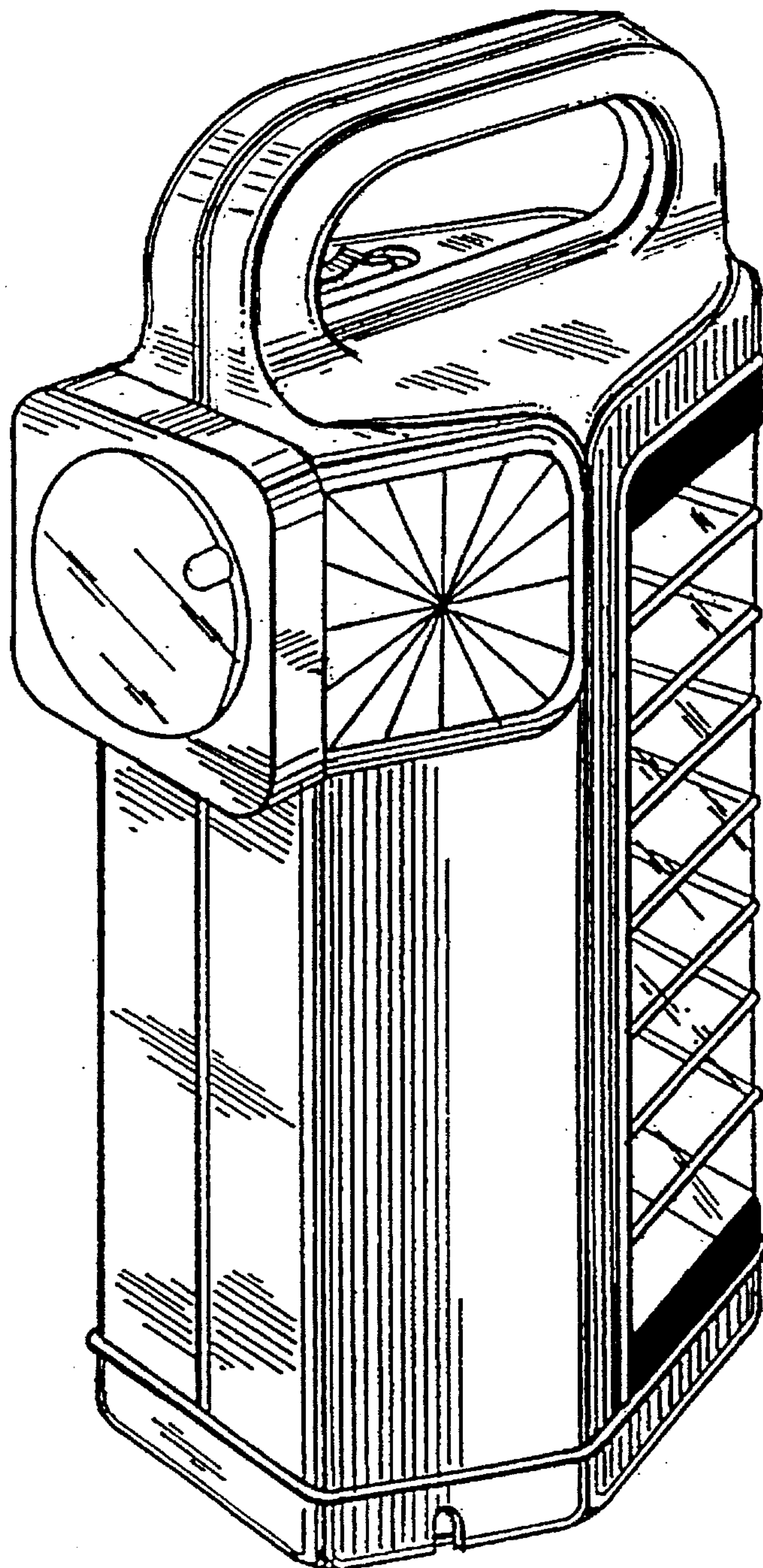
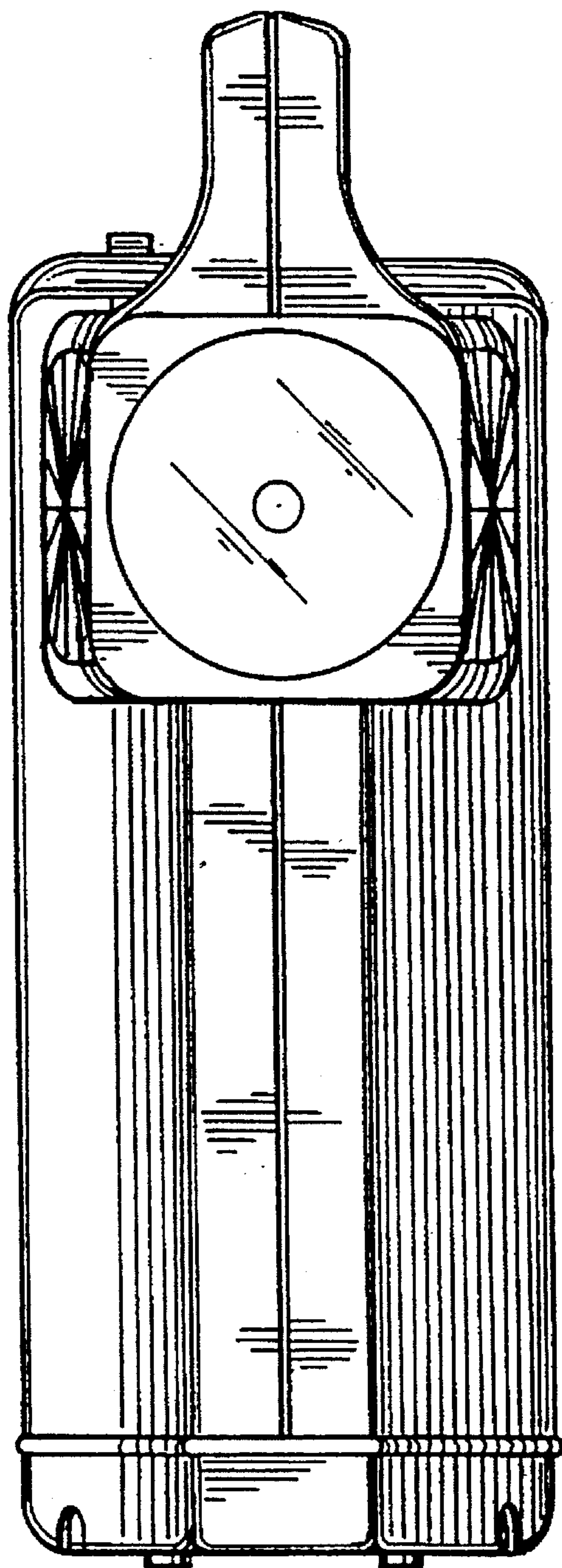


FIG. 2





# FIG. 3

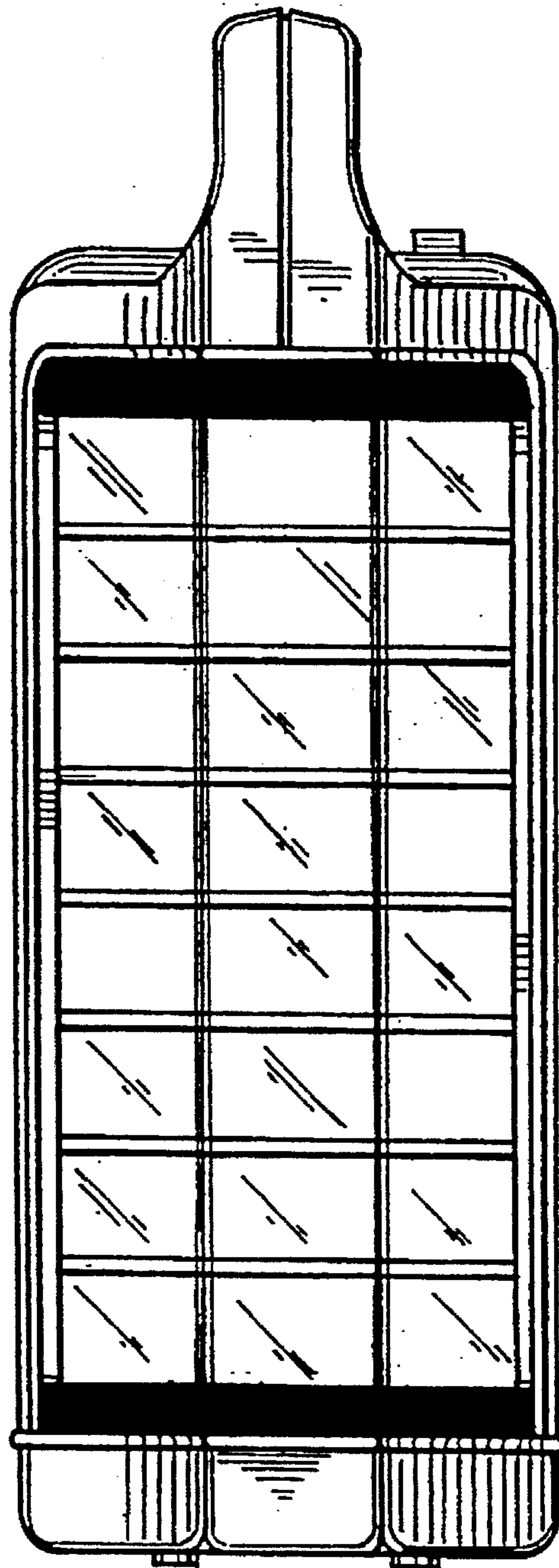
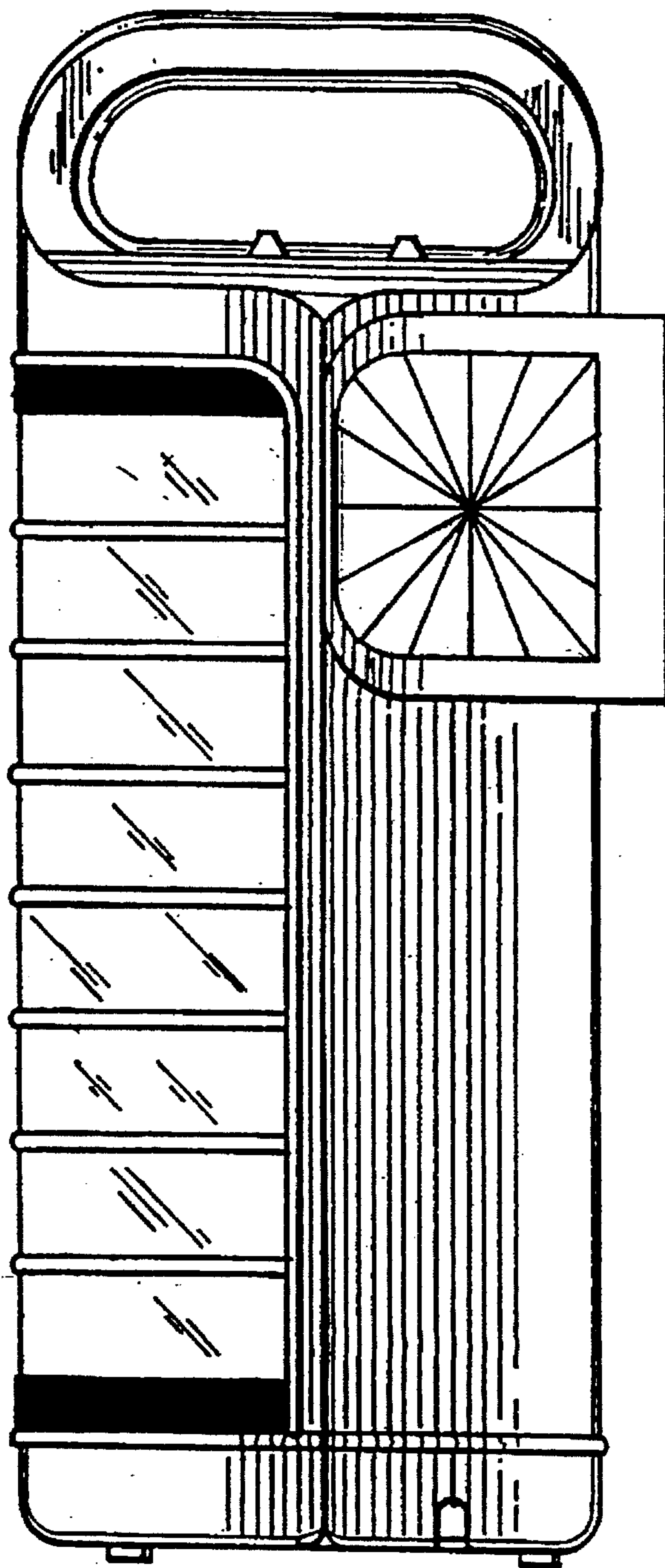


FIG. 4



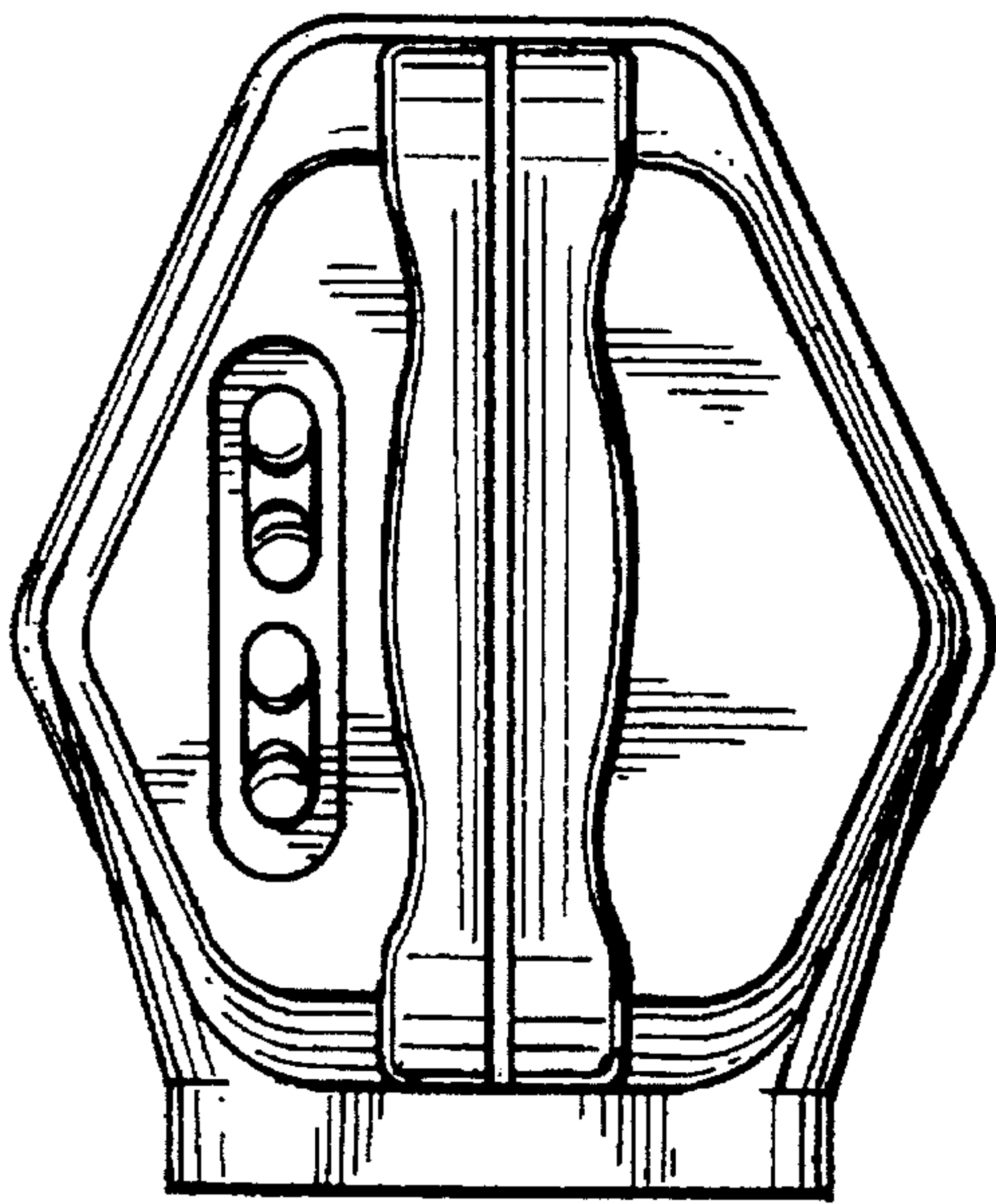


FIG. 5

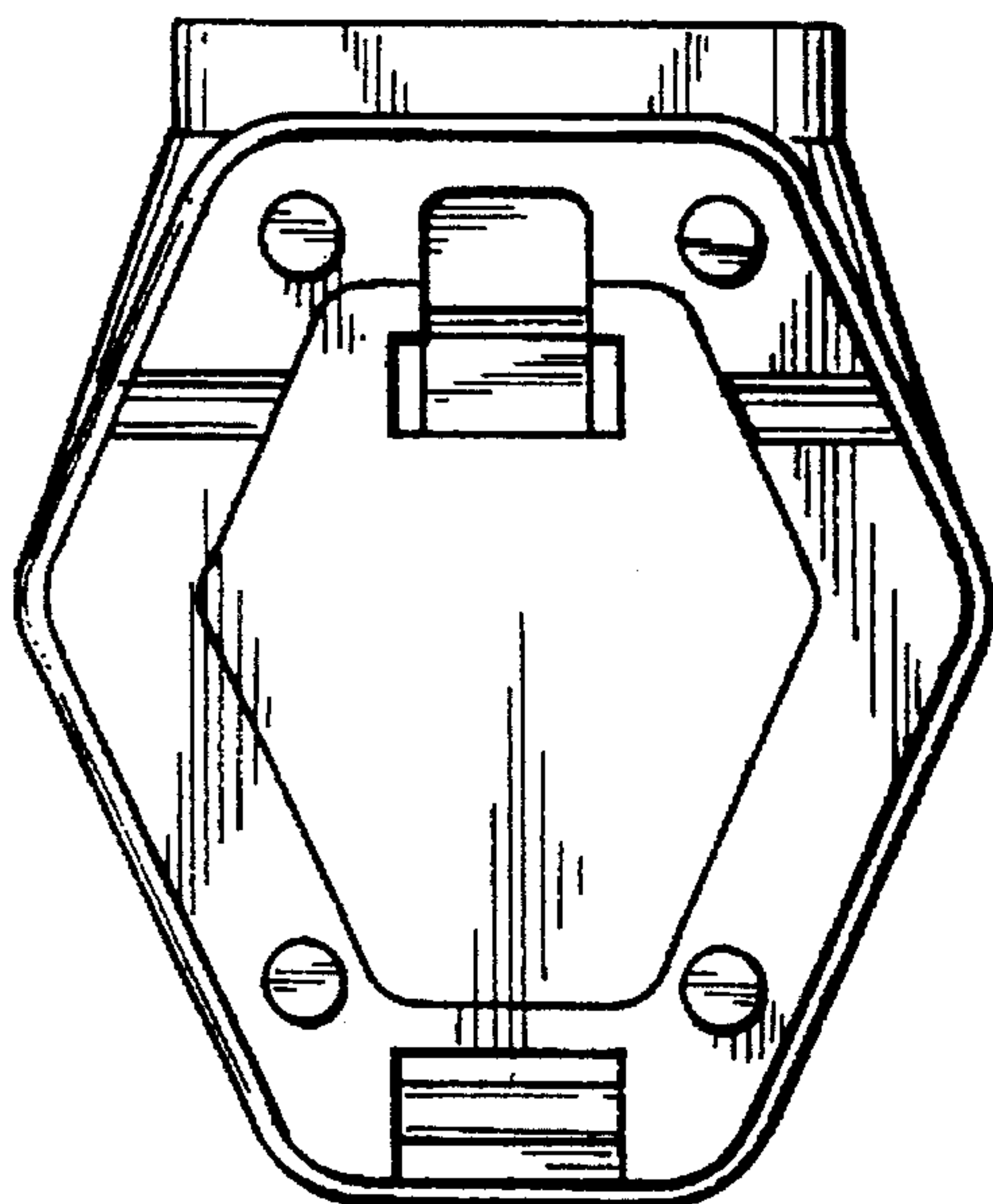


FIG. 6