



US00D368781S

United States Patent [19]

Custance et al.

[11] Patent Number: **Des. 368,781**

[45] Date of Patent: ****Apr. 9, 1996**

[54] **ALUMINIUM EXTRUSION**
[75] Inventors: **Jonathan D. Custance; Brandon D. Syme**, both of Wellington, New Zealand

[73] Assignee: **Icam Limited**, Wellington, New Zealand

[**] Term: **14 Years**

[21] Appl. No.: **27,625**

[22] Filed: **Aug. 25, 1994**

[30] Foreign Application Priority Data

Feb. 25, 1994 [NZ] New Zealand 25754
[52] U.S. Cl. **D25/122**
[58] Field of Search D25/121, 125,
D25/119, 124; 72/253.1, 273.5; 425/131.1,
516, DIG. 16, DIG. 243

[56] References Cited

U.S. PATENT DOCUMENTS

4,258,515 3/1981 Owen D25/122

FOREIGN PATENT DOCUMENTS

109428 10/1990 Australia .
109429 10/1990 Australia .
109430 10/1990 Australia .
109431 10/1990 Australia .

109432 10/1990 Australia .
111210 6/1991 Australia .
114582 7/1992 Australia .
115036 9/1992 Australia .
116010 12/1992 Australia .
116015 12/1992 Australia .
116831 4/1993 Australia .

OTHER PUBLICATIONS

Anchor Extruded Plastics Catalog, ©1960, Extrusion on bottom right of page 51, labeled LS-7.

Primary Examiner—Doris Clark
Attorney, Agent, or Firm—Merchant, Gould, Smith, Edell, Welter & Schmidt

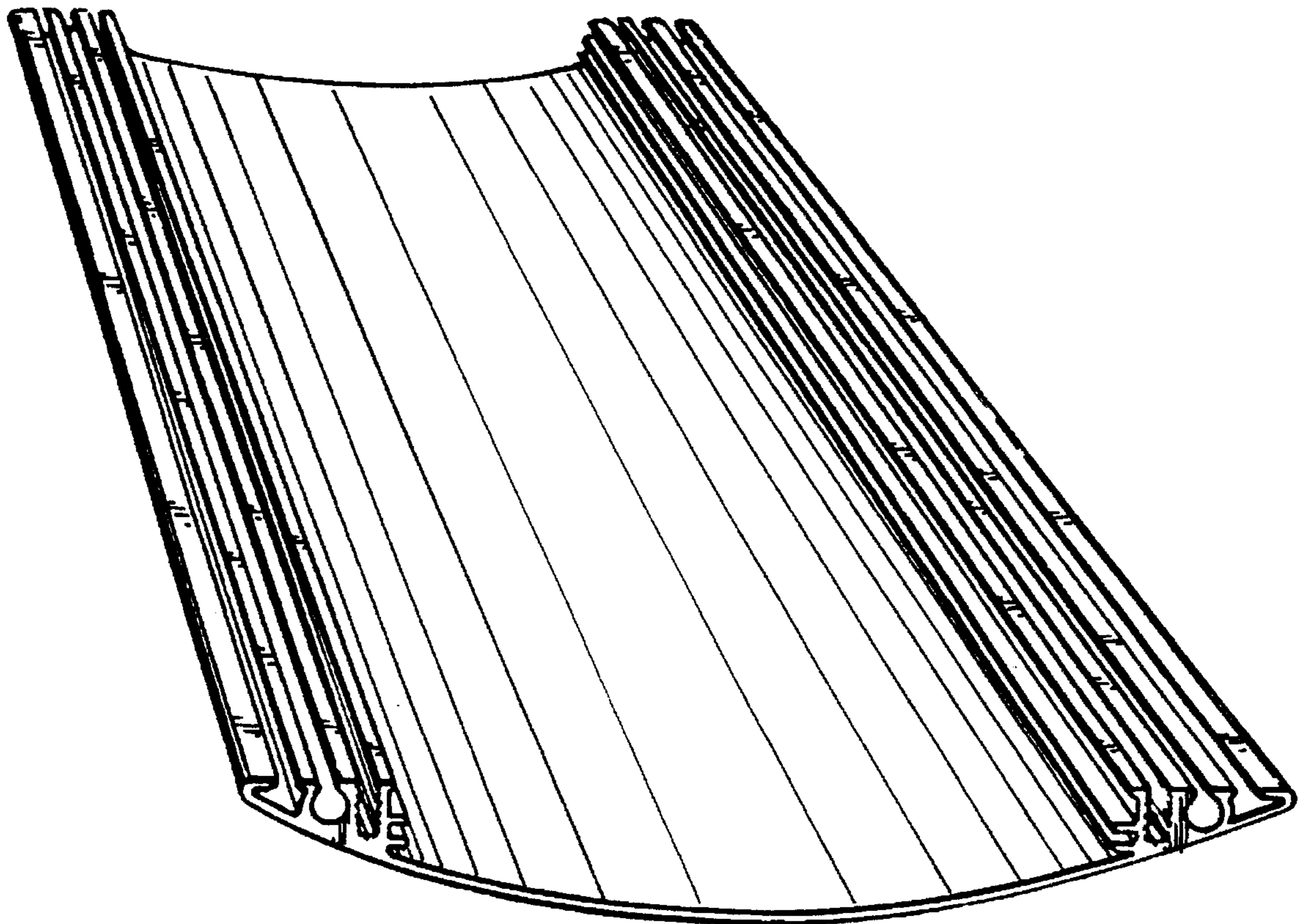
[57] CLAIM

The ornamental design for an aluminium extrusion, as shown and described.

DESCRIPTION

FIG. 1 is a perspective view of an aluminium extrusion showing our new design;
FIG. 2 is a top plan view;
FIG. 3 is a front elevational view, the rear elevational view being a mirror image thereof;
FIG. 4 is a bottom plan view; and,
FIG. 5 is a right side elevational view, the left side elevational view being a mirror image thereof.

1 Claim, 2 Drawing Sheets



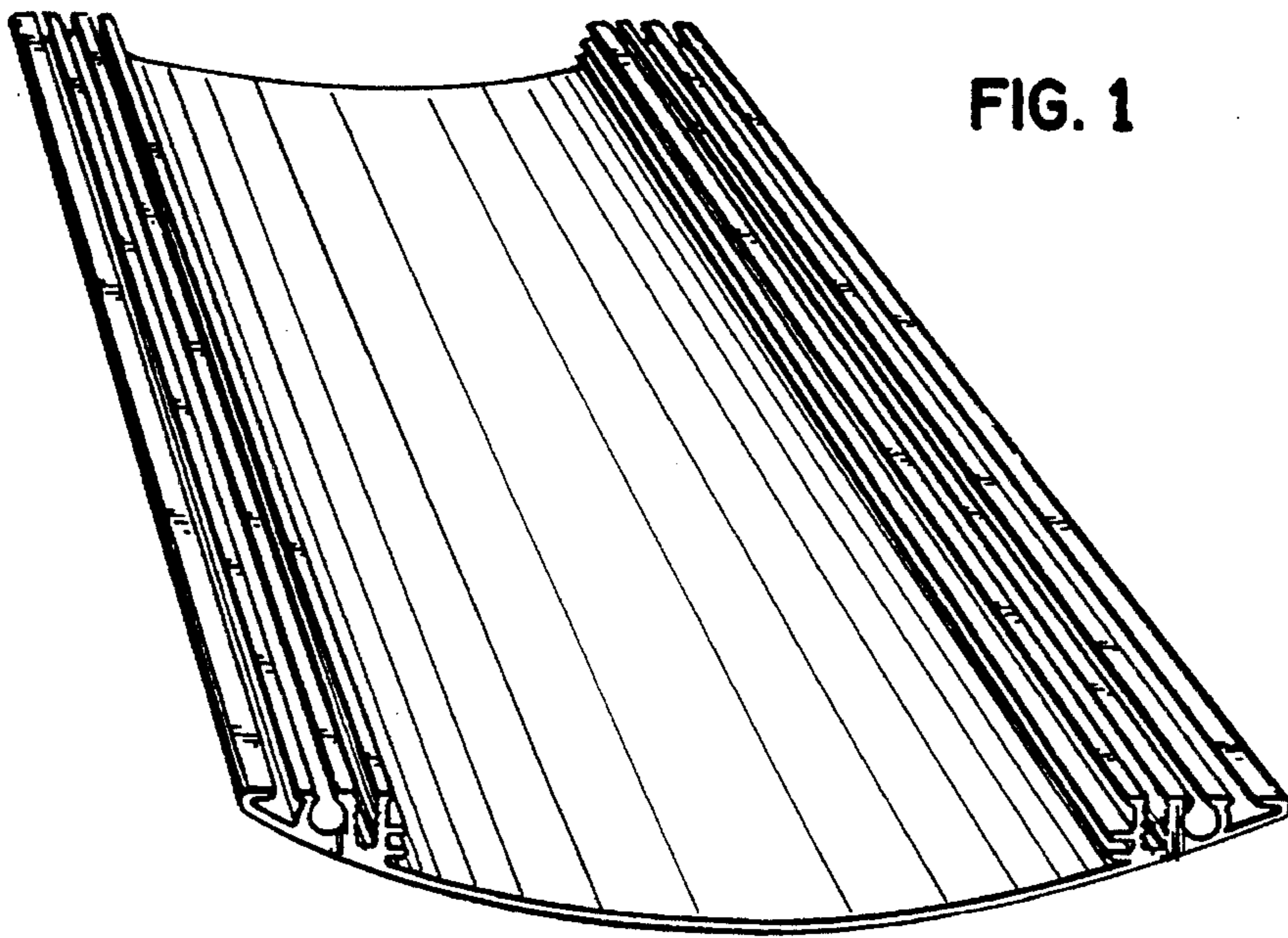


FIG. 1

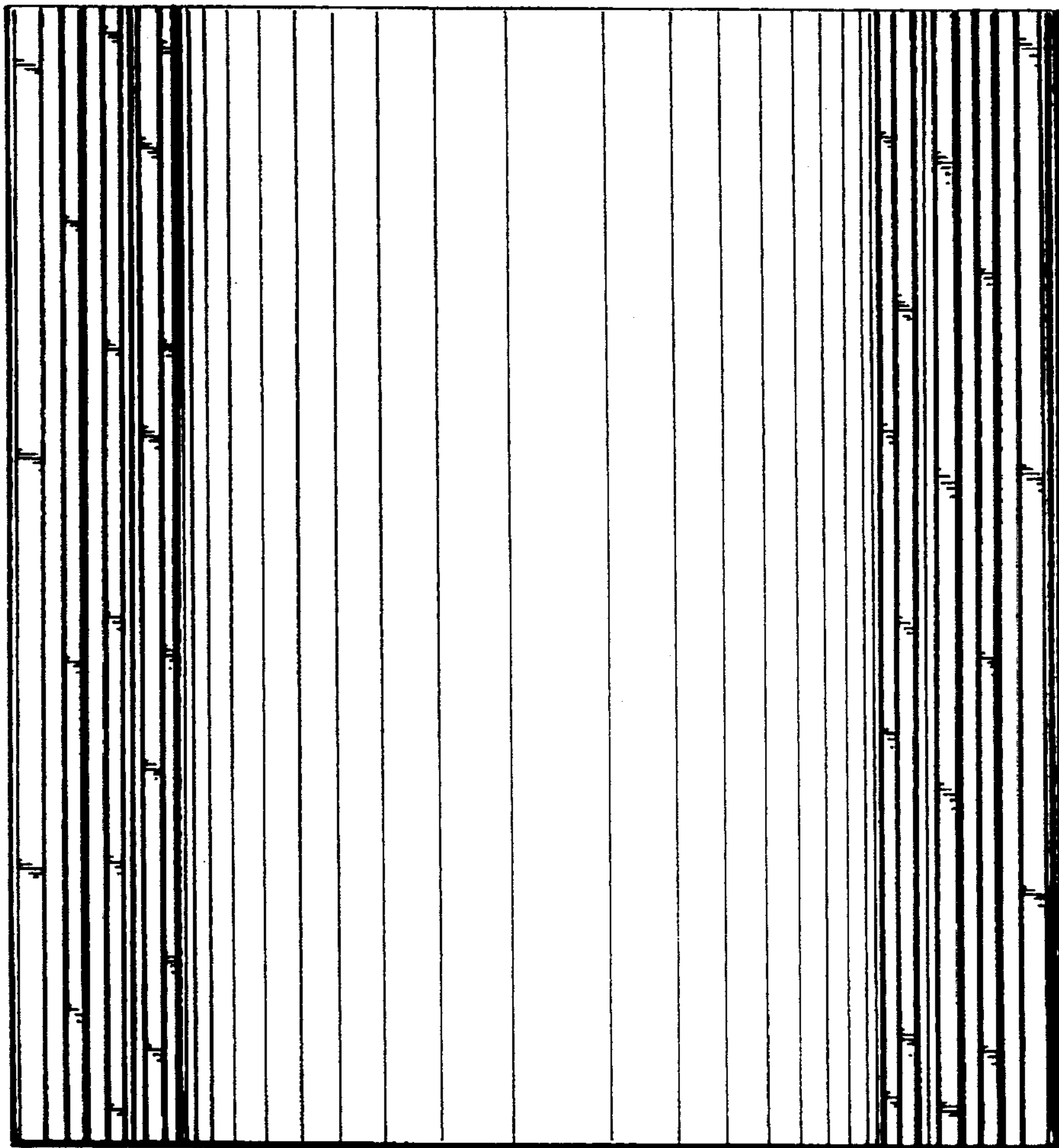


FIG. 2



FIG. 3

FIG. 4

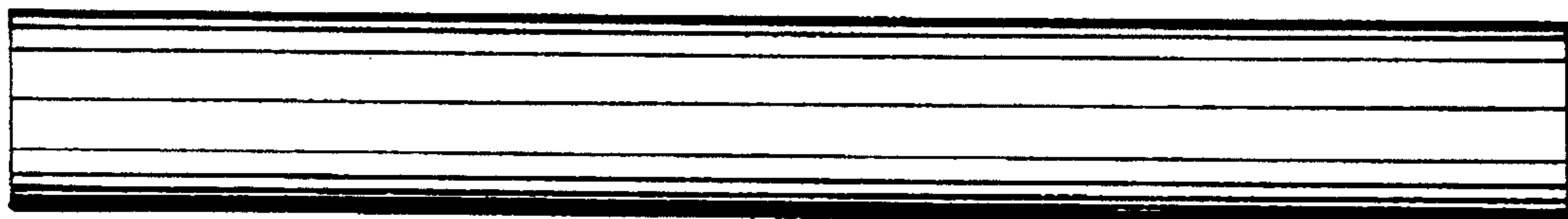
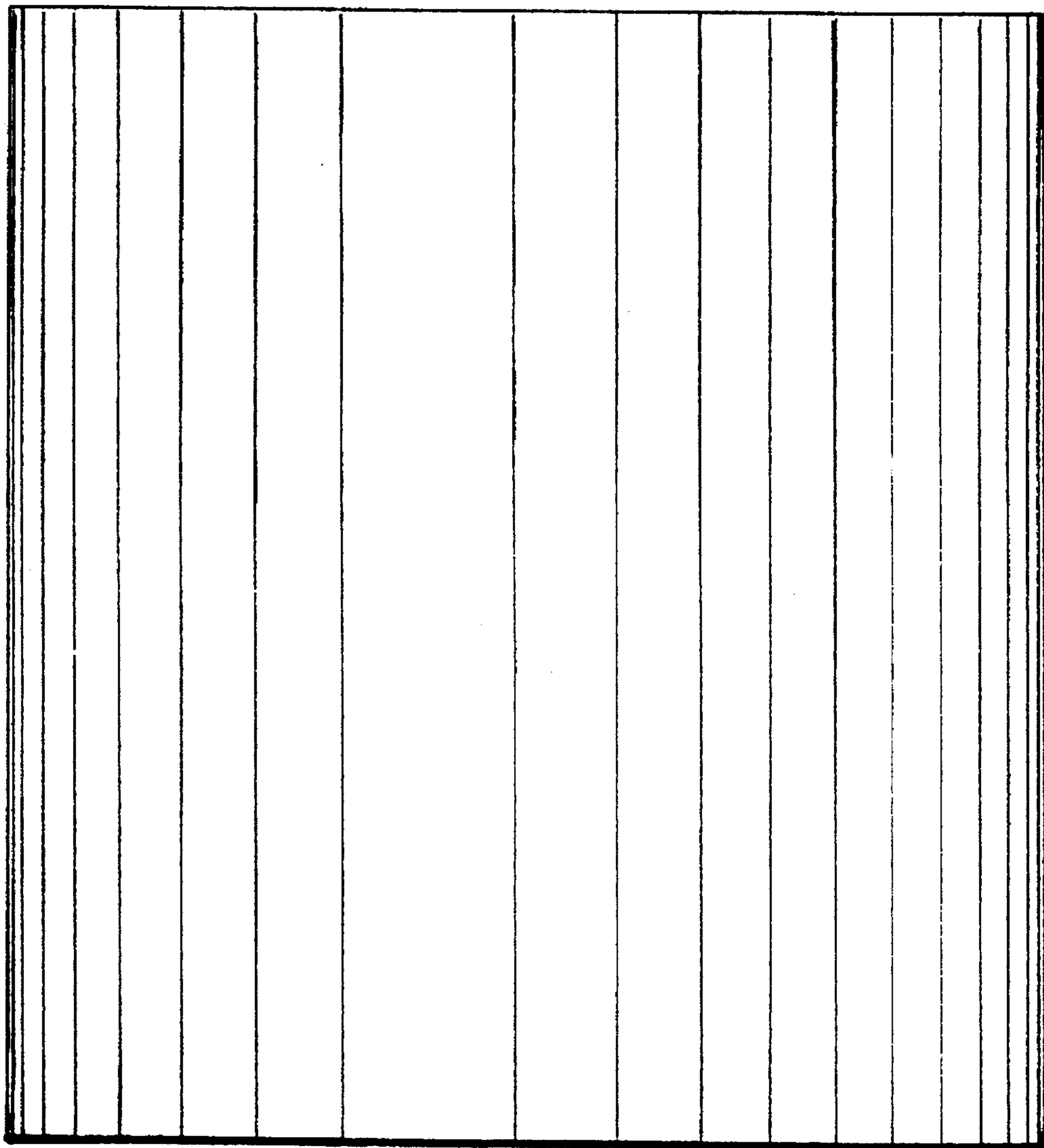


FIG. 5