



US00D368777S

United States Patent [19]

[11] Patent Number: **Des. 368,777**

Goble et al.

[45] Date of Patent: ****Apr. 9, 1996**

- [54] **ORTHOPAEDIC WASHER**
- [75] Inventors: **E. Marlowe Goble; David P. Luman,**
both of Logan, Utah; **S. Kyle Hayes,**
Warsaw, Ind.
- [73] Assignee: **Zimmer, Inc.,** Warsaw, Ind.
- [**] Term: **14 Years**
- [21] Appl. No.: **14,648**
- [22] Filed: **Sep. 15, 1993**
- [52] U.S. Cl. **D24/145; D24/146; D24/147**
- [58] Field of Search **D24/140, 145,**
D24/146, 155; 606/72, 73, 75, 220, 61,
60, 53, 96, 59, 216, 105, 151, 232

0520177A1 12/1992 European Pat. Off. A61F 2/08
 1558965 1/1980 United Kingdom .
 WO90/00370 1/1990 WIPO A61B 17/08

OTHER PUBLICATIONS

Linvatec Catalog—pp. 77 and 81—Spiked Washers and Fixation Staples, respectively—1992.
 Zimmer Catalog—pp. B88,B89,B90,B91,C57—Staples and Washers—1987.
 Synthes Catalog—p. 44—Spiked Washer—1977 (Also related Synthes Bulletin).
 Manual of Internal Fixation—p. 29—Washers—1979.
 Howmedica Catalog—pp. D107,D108,E15,F28—Staples—1978.
 Howmedica Catalog—p. G33—I.C.L.H. Staple System—1984.
 Howmedica Ad—Ellison Staple—JBJS—Oct—1986.

[56] References Cited

U.S. PATENT DOCUMENTS

D. 280,550	9/1985	Pratt et al.	D24/27
D. 281,814	12/1985	Pratt et al.	D24/27
D. 284,509	7/1986	Johnson	D24/29
2,919,621	1/1960	Langdon	85/29
4,047,524	9/1977	Hall	128/69
4,263,903	4/1981	Griggs	128/92 B
4,278,091	7/1981	Borzzone	128/334 C
4,438,769	3/1984	Pratt et al.	128/334 R
4,454,875	6/1984	Pratt et al.	128/92 B
4,462,395	7/1984	Johnson	128/92 B
4,548,202	10/1985	Duncan	128/334 C
4,570,623	2/1986	Ellison et al.	128/92 B
4,592,346	6/1986	Jurgutis	128/92 B
4,607,638	8/1986	Crainich	128/335
4,655,222	4/1987	Florez et al.	128/334 R
4,723,540	2/1988	Gilmer, Jr.	128/92 YC
4,759,765	7/1988	Van Kampen	623/13
4,793,335	12/1988	Frey et al.	128/92 R
4,834,752	5/1989	Van Kampen	623/13
4,838,254	6/1989	Gauthier	128/92 YF
4,848,328	7/1989	Laboureau et al.	128/92 YC

(List continued on next page.)

FOREIGN PATENT DOCUMENTS

0033641B1	8/1981	European Pat. Off.	A61B 17/00
0406014A1	1/1991	European Pat. Off.	A61B 17/064
0488906A1	6/1992	European Pat. Off.	A61B 17/064

Primary Examiner—Louis S. Zarfes
Assistant Examiner—I. Simmons
Attorney, Agent, or Firm—Margaret L. Geringer

[57] CLAIM

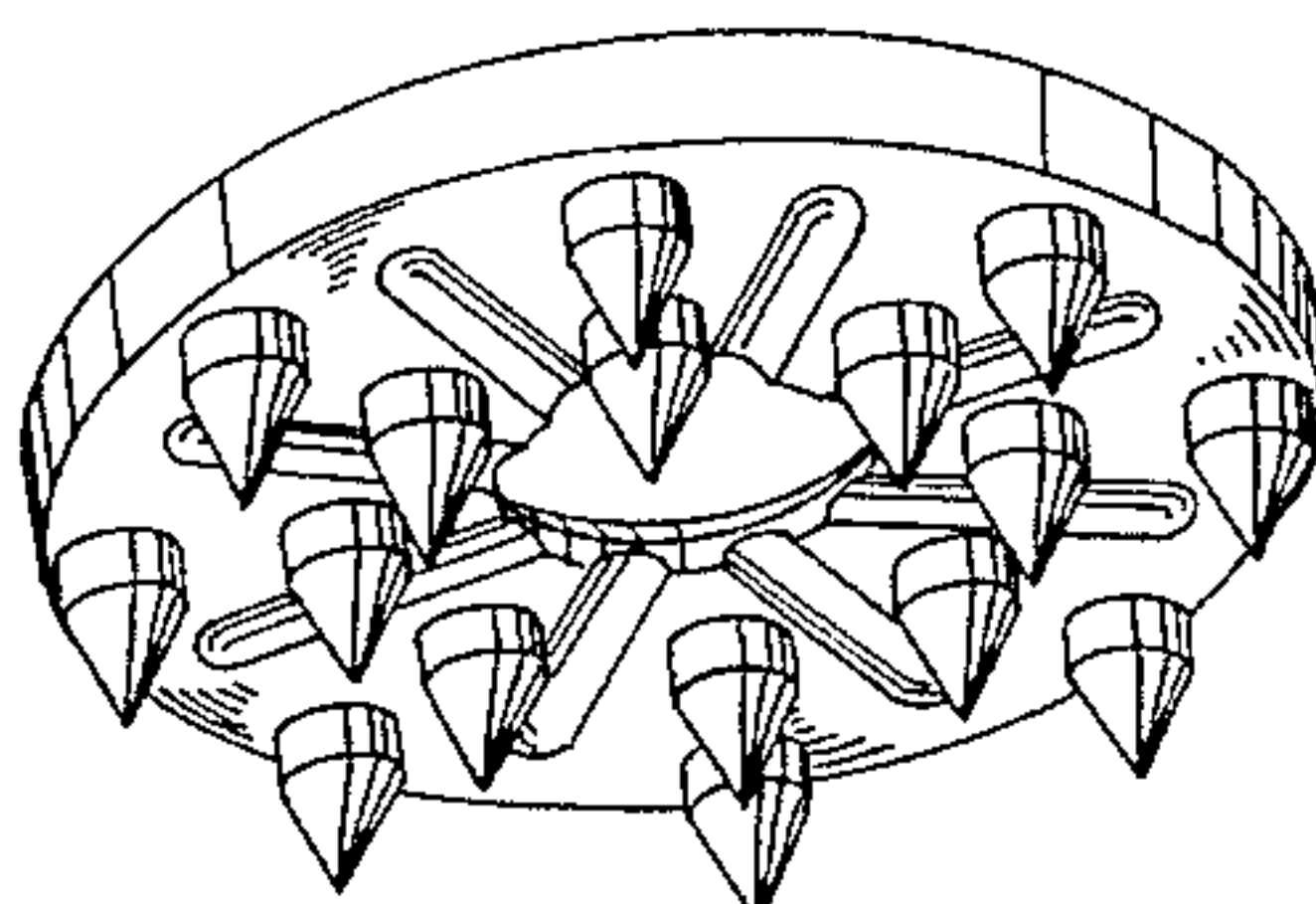
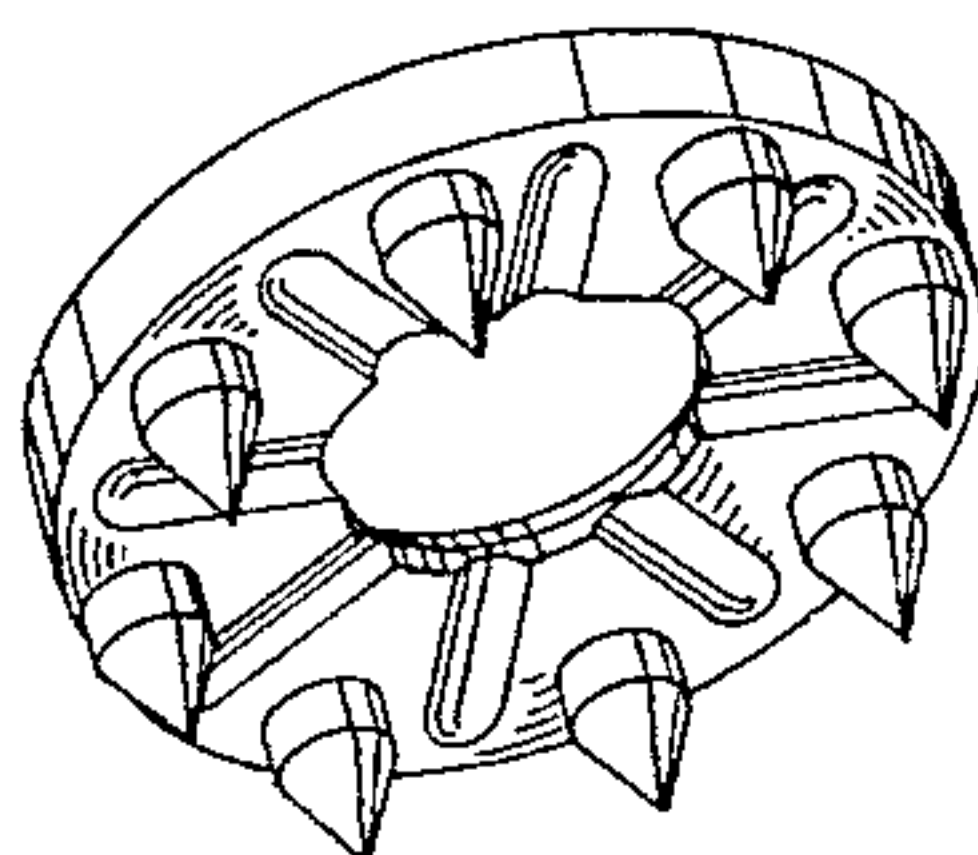
The ornamental design for an orthopaedic washer, as shown and described.

DESCRIPTION

FIG. 1 is a perspective view of an orthopaedic washer; FIG. 2 is a bottom plan view thereof; FIG. 3 is a side elevational view thereof; FIG. 4 is a top plan view thereof; FIG. 5 is a cross-sectional view thereof taken along lines 5—5 of FIG. 2; FIG. 6 is a perspective view of a second alternate embodiment of an orthopaedic washer; FIG. 7 is a bottom plan view thereof; FIG. 8 is a side elevational view thereof; FIG. 9 is a top plan view thereof; and, FIG. 10 is a cross-sectional view thereof taken along lines 10—10 of FIG. 7.

The broken line showing of the screw member in FIGS. 3 and 8 and is for illustrative purposes only and forms no part of the claimed design.

1 Claim, 2 Drawing Sheets



U.S. PATENT DOCUMENTS

4,852,558	8/1989	Outerbridge	128/92 YF	5,053,038	10/1991	Sheehan	606/75
4,913,144	4/1990	Del Medico	606/75	5,129,902	7/1992	Goble et al.	606/65
4,955,898	9/1990	Matsutani et al.	606/219	5,167,665	12/1992	McKinney	606/75
4,960,420	10/1990	Goble et al.	606/72	5,209,756	5/1993	Seedhom et al.	606/151
4,988,351	1/1991	Paulos et al.	606/72	5,234,431	8/1993	Keller	606/61 X
5,013,316	5/1991	Goble et al.	606/72	5,250,058	10/1993	Miller et al.	606/220 X
				5,269,784	12/1993	Mast	606/73 X
				5,352,229	10/1994	Goble et al.	606/72

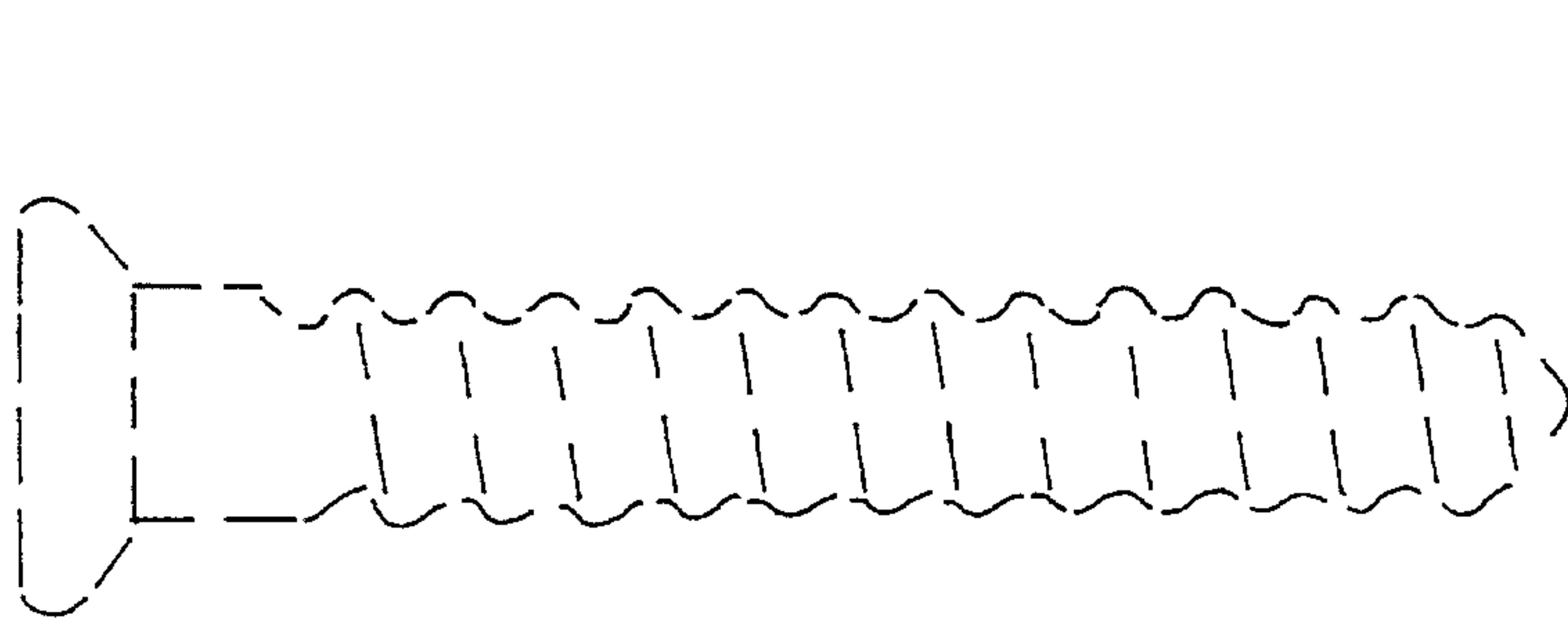


FIG. 1

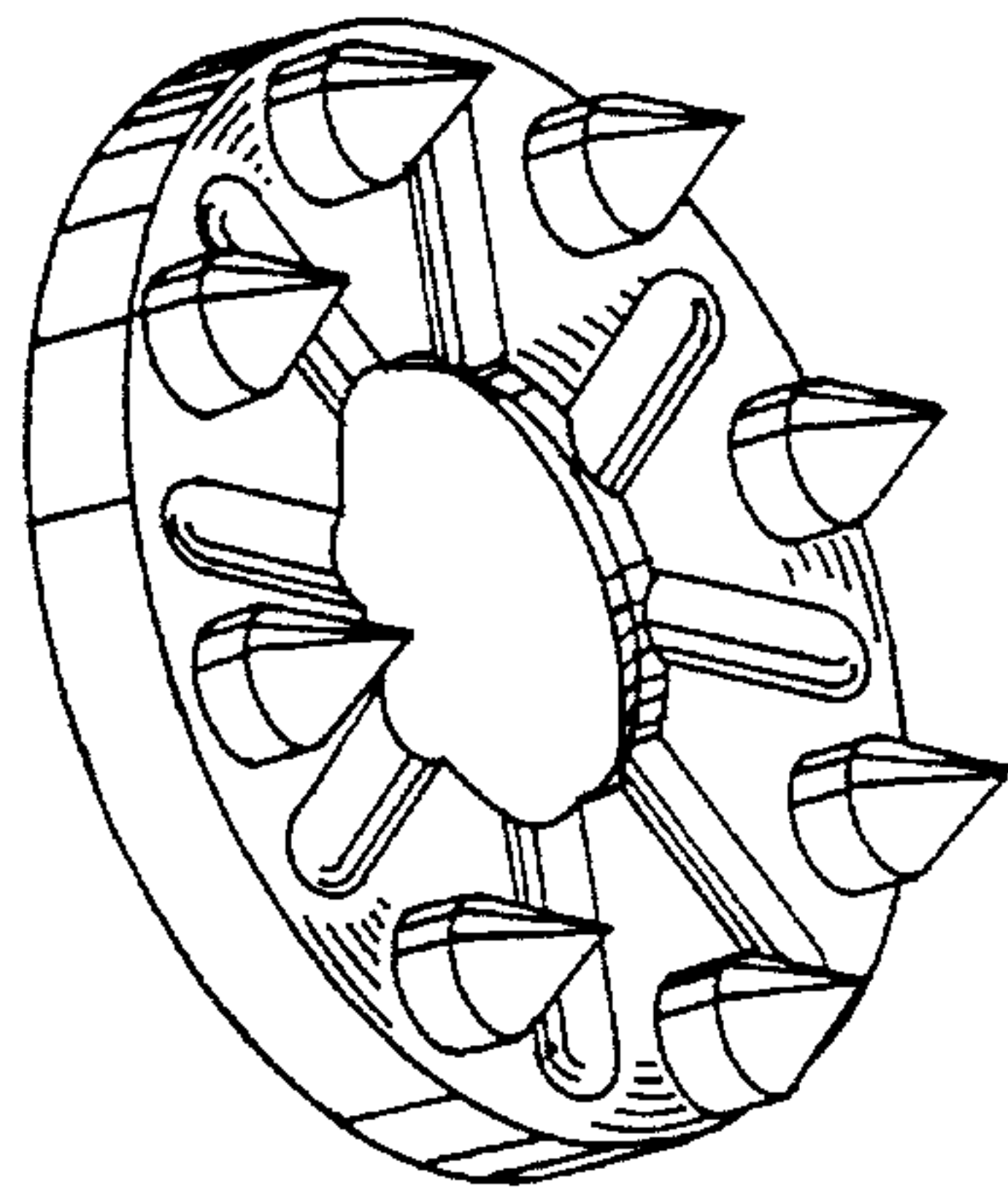


FIG. 2

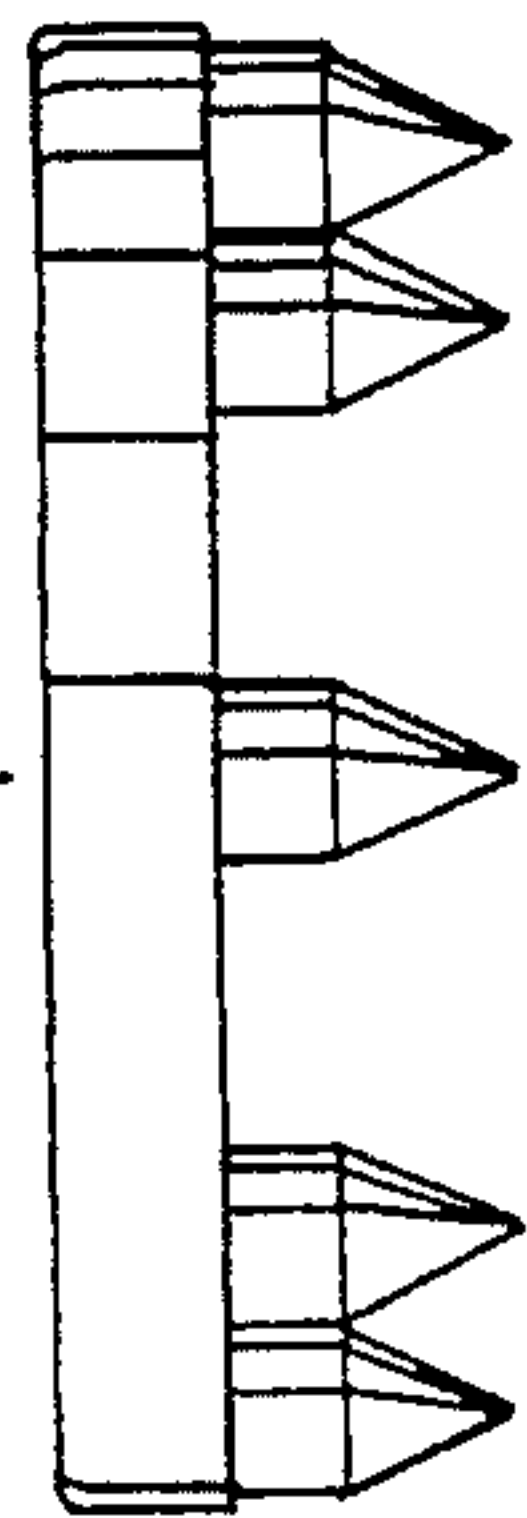


FIG. 3

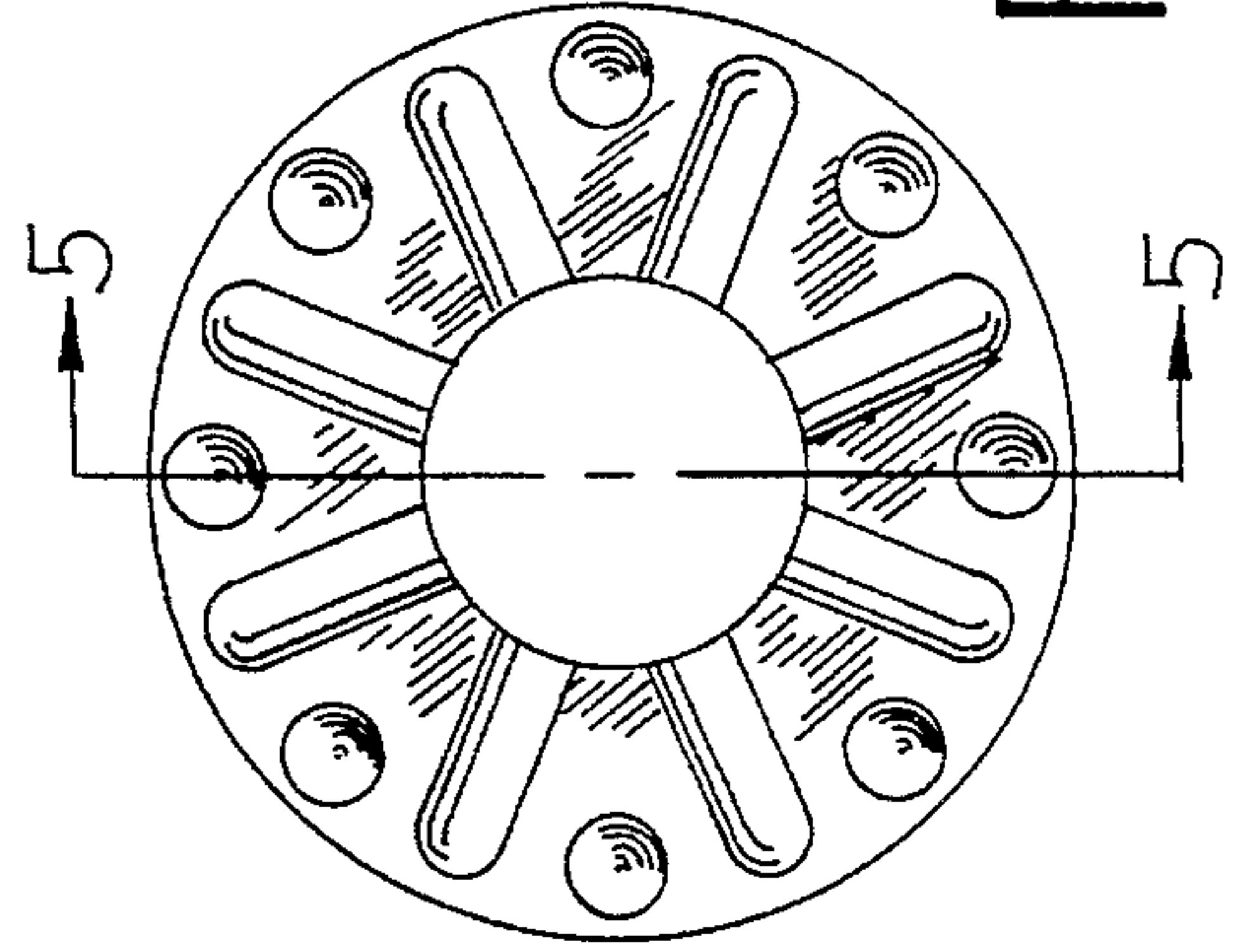


FIG. 4

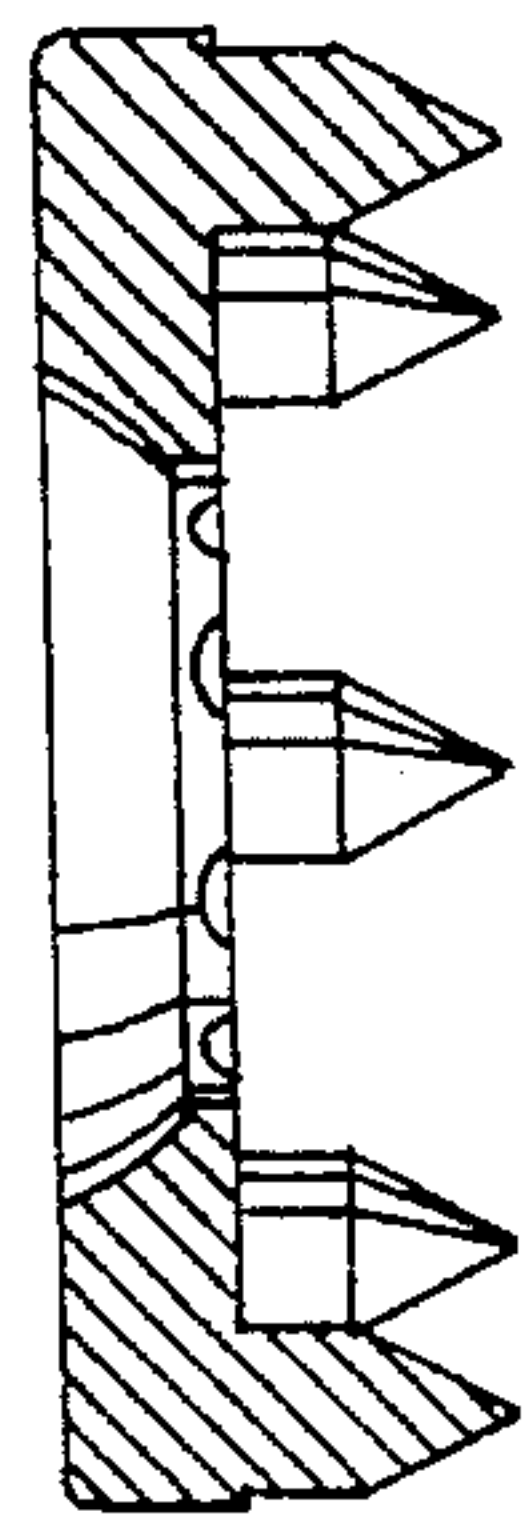


FIG. 5

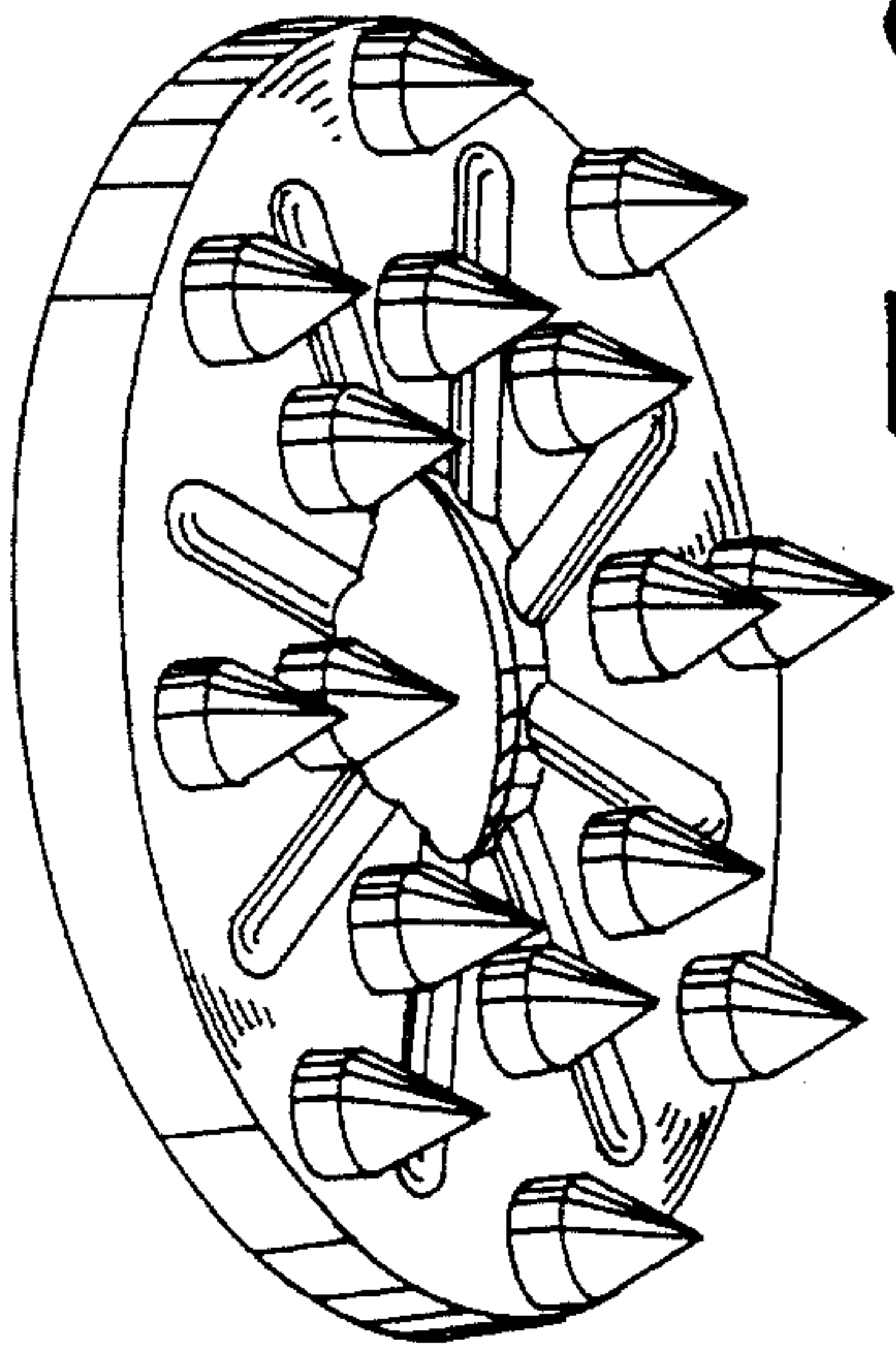


FIG. 6

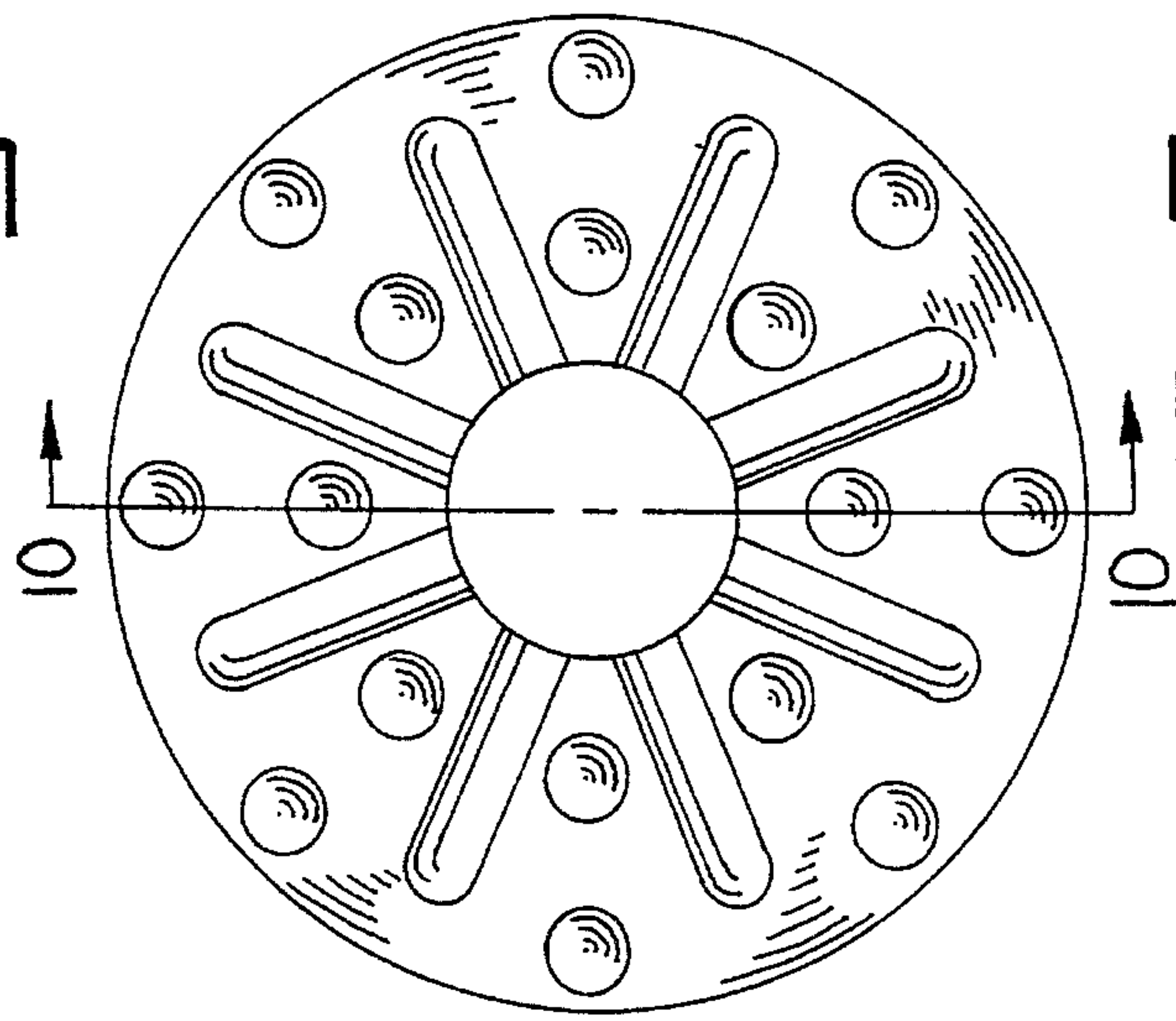


FIG. 7

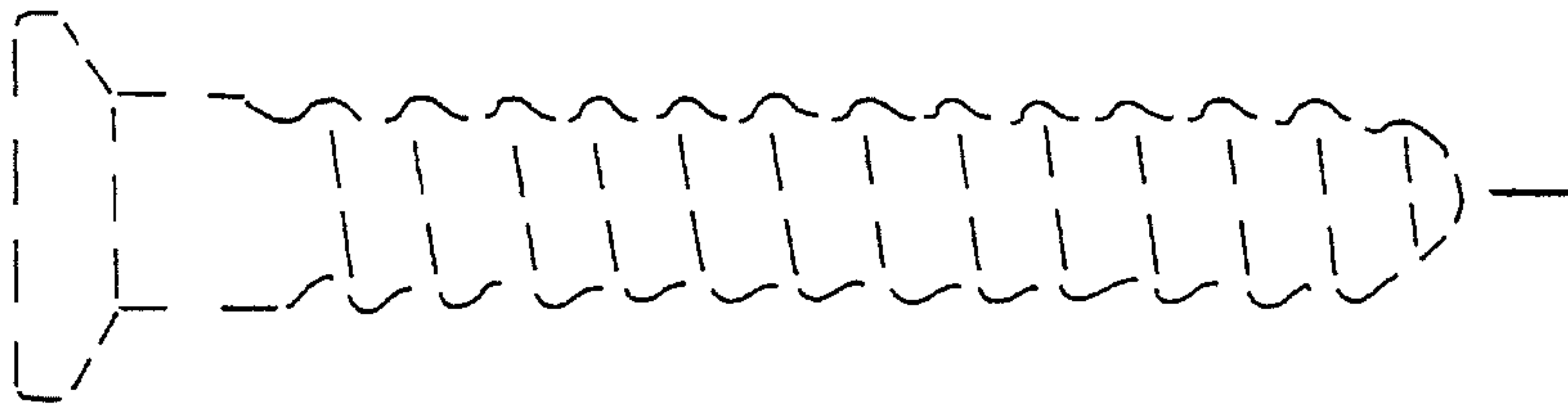


FIG. 8

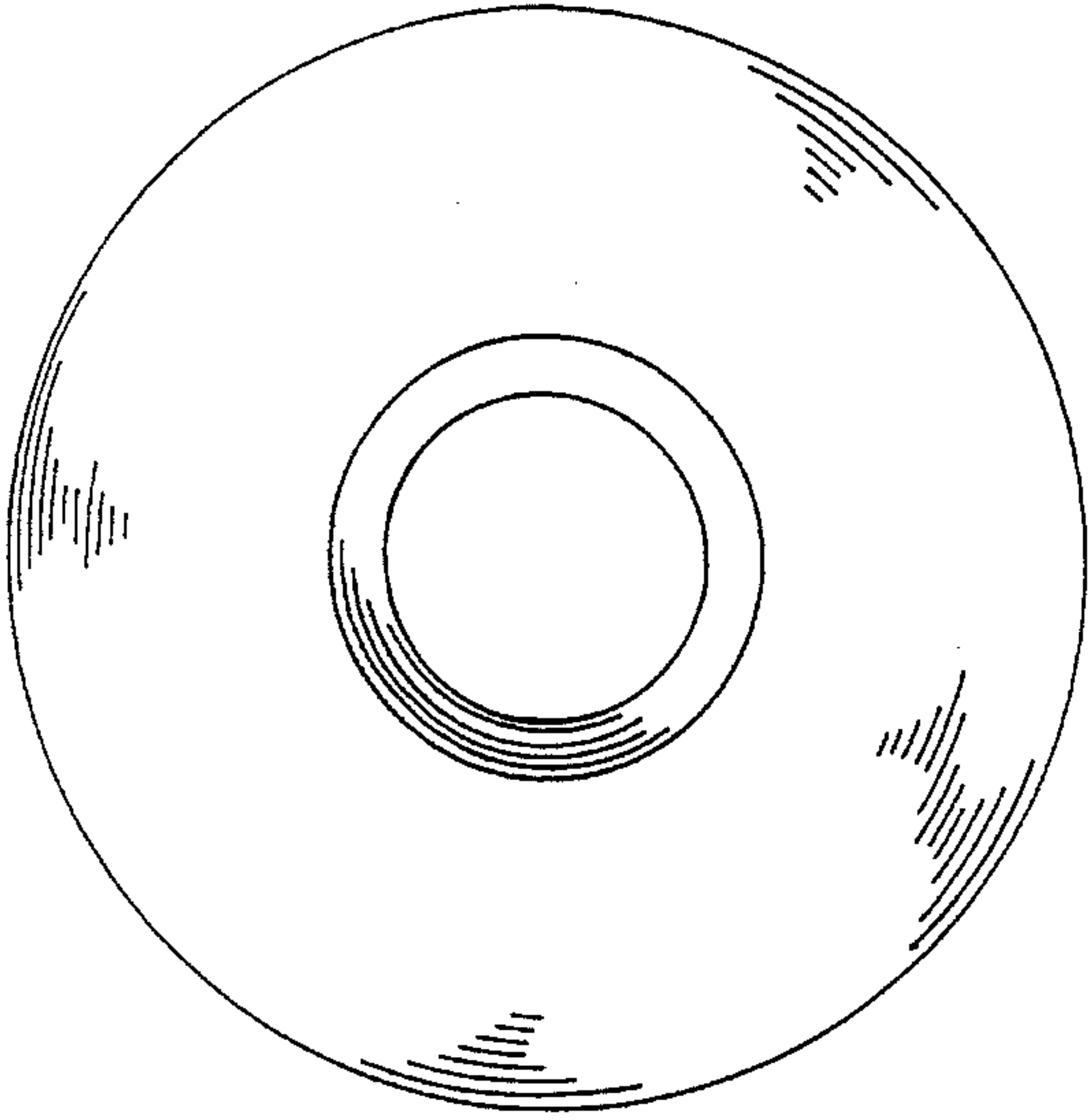


FIG. 9

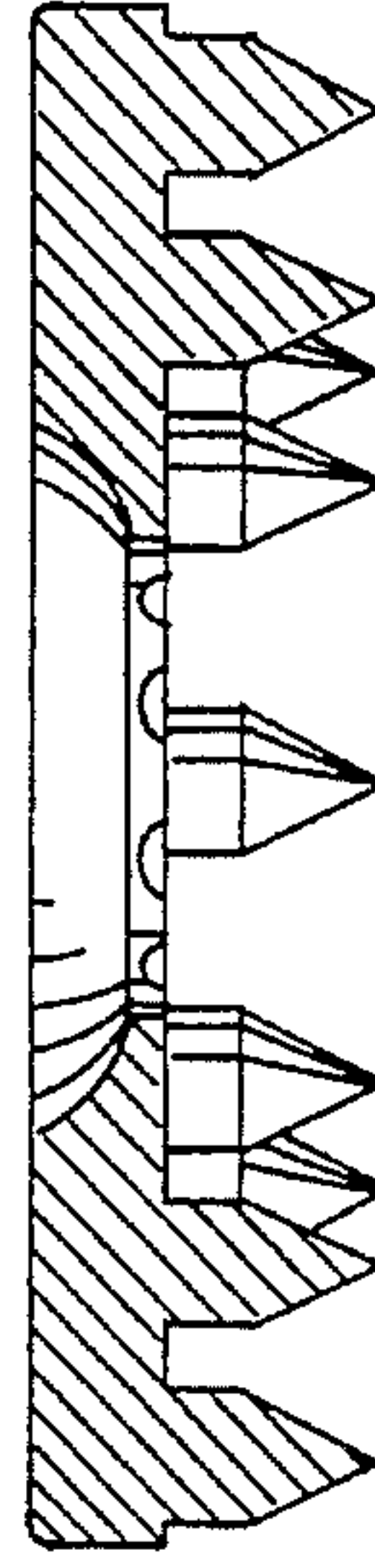


FIG. 10