



US00D368776S

United States Patent [19]

Toy et al.

[11] Patent Number: **Des. 368,776**

[45] Date of Patent: ****Apr. 9, 1996**

[54] **SURGICAL INSTRUMENT FOR SUTURING**

[76] Inventors: **Frederick K. Toy**, 565 N. Hall St.; **Roy T. Smoot, Jr.**, Rte. 4, Box 239; **Robert H. LaPrad**, Rte. 1 Box 337 B W, all of Seaford, Del. 19973

[**] Term: **14 Years**

[21] Appl. No.: **14,349**

[22] Filed: **Oct. 19, 1993**

[52] U.S. Cl. **D24/145; D24/146**

[58] Field of Search **D24/145, 146, D24/147; 606/139, 144, 145, 146, 216, 151; 128/772**

[56] **References Cited**

U.S. PATENT DOCUMENTS

2,268,755	1/1942	Li	606/139
3,088,454	5/1963	Shute	D24/147 X
3,831,202	8/1974	Hulsen .	
3,831,585	8/1974	Brondy et al.	606/192
3,857,395	12/1974	Johnson et al. .	
3,998,230	12/1976	Miller	606/187
4,378,019	3/1983	Yamada .	
4,660,570	4/1987	Dombrowski	604/272 X
4,928,669	5/1990	Sullivan	128/772 X
4,952,207	8/1990	Lemieux	604/164
4,994,079	2/1991	Genese et al.	606/206
5,100,415	3/1992	Hayhurst	606/139
5,147,379	9/1992	Sabbaghian et al.	606/206
5,281,237	1/1994	Gimpelson	606/144
5,304,187	4/1994	Green et al.	608/151
5,320,629	6/1994	Noda et al.	606/139

Primary Examiner—Louis S. Zarfes

Assistant Examiner—I. Simmons

Attorney, Agent, or Firm—Dann, Dorfman, Herrell and Skillman; Henry H. Skillman

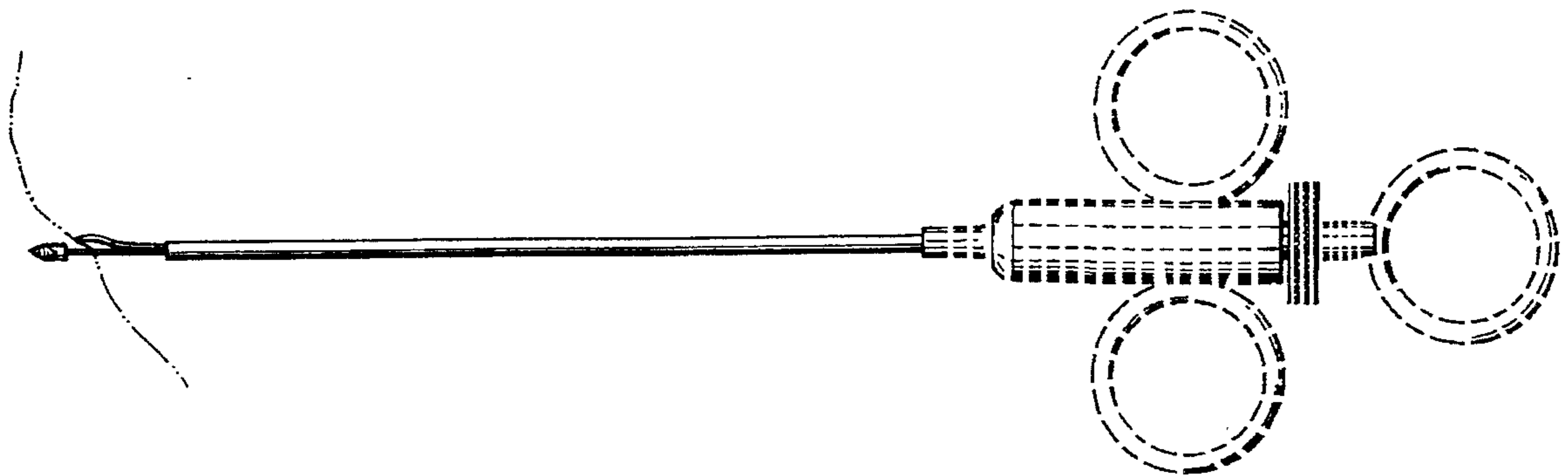
[57] **CLAIM**

The ornamental design for a surgical instrument for suturing, as shown and described.

DESCRIPTION

FIG. 1 is a front elevational view of a surgical instrument for suturing showing our new design, shown in open position, the rear elevational view being a mirror image thereof; FIG. 2 is a bottom plan view thereof; FIG. 3 is a top plan view thereof; FIG. 4 is a lefthand end elevational view thereof; FIG. 5 is a righthand end elevational view thereof; FIG. 6 is a front elevational view thereof, shown in closed position, the rear elevational view being a mirror image thereof; FIG. 7 is a front elevational view at an enlarged scale showing the distal end of the surgical instrument in open position; FIG. 8 is an enlarged fragmentary elevational view of the distal end of the instrument shown in closed position; and, FIG. 9 is a perspective view of the distal end of the instrument in the open position to receive a suture. The broken line showing of the handle and suture in FIGS. 1-6 and 9 is for illustrative purpose only and forms no part of the claimed design.

1 Claim, 3 Drawing Sheets



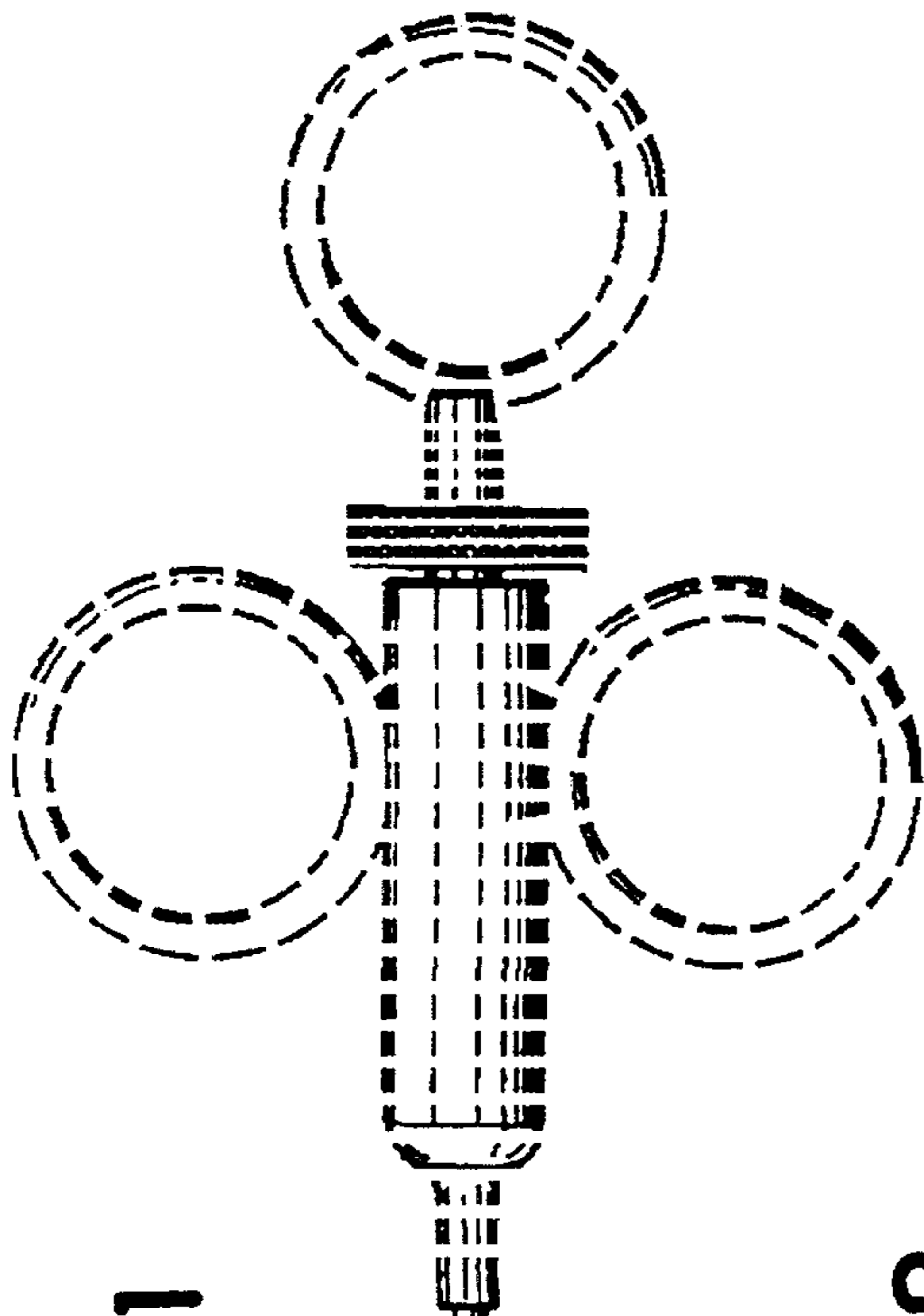


FIG. 1

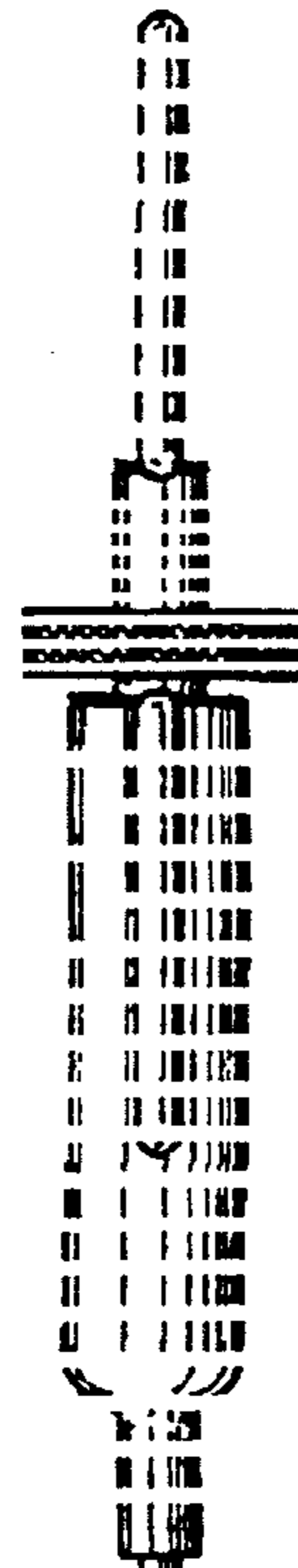


FIG. 2

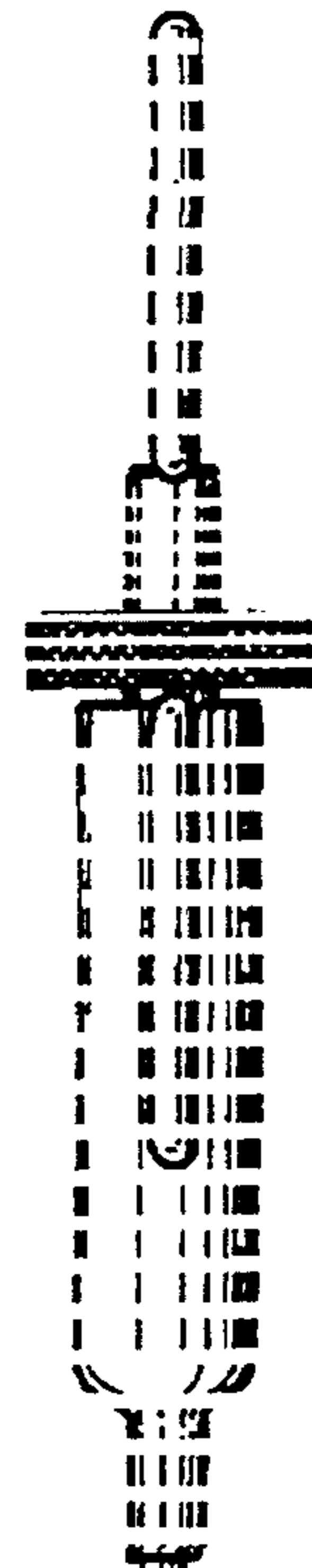


FIG. 3

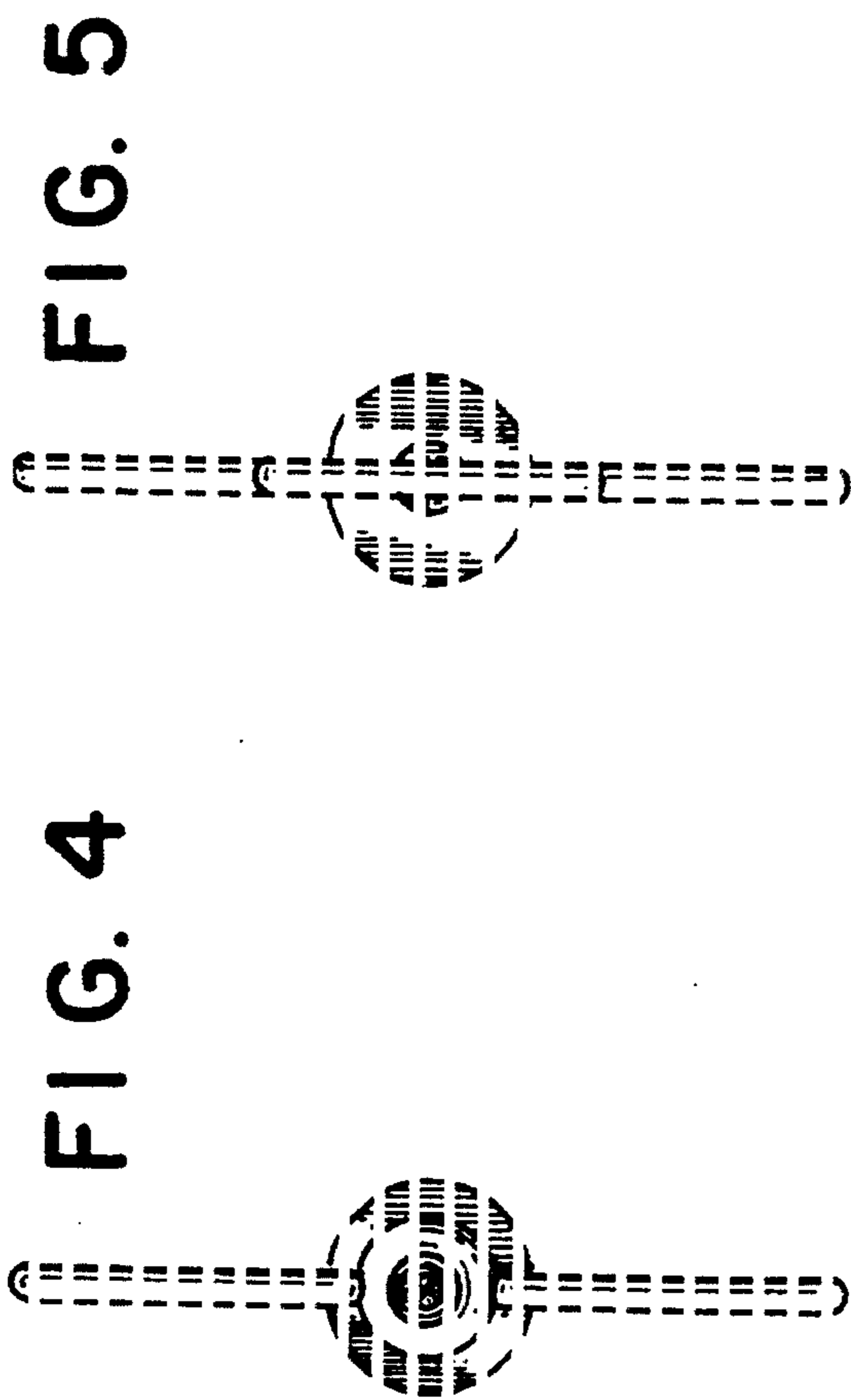
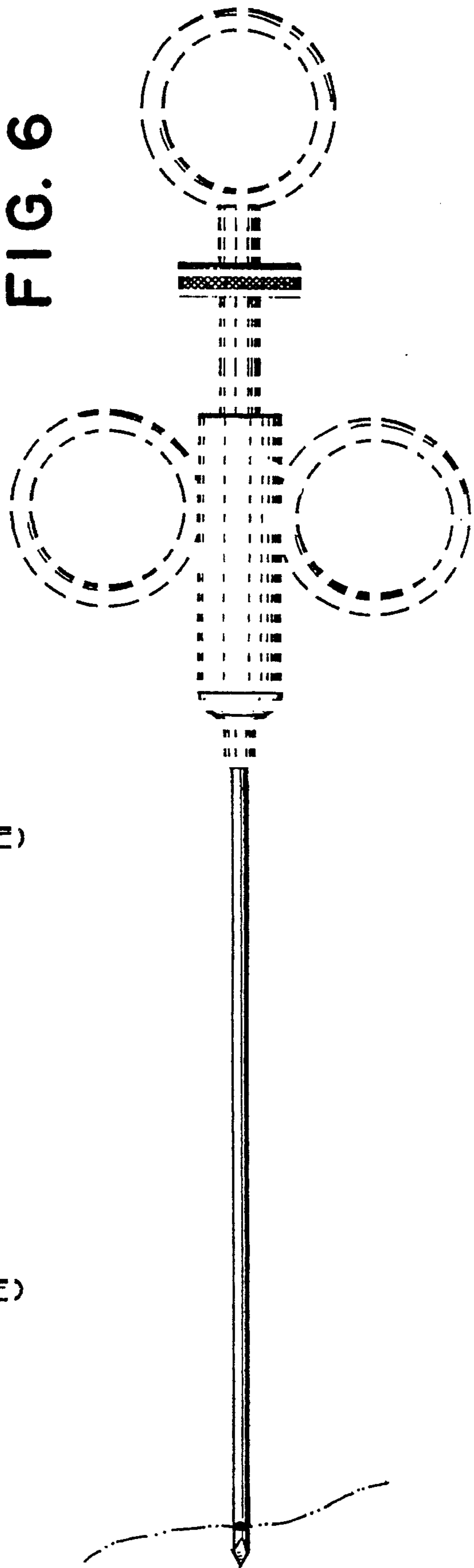


FIG. 6



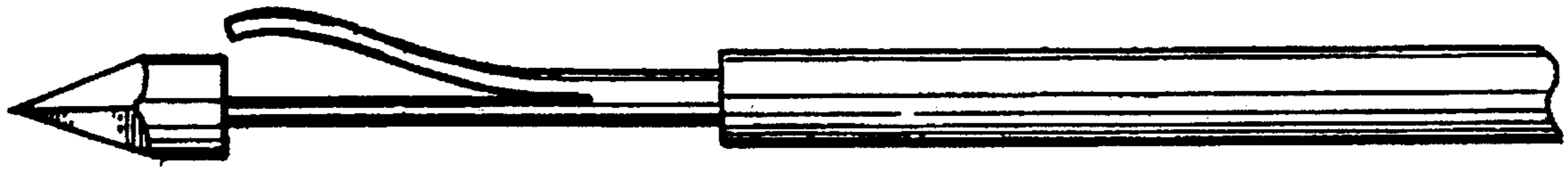


FIG. 7

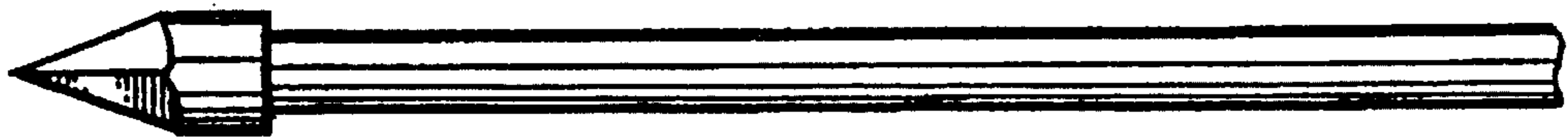
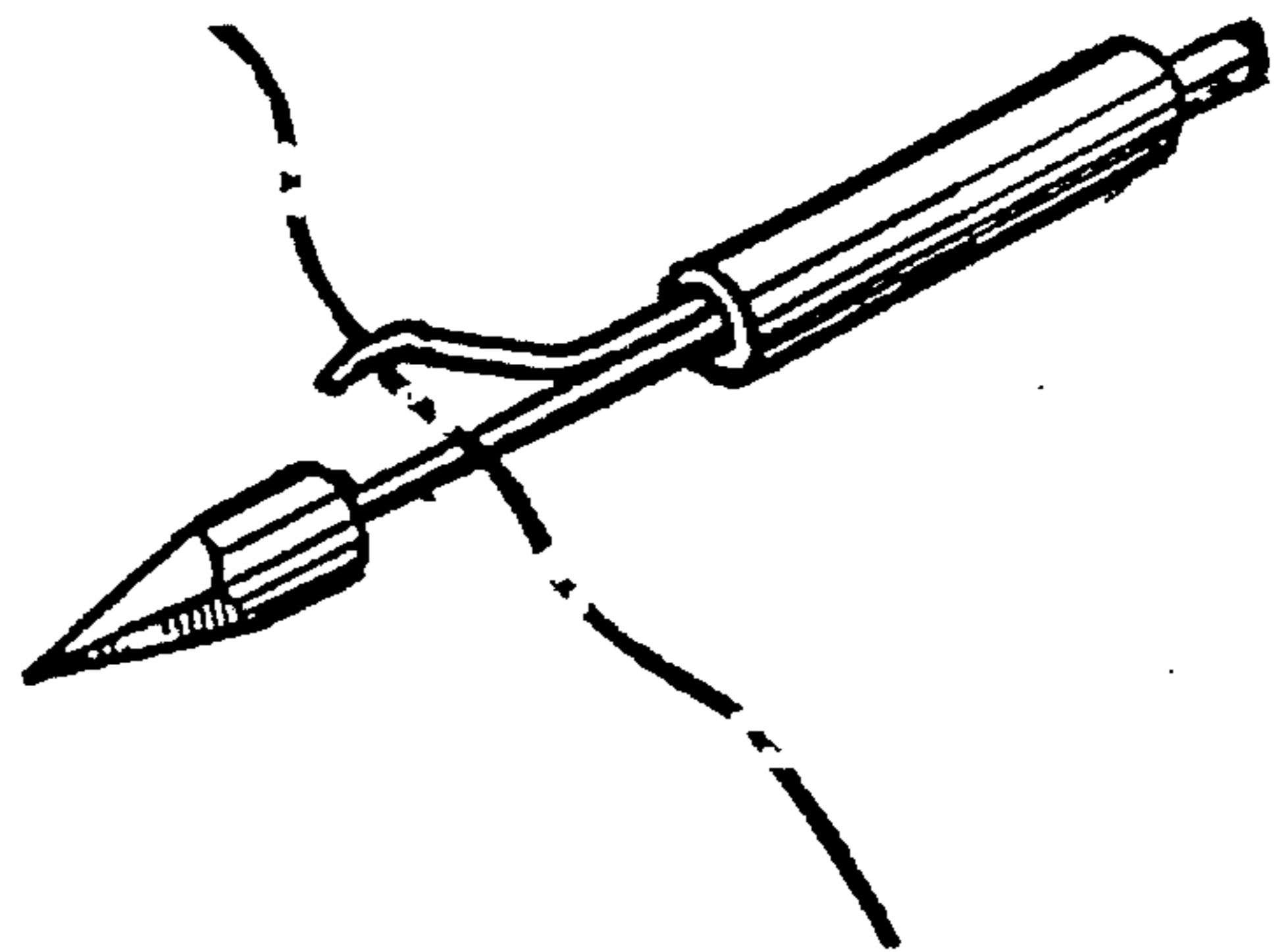


FIG. 8

FIG. 9



UNITED STATES PATENT AND TRADEMARK OFFICE
CERTIFICATE OF CORRECTION

PATENT NO. : Des. 368,776

DATED : April 9, 1996

INVENTOR : Frederick K. Toy et al.

It is certified that errors appear in the above-identified patent and that said Letters Patent is hereby corrected as shown below:

Column 2, lines 24 and 25, should read as follows: --Fig. 8 is an enlarged fragmentary bottom elevational view of the distal end shown in Fig. 7 with the sheath retracted; and--

Signed and Sealed this

Twenty-second Day of October, 1996

Attest:



BRUCE LEHMAN

Attesting Officer

Commissioner of Patents and Trademarks