



US00D368773S

United States Patent [19]
Atkinson et al.

[11] **Patent Number:** **Des. 368,773**
[45] **Date of Patent:** ****Apr. 9, 1996**

[54] **COMBINED SUCTION AND IRRIGATION
SURGICAL INSTRUMENT**

D. 352,780 11/1994 Glaeser et al. D24/144 X
4,400,168 8/1983 Buechel et al. D24/112 X
5,269,750 12/1993 Grulker et al. 604/34 X
5,334,140 8/1994 Phillips 604/35

[75] Inventors: **Robert W. Atkinson**, Dover; **Tim A. Donaldson**, Canton; **Michael J. Laco**, Sherrodsville; **Mark R. Rufener**, Dover, all of Ohio

Primary Examiner—Louis S. Zarfes
Assistant Examiner—I. Simmons
Attorney, Agent, or Firm—Todd A. Dawson

[73] Assignee: **Zimmer, Inc.**, Warsaw, Ind.

[57] **CLAIM**

[**] Term: **14 Years**

The ornamental design for a combined suction and irrigation surgical instrument, as shown and described.

[21] Appl. No.: **32,481**

DESCRIPTION

[22] Filed: **Oct. 20, 1994**

[52] U.S. Cl. **D24/112; D24/108; D24/129;
D24/133; D24/143; D24/146**

FIG. 1 is a perspective view of a combined suction and irrigation surgical instrument;
FIG. 2 is a front elevational view thereof;
FIG. 3 is a back elevational view thereof;
FIG. 4 is a top view thereof;
FIG. 5 is a bottom view thereof;
FIG. 6 is a right side view thereof; and,
FIG. 7 is a left side view thereof.

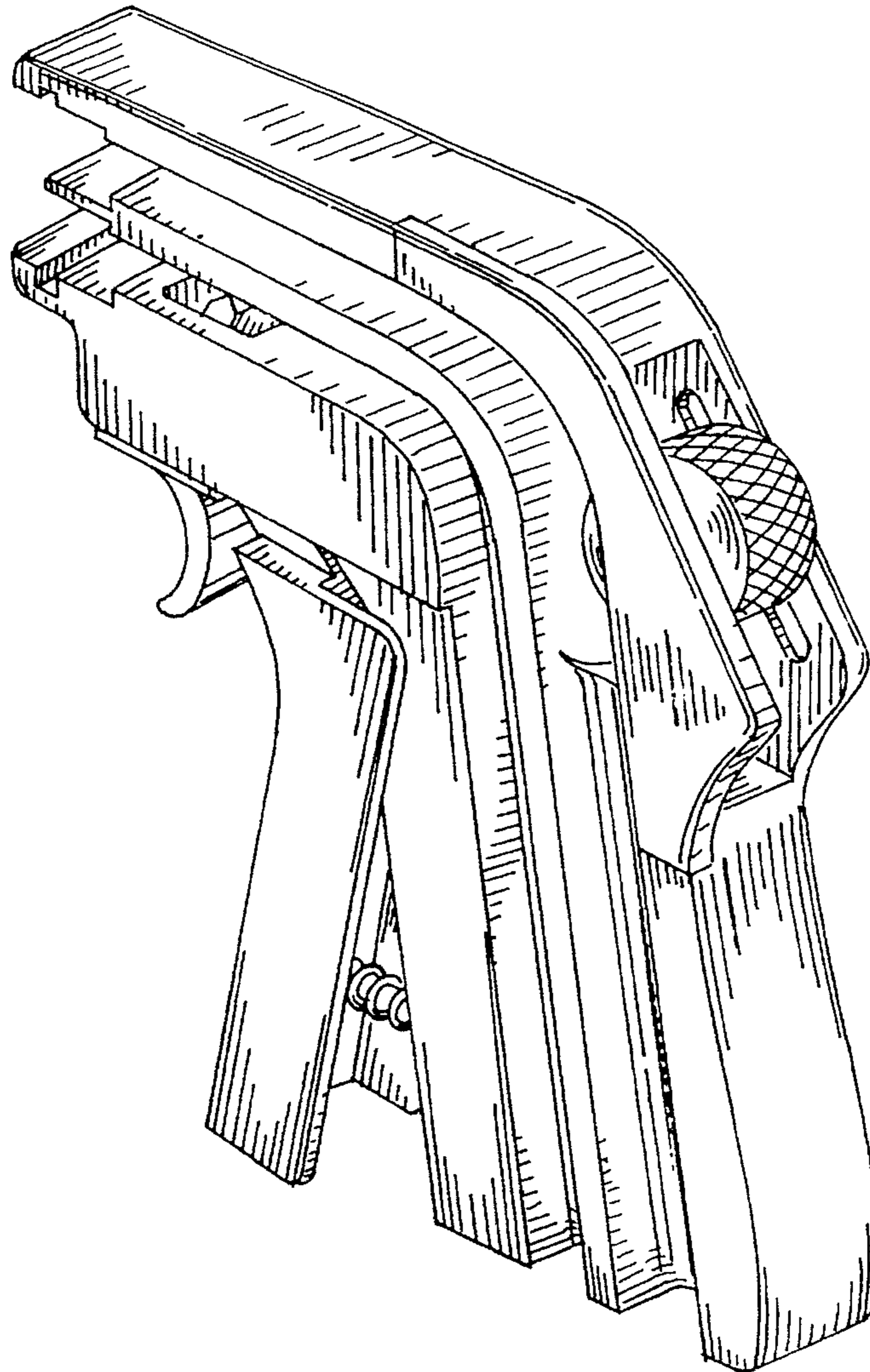
[58] **Field of Search** D24/112, 108,
D24/143, 146, 133, 147; 128/752, 750;
604/35, 34, 66, 67, 902, 247, 275, 33, 250

[56] **References Cited**

U.S. PATENT DOCUMENTS

D. 350,194 8/1994 Marino et al. D24/108 X

1 Claim, 3 Drawing Sheets



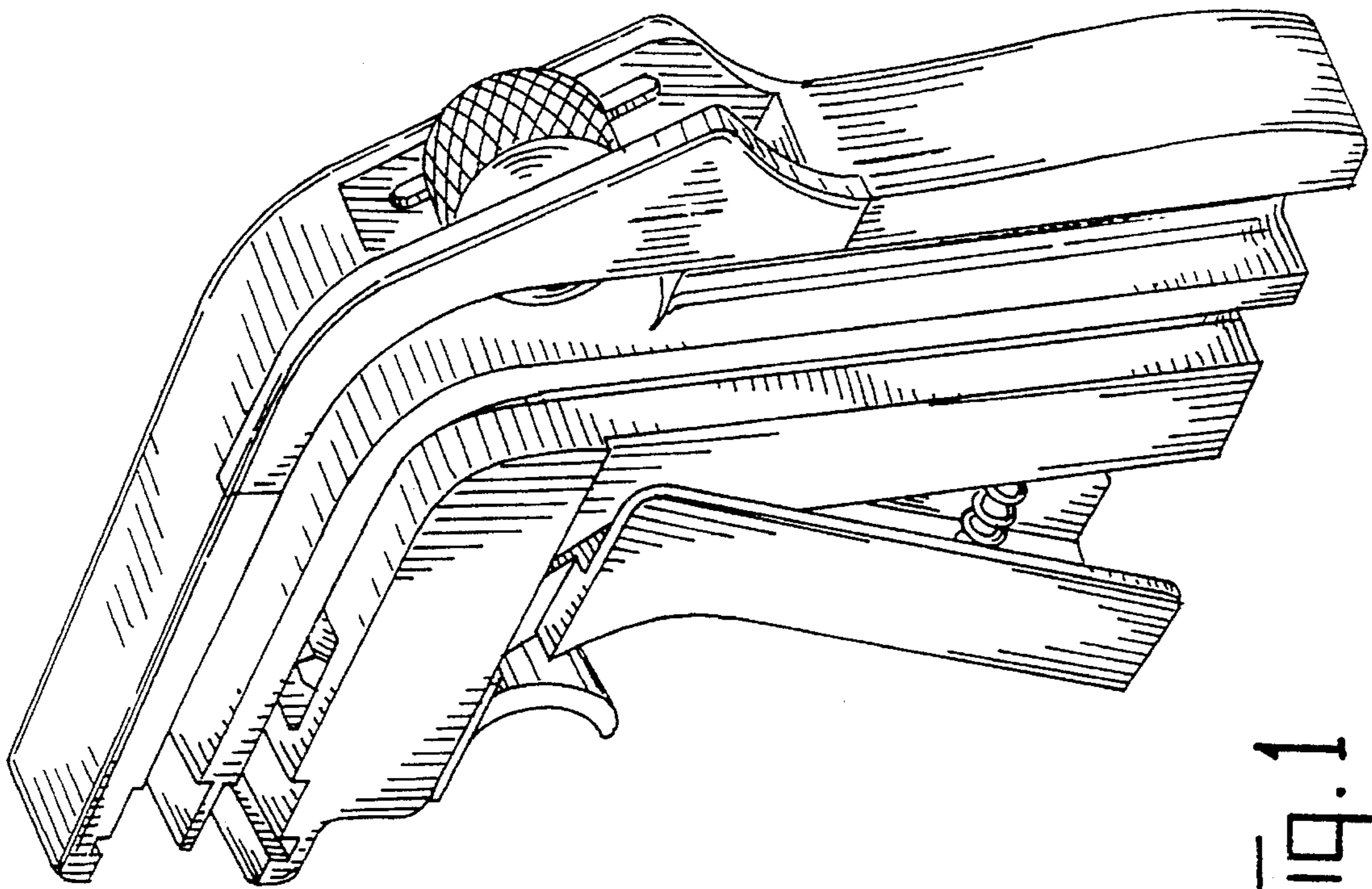


FIG. 1

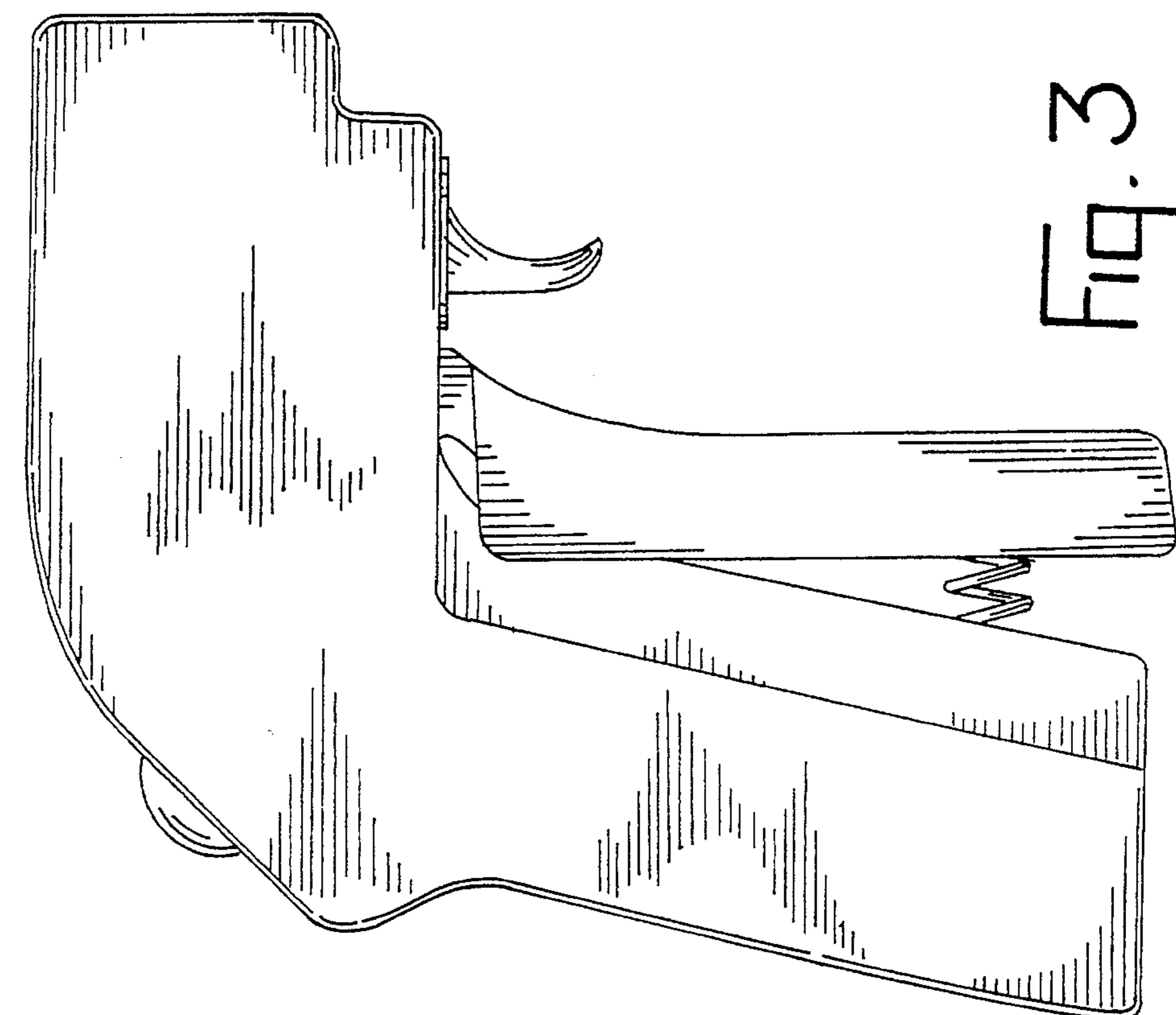


FIG. 3

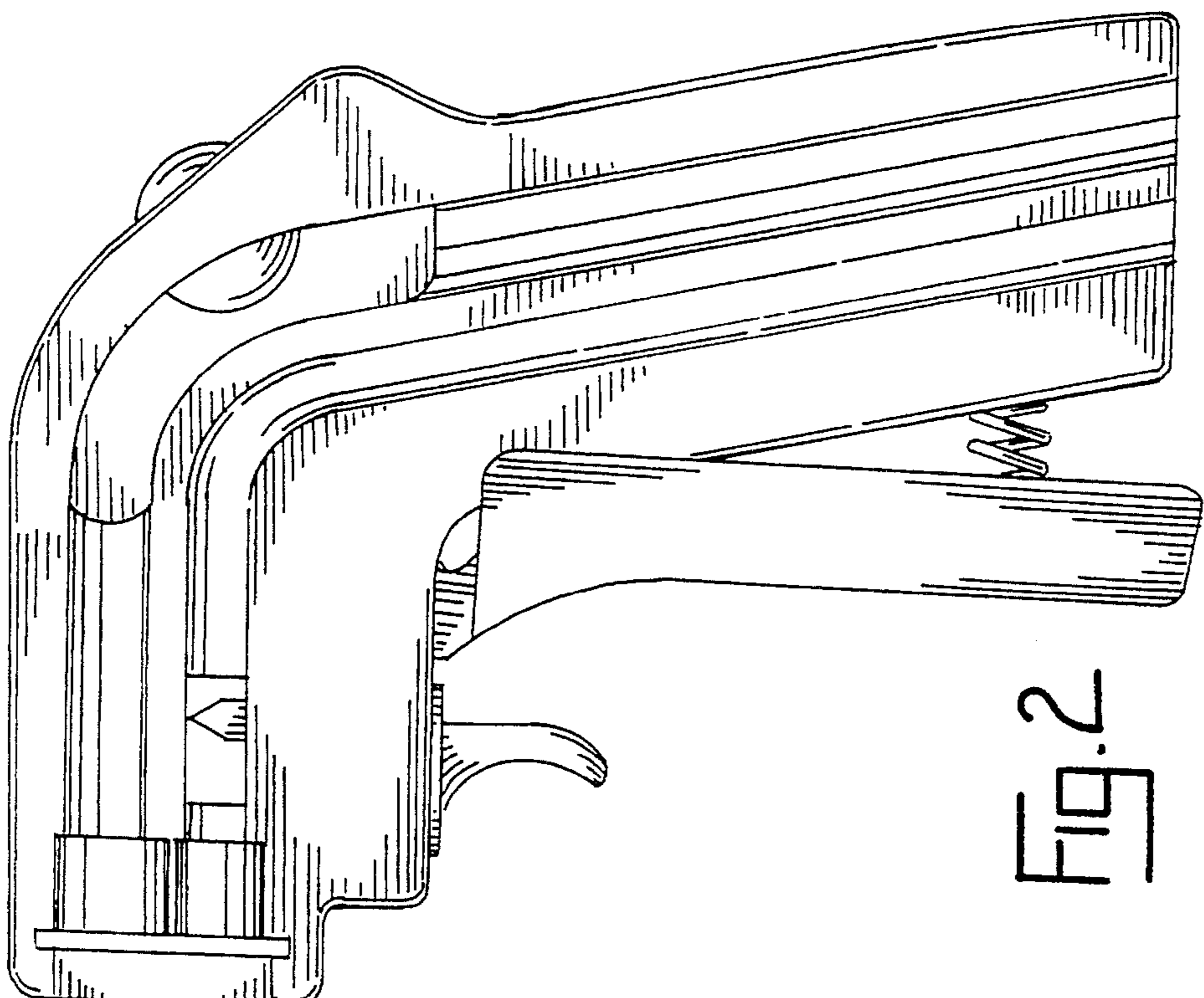


FIG. 2

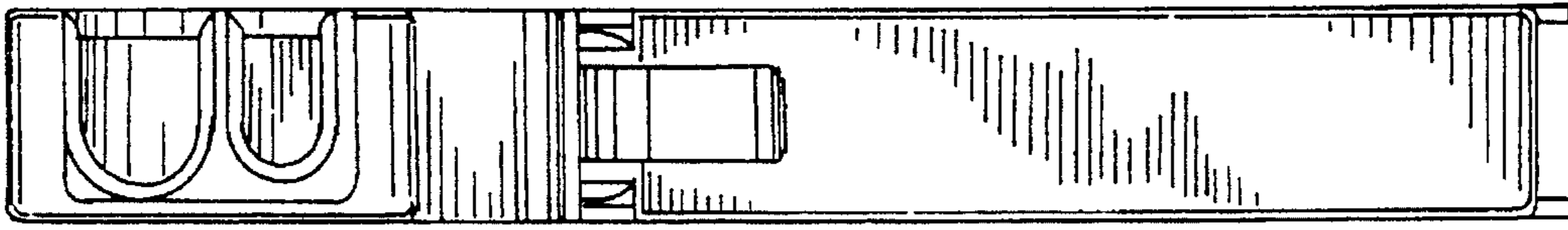


FIG. 7

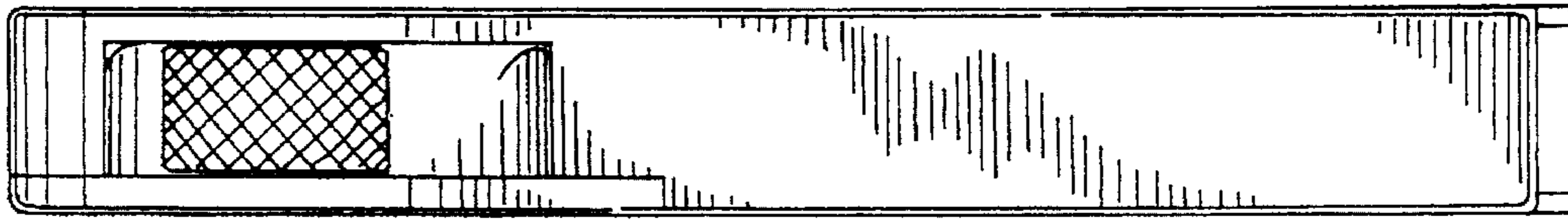


FIG. 6

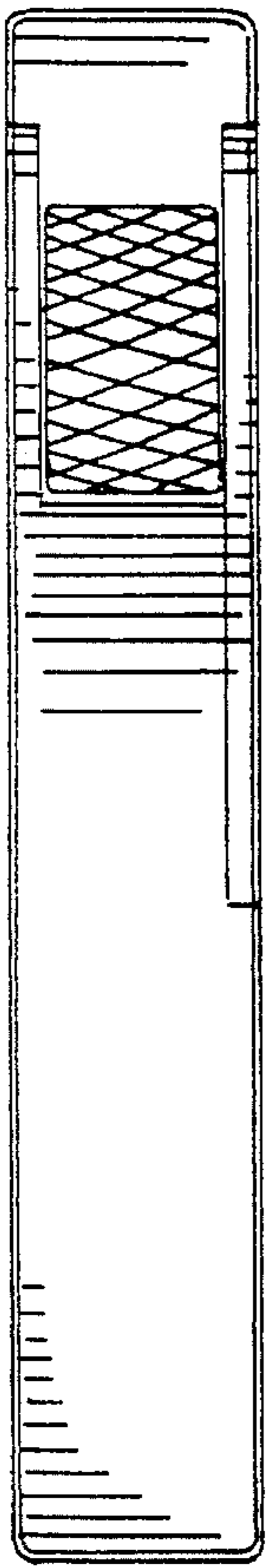


FIG. 4

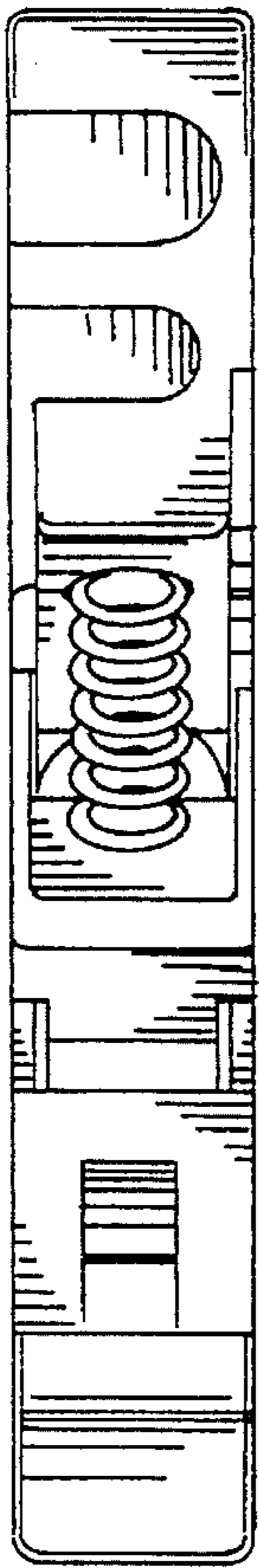


FIG. 5