



US00D368771S

United States Patent [19]

[11] Patent Number: **Des. 368,771**

Patel et al.

[45] Date of Patent: ****Apr. 9, 1996**

[54] **TABLE TOP AIR FRESHENER**

[75] Inventors: **Manhar K. Patel**, Saddle Brook;
Matthew S. Okin, Creskill, both of
N.J.

[73] Assignee: **Reckitt & Colman Inc.**, Wayne, N.J.

[**] Term: **14 Years**

D. 258,202 2/1981 Astor et al. D9/552
 D. 281,010 10/1985 Joyaux D23/150
 D. 283,638 4/1986 de Bascher D23/150
 D. 305,303 1/1990 Saunders D9/503
 D. 307,938 5/1990 Fish D23/367
 2,383,960 9/1945 Dupuy 239/59
 4,526,320 7/1985 von Philipp 239/43
 4,621,768 11/1986 Lhoste 239/44

[21] Appl. No.: **36,482**

[22] Filed: **Mar. 21, 1995**

[52] U.S. Cl. **D23/367**; D9/503; D9/520;
D9/552; D23/366; D23/369

[58] **Field of Search** D23/366-369;
392/390, 392; D9/503, 552, 520, 565; 422/120,
123, 305; 239/58, 59, 55, 60, 57, 211; 261/DIG. 65

Primary Examiner—Lisa P. Lichtenstein
Attorney, Agent, or Firm—Frederick H. Rabin

[57] CLAIM

The ornamental design for a table top air freshener, as shown and described.

DESCRIPTION

FIG. 1 is a top and side perspective view of the table top air freshener showing our new design;
 FIG. 2 is a front elevational view thereof;
 FIG. 3 is a top plan view thereof;
 FIG. 4 is a side elevational view thereof, the opposite side being substantially identical except for the helical pattern which would be reversed;
 FIG. 5 is a rear elevational view thereof; and,
 FIG. 6 bottom plan view thereof.

[56] References Cited

U.S. PATENT DOCUMENTS

D. 100,342 7/1936 Steuernagle D9/552
 D. 214,159 5/1969 Hart et al. D9/503
 D. 246,318 11/1977 Layton D23/150
 D. 251,984 5/1979 Gombert D23/150
 D. 252,102 6/1979 Mandon D23/150
 D. 254,930 5/1980 Mandon et al. D23/369

1 Claim, 2 Drawing Sheets

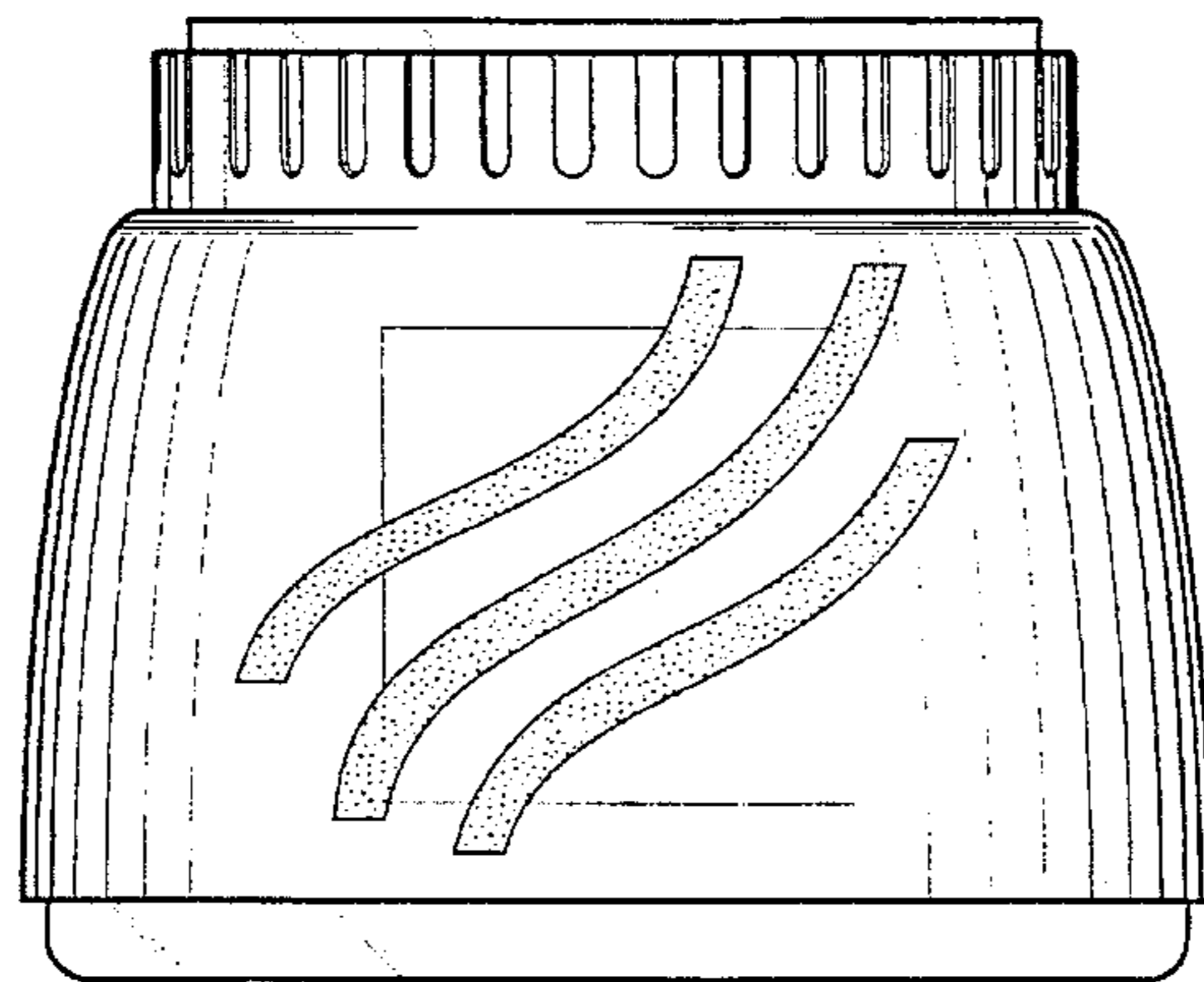
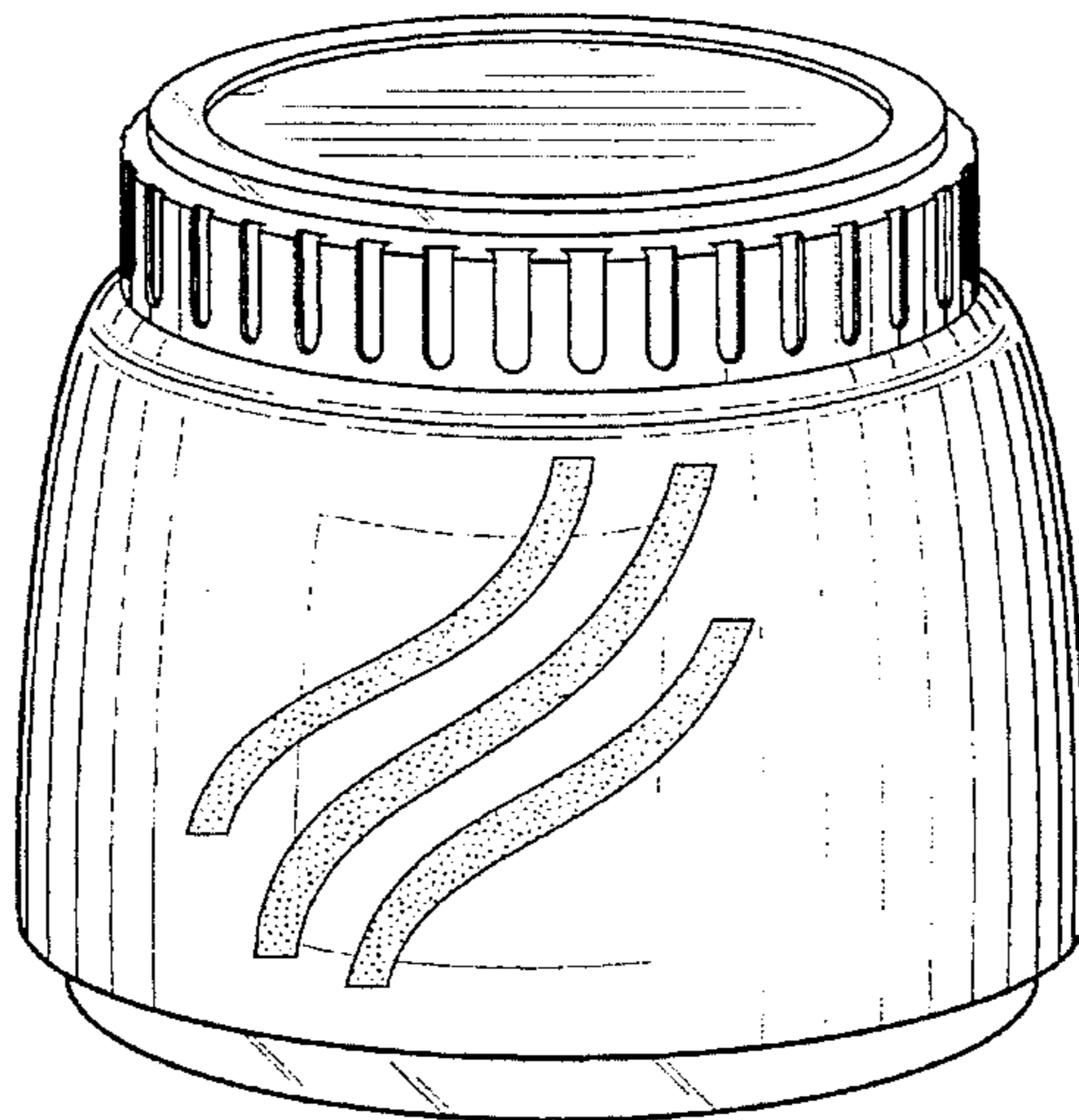


fig. 1

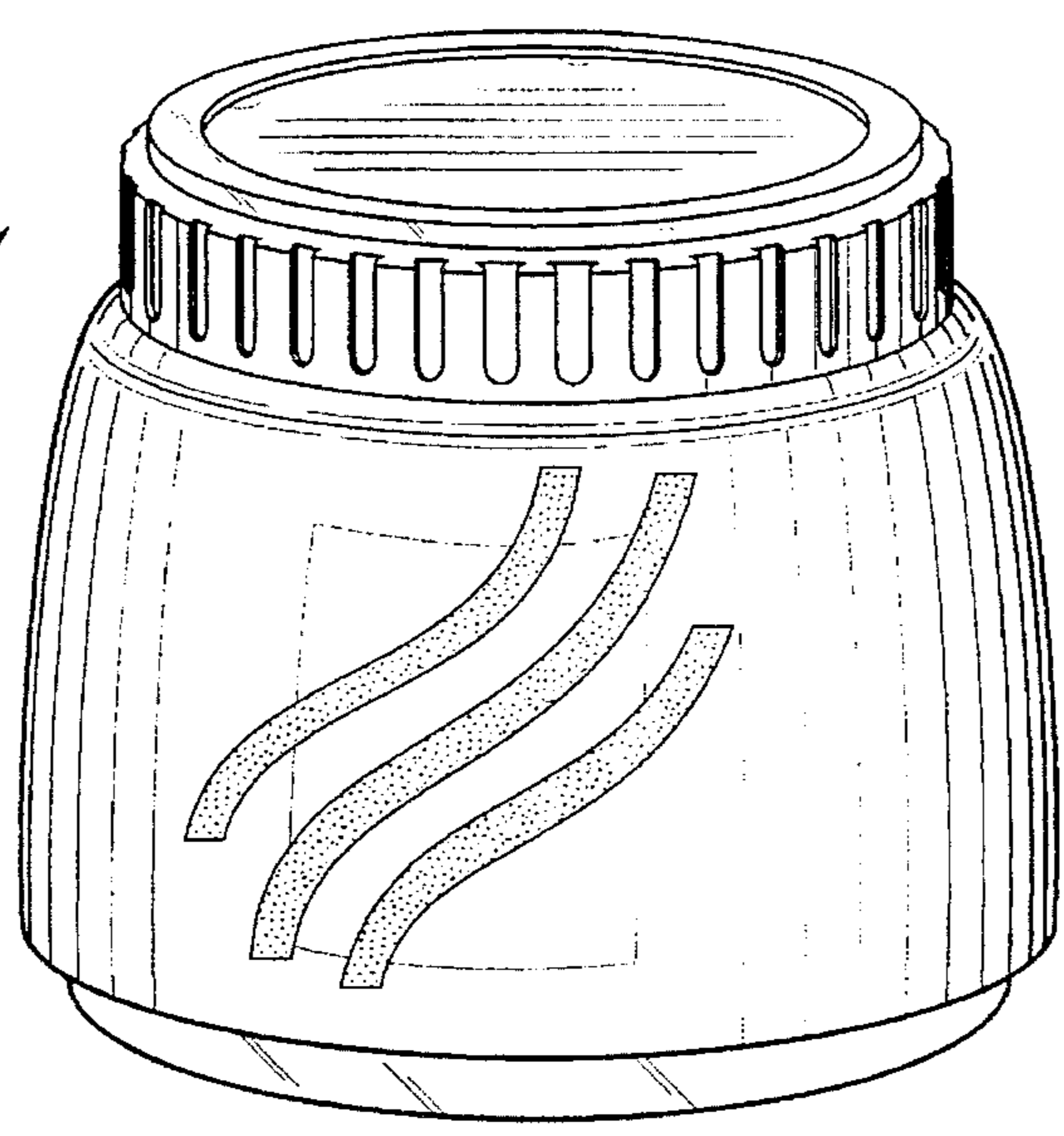


fig. 2

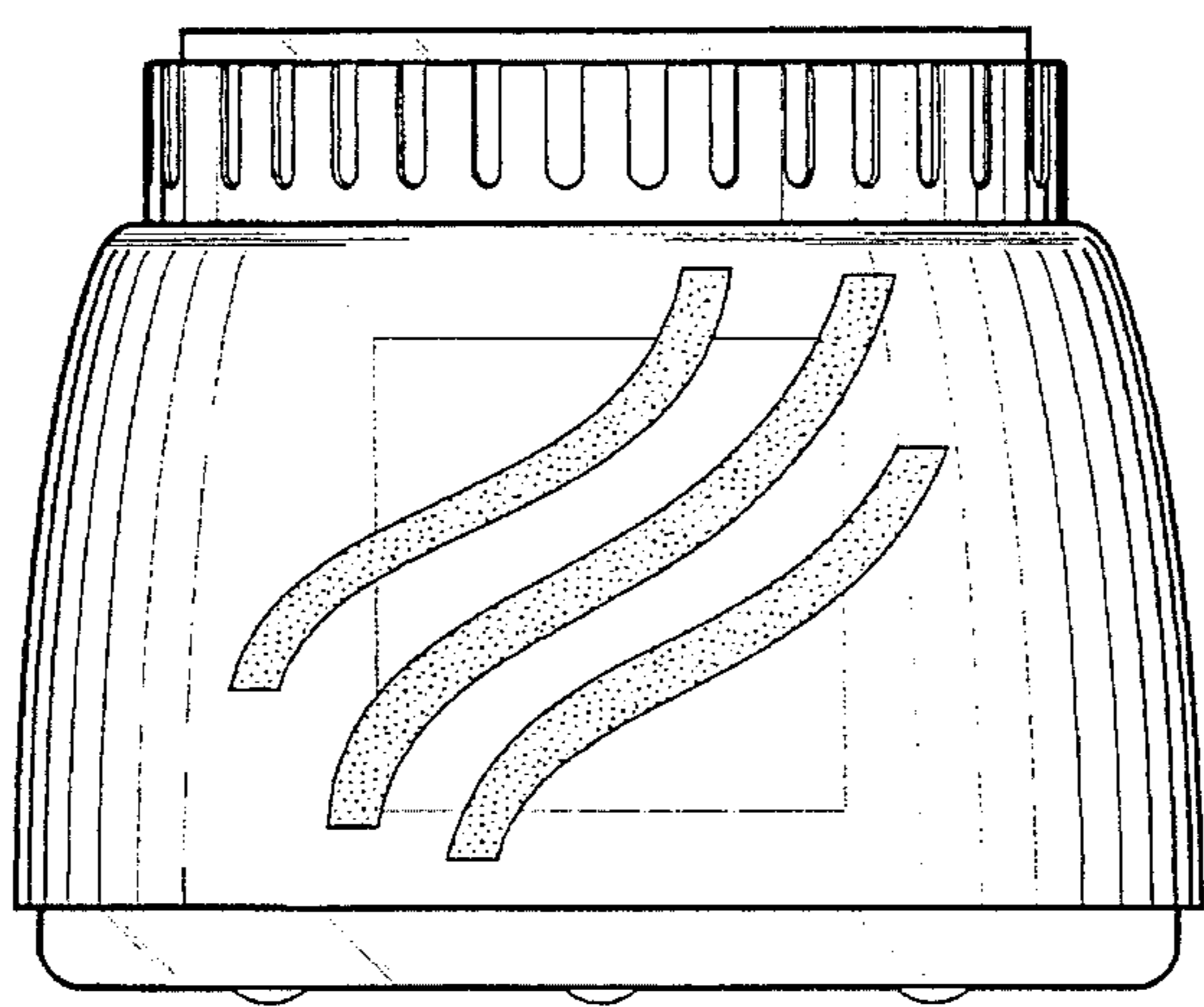


fig. 3

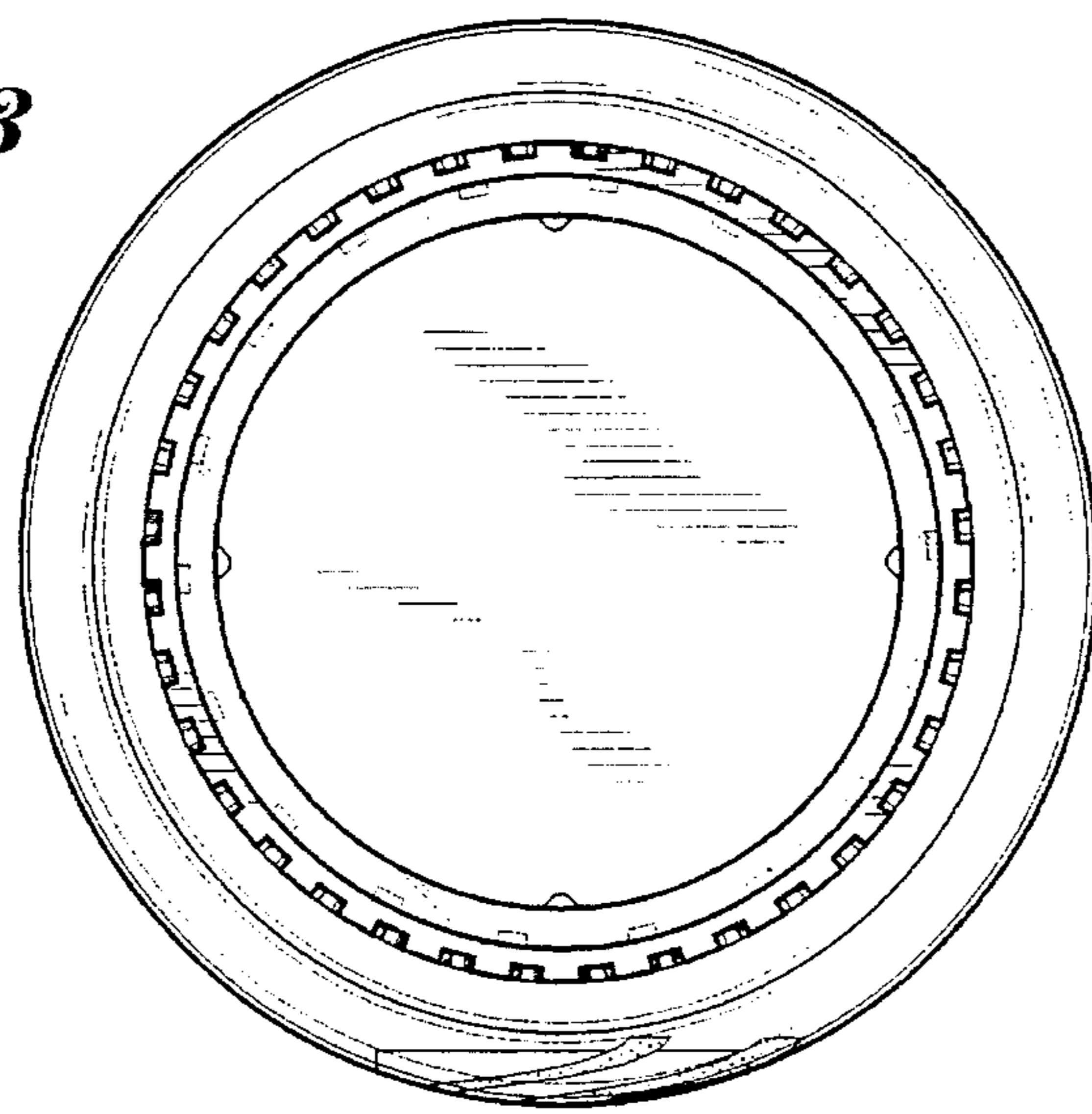


fig. 4

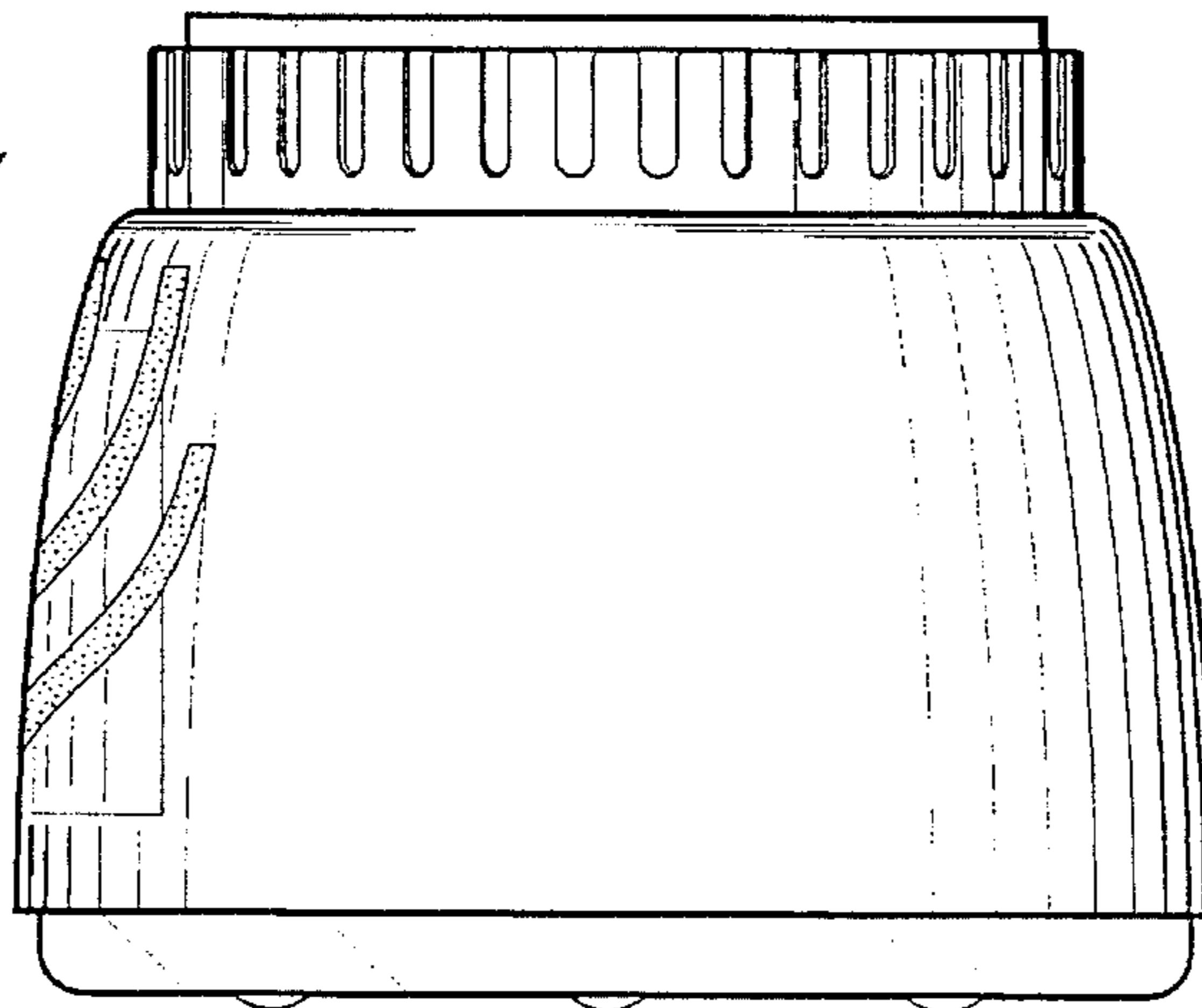


fig. 5

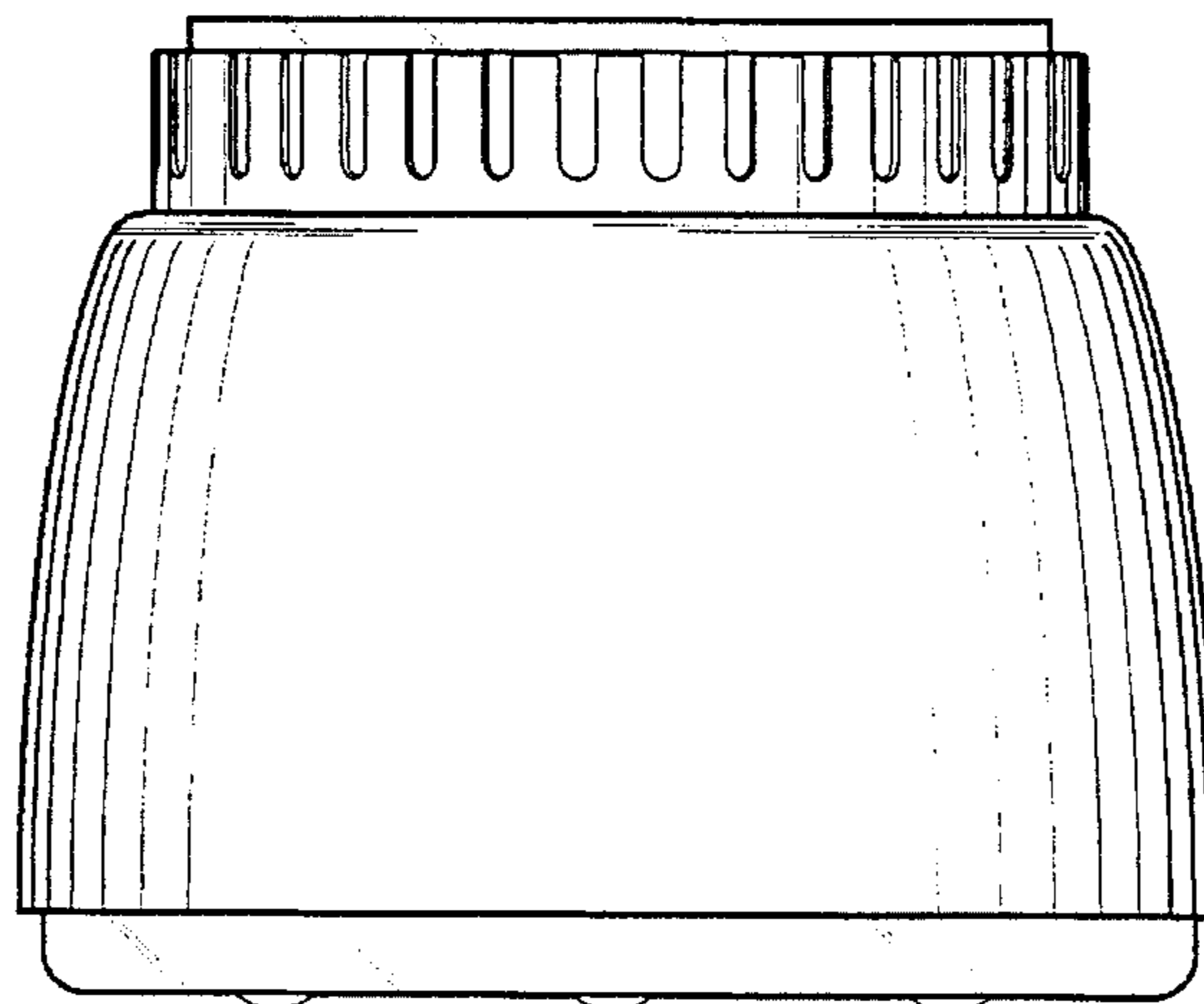


fig. 6

