



US00D368767S

**United States Patent** [19]  
**Gottwald**

[11] **Patent Number:** **Des. 368,767**  
[45] **Date of Patent:** **\*\*Apr. 9, 1996**

[54] **FAUCET HANDLE**

[75] Inventor: **Adolf Gottwald**, Iserlohn, Germany

[73] Assignee: **Friedrich Grohe Aktiengesellschaft**, Hemer, Germany

[\*\*] Term: **14 Years**

[21] Appl. No.: **37,714**

[22] Filed: **Apr. 17, 1995**

[30] **Foreign Application Priority Data**

Oct. 31, 1994 [DE] Germany ..... M9408465.3

[52] **U.S. Cl.** ..... **D23/252**

[58] **Field of Search** ..... D23/238-243,  
D23/250-254; D8/300, 302, 307, 308, 310;  
4/191, 192; 16/110, 118, 119, 121, 125

[56] **References Cited**

**U.S. PATENT DOCUMENTS**

D. 221,431 8/1971 Petterson ..... D23/252

D. 316,747 5/1991 Fleischmann ..... D23/252  
D. 325,622 4/1992 Bengtson ..... D23/252  
D. 339,852 9/1993 Sans ..... D23/252

*Primary Examiner*—Stella Reid  
*Assistant Examiner*—E. Watterson

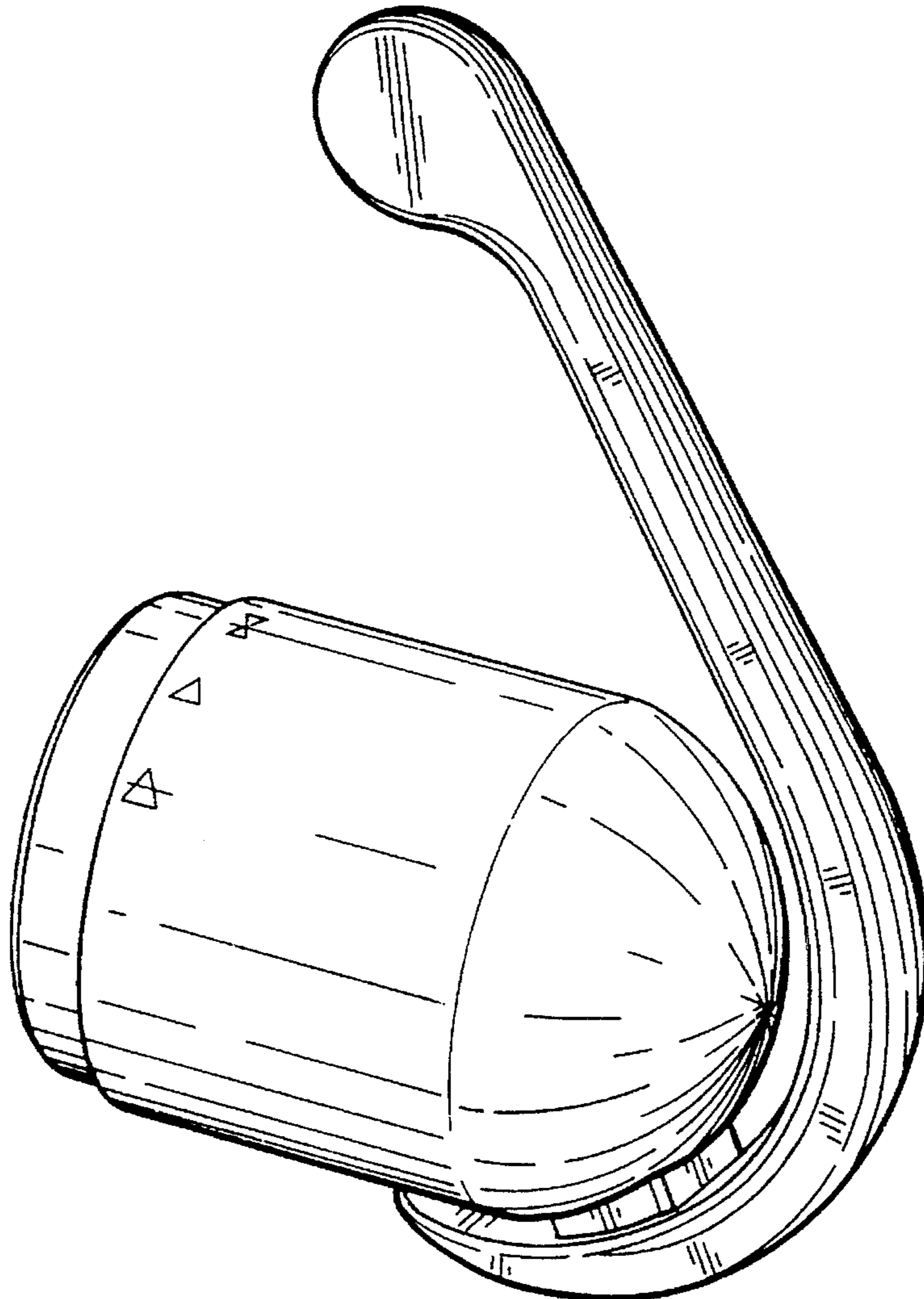
[57] **CLAIM**

The ornamental design for a faucet handle, as shown and described.

**DESCRIPTION**

FIG. 1 is a top, front, right-side perspective view of a faucet handle showing my new design;  
FIG. 2 is a front view thereof, the rear view being mirror symmetrical thereto;  
FIG. 3 is a bottom view thereof;  
FIG. 4 is a top view thereof;  
FIG. 5 is a right side elevational view thereof; and,  
FIG. 6 is a left side elevational view thereof.

**1 Claim, 3 Drawing Sheets**



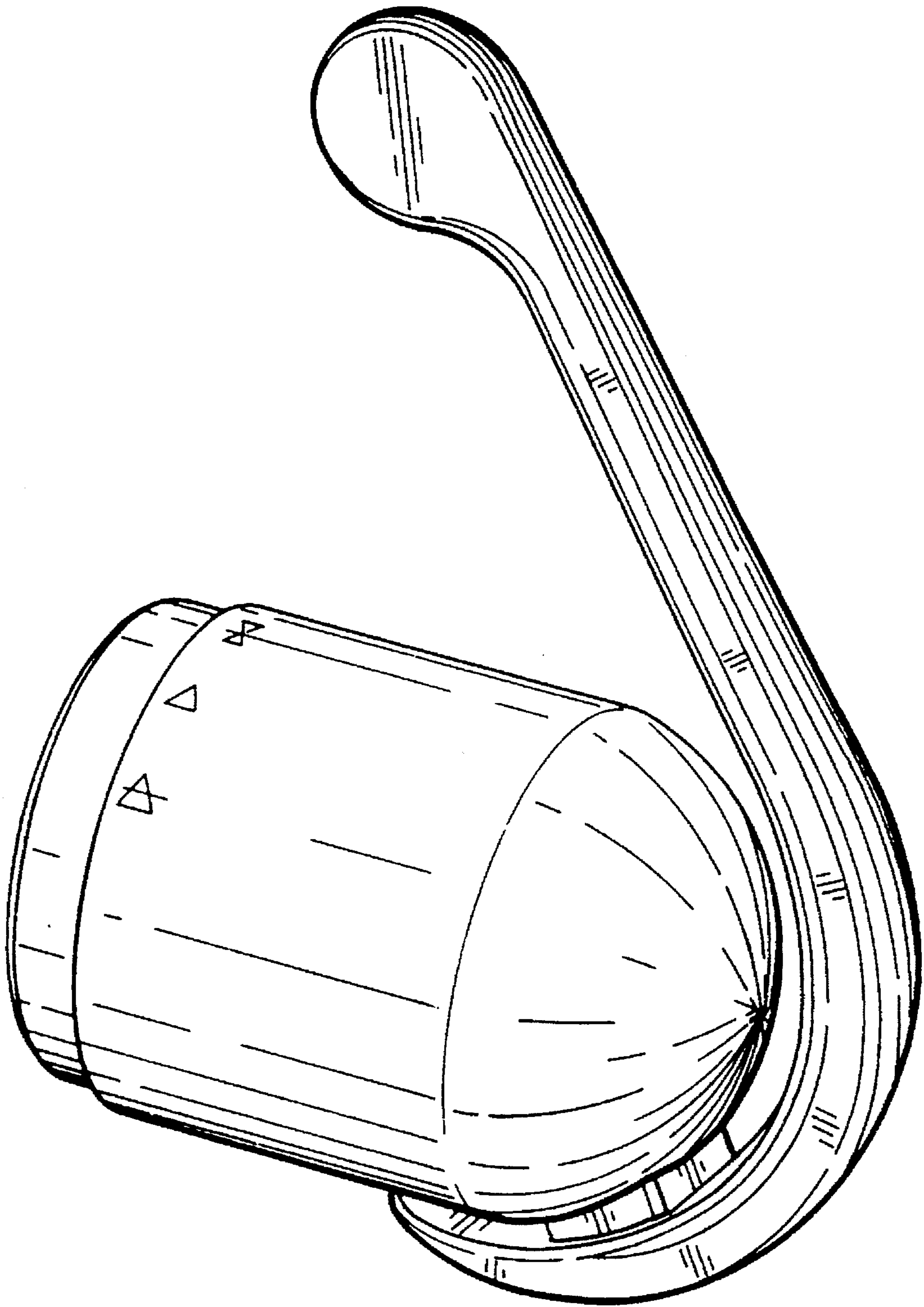


FIG. 1

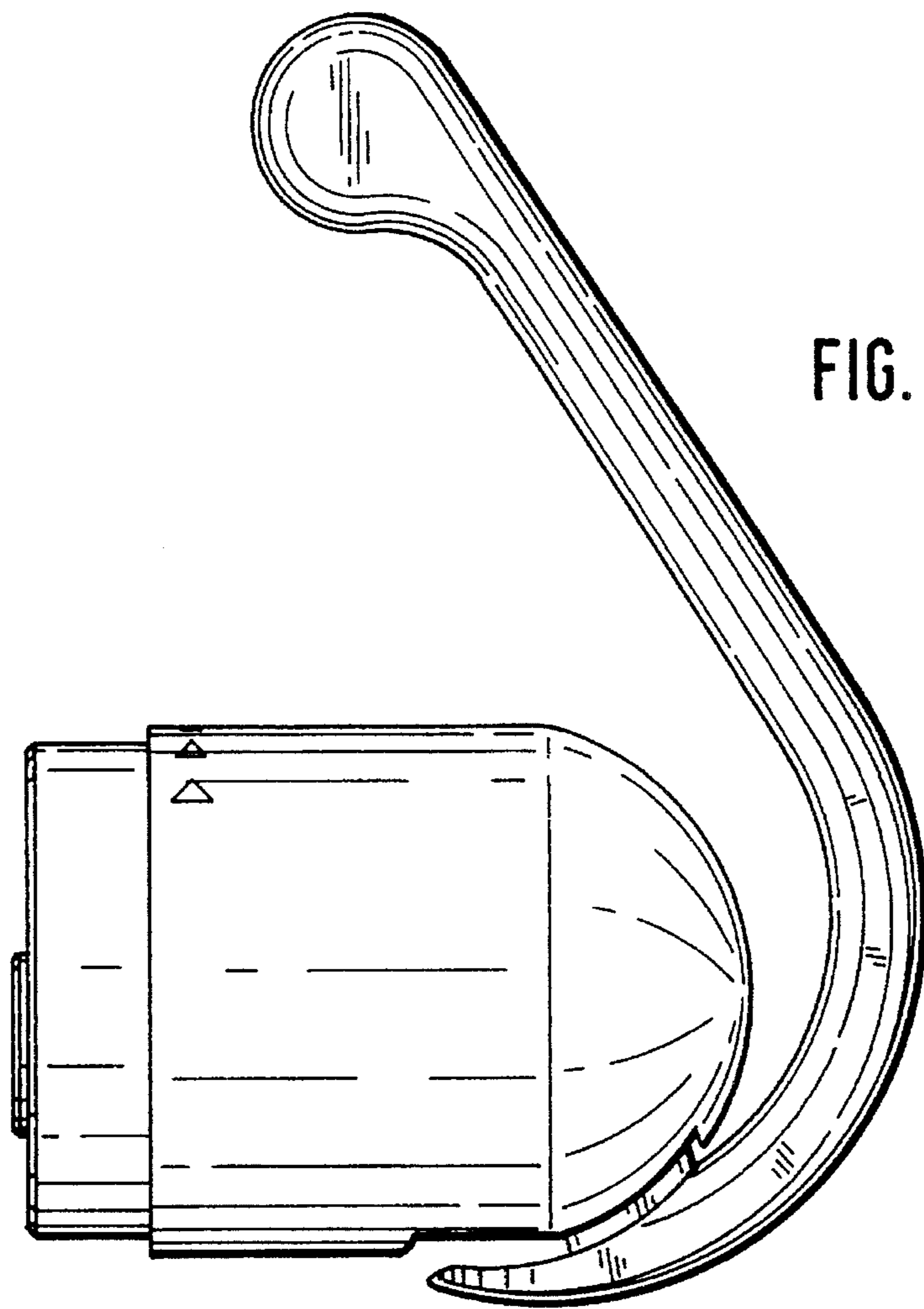


FIG. 2

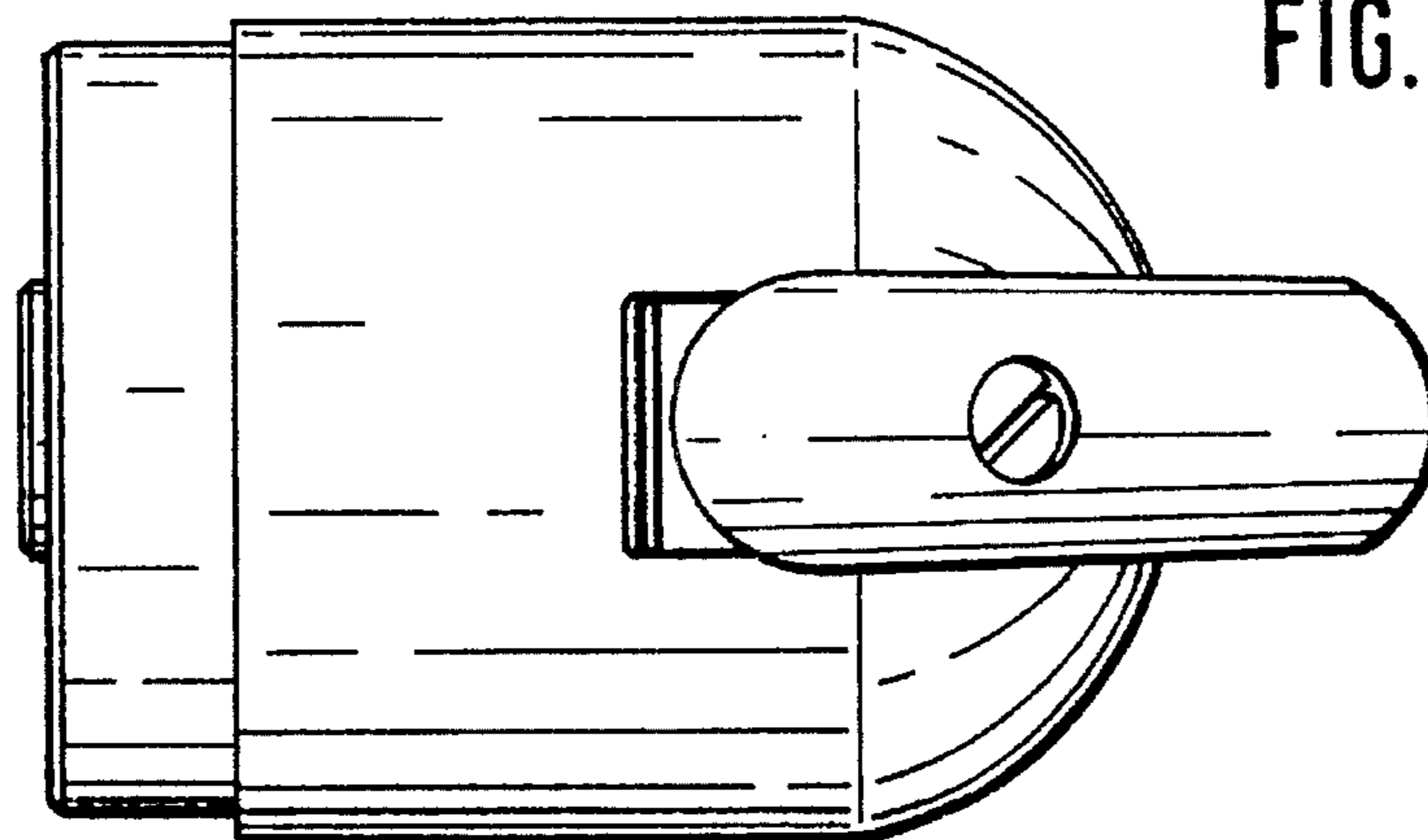


FIG. 3

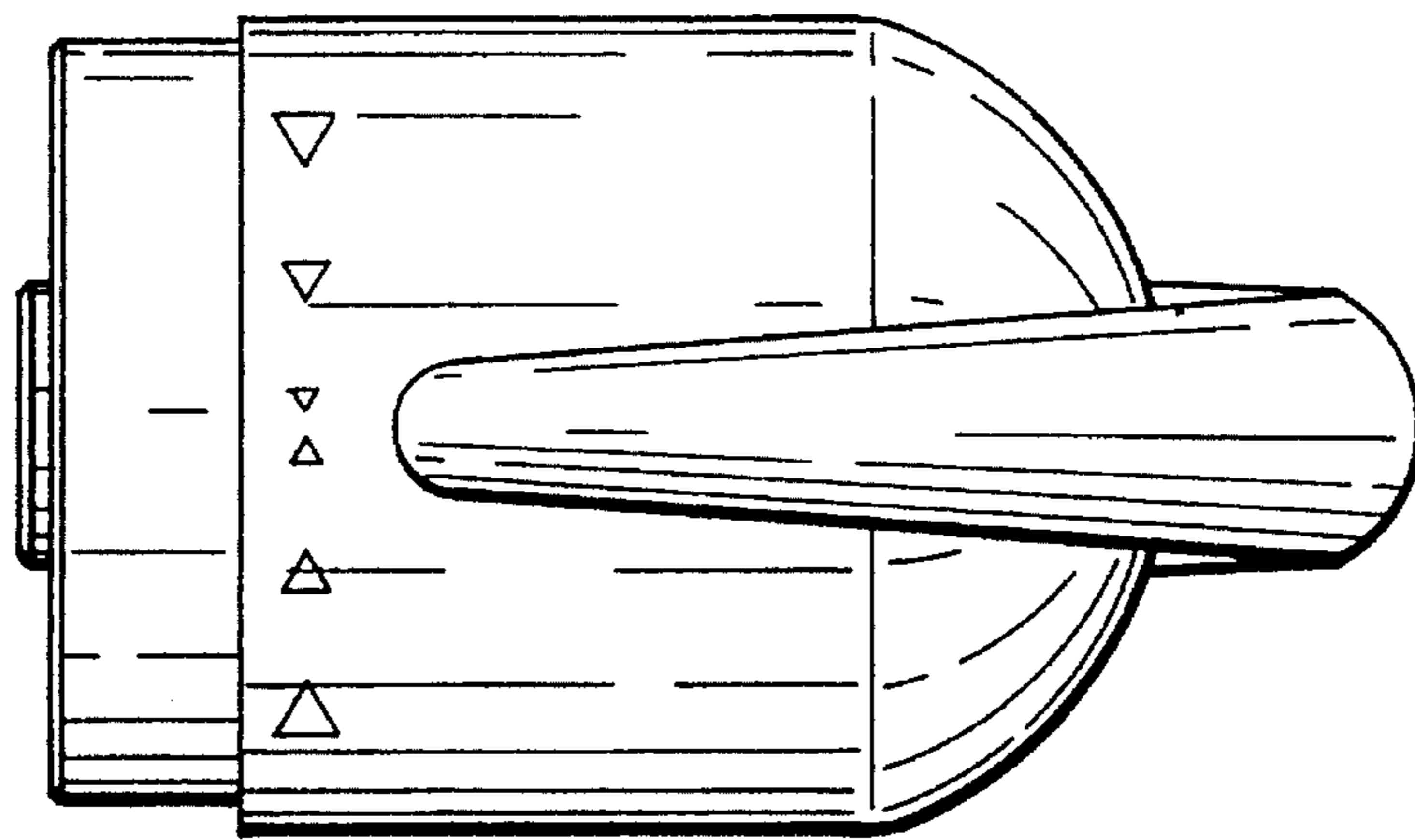


FIG. 4

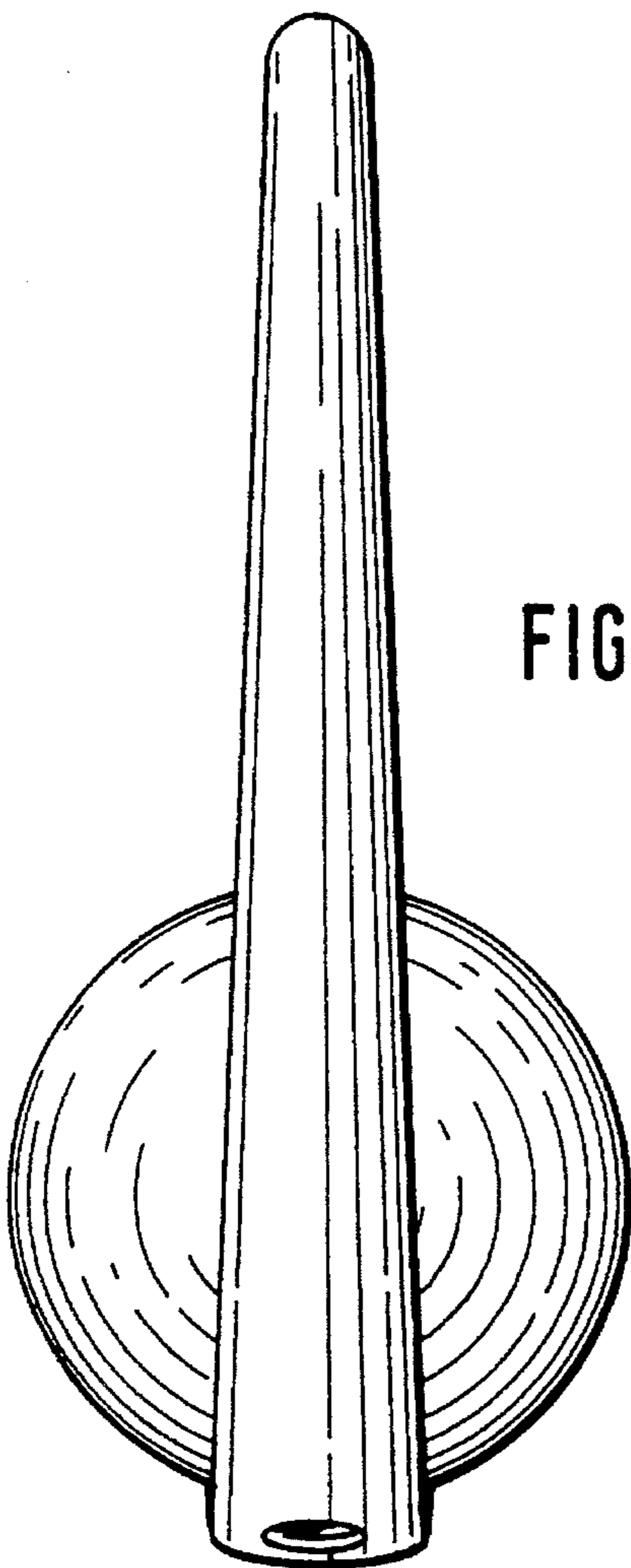


FIG. 5

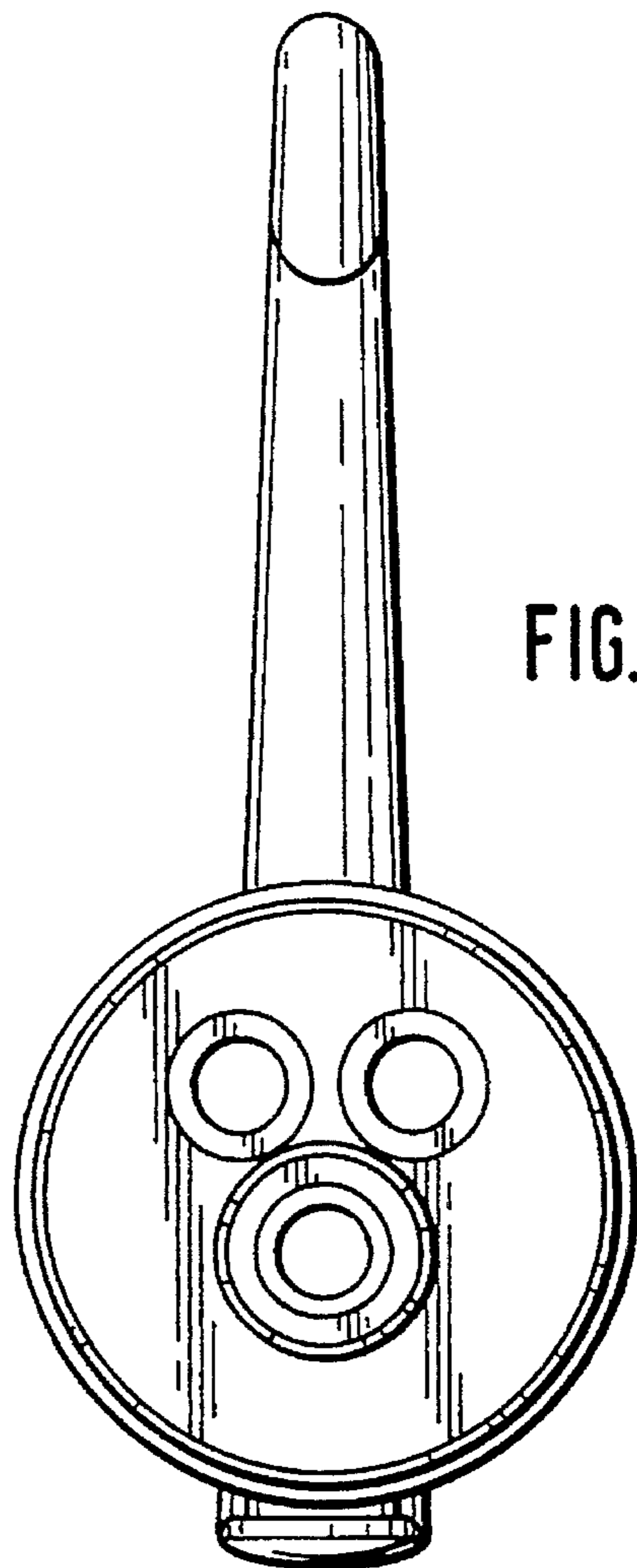


FIG. 6