



US00D368765S

United States Patent [19]
Gottwald

[11] **Patent Number:** **Des. 368,765**
[45] **Date of Patent:** ****Apr. 9, 1996**

[54] **FAUCET HANDLE**

[75] Inventor: **Adolf Gottwald**, Iserlohn, Germany

[73] Assignee: **Friedrich Grohe Aktiengesellschaft**,
Hemer, Germany

[**] Term: **14 Years**

[21] Appl. No.: **37,120**

[22] Filed: **Apr. 4, 1995**

[30] **Foreign Application Priority Data**

Oct. 31, 1994 [DE] Germany M9408505.6

[52] **U.S. Cl.** **D23/252**

[58] **Field of Search** D23/238-243,
D23/250-254; D8/300, 302, 307, 308, 310;
4/191, 192; 16/110, 118, 119, 121, 125

[56] **References Cited**

U.S. PATENT DOCUMENTS

D. 187,909 5/1960 Goras D8/308

D. 289,543 4/1987 Davis D23/252
D. 324,724 3/1992 Lang et al. D23/252
D. 349,328 8/1994 Bollenbacher D23/252

Primary Examiner—Stella Reid
Assistant Examiner—Eric Watterson
Attorney, Agent, or Firm—Herbert Dubno

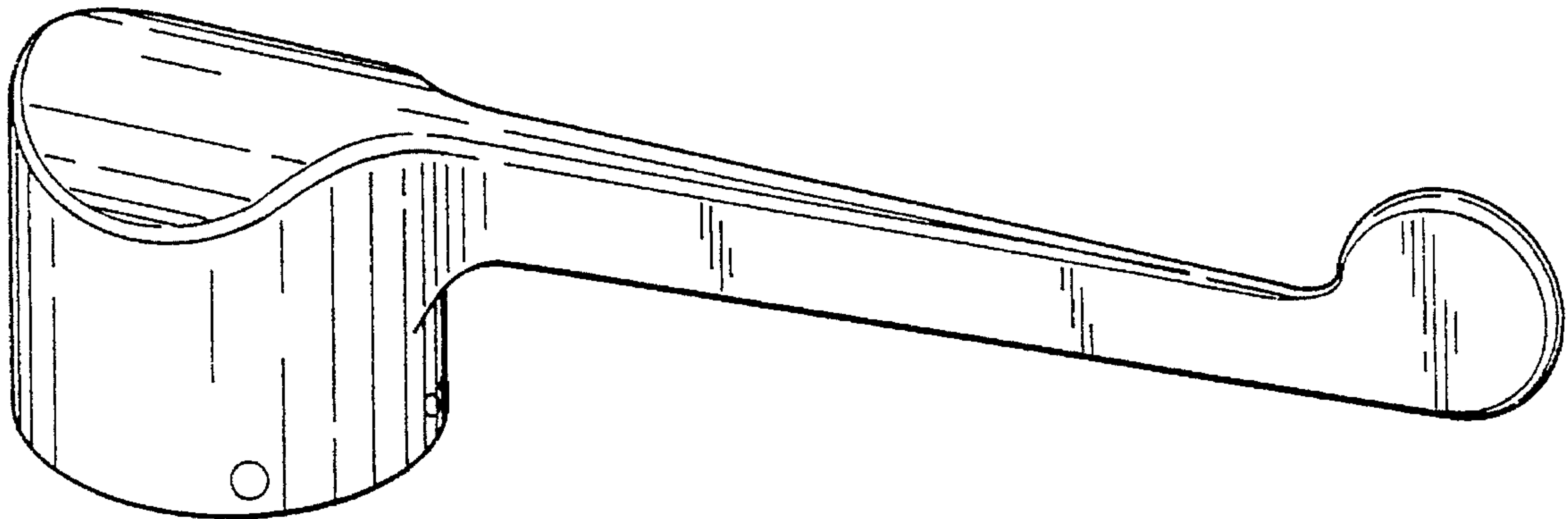
[57] **CLAIM**

The ornamental design for a faucet handle, as shown and described.

DESCRIPTION

FIG. 1 is a top, front, left-side perspective view of a faucet handle showing my new design;
FIG. 2 is a front view thereof;
FIG. 3 is a rear view thereof;
FIG. 4 is a top view thereof;
FIG. 5 is a left side elevational view thereof, the right side view being mirror symmetrical thereto; and,
FIG. 6 is a bottom view thereof.

1 Claim, 2 Drawing Sheets



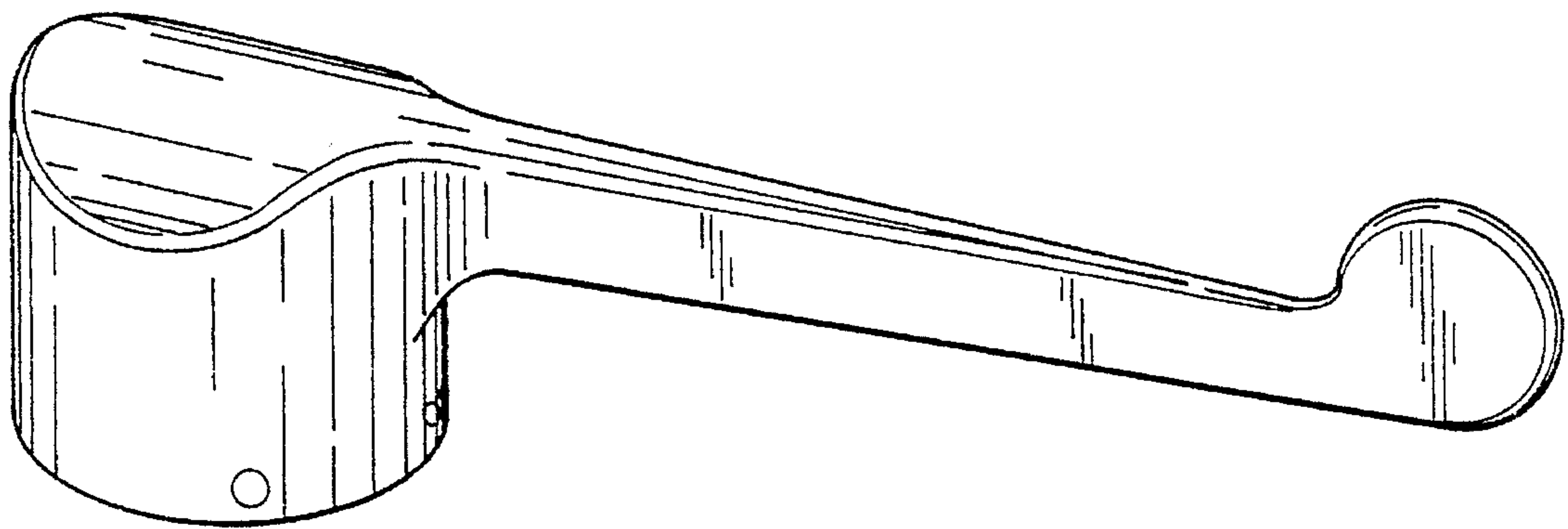


FIG. 1

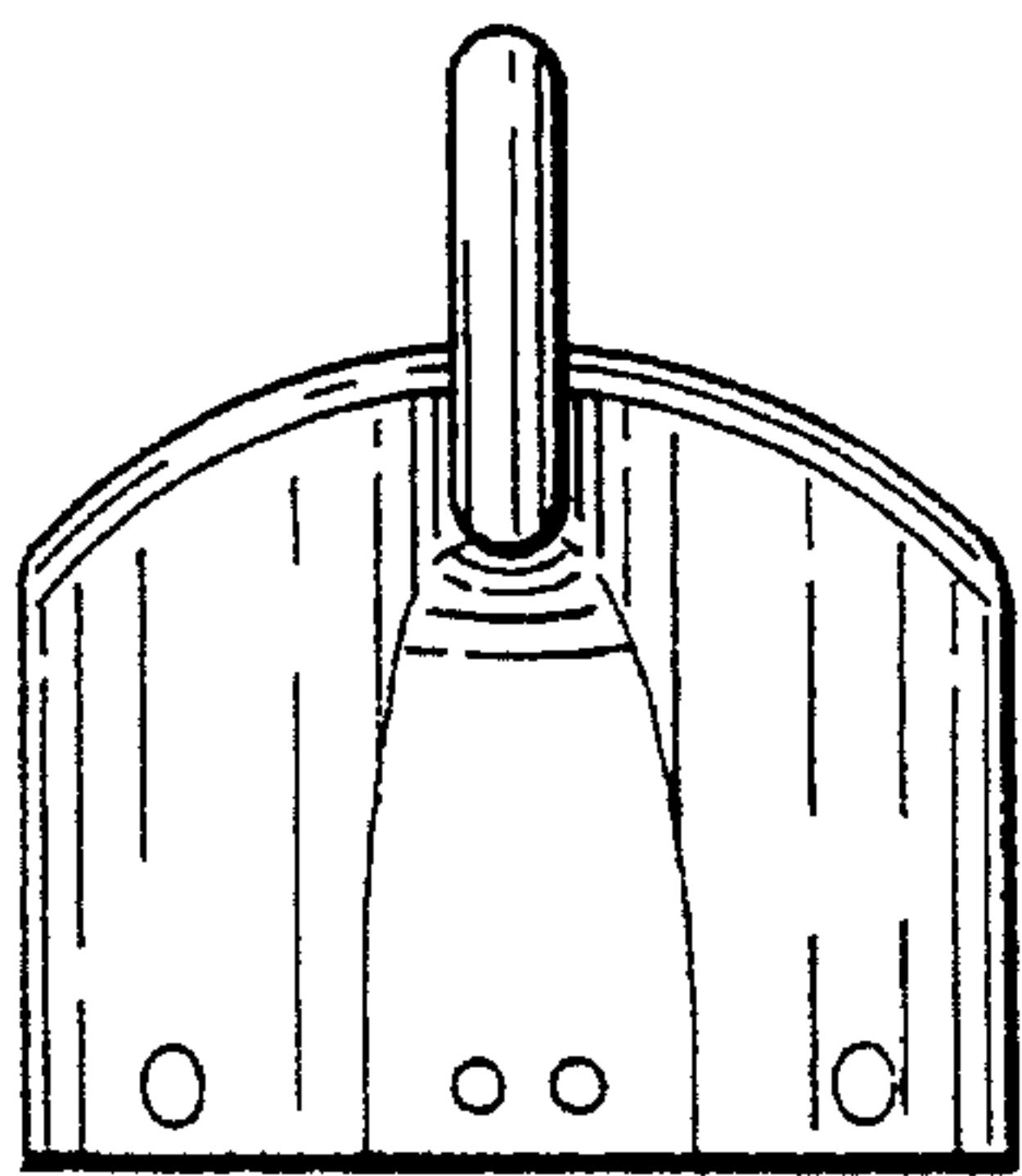


FIG. 2

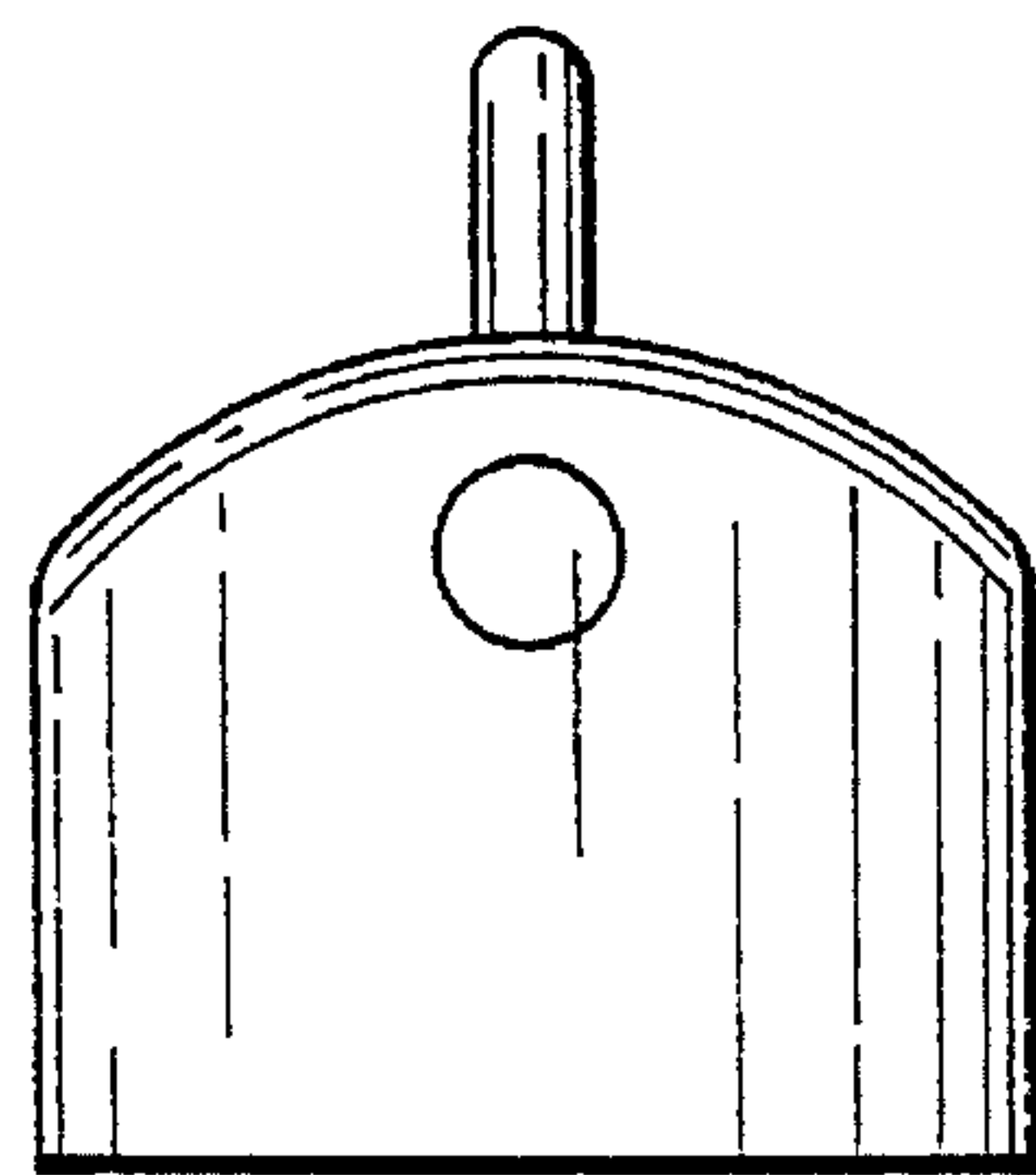


FIG. 3

FIG. 4

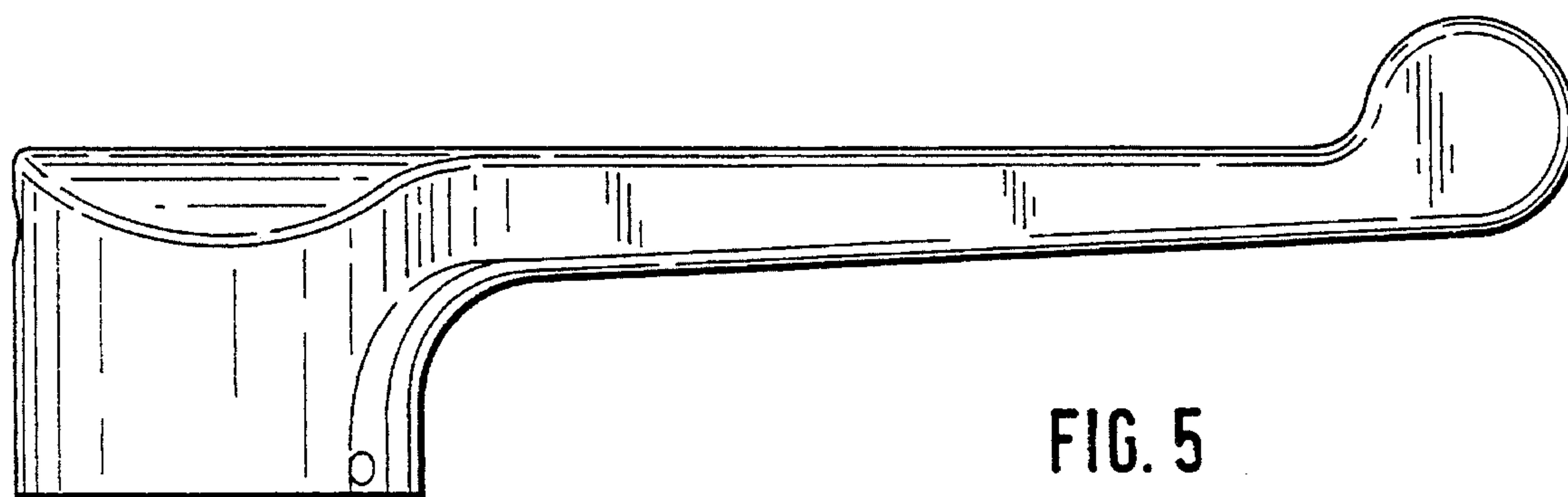
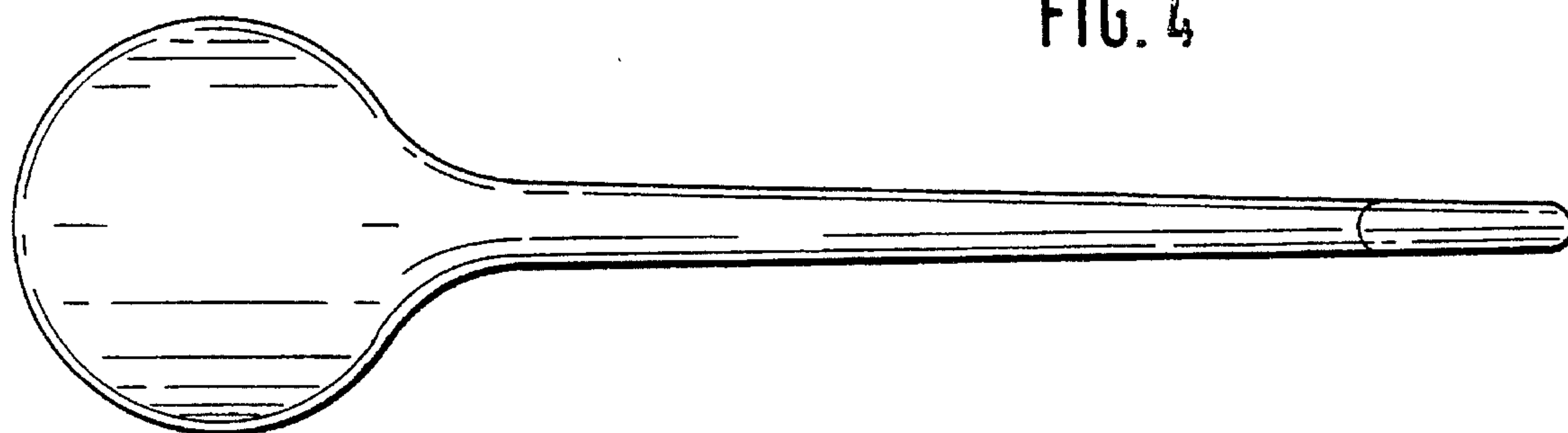


FIG. 5

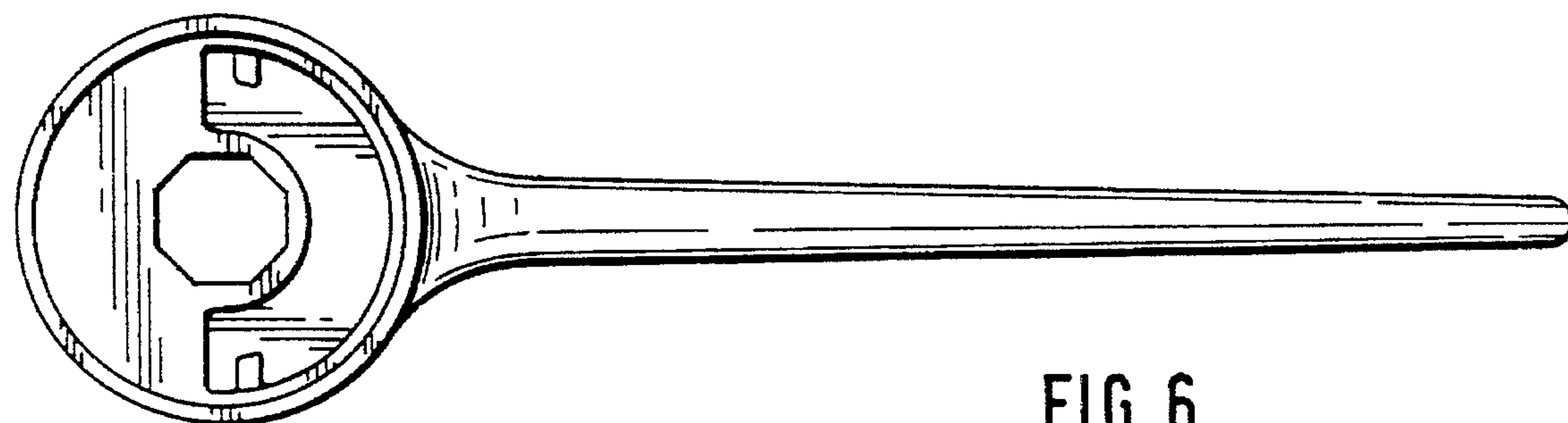


FIG. 6