



US00D368764S

# United States Patent [19]

Hill et al.

[11] Patent Number: **Des. 368,764**

[45] Date of Patent: **\*\*Apr. 9, 1996**

[54] FAUCET

3,035,612	5/1962	Lyon .	
3,556,140	1/1971	Politz .....	4/678 X
5,090,062	2/1992	Hochstrasser .....	4/678

[75] Inventors: **Loran R. Hill**, Indianapolis; **Anthony G. Spangler**, Sheridan, both of Ind.

### OTHER PUBLICATIONS

[73] Assignee: **Masco Corporation of Indiana**, Taylor, Mich.

Delta Full-Line Catalog, The Way Water Is Brought To Life (1991).

[\*\*] Term: **14 Years**

Delta Full-Line Catalog, The Way Water Is Brought To Life (1992).

[21] Appl. No.: **32,044**

Epic, Products For A Luxurious Lifestyle (1989).

[22] Filed: **Dec. 13, 1994**

Delta Full-Line Catalog p. 6 1991.

### Related U.S. Application Data

*Primary Examiner*—Stella Reid

*Assistant Examiner*—Eric Watterson

*Attorney, Agent, or Firm*—Myron B. Kapustij; Malcolm L. Sutherland

[63] Continuation of Ser. No. 13,929, Oct. 6, 1993, abandoned.

[52] U.S. Cl. .... **D23/238**

[57] **CLAIM**

[58] Field of Search ..... D23/238-243,  
D23/250-258; 4/675-678; 137/807

The ornamental design for a faucet, as shown and described.

### [56] References Cited

### DESCRIPTION

#### U.S. PATENT DOCUMENTS

- D. 193,885 10/1962 Andrews .
- D. 197,000 11/1963 Landell .
- D. 203,246 12/1965 Harvey et al. .
- D. 213,874 4/1969 Landell .
- D. 219,779 1/1971 Tiller .
- D. 267,582 1/1983 Mackay et al. .
- D. 290,492 6/1987 Hill et al. .
- D. 313,836 1/1991 Knapp ..... D23/238
- D. 324,905 3/1992 Chretien ..... D23/238
- D. 327,729 7/1992 Rogers .
- D. 332,303 1/1993 Klose .
- D. 337,810 7/1993 Bengtson et al. .

FIG. 1 is a top front perspective view of a faucet showing our new design;

FIG. 2 is a top rear perspective view thereof;

FIG. 3 is a top plan view thereof;

FIG. 4 is a front elevational view thereof;

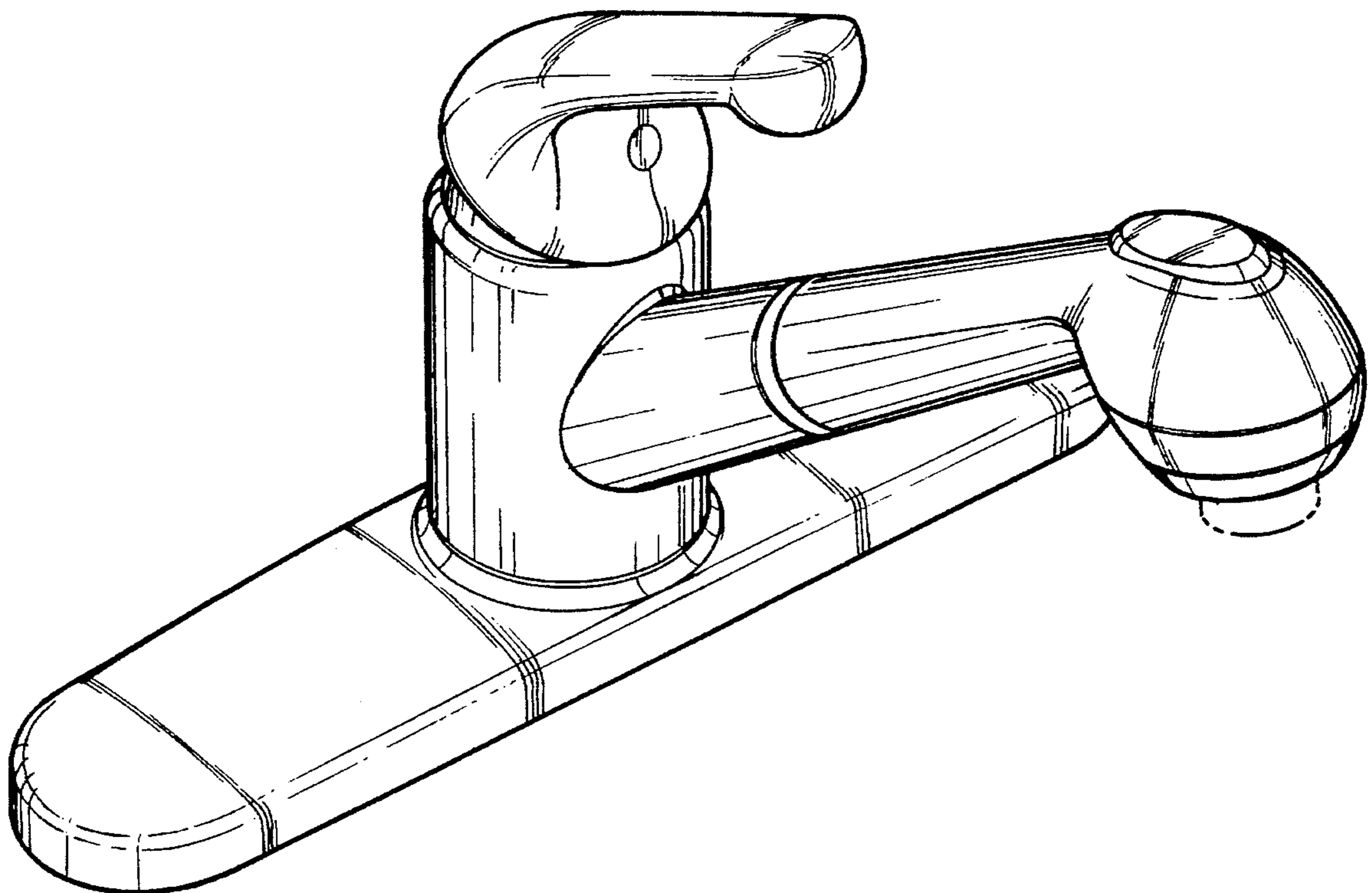
FIG. 5 is a left side elevational view thereof;

FIG. 6 is right side elevational view thereof; and,

FIG. 7 is a rear elevational view thereof.

The broken line showing of an aerator in FIG. 1 is for purpose of illustration only and forms no part of the claimed design.

**1 Claim, 5 Drawing Sheets**



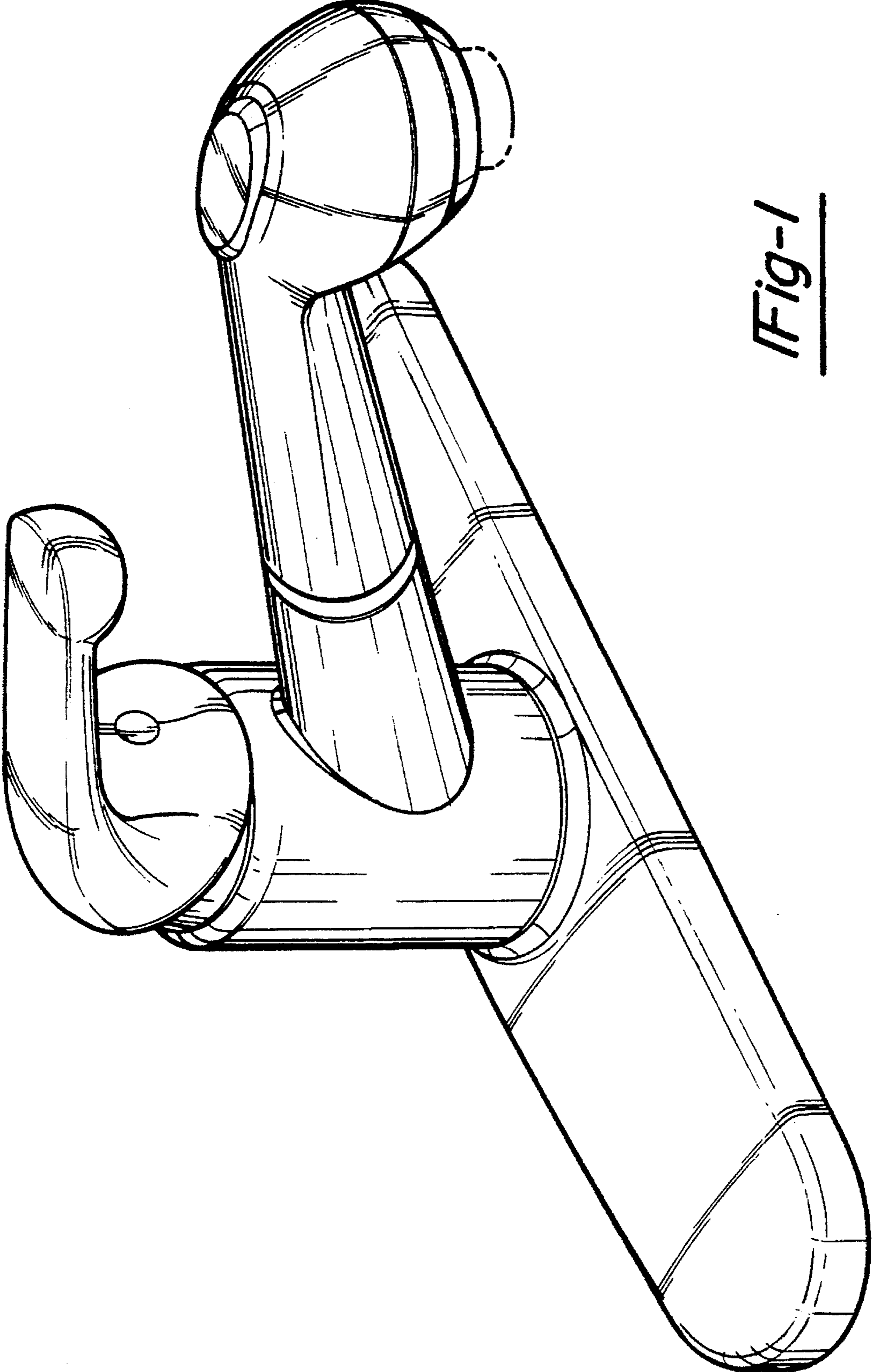


Fig-1

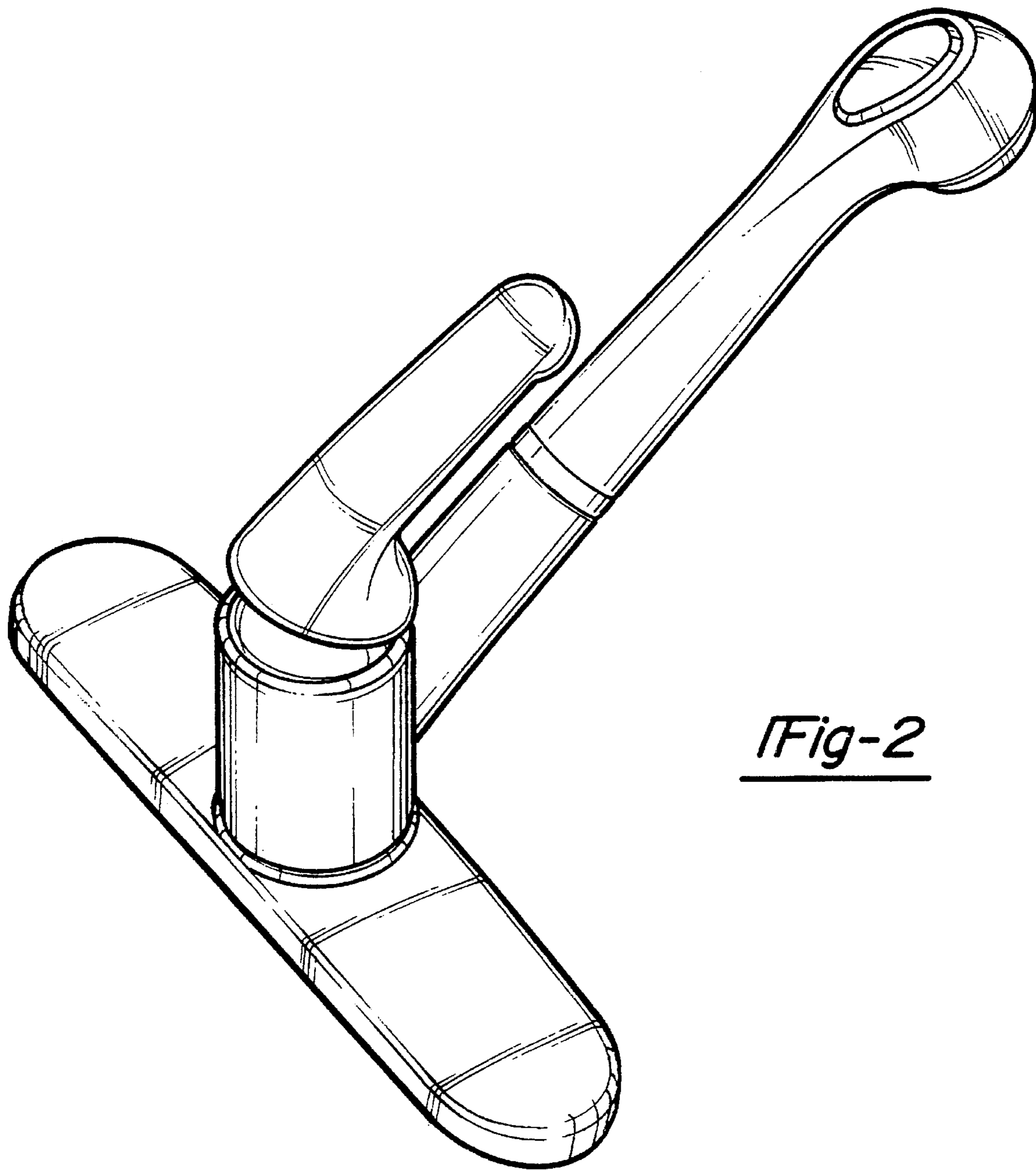
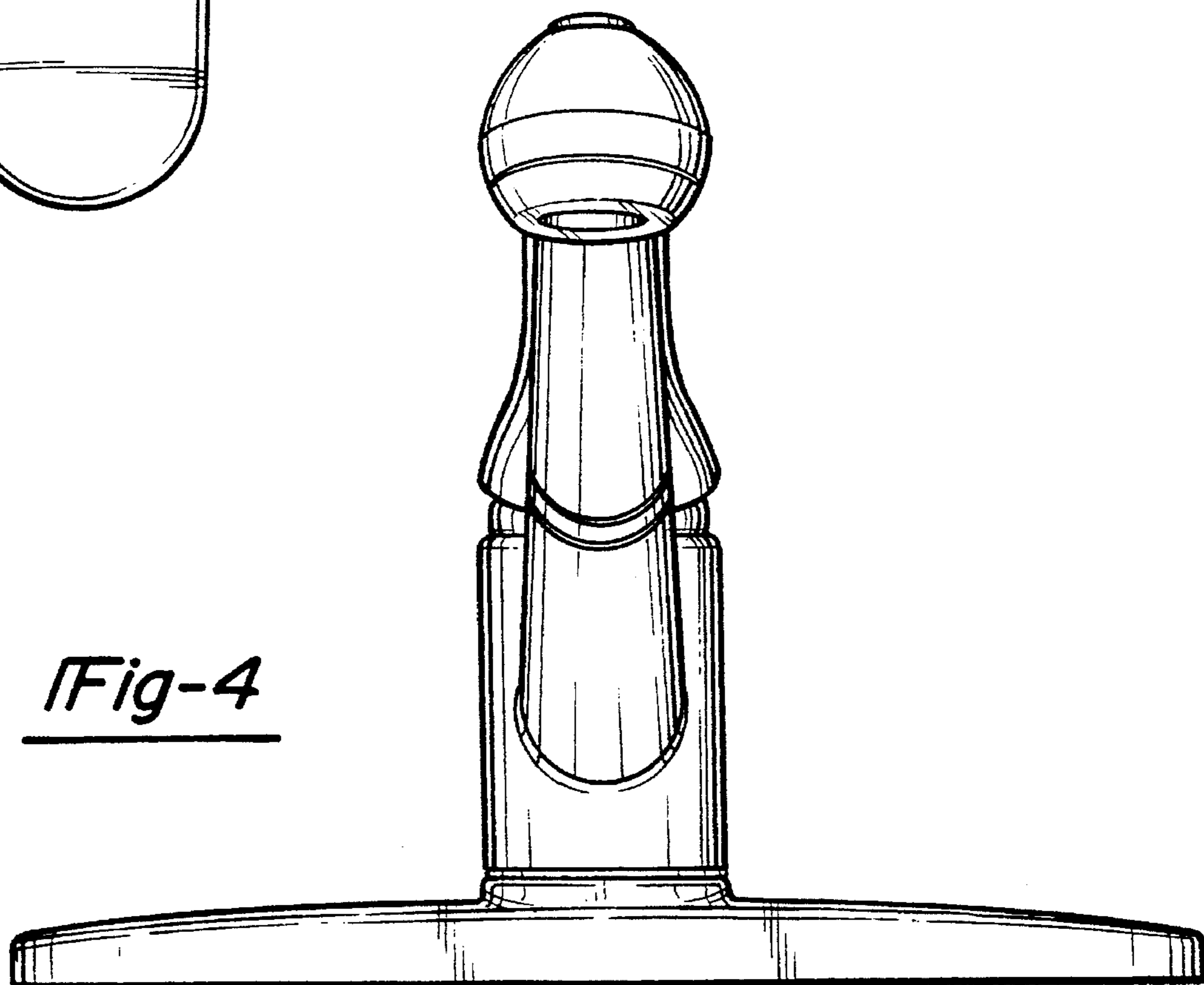
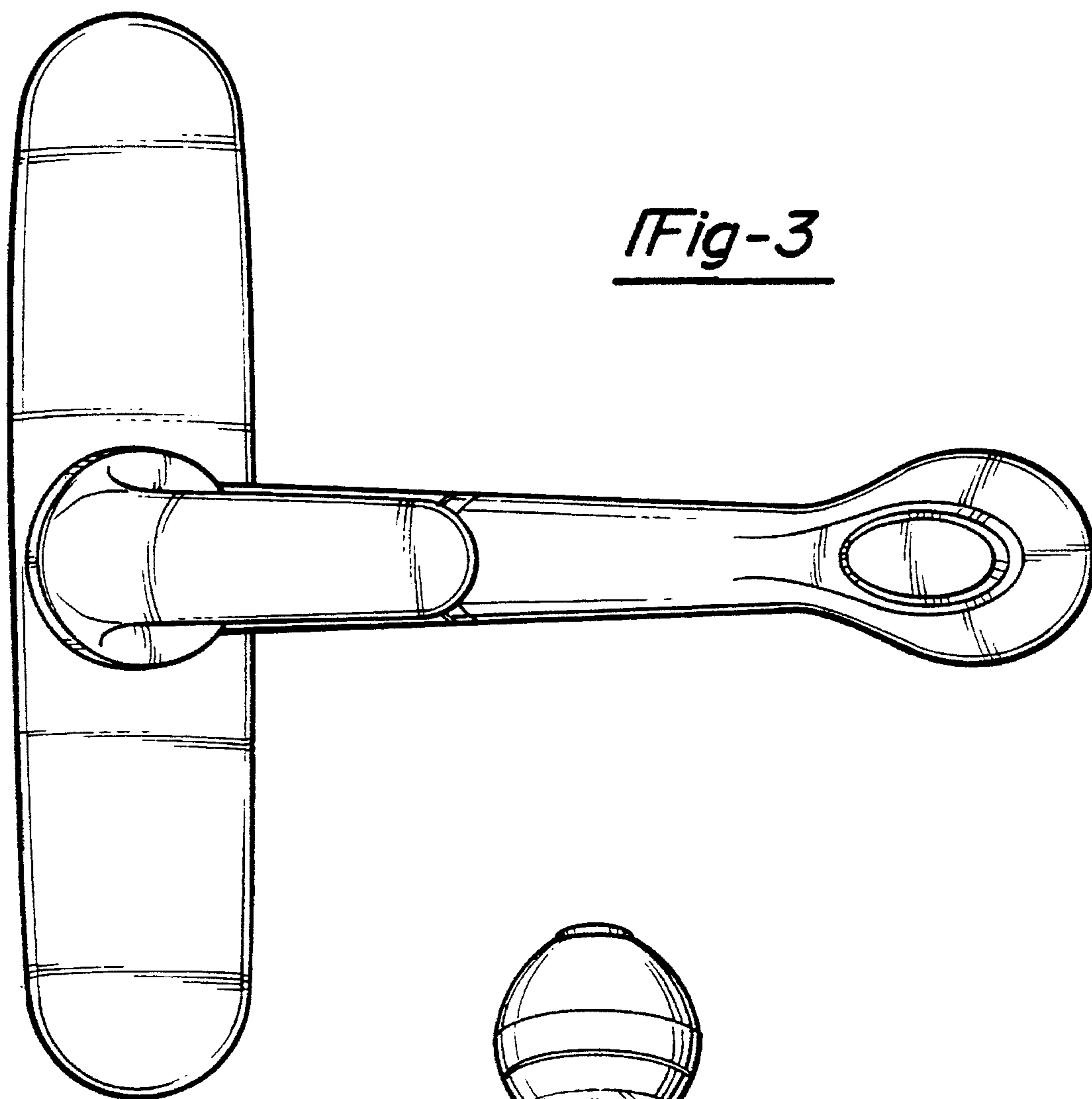


Fig-2



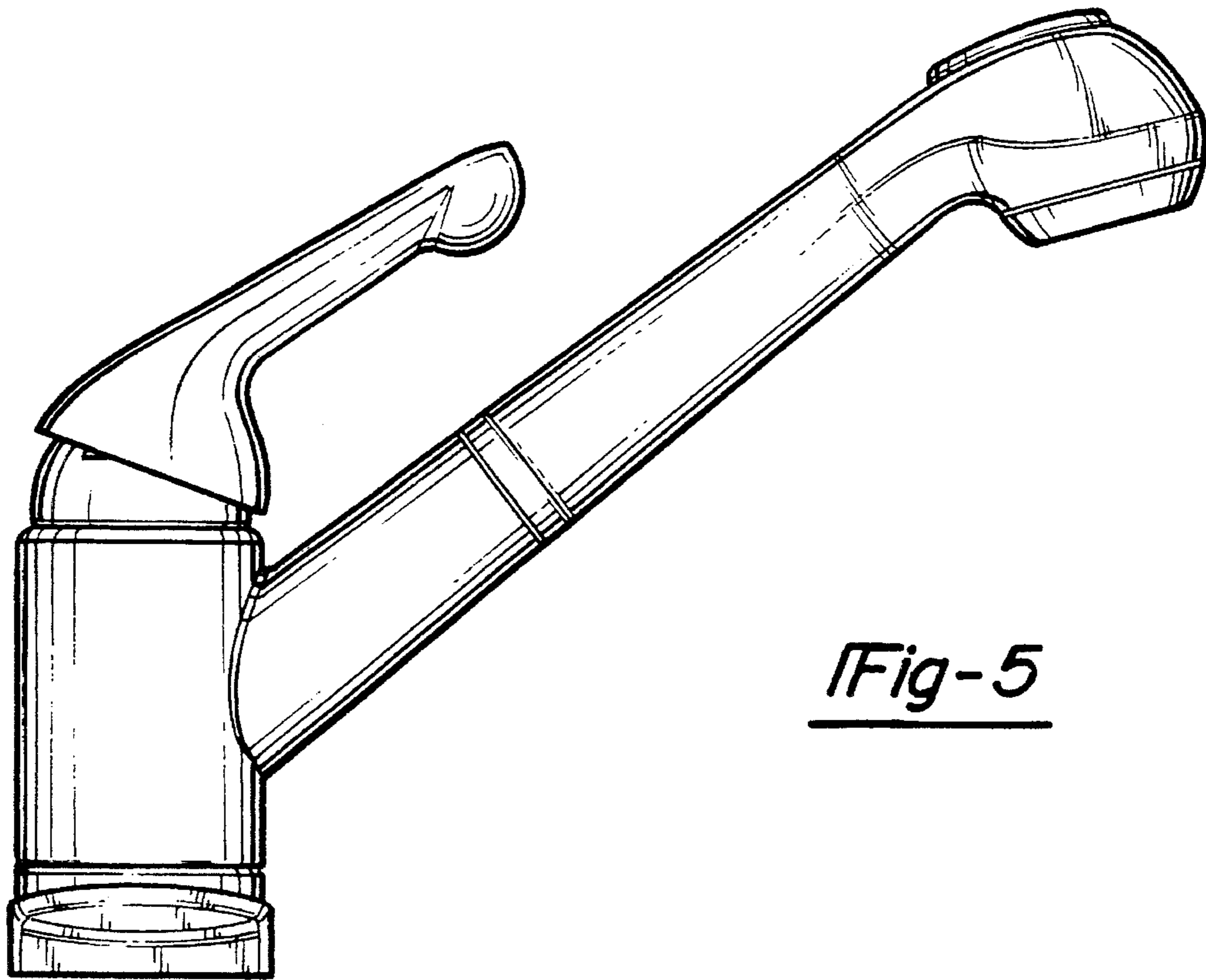


Fig-5

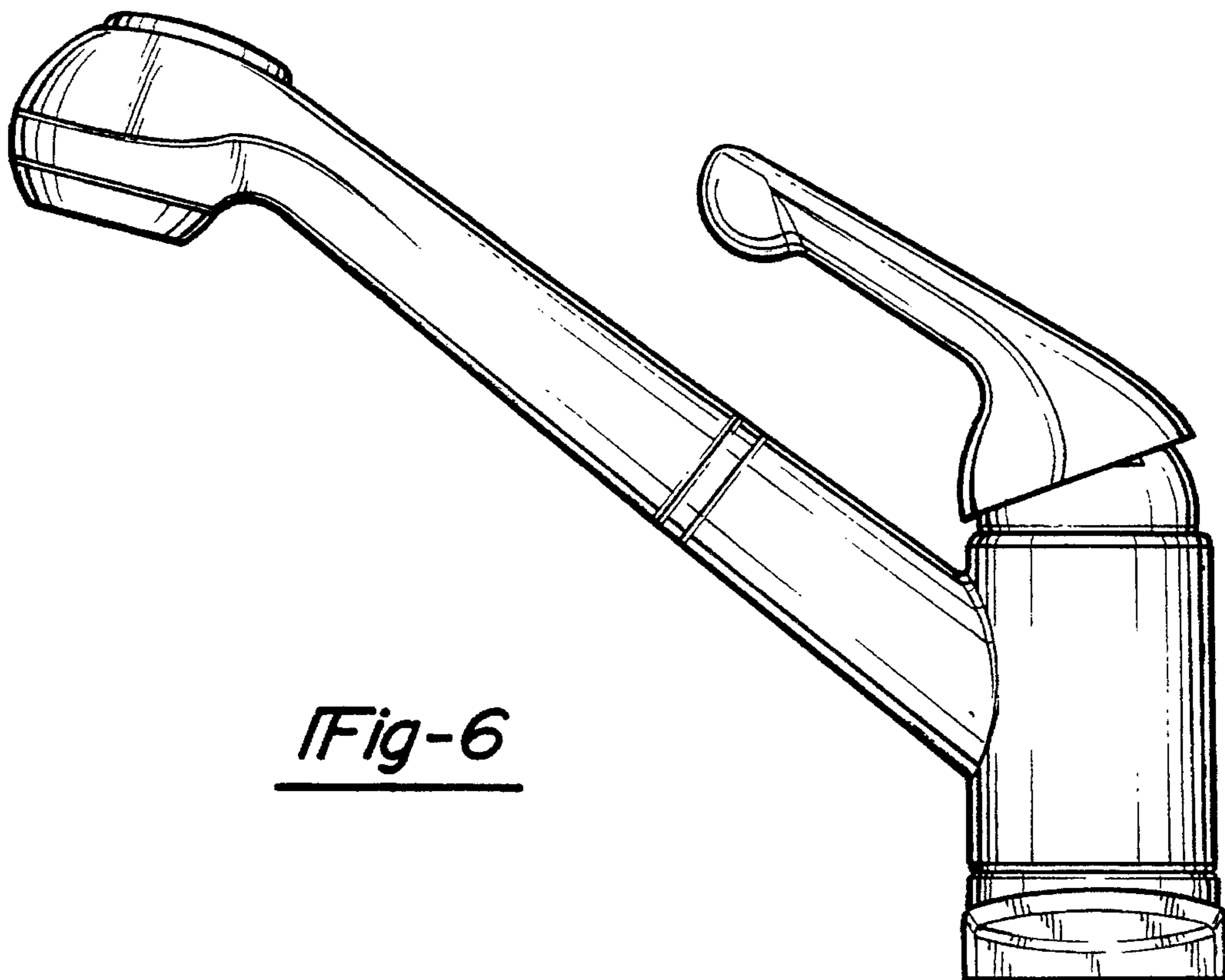


Fig-6

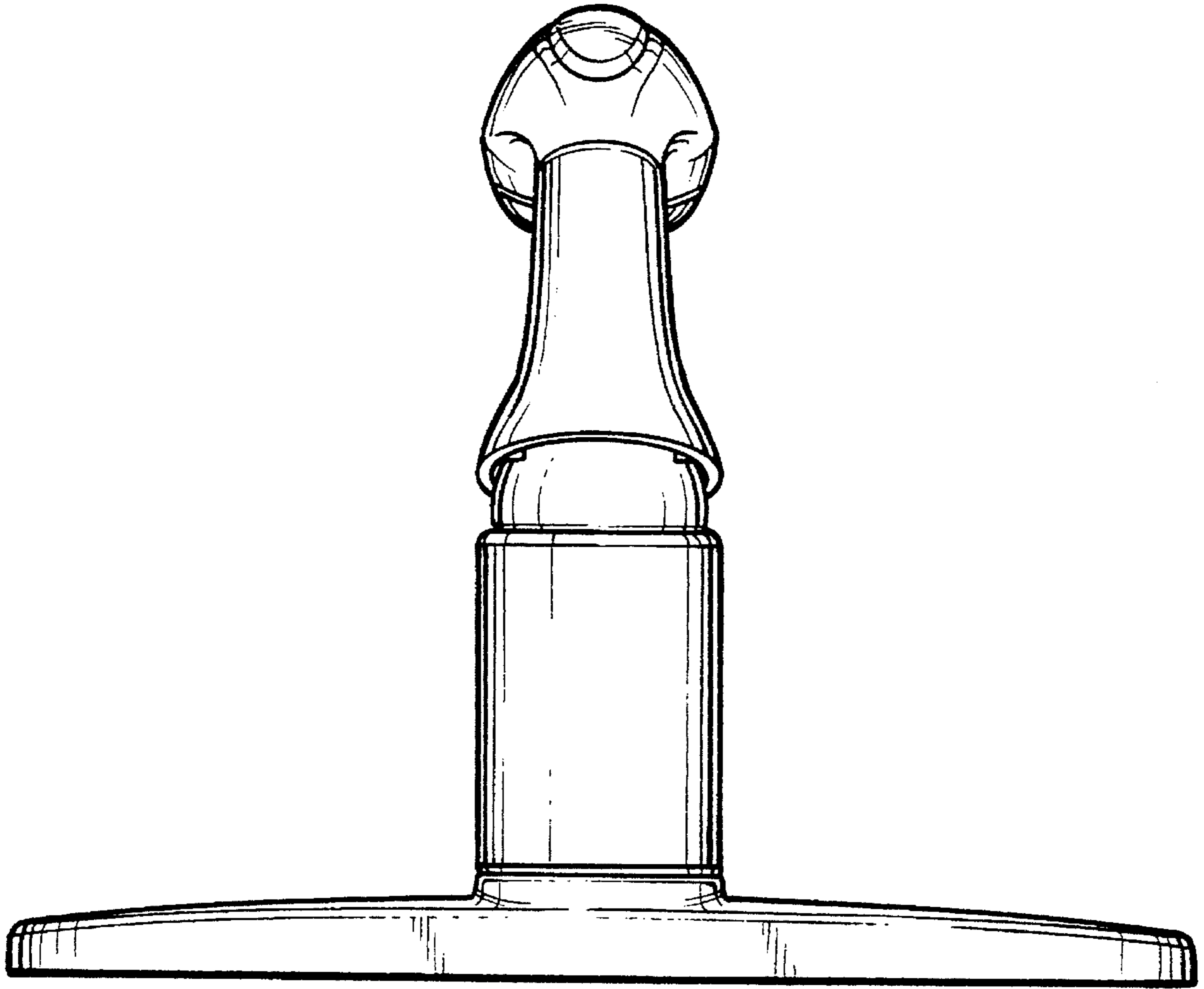


Fig-7