



US00D368763S

United States Patent [19]

[11] Patent Number: **Des. 368,763**

Howcroft

[45] Date of Patent: ****Apr. 9, 1996**

[54] **IN-LINE LAWN CHEMICAL INJECTOR**

4,957,134 9/1990 Craig .
5,150,840 9/1992 Gryukiewicz 239/310

[76] Inventor: **David M. Howcroft**, 7675 Garland,
Washington, Mich. 48094-2838

FOREIGN PATENT DOCUMENTS

[**] Term: **14 Years**

1292039 9/1962 France .
1375881 3/1965 France .

[21] Appl. No.: **34,119**

Primary Examiner—A. Hugo Word
Assistant Examiner—Robin V. Taylor
Attorney, Agent, or Firm—Dennis H. Lambert

[22] Filed: **Jan. 27, 1995**

[52] U.S. Cl. **D23/225**

[58] Field of Search D23/213, 223-229;
239/302, 310, 315-317, 373, 394, 414-415,
460, 390-391, 380-383; D8/2; 137/268

[57] CLAIM

The ornamental design for an in-line lawn chemical injector,
as shown and described.

[56] References Cited

DESCRIPTION

U.S. PATENT DOCUMENTS

D. 309,653	7/1990	Kendrick	D23/213
D. 326,309	5/1992	Kendrick	D23/213
1,806,025	5/1931	Seaman	239/315
2,760,819	8/1956	Thomas	239/315
3,155,113	11/1964	Germeshausen	239/315
3,199,957	8/1965	Vivian	137/268
3,876,146	4/1975	Pacheco	.	
4,156,396	5/1979	Konucik	.	
4,340,179	7/1982	Knapp	.	
4,898,202	2/1990	Craig	.	
4,936,335	6/1990	Macon	.	

FIG. 1 is an exploded front, top and side perspective view of
the in-line lawn chemical injector embodying the present
invention;

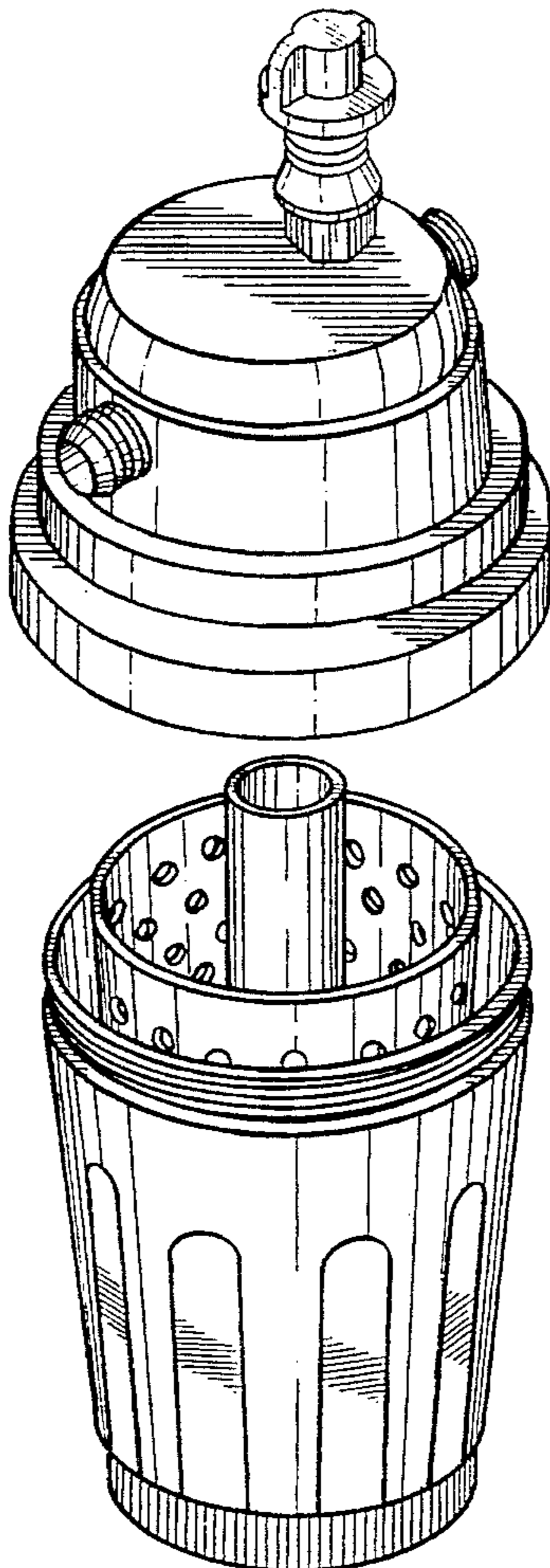
FIG. 2 is a front elevational view thereof, the rear being a
mirror image;

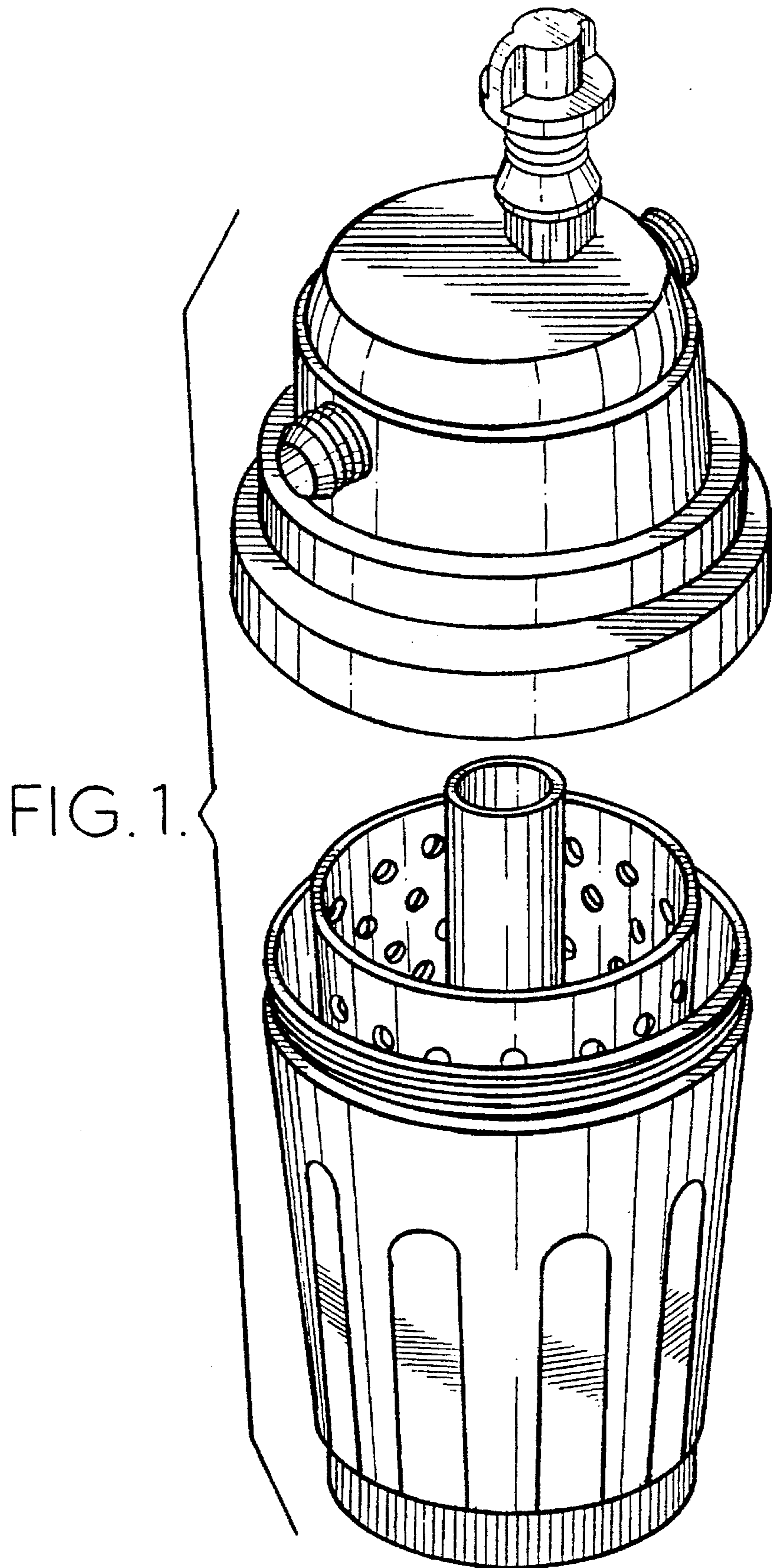
FIG. 3 is a side elevational view thereof, the side opposite
being a mirror image of the side shown in FIG. 3;

FIG. 4 is a top plan view thereof; and,

FIG. 5 is a bottom plan view thereof.

1 Claim, 3 Drawing Sheets





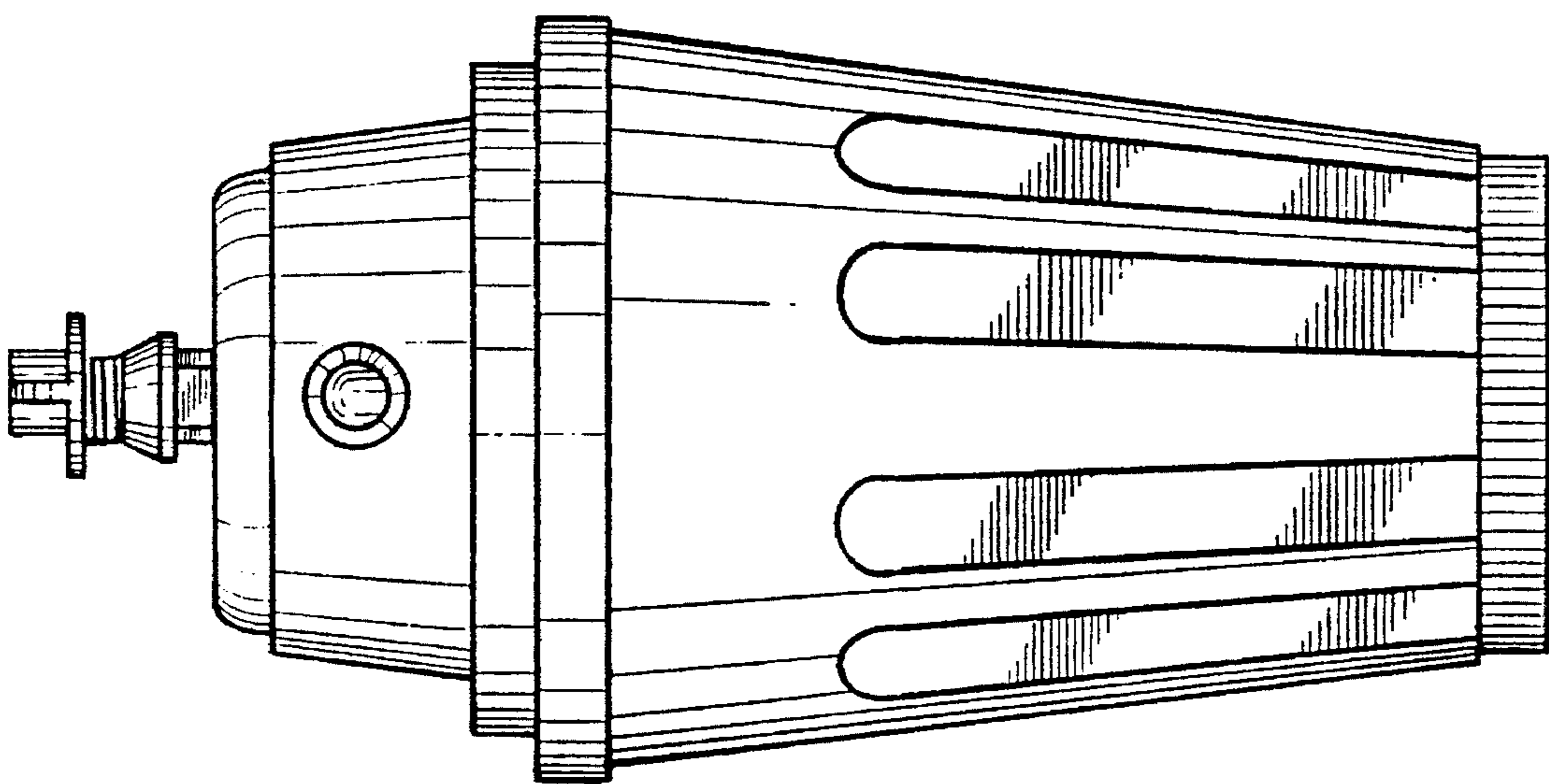


FIG. 2.

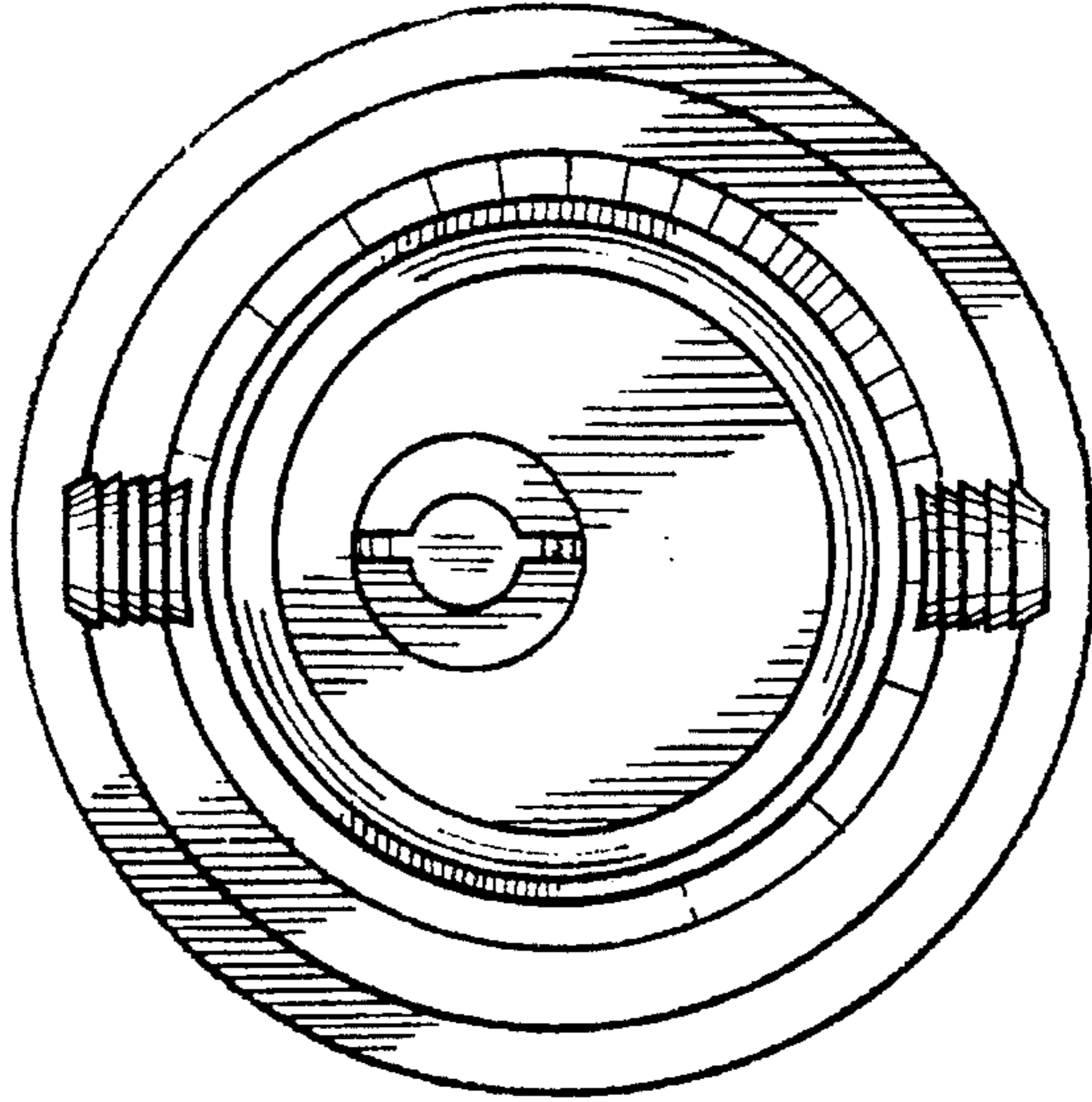


FIG. 4

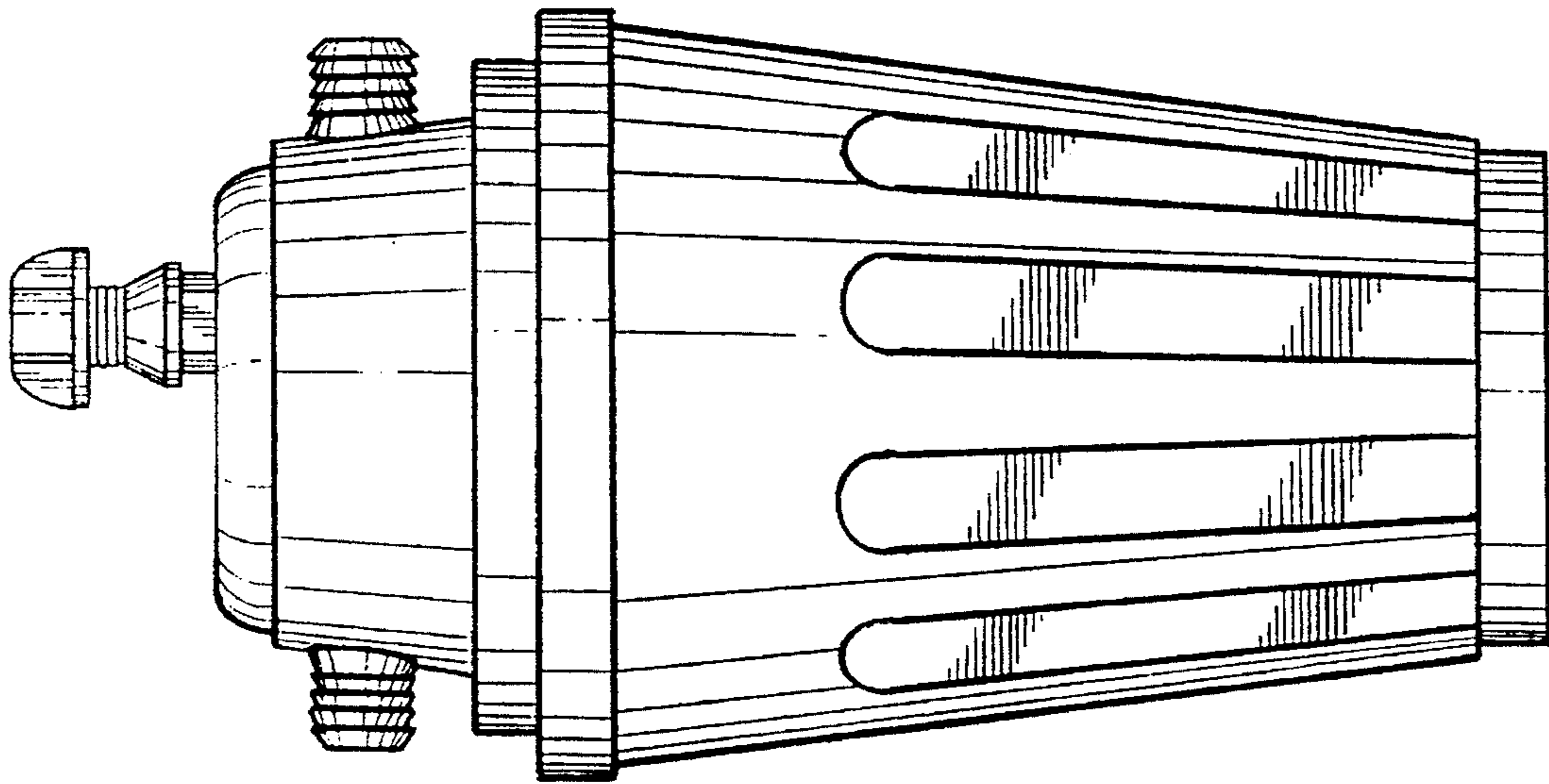


FIG. 3.

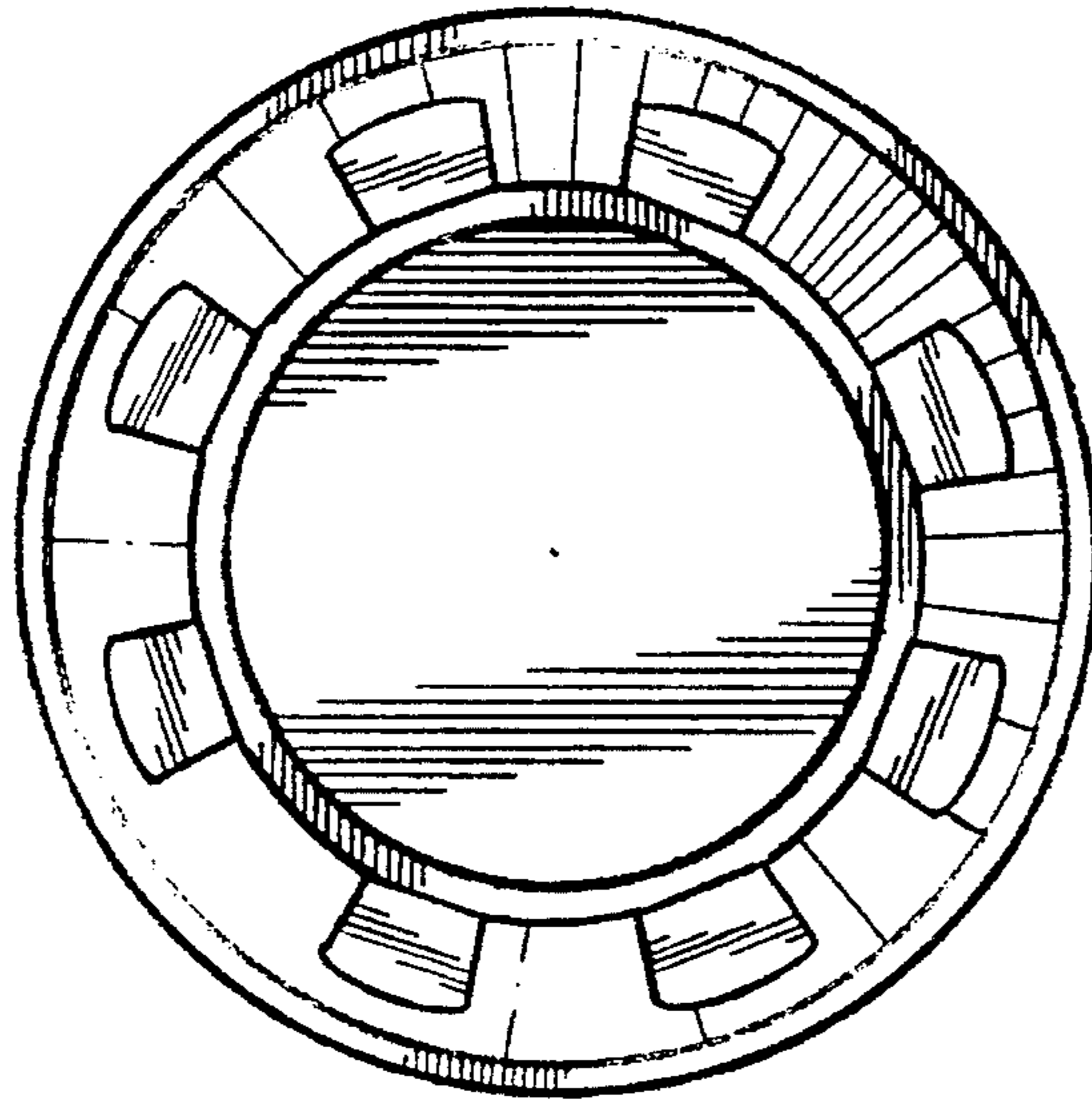


FIG. 5.