



US00D368761S

United States Patent [19]
Andrus

[11] **Patent Number: Des. 368,761**
[45] **Date of Patent: **Apr. 9, 1996**

[54] **SHOWER HEAD**

[75] Inventor: **Leonard C. Andrus**, W. Bloomfield, Mich.

[73] Assignee: **Brass Craft Manufacturing Company**, Novi, Mich.

[**] Term: **14 Years**

[21] Appl. No.: **26,937**

[22] Filed: **Aug. 9, 1994**

[52] U.S. Cl. **D23/213**

[58] **Field of Search** D23/213, 223-229; 239/394, 282, 268, 456-460, 443-449, 390-391, 380-383, 562-567; 4/567, 570, 596, 615

- D. 332,303 1/1993 Klose .
- D. 333,338 2/1993 Klose .
- D. 334,046 3/1993 Klose .
- D. 337,810 7/1993 Bengtson et al. .
- D. 339,627 9/1993 Klose .
- 3,058,670 10/1962 Marotto 239/390
- 3,180,579 4/1965 Tomaso .
- 3,468,483 9/1969 Parkison .
- 4,203,550 5/1980 On .
- 4,303,201 12/1981 Elkins et al. .
- 4,588,130 5/1986 Trenary et al. .
- 4,629,125 12/1986 Liu .
- 5,297,735 3/1994 Heimann et al. .

OTHER PUBLICATIONS

Hardware Age item Shower Massager, advertisement Great Vibrations, Mar. 1987.

Primary Examiner—A. Hugo Word
Assistant Examiner—Robin V. Taylor
Attorney, Agent, or Firm—Myron B. Kapustij; Malcolm L. Sutherland

[56] **References Cited**

U.S. PATENT DOCUMENTS

- D. 113,439 2/1969 Reinecke D23/213
- D. 208,526 9/1967 Delamater .
- D. 245,859 9/1977 Grube .
- D. 261,300 10/1981 Klose .
- D. 261,417 10/1981 Klose .
- D. 267,582 1/1983 MacKay et al. .
- D. 268,359 3/1983 Klose .
- D. 268,611 4/1983 Klose .
- D. 269,540 6/1983 Larsson .
- D. 313,456 1/1991 Presman .
- D. 313,833 1/1991 Presman .
- D. 314,608 2/1991 Presman .
- D. 315,191 3/1991 Mikol .
- D. 320,064 9/1991 Presman .
- D. 323,205 1/1992 Klose .
- D. 327,729 7/1992 Rogers .

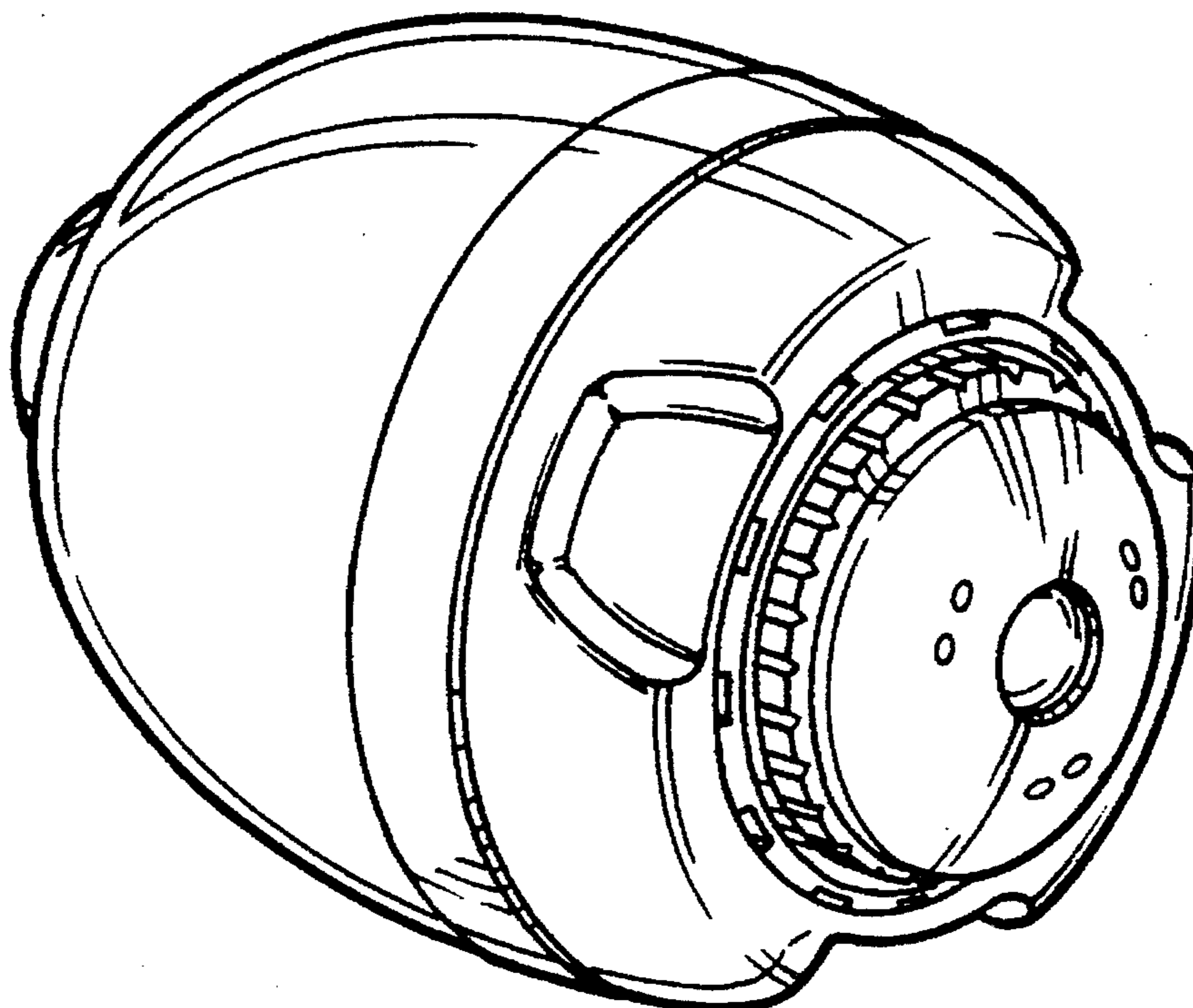
[57] **CLAIM**

The ornamental design for a shower head, as shown and described.

DESCRIPTION

FIG. 1 is a front perspective view of a shower head showing my new design;
FIG. 2 is a front elevational view thereof;
FIG. 3 is a side elevational view thereof, the opposite side being identical; and,
FIG. 4 is a rear elevational view thereof.

1 Claim, 2 Drawing Sheets



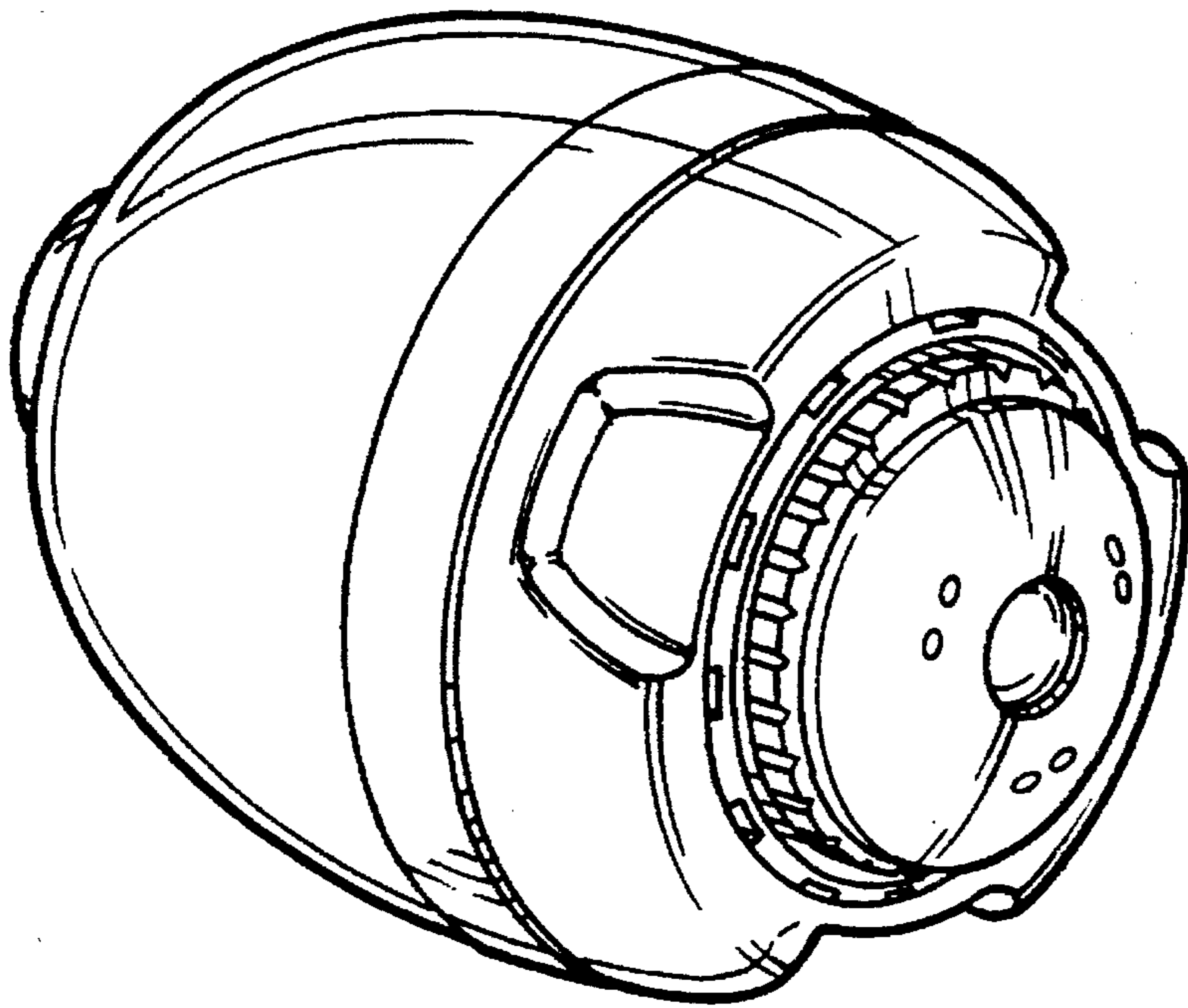


Fig - 1

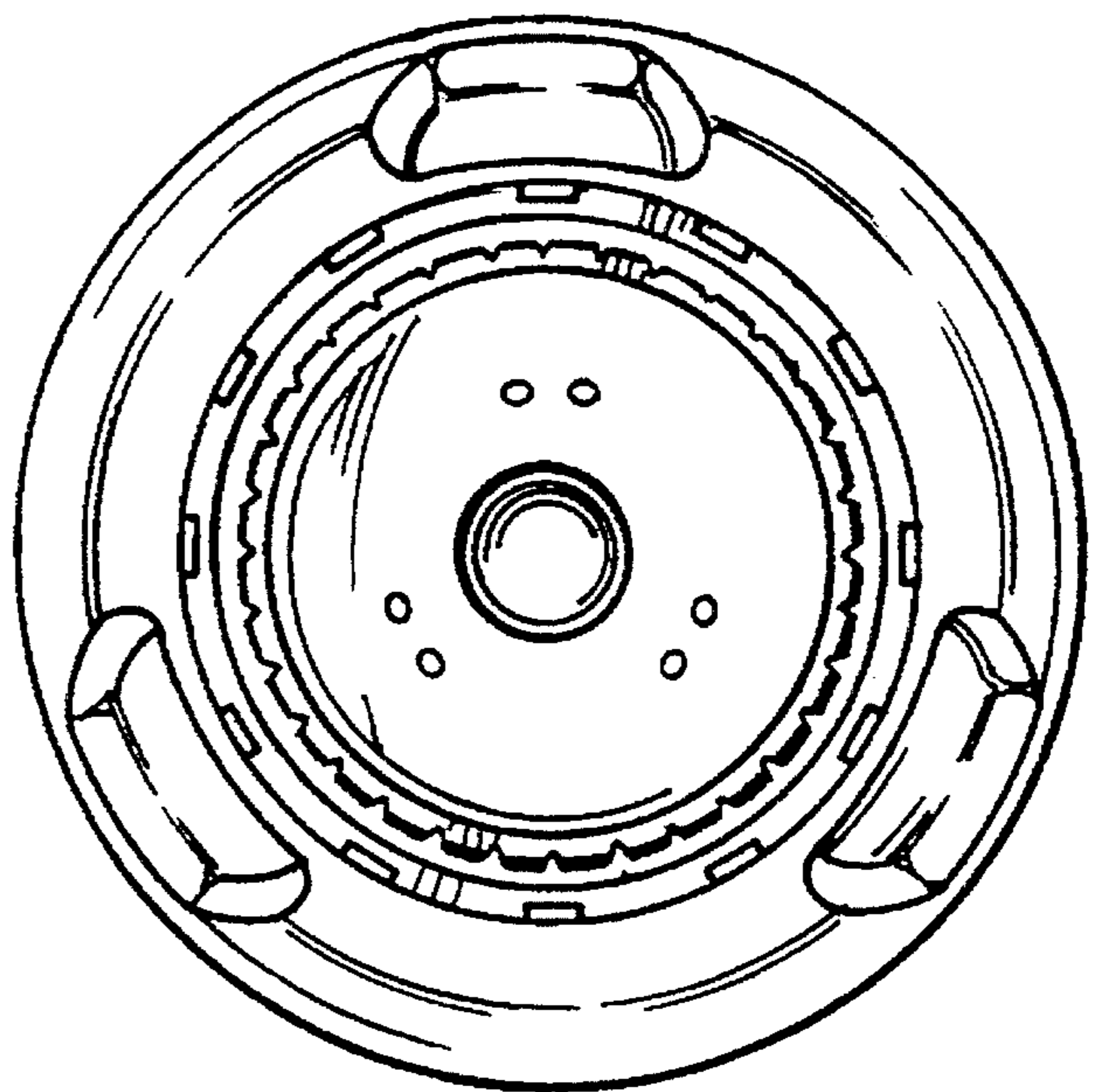


Fig - 2

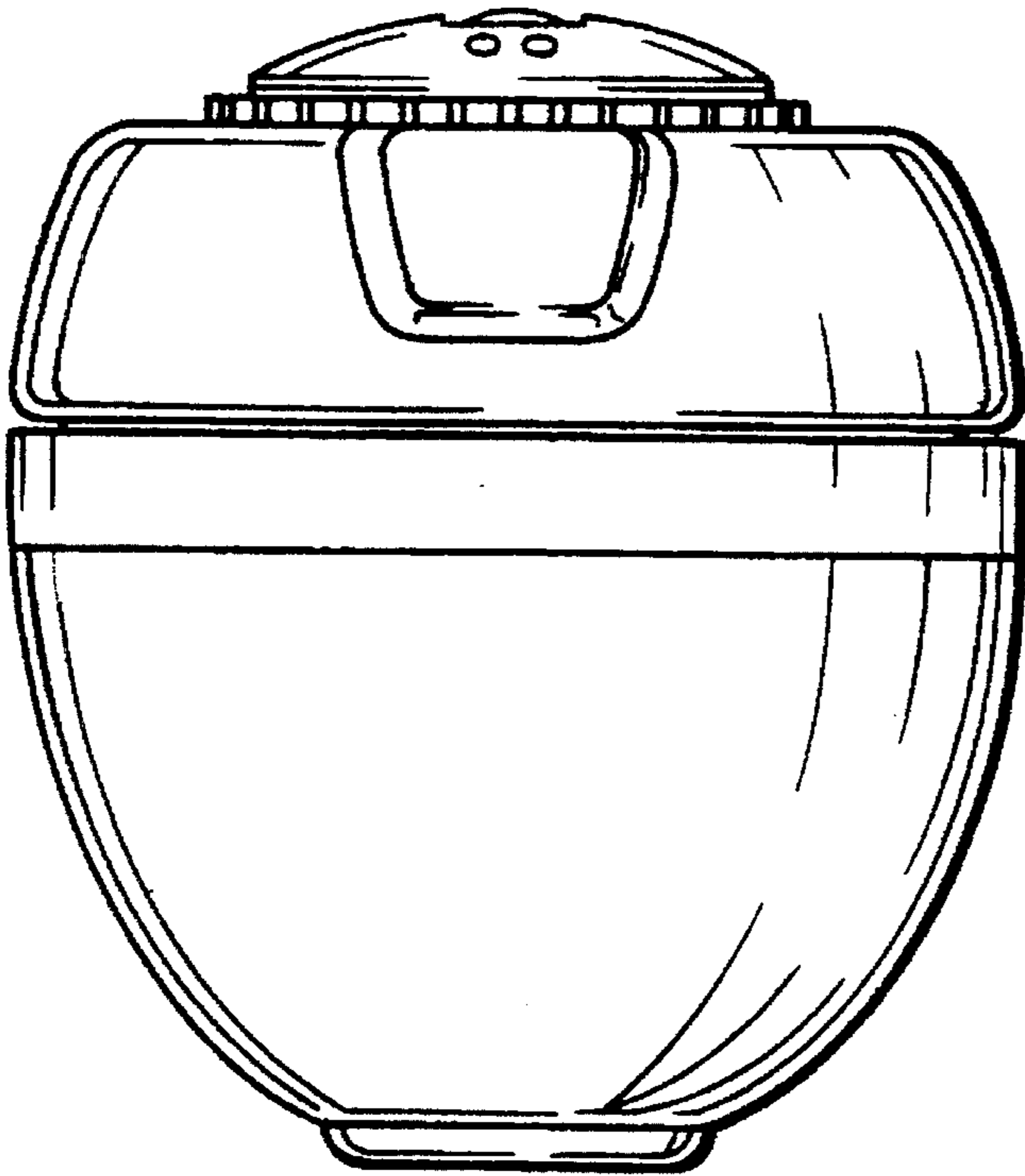


Fig - 3

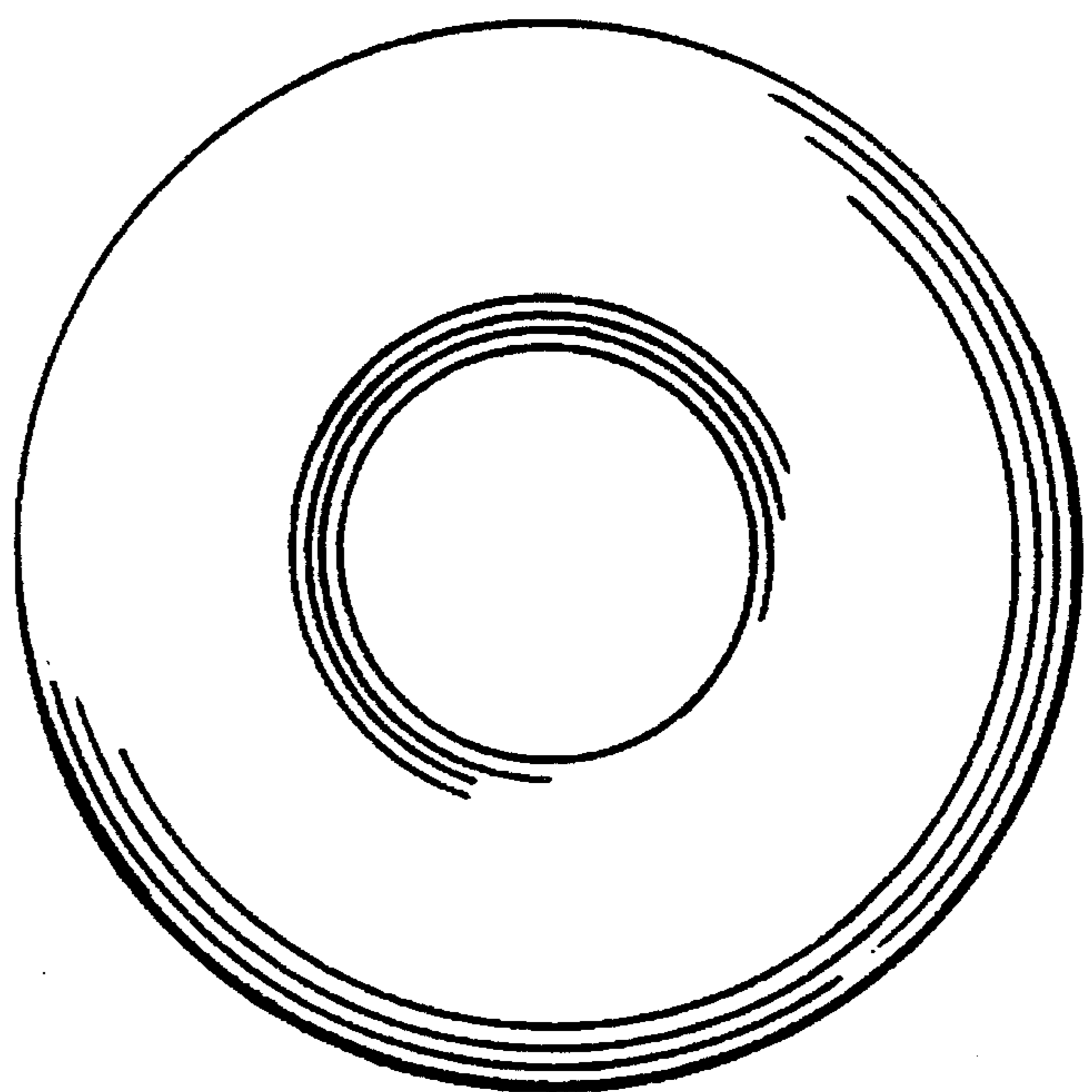


Fig - 4