



US00D368760S

# United States Patent [19]

Ullrich et al.

[11] Patent Number: **Des. 368,760**

[45] Date of Patent: **\*\*Apr. 9, 1996**

[54] **CAROUSEL**

[76] Inventors: **Jurgen Ullrich**, Eisbergsteige 1, 72202 Nagold; **Karin Kohl**, Ringstrasse 26/1, 75328 Schomberg, both of Germany

[\*\*] Term: **14 Years**

[21] Appl. No.: **27,121**

[22] Filed: **Aug. 1, 1994**

### [30] Foreign Application Priority Data

Jan. 31, 1994 [DE] Germany ..... M 94 00 830.2

[52] U.S. Cl. .... **D21/249**

[58] Field of Search ..... D21/249; 472/1, 472/14, 29, 40

### [56] References Cited

#### U.S. PATENT DOCUMENTS

D. 178,330 7/1956 Williams ..... D21/249

D. 233,899 12/1974 Burkart et al. .... D21/240 X  
D. 330,403 10/1992 Lambert ..... D21/249  
D. 332,818 1/1993 Spirk, Jr. et al. .... D21/249  
3,603,583 9/1971 Bartlett ..... 472/14 X

*Primary Examiner*—Ted Shooman

*Assistant Examiner*—Mitchell I. Siegel

*Attorney, Agent, or Firm*—Burns, Doane, Swecker & Mathis

### [57] CLAIM

The ornamental design for a carousel, as shown and described.

### DESCRIPTION

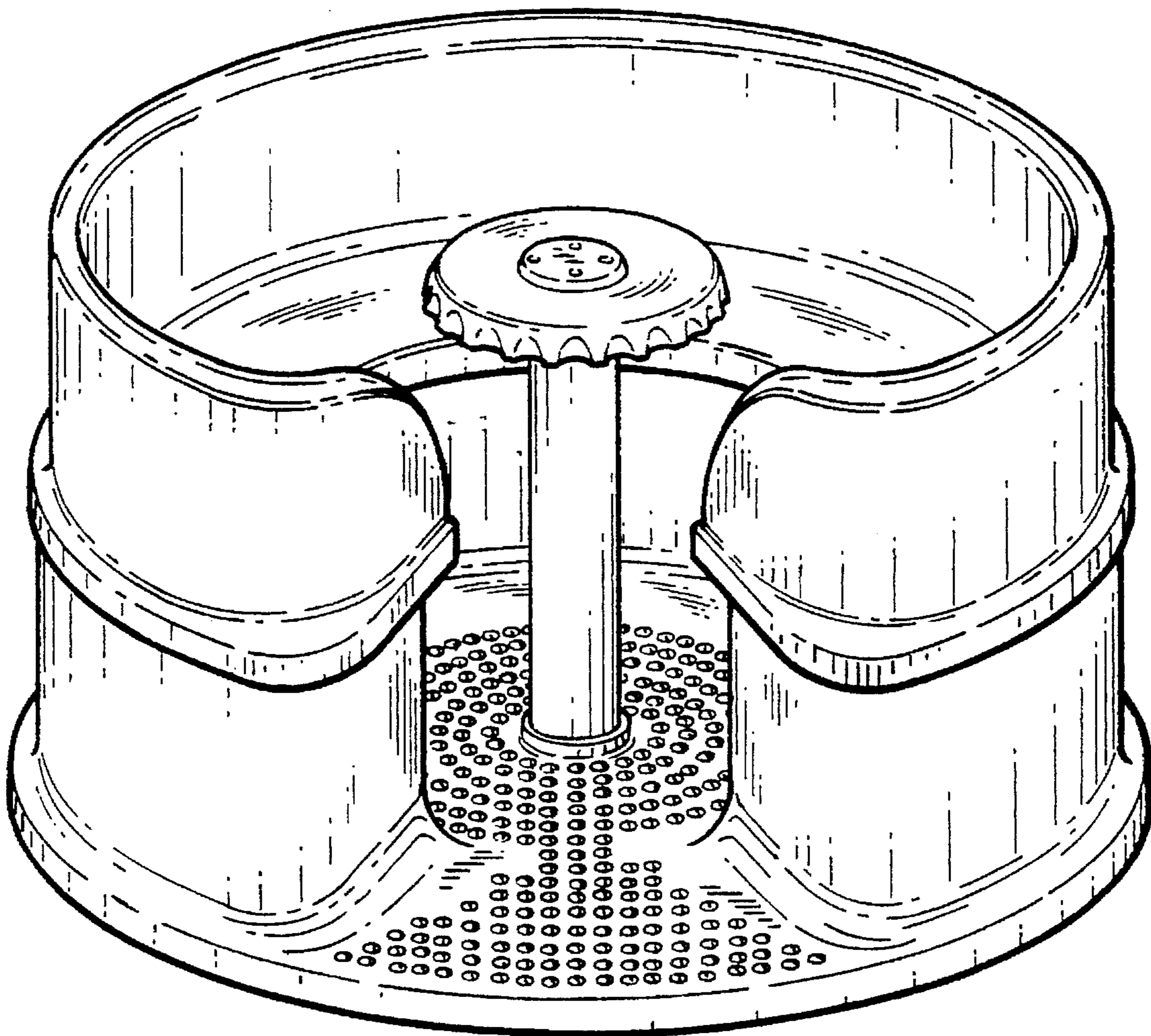
FIG. 1 is a front elevational view of a carousel showing our new design;

FIG. 2 is a top plan view thereof; and,

FIG. 3 is a rear elevational view thereof.

The undisclosed bottom is unornamented.

1 Claim, 2 Drawing Sheets



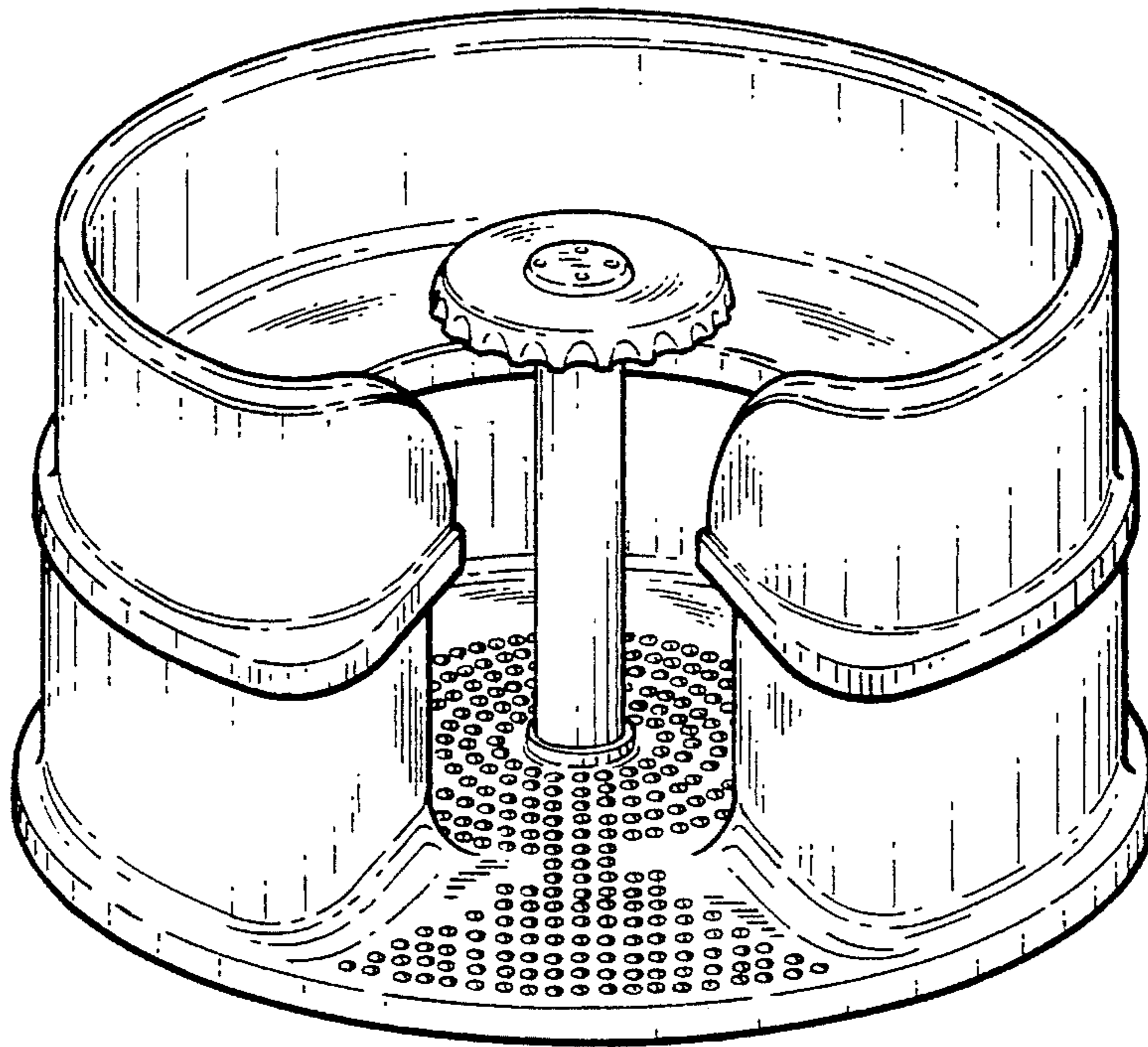


FIG. 1

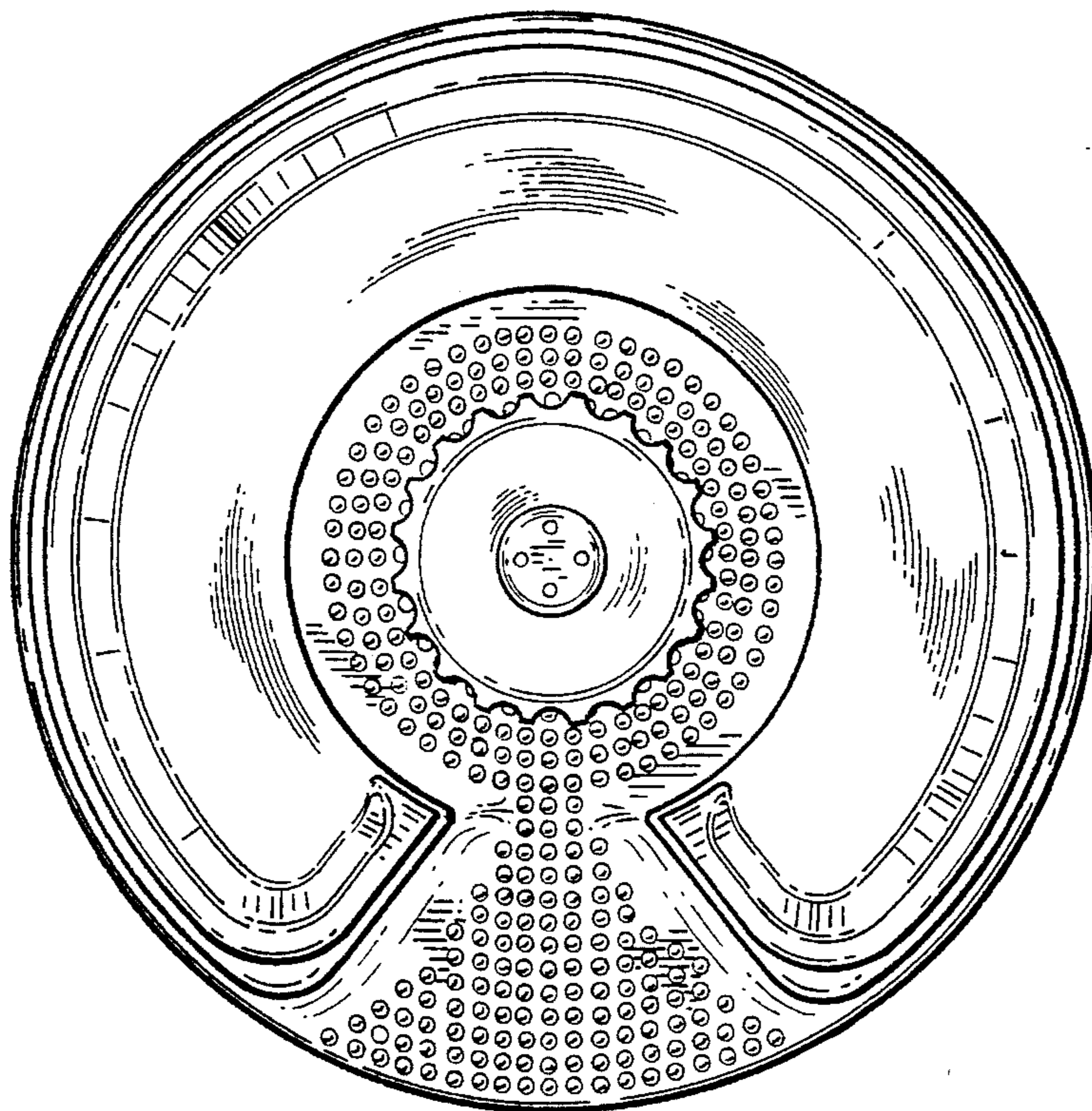


FIG. 2

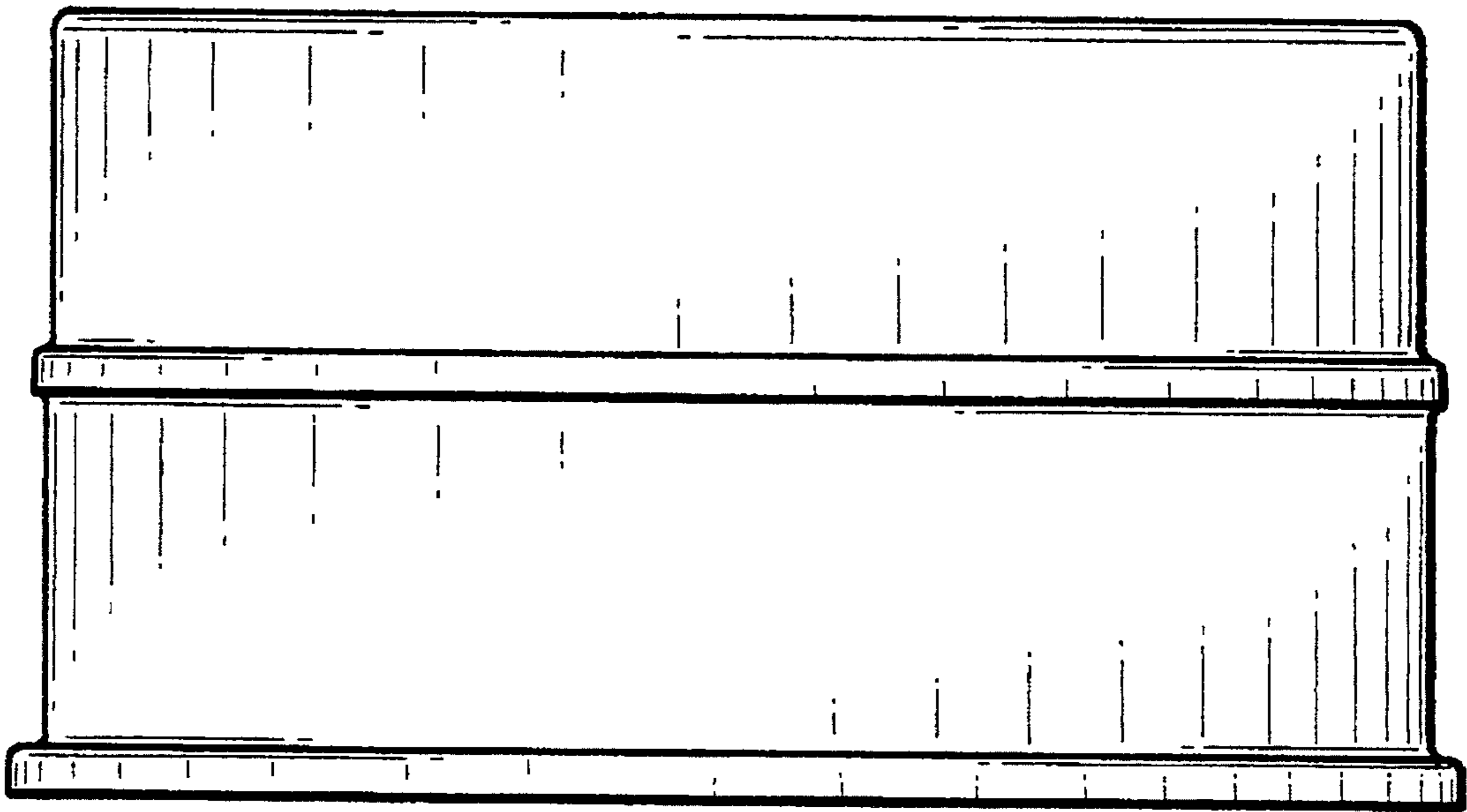


FIG. 3