



US00D368750S

# United States Patent [19]

[11] Patent Number: **Des. 368,750**

Izett et al.

[45] Date of Patent: **\*\*Apr. 9, 1996**

## [54] GOLF PUTTER HEAD

[76] Inventors: **George G. Izett**, 2538 Haverford Ave., Ardmore, Pa. 19003; **Jay Ciccarone**, 668 Woodland Ave., Pottstown, Pa. 19464

[\*\*] Term: **14 Years**

[21] Appl. No.: **38,714**

[22] Filed: **May 10, 1995**

[52] U.S. Cl. .... **D21/217**

[58] Field of Search ..... **D21/217-219;**  
**273/167 A-K, 175**

## [56] References Cited

### U.S. PATENT DOCUMENTS

D. 213,509	3/1969	Solheim	.....	D21/219
D. 275,981	10/1984	Duclos	.....	D21/219
D. 302,285	7/1989	MacFarlane	.....	D21/17
D. 319,088	8/1991	Walton	.....	D21/219

### OTHER PUBLICATIONS

Austadt's 1988 Spring Catalog; 25 Anniversary; p. 14, putter on middle right of page.  
Austad's 1986 Christmas Catalog; p. 14; putter on left middle of page.

*Primary Examiner*—Ted Shooman  
*Assistant Examiner*—Mitchell J. Siegel  
*Attorney, Agent, or Firm*—Daniel H. Golub

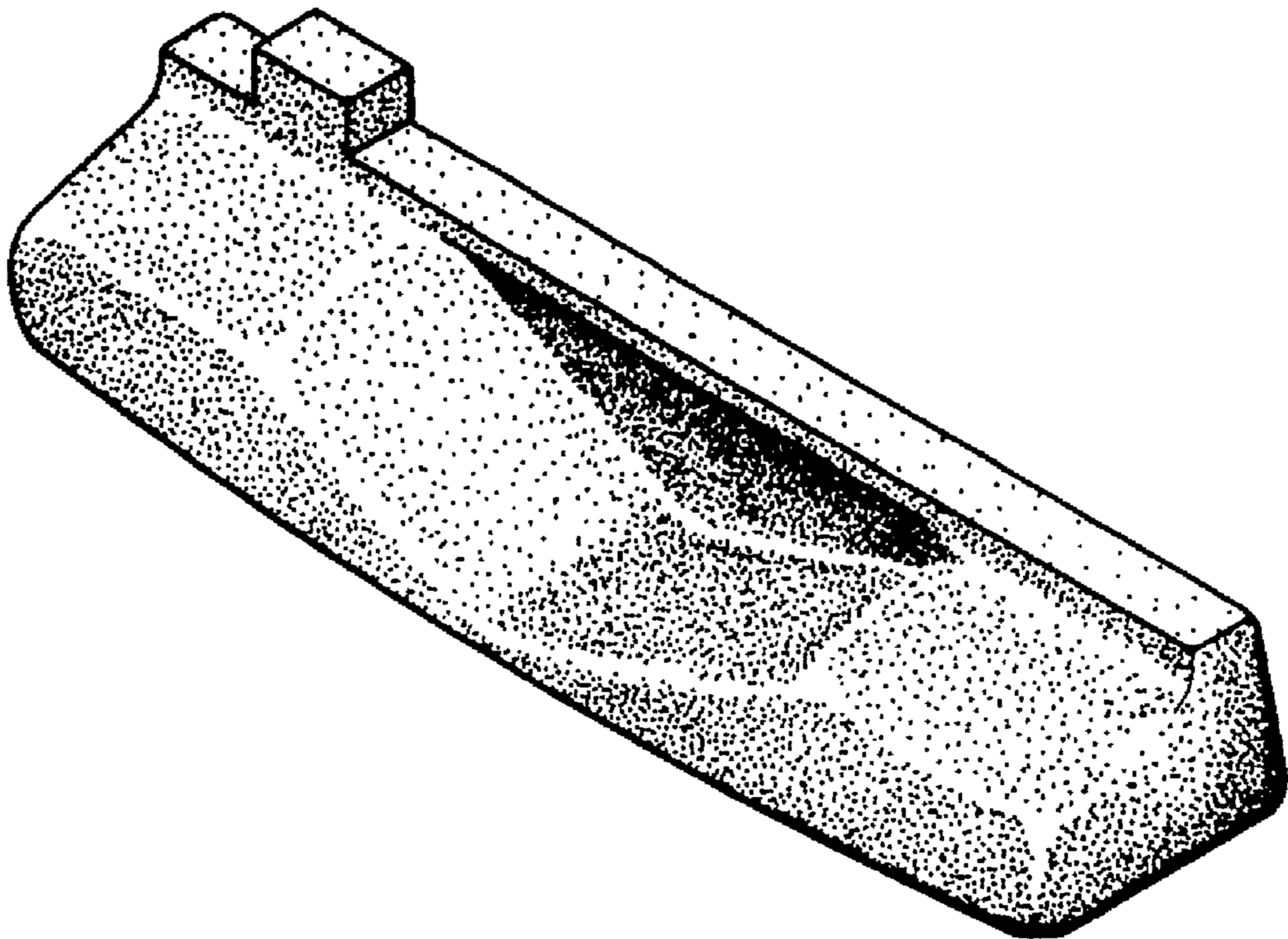
## [57] CLAIM

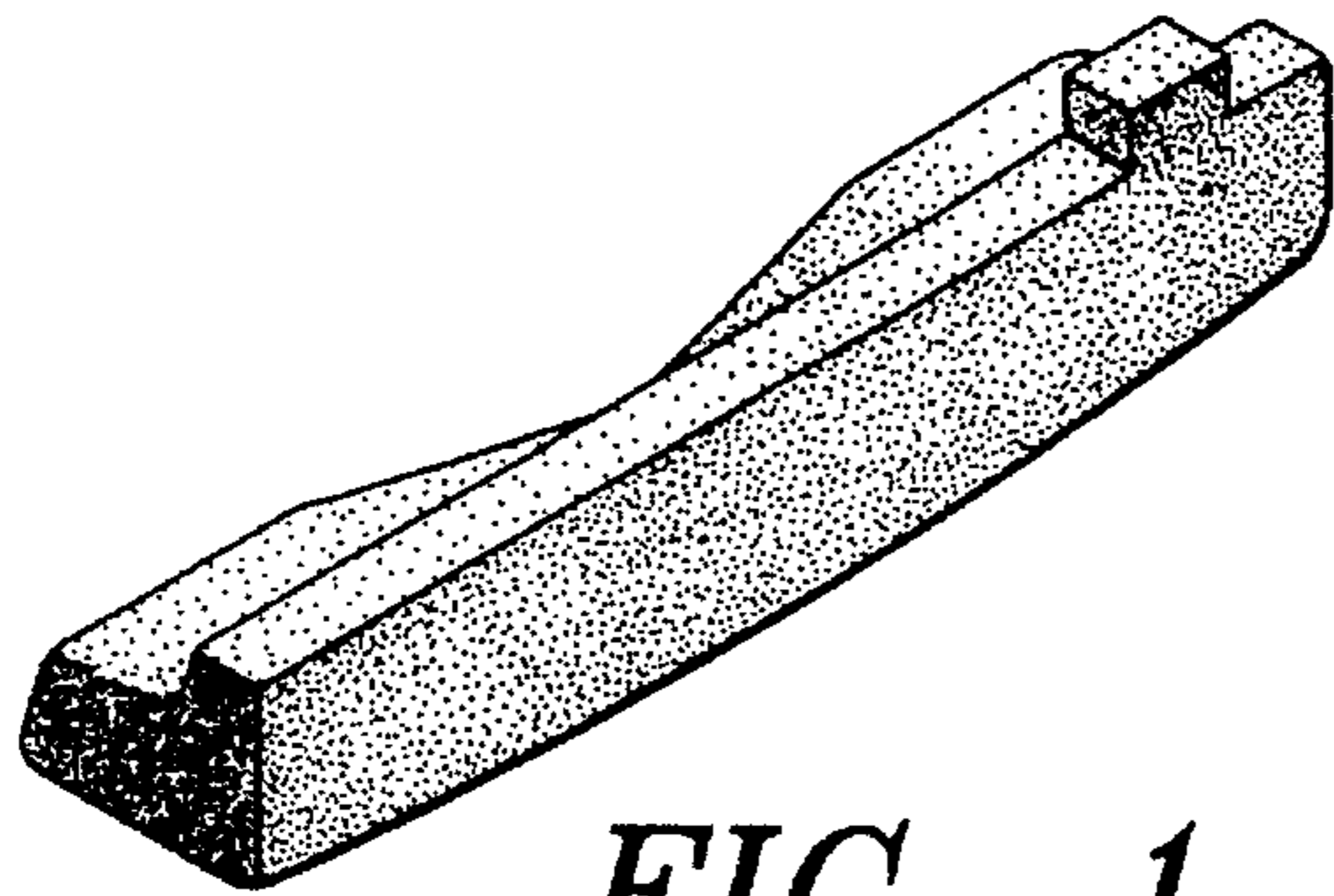
The ornamental design for a golf putter head, as shown and described.

## DESCRIPTION

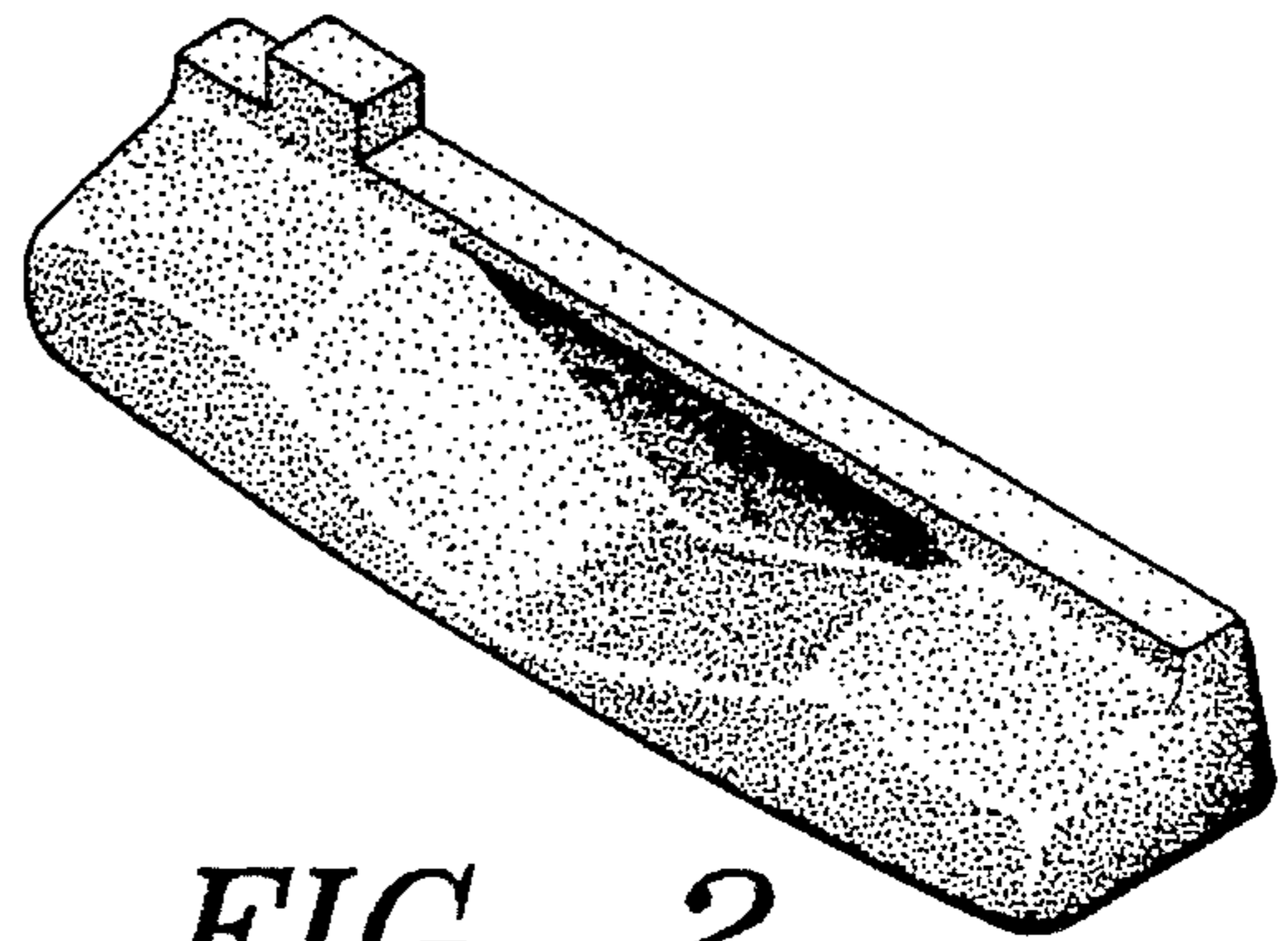
FIG. 1 is a front perspective view of a golf putter head showing our new design;  
FIG. 2 is a rear perspective view of the golf putter head;  
FIG. 3 is a front view of the golf putter head;  
FIG. 4 is a rear view of the golf putter head;  
FIG. 5 is a right end view of the golf putter head;  
FIG. 6 is a left end view of the golf putter head;  
FIG. 7 is a top view of the golf putter head; and,  
FIG. 8 is a bottom view of the golf putter head.

**1 Claim, 1 Drawing Sheet**

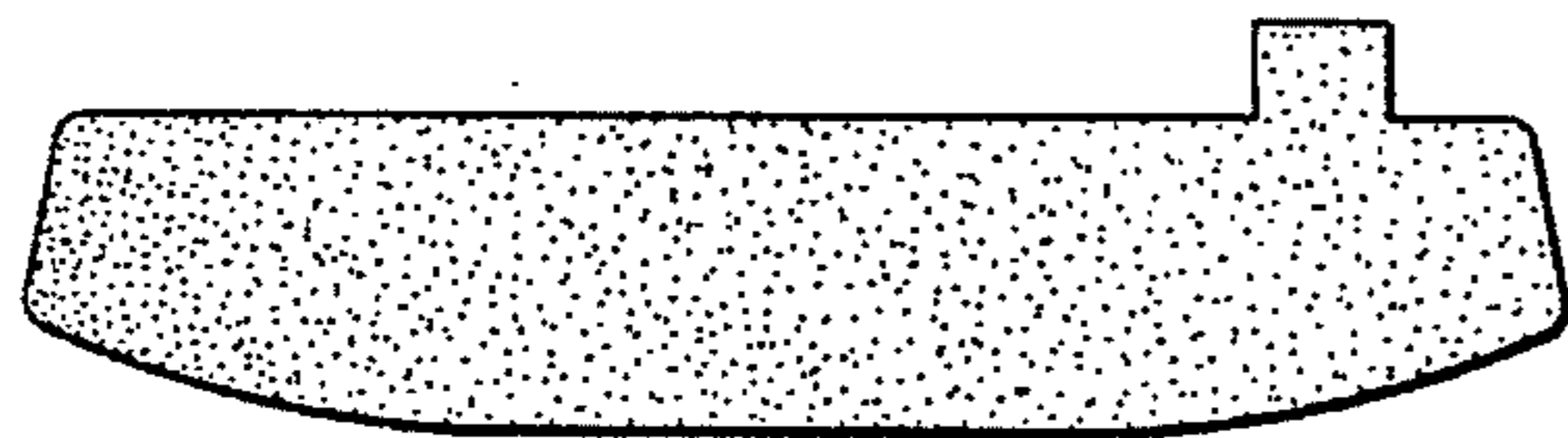




*FIG. 1*



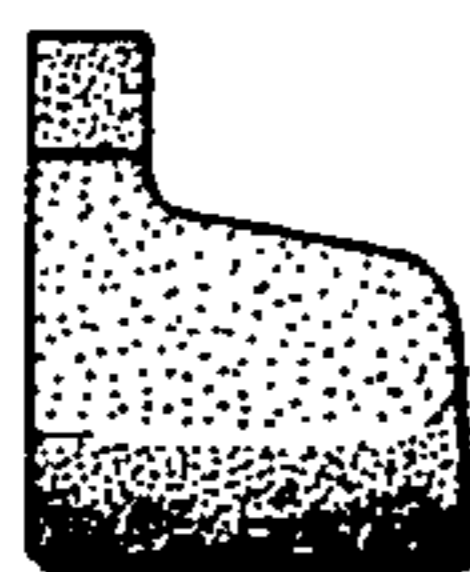
*FIG. 2*



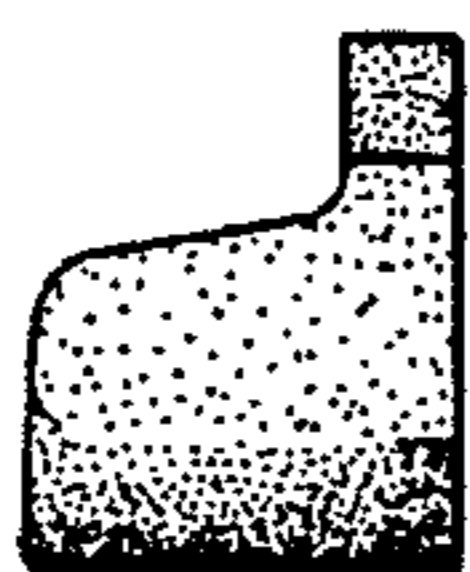
*FIG. 3*



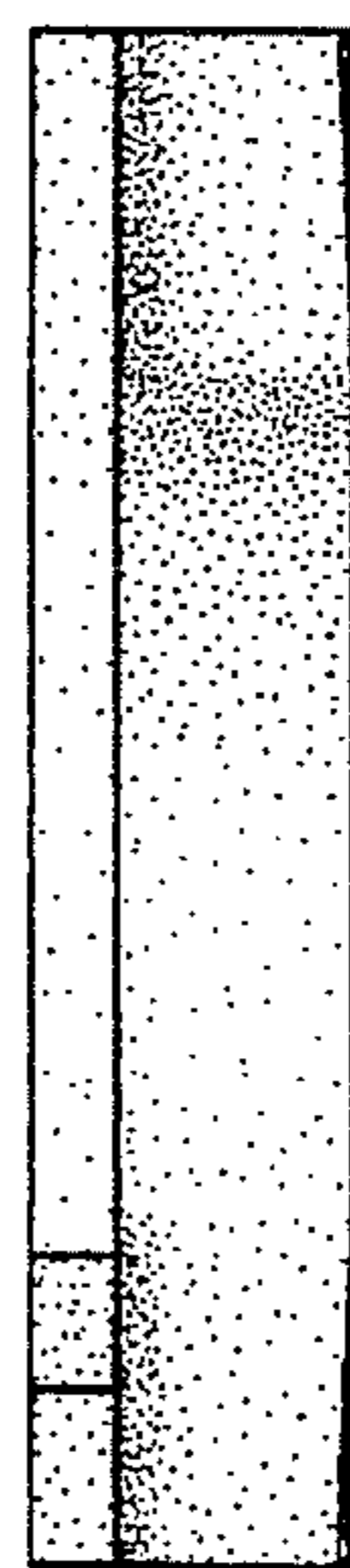
*FIG. 4*



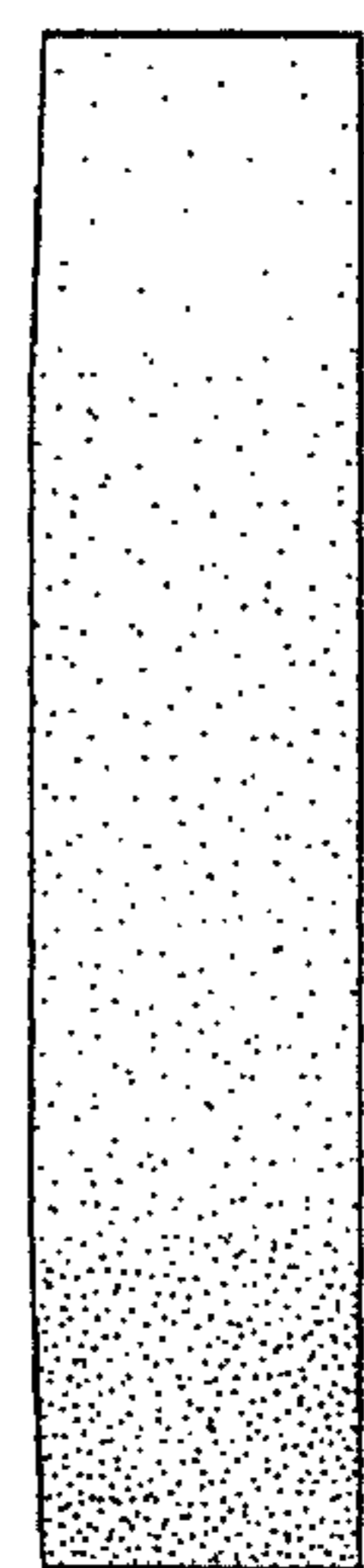
*FIG. 5*



*FIG. 6*



*FIG. 7*



*FIG. 8*