



US00D368749S

United States Patent [19]

[11] Patent Number: **Des. 368,749**

Severa et al.

[45] Date of Patent: ****Apr. 9, 1996**

[54] **VIBRATION DAMPENER FOR A GAME RACQUET**

5,211,397 5/1993 Davis .
5,236,197 8/1993 Chen .
5,294,116 3/1994 Ahrens 273/73 E X

[75] Inventors: **William D. Severa**, West Chicago;
Willie McMillan, Bellwood, both of Ill.

FOREIGN PATENT DOCUMENTS

[73] Assignee: **Wilson Sporting Goods Co.**, Chicago, Ill.

332270 9/1976 Austria .
1106867 8/1981 Canada .
0208639 1/1987 European Pat. Off. .
786619 6/1935 France .
1398833 4/1965 France .
2582224A 11/1986 France .
2585256 1/1987 France .
463997 11/1926 Germany .
2501659 7/1976 Germany .
3123690 3/1983 Germany .
3324142 1/1985 Germany .
8432521 U 7/1985 Germany .
33504137 8/1986 Germany .
50-126365 10/1975 Japan .
56-130764 10/1981 Japan .
59-49782 3/1984 Japan .
60-168473 8/1985 Japan .
61-31469 2/1986 Japan .
61-88763 6/1986 Japan .
61-85257 6/1986 Japan .
20158 of 1899 United Kingdom .
267837 3/1927 United Kingdom .
2135588A 9/1984 United Kingdom .
WO80/02510 11/1980 WIPO .
WO85/05556 12/1985 WIPO .
WO88/02271 4/1988 WIPO .
WO89/01809 3/1989 WIPO .

[**] Term: **14 Years**

[21] Appl. No.: **34,212**

[22] Filed: **Jan. 30, 1995**

[52] U.S. Cl. **D21/212**

[58] Field of Search D21/212; D17/20,
D17/21; 273/29 R, 73 R, 73 A, 73 B, 73 D,
73 E

[56] References Cited

U.S. PATENT DOCUMENTS

D. 251,923 5/1979 Houghton .
D. 331,436 12/1992 Yanahara D21/212
D. 343,663 1/1994 Hillock D21/212
2,732,209 1/1956 Forbes .
3,874,666 4/1975 Ross .
3,941,380 3/1976 Lacoste .
4,119,313 10/1978 Popplewell .
4,165,071 8/1979 Frolow .
4,180,263 12/1979 Haines .
4,180,265 12/1979 Staufer .
4,291,574 9/1981 Frolow .
4,340,226 7/1982 Haines .
4,575,083 3/1986 Adam .
4,589,662 5/1986 Robaldo .
4,609,194 9/1986 Krent .
4,732,383 3/1988 Ferrari .
4,761,007 8/1988 Boschian .
4,765,620 8/1988 Janes .
4,776,590 10/1988 Krent .
4,909,509 3/1990 Boschian .
4,911,445 3/1990 Ferrari .
4,927,143 5/1990 Hillock .
4,962,928 10/1990 Camera .
5,096,194 3/1992 Yong .
5,149,090 9/1992 Chen .
5,158,286 10/1992 Soong .
5,169,146 12/1992 Soong .

OTHER PUBLICATIONS

"Tennis Tech" by Neil Amdur, Aug. 1987.
1988 Tennis String International Catalog, p. 11.
Instruction insert for Wilson's ProFeel Vibration Dampening Device, 1988.

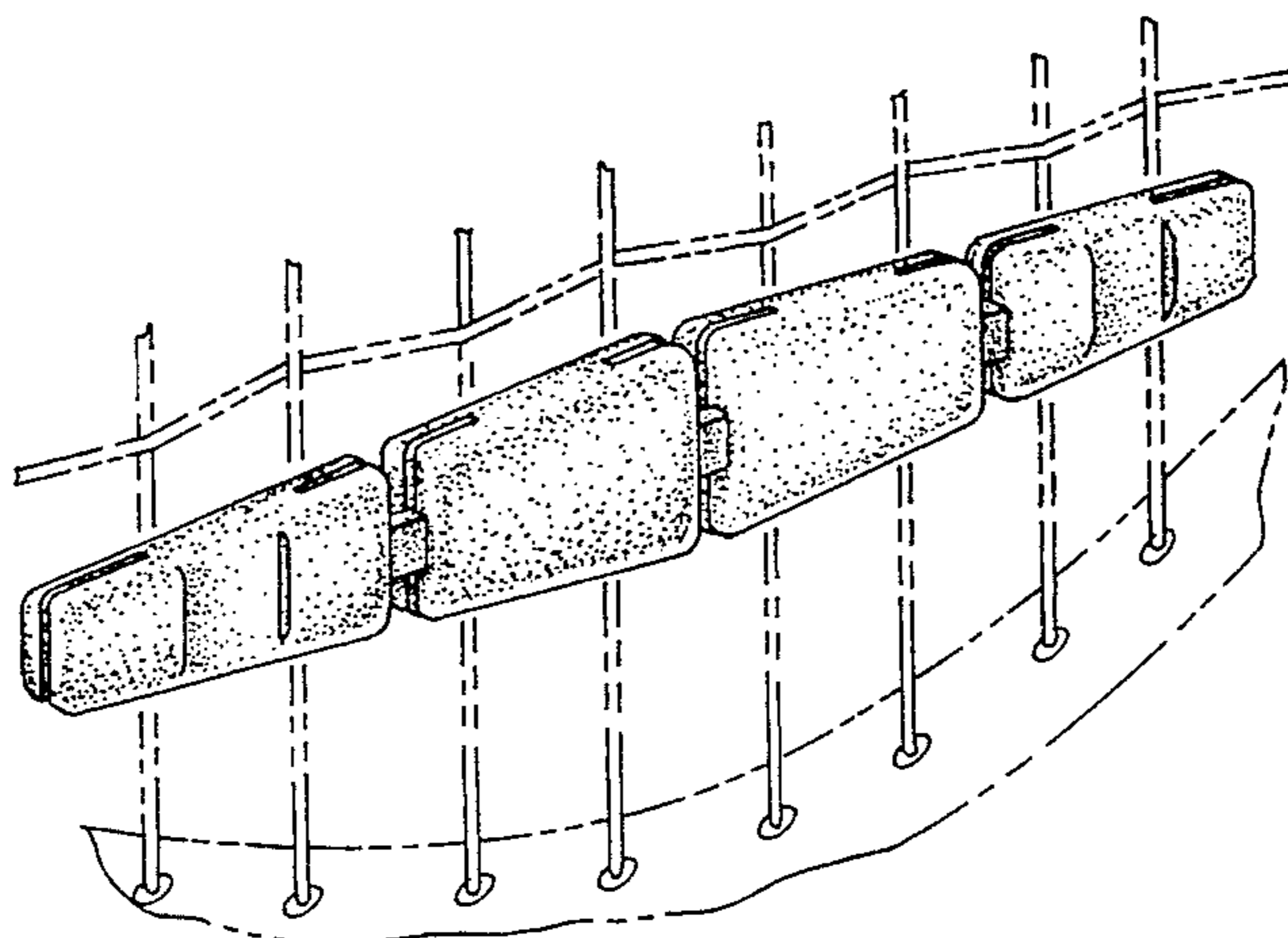
Primary Examiner—Ted Shooman
Assistant Examiner—Mitchell I. Siegel

[57] CLAIM

The ornamental design for a vibration dampener for a game racquet, as shown and described.

DESCRIPTION

FIG. 1 is a perspective view of a vibration dampener for a



game racket showing our new design, the broken line showing of a fragmented racket is for illustrative purposes only and forms no part of the claimed design;

FIG. 2 is a view of one end of the vibration dampener for a game racquet, the other end view being a mirror image thereof;

FIG. 3 is a top plan view of the vibration dampener for a game racquet;

FIG. 4 is a front elevational view of the vibration dampener for a game racquet;

FIG. 5 is a bottom plan view of the vibration dampener for a game racquet; and,

FIG. 6 is a rear elevational view of the vibration dampener for a game racquet.

1 Claim, 1 Drawing Sheet

Fig. 1

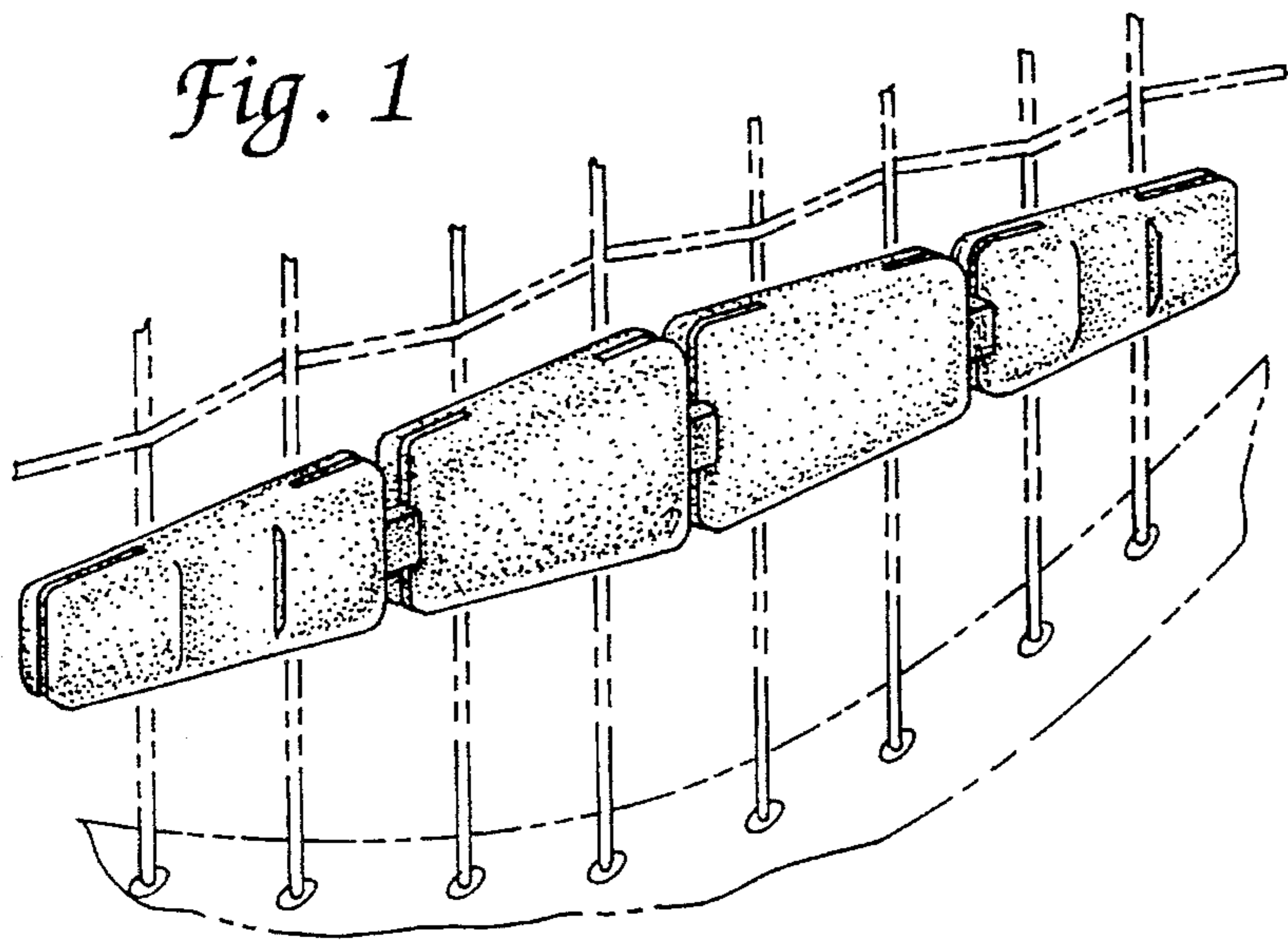


Fig. 2

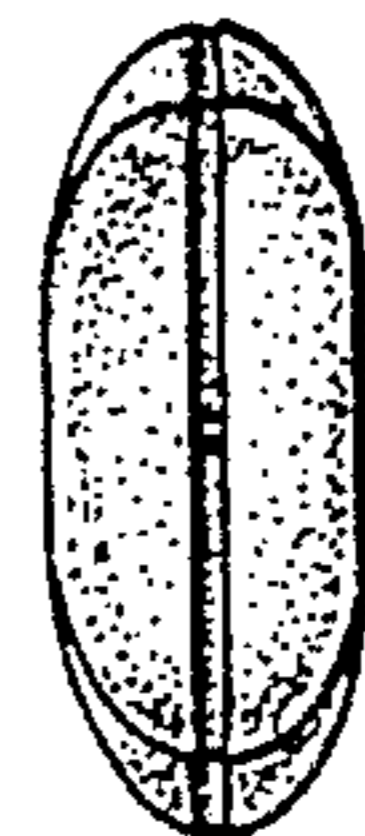


Fig. 3

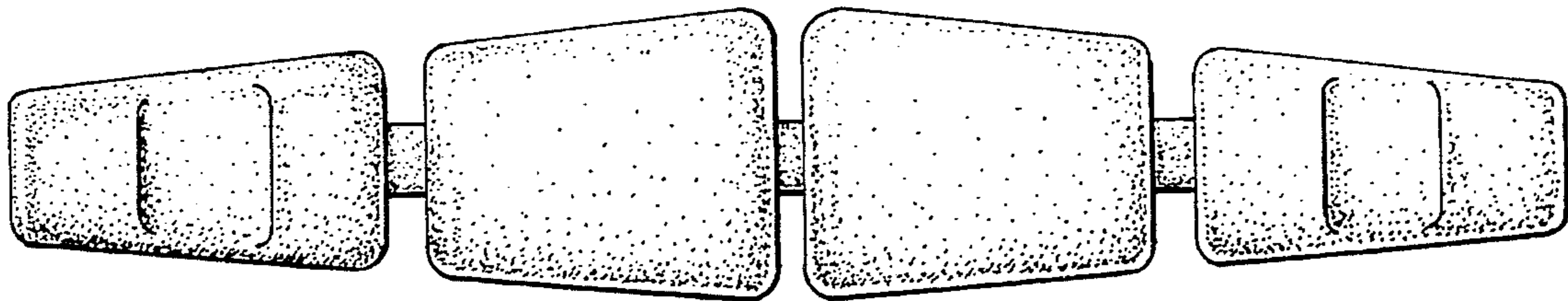
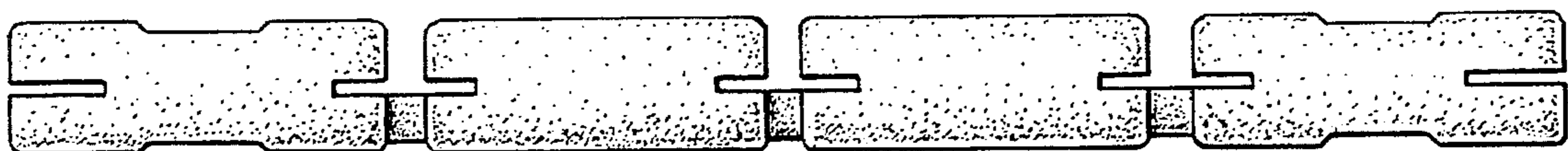


Fig. 4

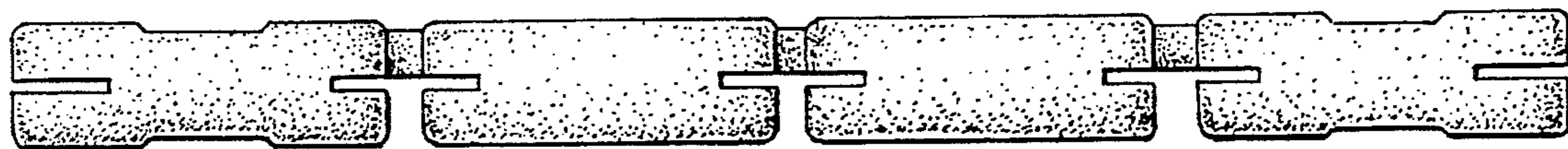


Fig. 5

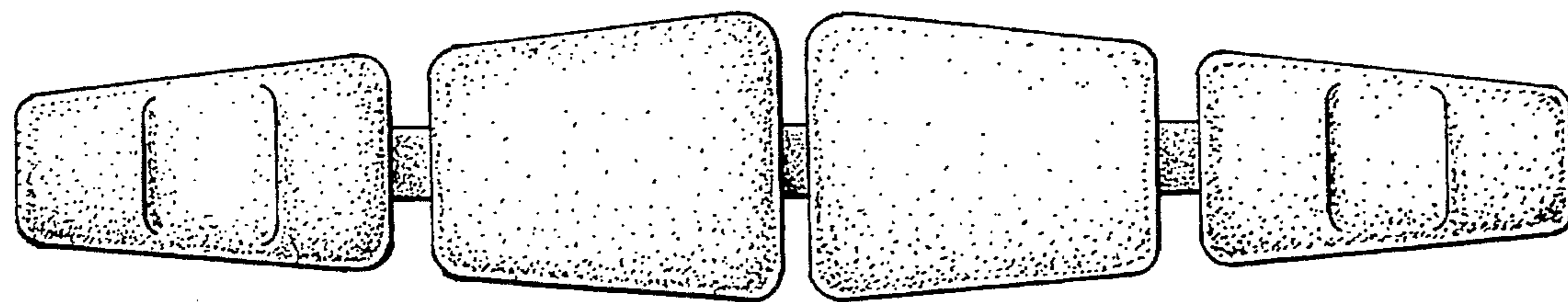


Fig. 6