



US00D368748S

United States Patent [19]
Kellersohn

[11] **Patent Number:** **Des. 368,748**
[45] **Date of Patent:** ****Apr. 9, 1996**

[54] **GOLF TEE PLACEMENT SETTER**
[76] Inventor: **Rudolph F. Kellersohn**, 15389
Collinson, Eastpointe, Mich. 48021
[**] Term: **14 Years**

4,969,646 11/1990 Tobias .
5,165,744 11/1992 Vogrin .
5,205,598 4/1993 Miller .
5,232,256 8/1993 Forbes 294/19.1
5,310,177 5/1994 Conrad et al. 273/32.5

[21] Appl. No.: **26,326**
[22] Filed: **Jul. 25, 1994**
[52] U.S. Cl. **D21/208**
[58] Field of Search D21/208, 234,
D21/108; 273/32.5, 33, 32 A, 32 B, 32 F,
162 C, 162 D, 162 E, 162 F, 202-212;
248/545; 294/19.1, 19.2, 24

Primary Examiner—Ted Shooman
Assistant Examiner—Cheri Cohen
Attorney, Agent, or Firm—Terry M. Gernstein

[57] **CLAIM**

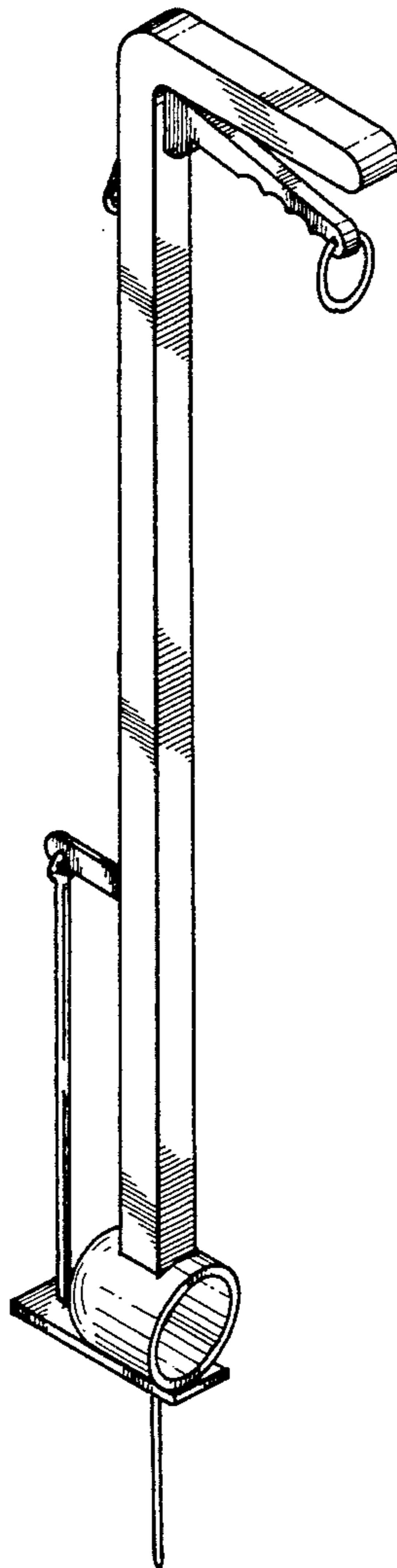
The ornamental design for a golf tee placement setter, as shown and described.

DESCRIPTION

FIG. 1 is a front, top and side perspective view of the golf tee placement setter showing my new design; FIG. 2 is a front elevational view thereof; FIG. 3 is a rear elevational view thereof; FIG. 4 is a side elevational view thereof, the side opposite being a mirror image of the side shown in FIG. 4; FIG. 5 is a top plan view thereof; and, FIG. 6 is a bottom plan view thereof.

[56] **References Cited**
U.S. PATENT DOCUMENTS
2,609,198 9/1952 Armstrong 273/32.5
3,889,946 6/1975 Setecka .
4,526,369 7/1985 Phelps 273/32 B
4,616,826 10/1986 Trefts .
4,714,250 12/1987 Henthorn .
4,819,938 4/1989 Hill 273/32.5
4,949,961 8/1990 Milano .

1 Claim, 3 Drawing Sheets



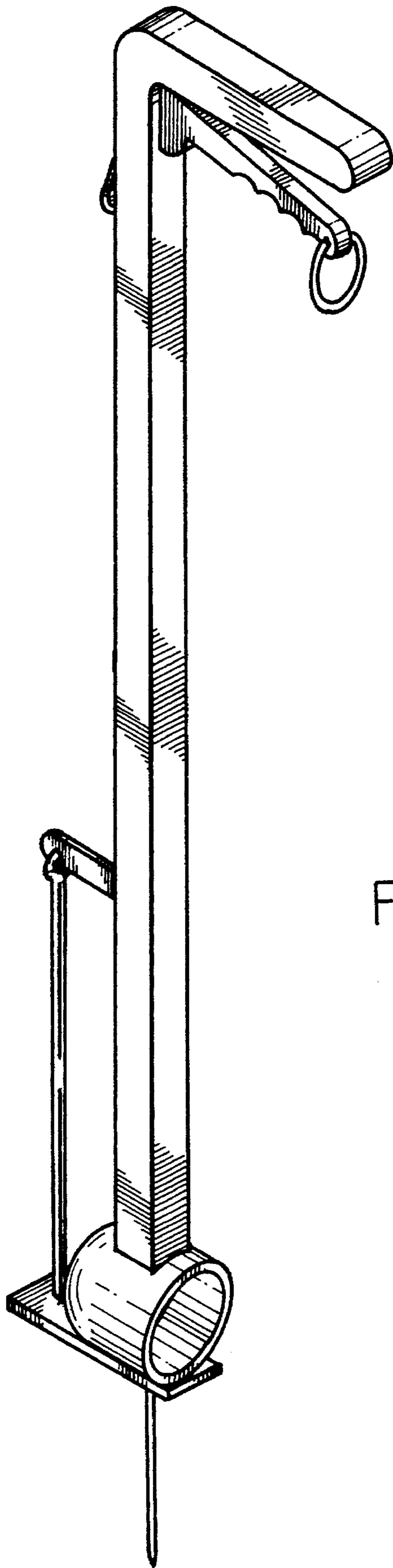


FIG. 1.

FIG. 2.

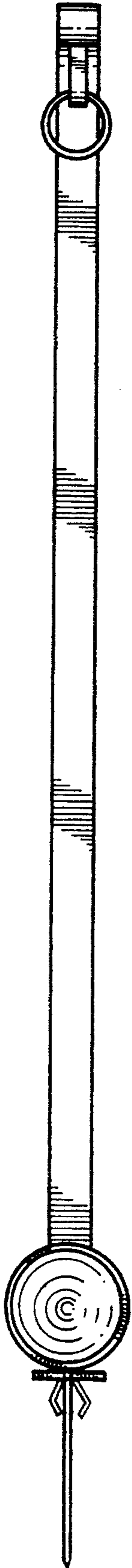


FIG. 3.

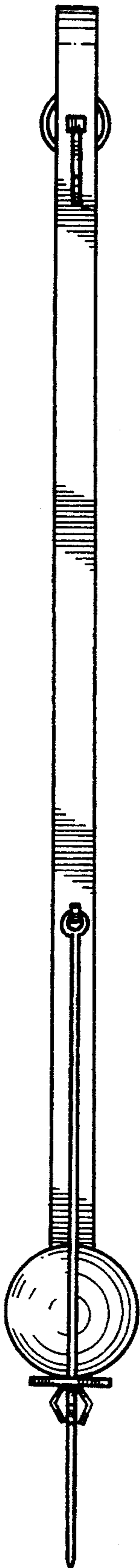


FIG. 4.

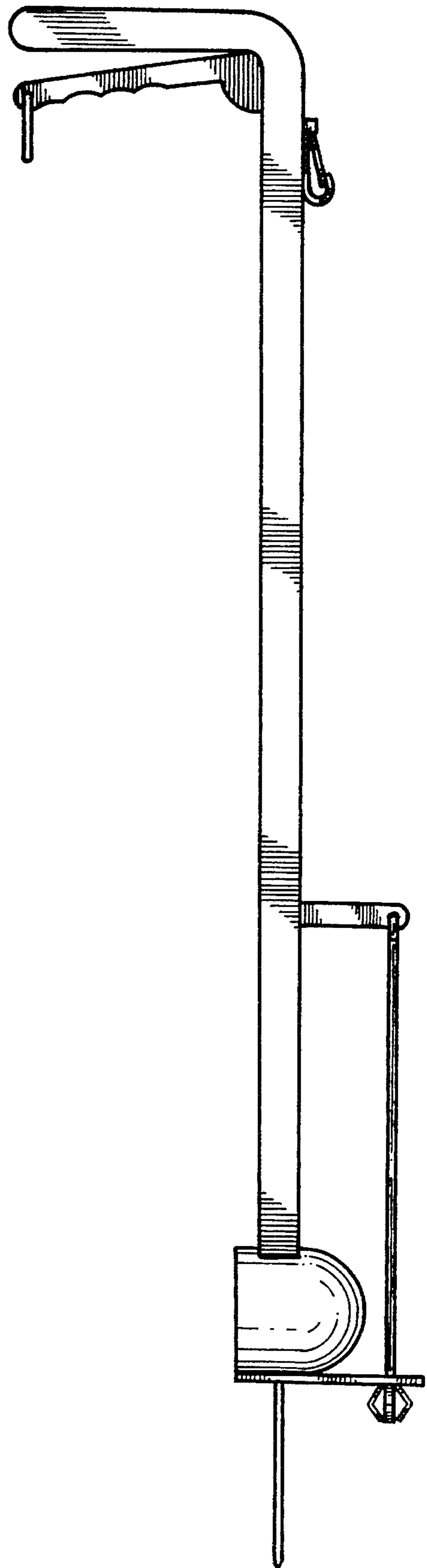


FIG. 5.

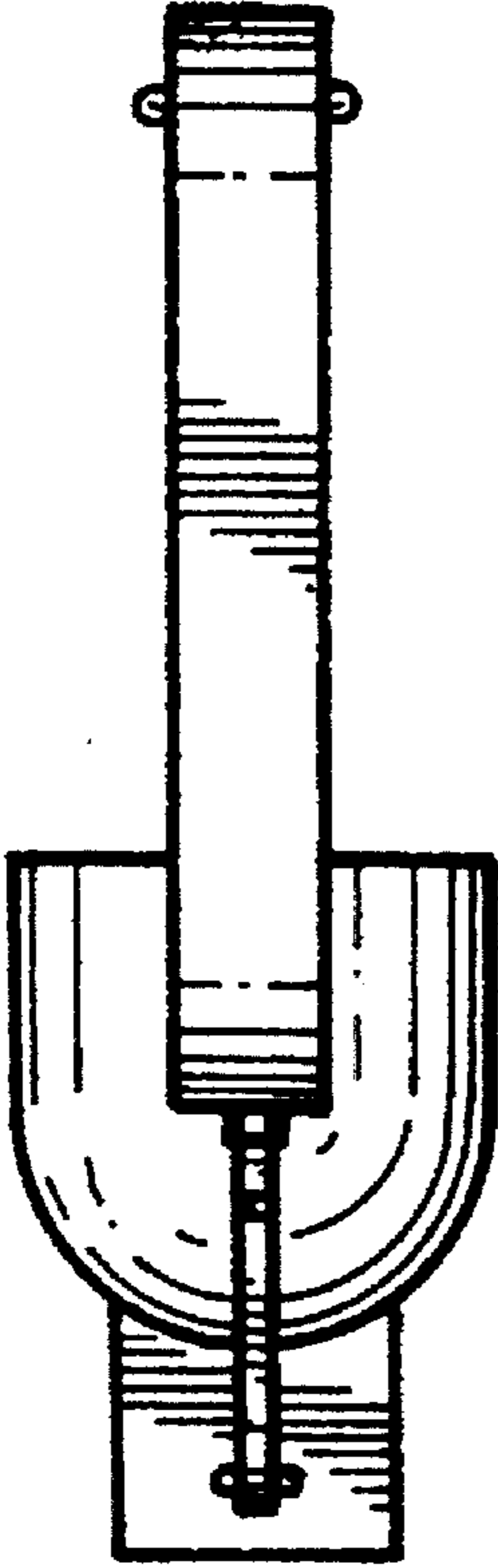


FIG. 6.

