



US00D368747S

United States Patent [19] Gifford

[11] Patent Number: **Des. 368,747**
[45] Date of Patent: ****Apr. 9, 1996**

[54] **PHYSICAL EXERCISE STAND**
[75] Inventor: **Todd R. Gifford**, Tualatin, Oreg.
[73] Assignee: **Back 9, Inc.**, Tualatin, Oreg.
[**] Term: **14 Years**

4,487,413 12/1984 Fall 482/23
4,647,039 3/1987 Noffsinger 482/91
4,838,250 6/1989 Angelo 482/142
4,921,245 5/1990 Roberts 482/23
5,169,362 12/1992 Schwartz 482/96
5,306,220 4/1994 Kearney 482/145
5,407,404 4/1995 Killian et al. 482/123

[21] Appl. No.: **34,402**
[22] Filed: **Feb. 3, 1995**
[52] U.S. Cl. **D21/191**
[58] Field of Search D21/191, 195;
482/38, 123, 142, 95, 96, 907, 143

Primary Examiner—Philip S. Hyder
Attorney, Agent, or Firm—Kolisch Hartwell Dickinson
McCormack & Heuser

[57] CLAIM

The ornamental design for a physical exercise stand, as shown and described.

[56] References Cited

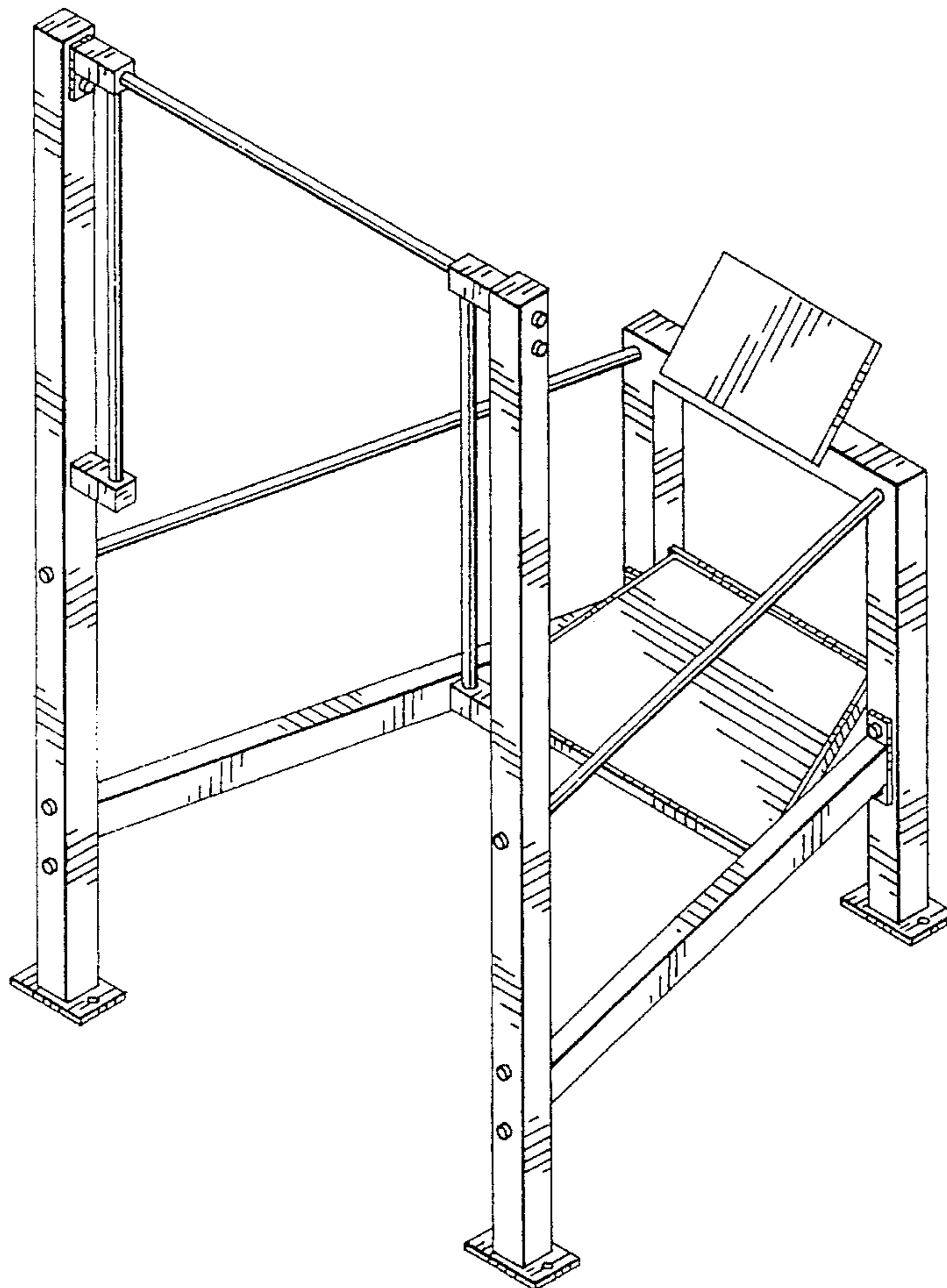
DESCRIPTION

U.S. PATENT DOCUMENTS

D. 199,984	1/1965	Mitchell	482/33
D. 265,575	7/1982	Lunford	D21/191
D. 267,419	12/1982	Komarnicki	D21/191
D. 290,281	6/1987	Ringel et al.	D21/191
D. 324,708	3/1992	Walsh	D21/191
D. 339,835	9/1993	Hsieh	D21/191
3,006,643	10/1961	Ryan	D21/197
3,190,648	6/1965	Kallenbach	482/91
3,397,884	8/1968	Blasi	482/91
3,580,569	5/1971	Wilson	482/23
3,857,561	12/1974	Cecchettini et al.	482/23

FIG. 1 is a top, front, and right-side isometric view of a physical exercise stand showing my new design;
FIG. 2 is a right-side elevational view thereof, the left-side being a mirror image of that shown;
FIG. 3 is a front elevational view thereof;
FIG. 4 is a rear elevational view thereof;
FIG. 5 is a top plan view thereof; and,
FIG. 6 is a bottom plan view thereof.

1 Claim, 3 Drawing Sheets



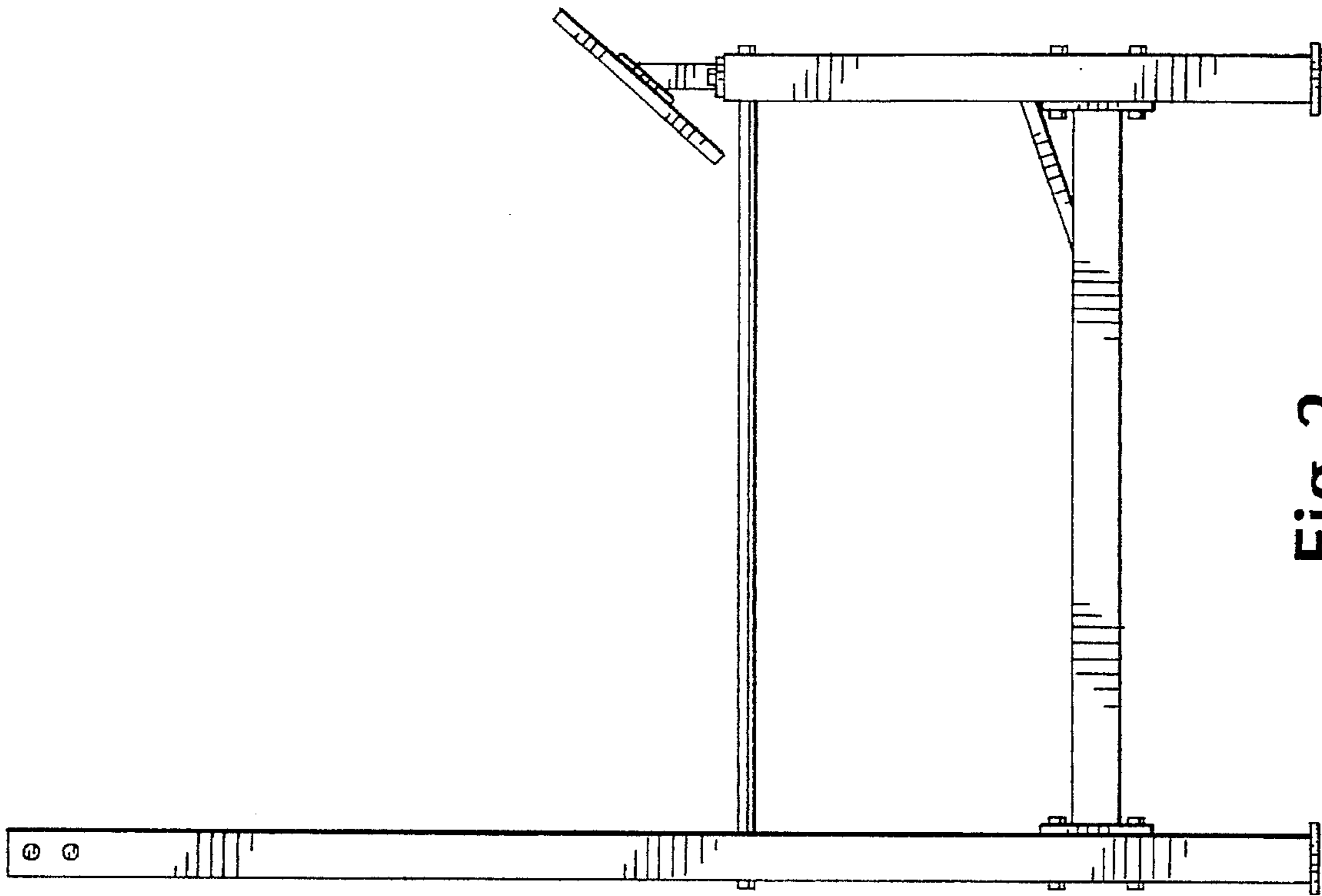


Fig. 2

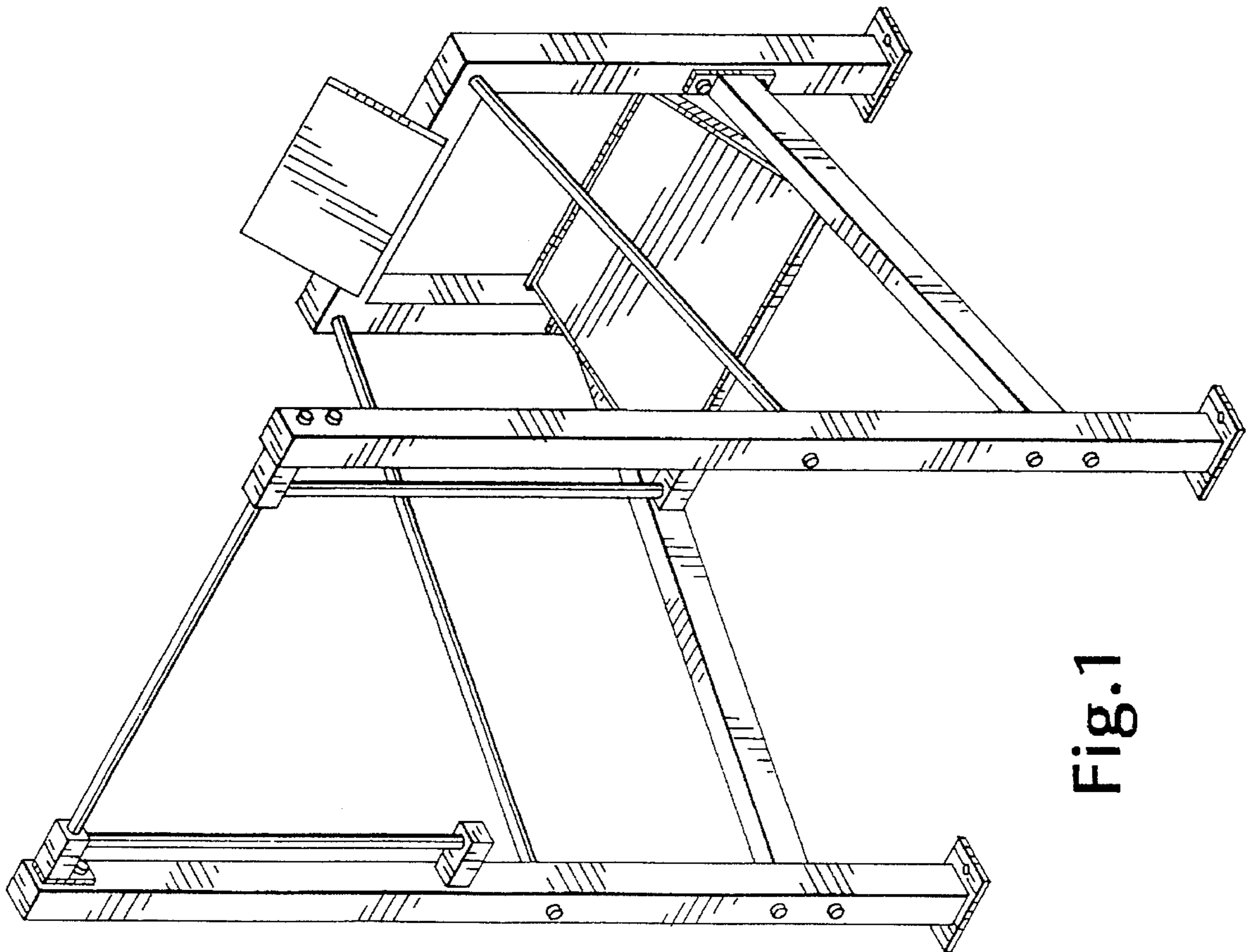


Fig. 1

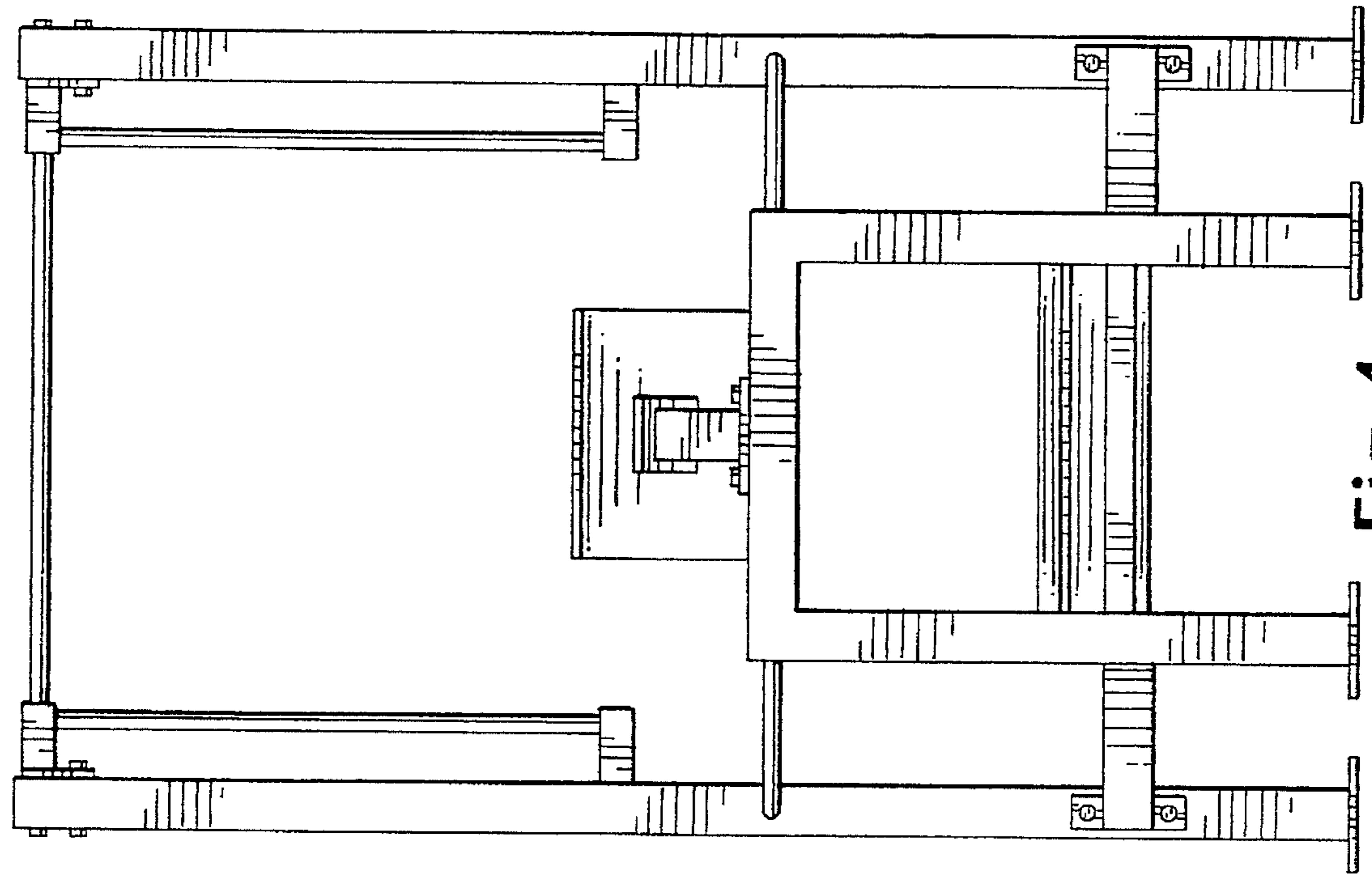


Fig. 4

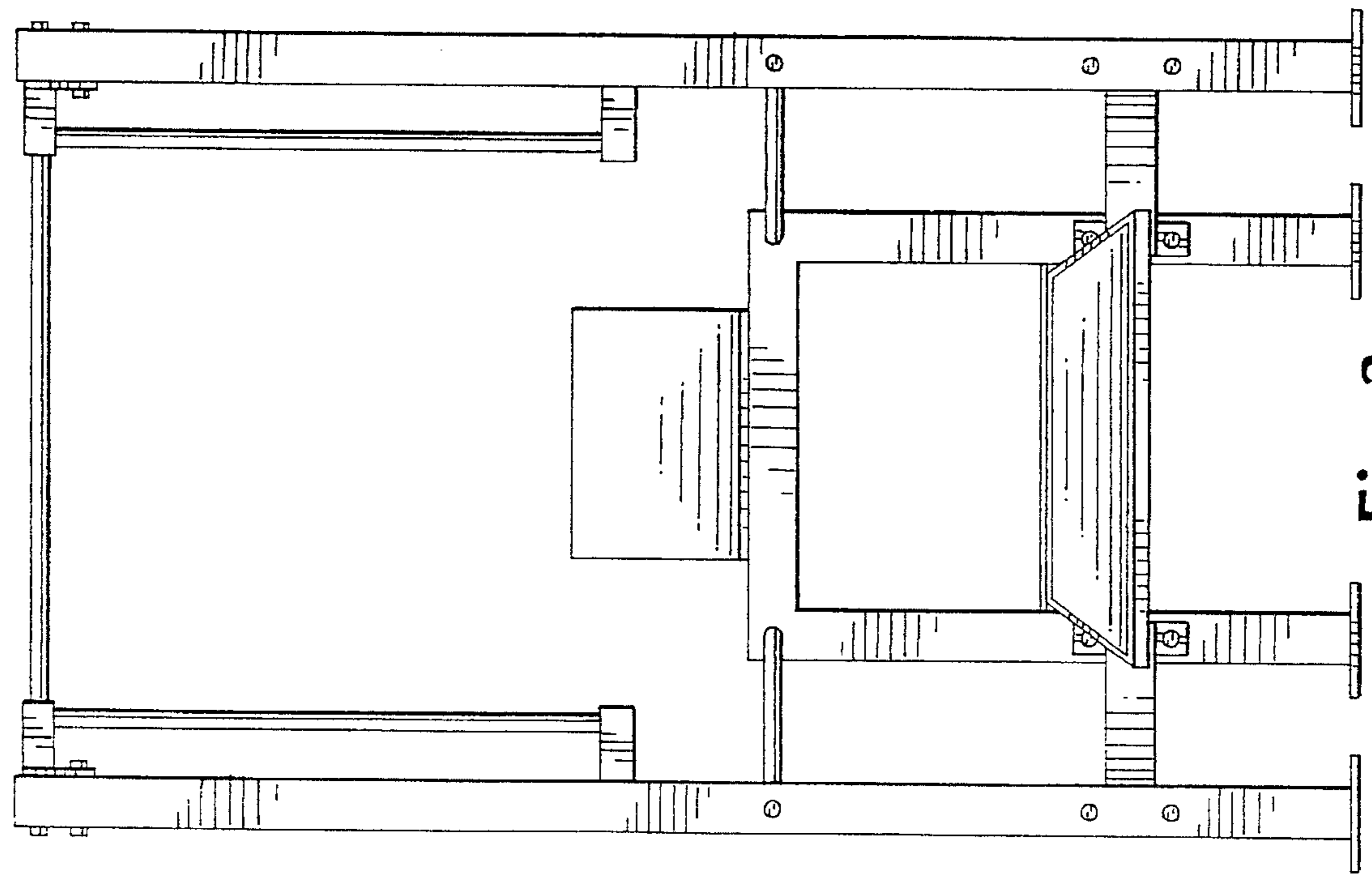


Fig. 3

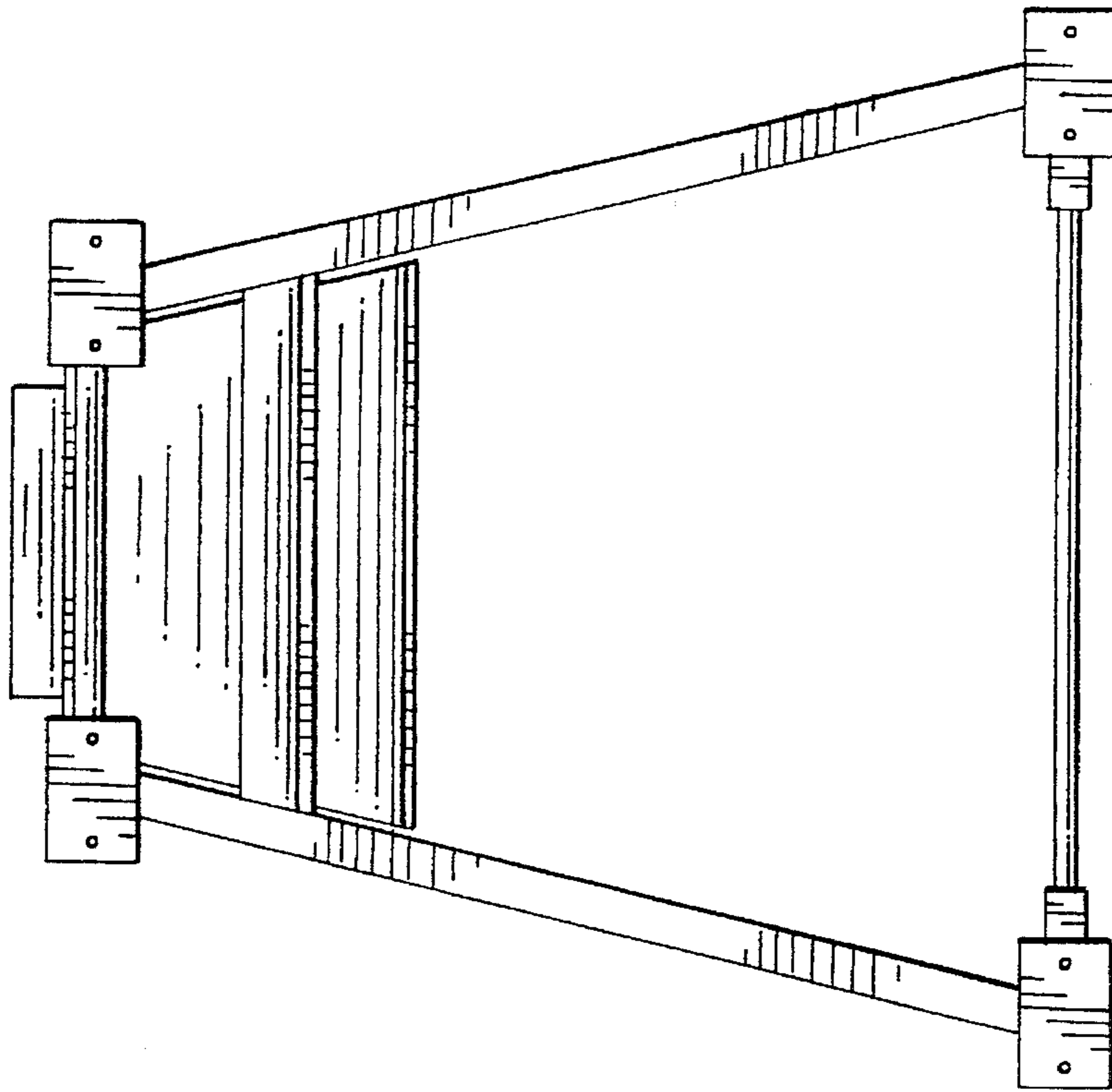


Fig. 6

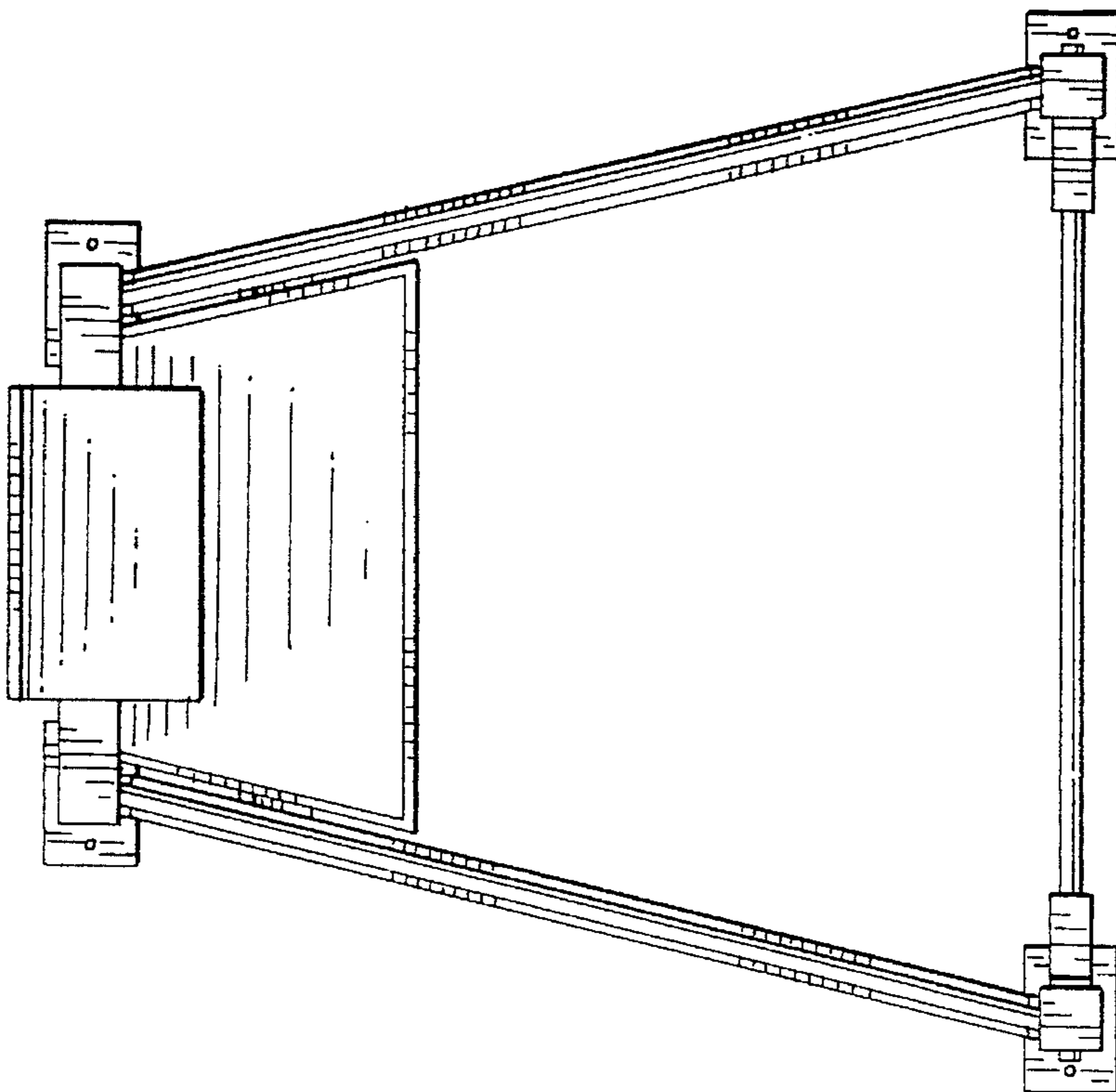


Fig. 5