



US00D368746S

# United States Patent [19]

Chilton et al.

[11] Patent Number: **Des. 368,746**

[45] Date of Patent: **\*\*Apr. 9, 1996**

[54] **TRANSFORMING, WATER SQUIRTING,  
REMOTELY CONTROLLED TOY VEHICLE**

5,102,367 4/1992 Mullaney et al. .... 446/465  
5,334,075 8/1994 Kakizaki et al. .... 446/456

[75] Inventors: **Seth M. Chilton**, Haddonfield; **Michael G. Hetman**, Medford Lakes; **Patrick J. Sannito**, West Deptford, all of N.J.

*Primary Examiner*—Ted Shooman  
*Assistant Examiner*—R. Barkai  
*Attorney, Agent, or Firm*—Panitch Schwarze Jacobs & Nadel

[73] Assignee: **Tyco Industries, Inc.**, Mount Laurel, N.J.

[\*\*] Term: **14 Years**

## [57] CLAIM

The ornamental design for a transforming, water squirting, remotely controlled toy vehicle, as shown and described.

[21] Appl. No.: **15,534**

## DESCRIPTION

[22] Filed: **Nov. 19, 1993**

[52] U.S. Cl. .... **D21/137**

[58] **Field of Search** ..... D21/71-79, 128,  
D21/132-137, 141; 446/437, 428, 456,  
465, 470; 280/1.13, 8.28, 87.021

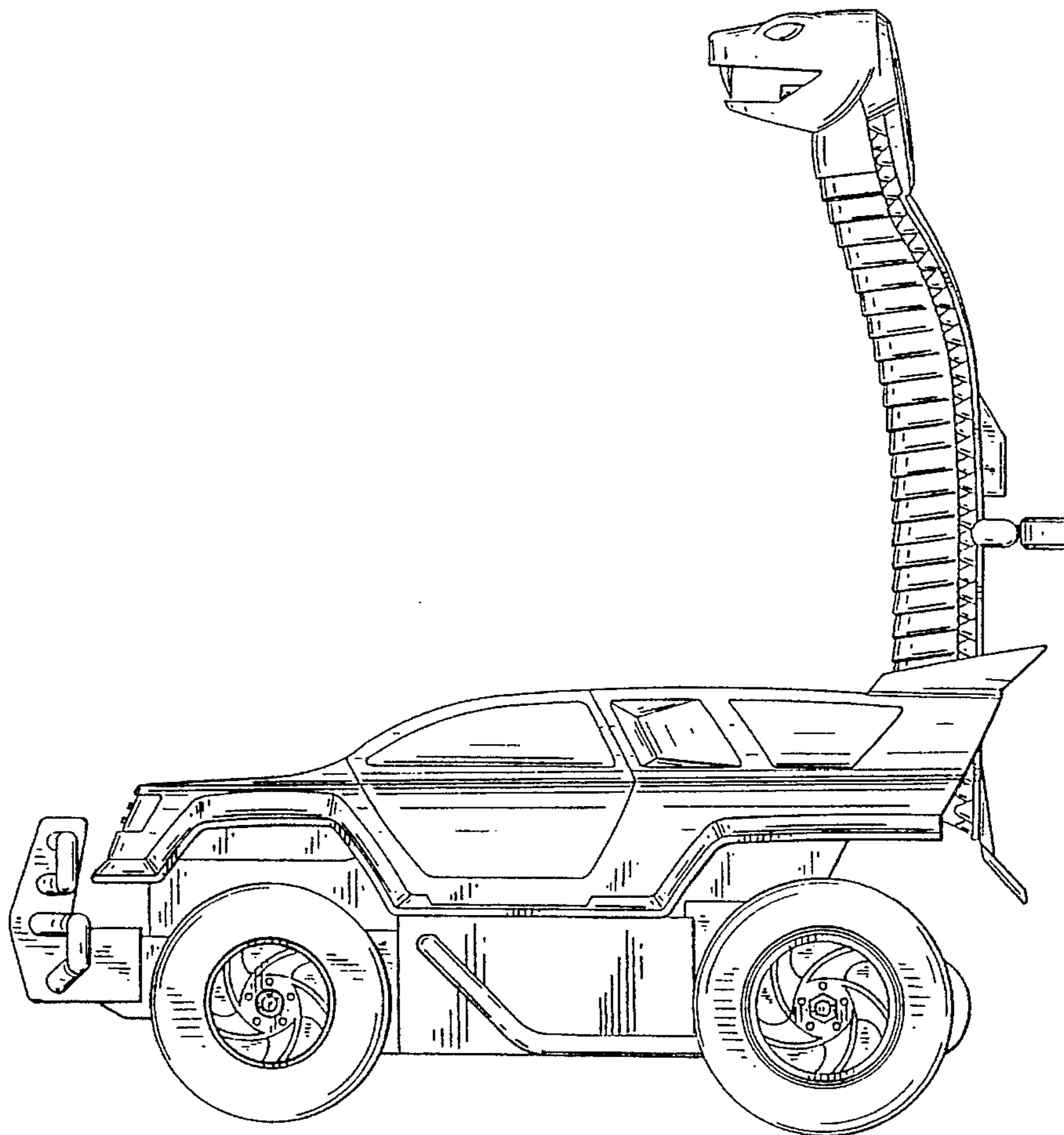
FIG. 1 is a front elevation view of a transforming, water squirting, remotely controlled toy vehicle showing our new design before transformation;  
FIG. 2 is a left side elevational view thereof, the right side elevational view being a mirror image thereof;  
FIG. 3 is a rear elevational view thereof;  
FIG. 4 is a top plan view thereof;  
FIG. 5 is a bottom plan view thereof;  
FIG. 6 is a front elevational view thereof after transformation; and,  
FIG. 7 is a left side elevational view thereof after transformation, the right side elevational view being a mirror image thereof.

## [56] References Cited

### U.S. PATENT DOCUMENTS

D. 238,800	2/1976	Goldfarb	.....	D21/134
D. 279,806	7/1985	Stern et al.	.....	D21/128
D. 281,000	10/1985	Kuna et al.	.....	D21/134
D. 282,188	1/1986	Terui	.....	D21/128
D. 297,035	8/1988	Yoke	.....	D21/134
4,666,420	5/1987	Nagano	.....	446/456

**1 Claim, 6 Drawing Sheets**



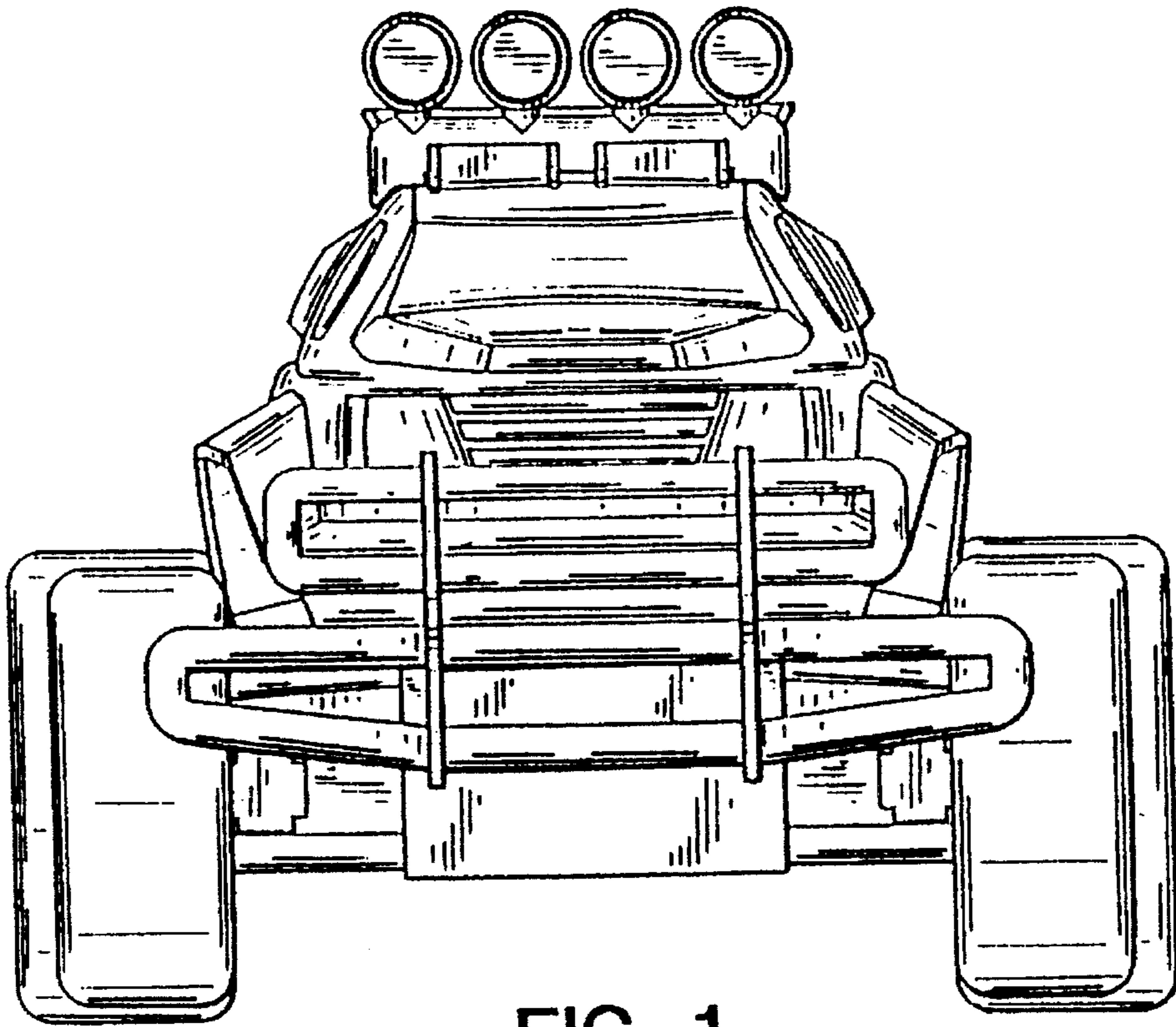


FIG. 1

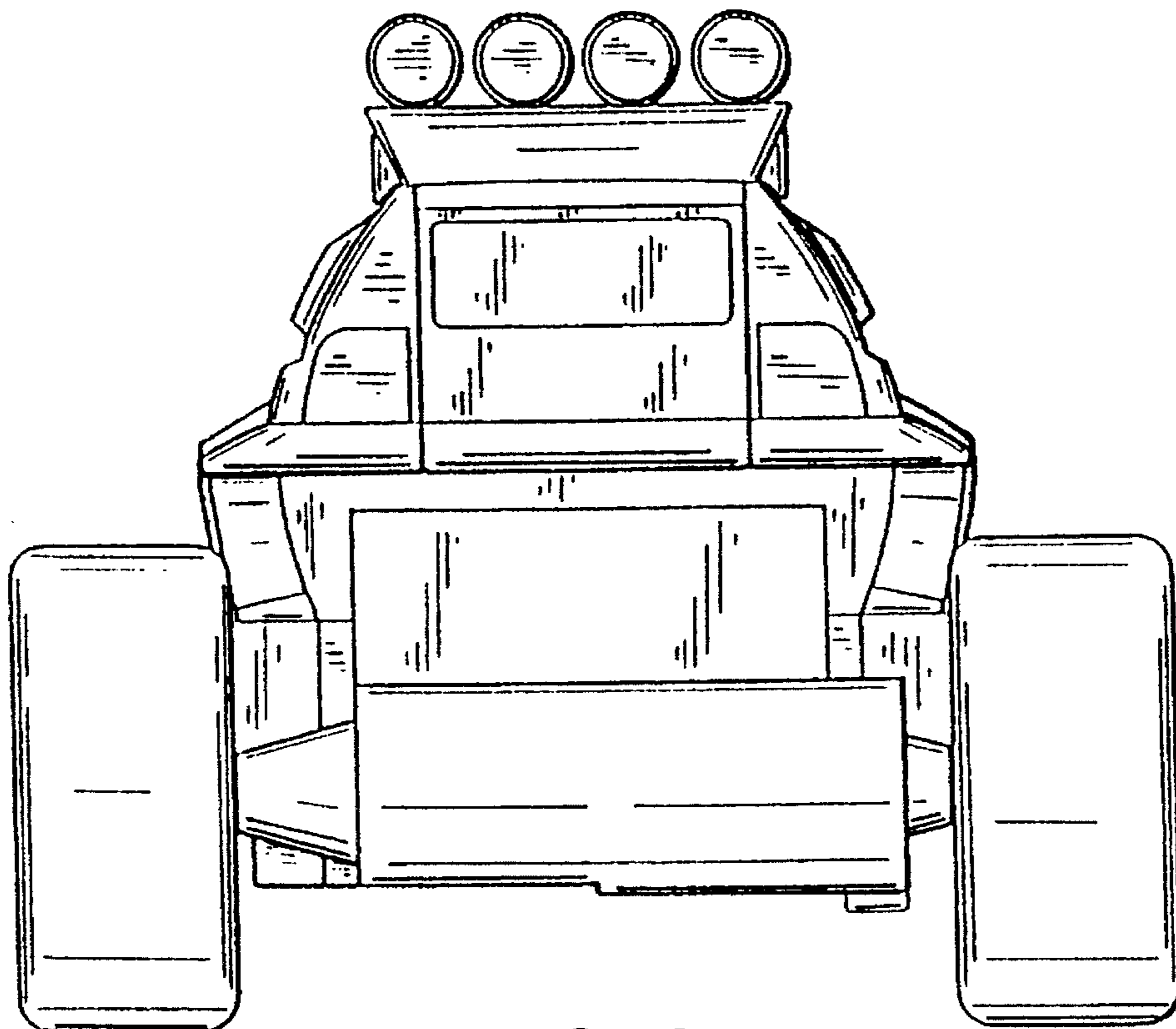


FIG. 3

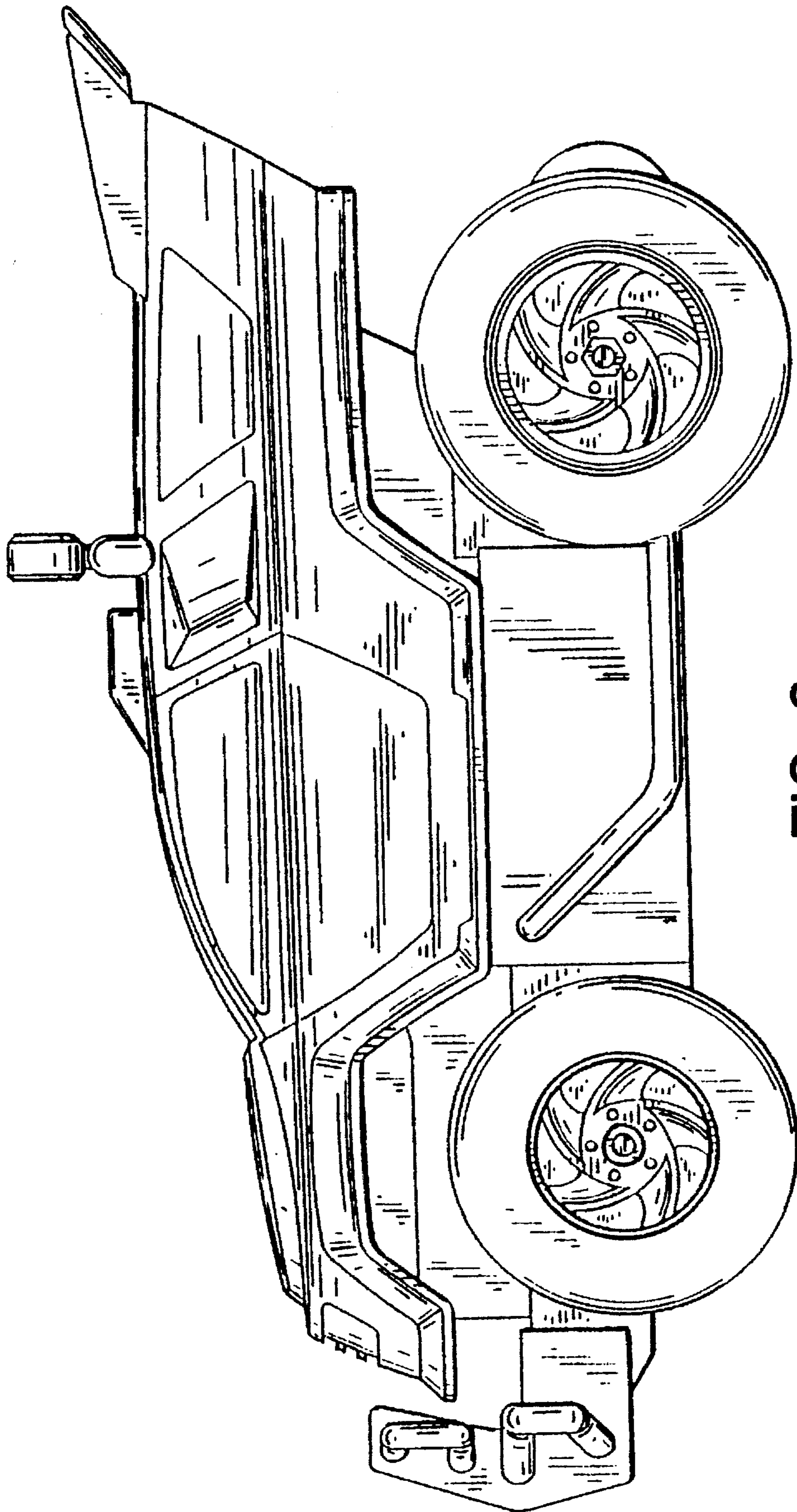


FIG. 2

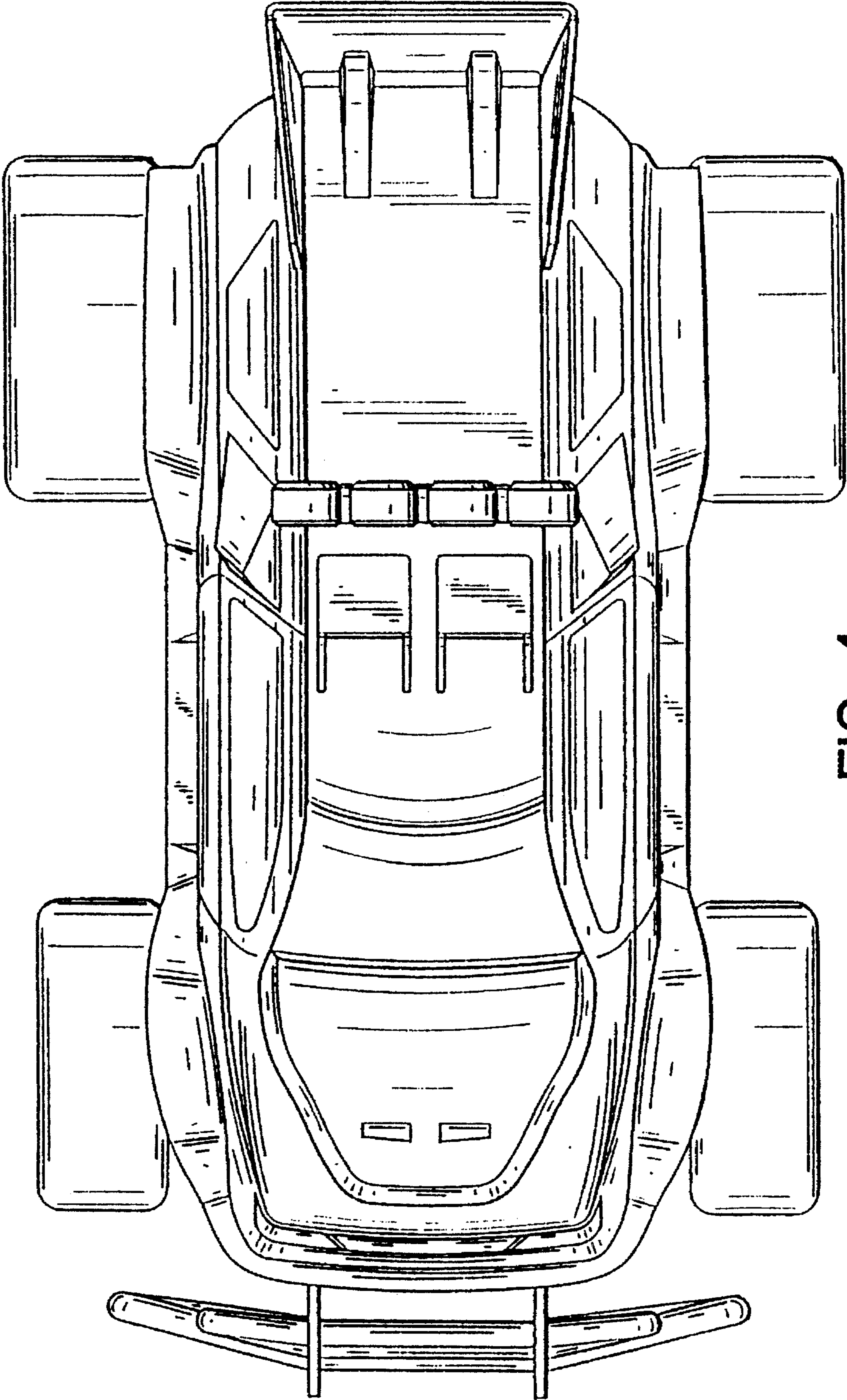


FIG. 4

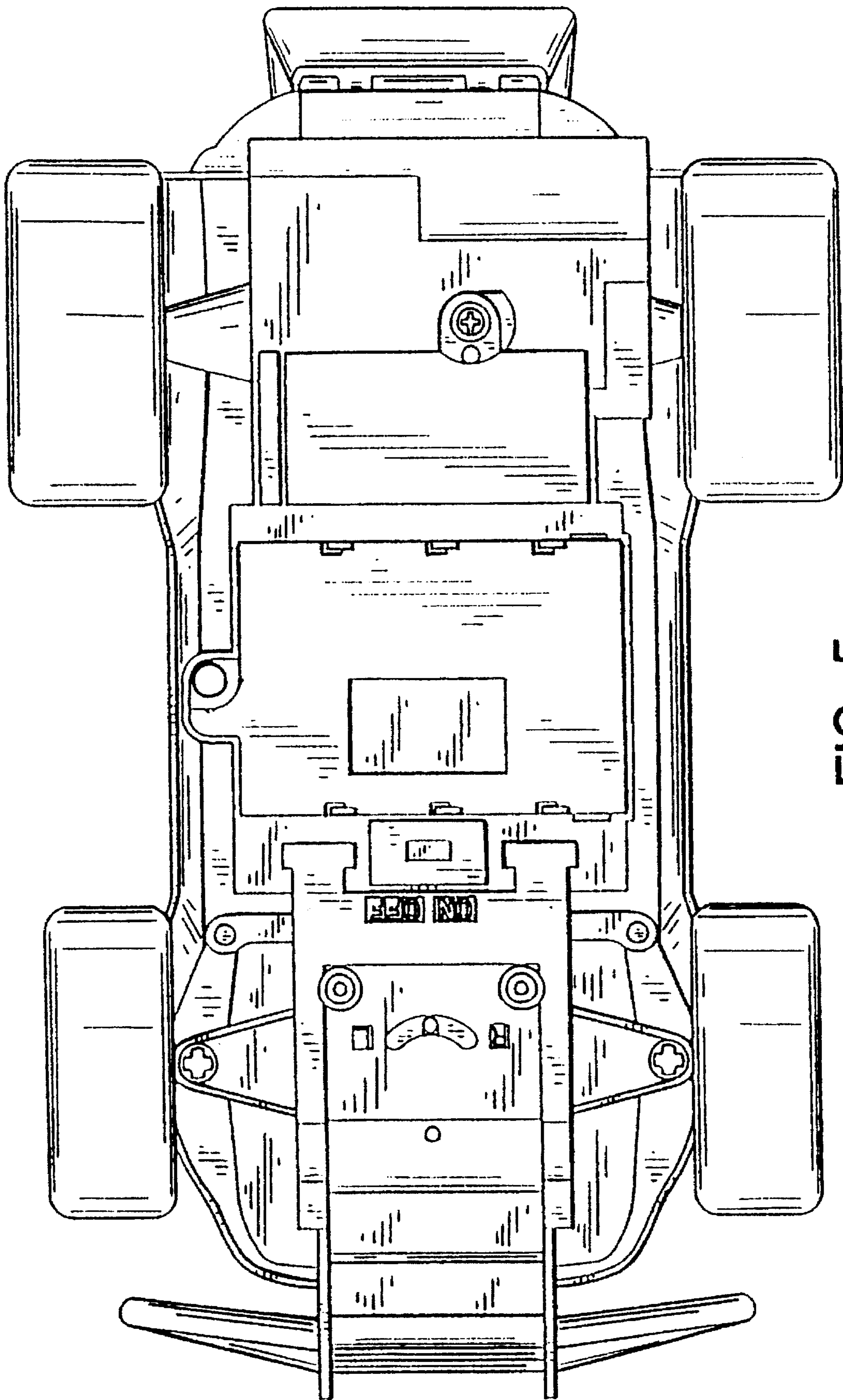


FIG. 5

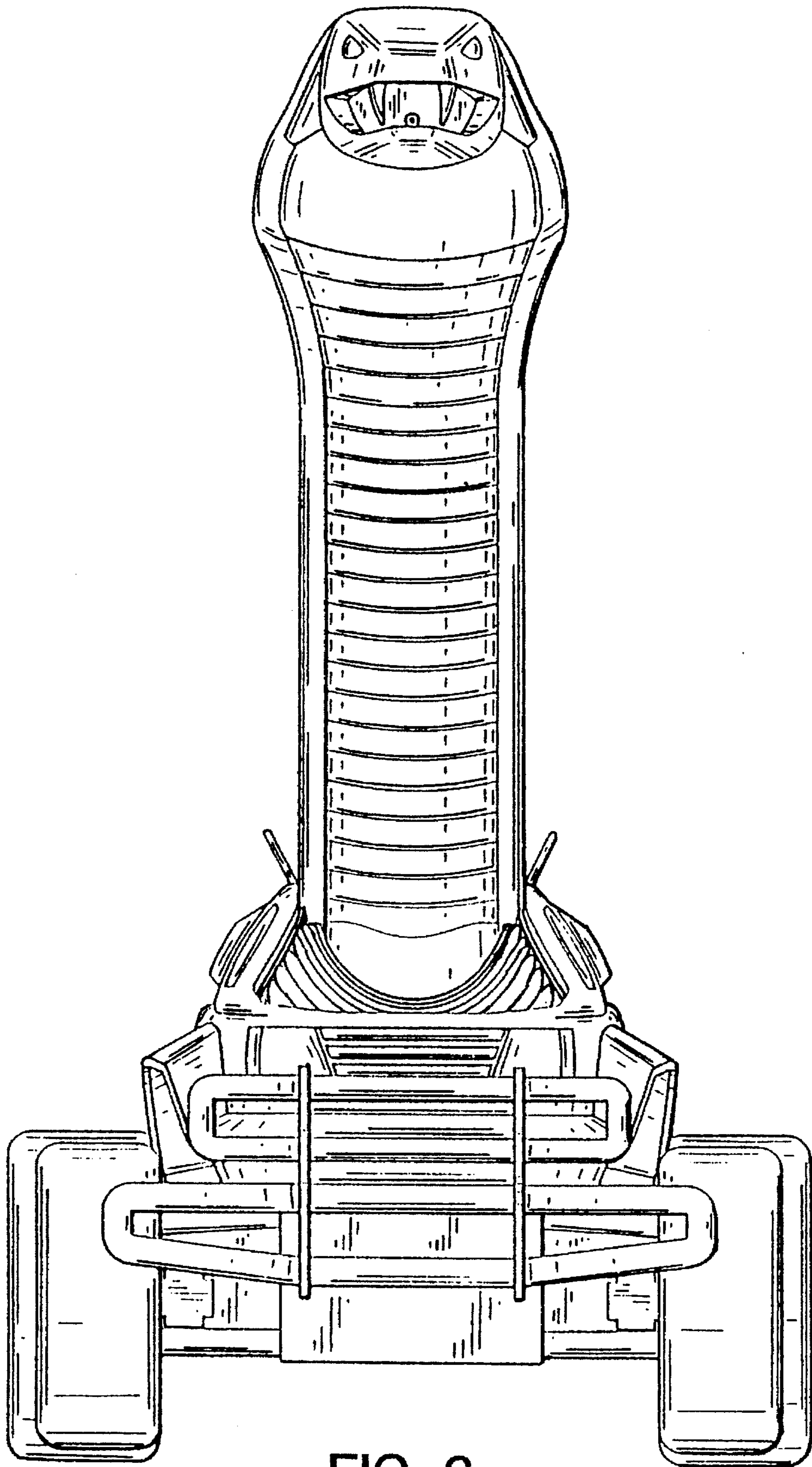


FIG. 6

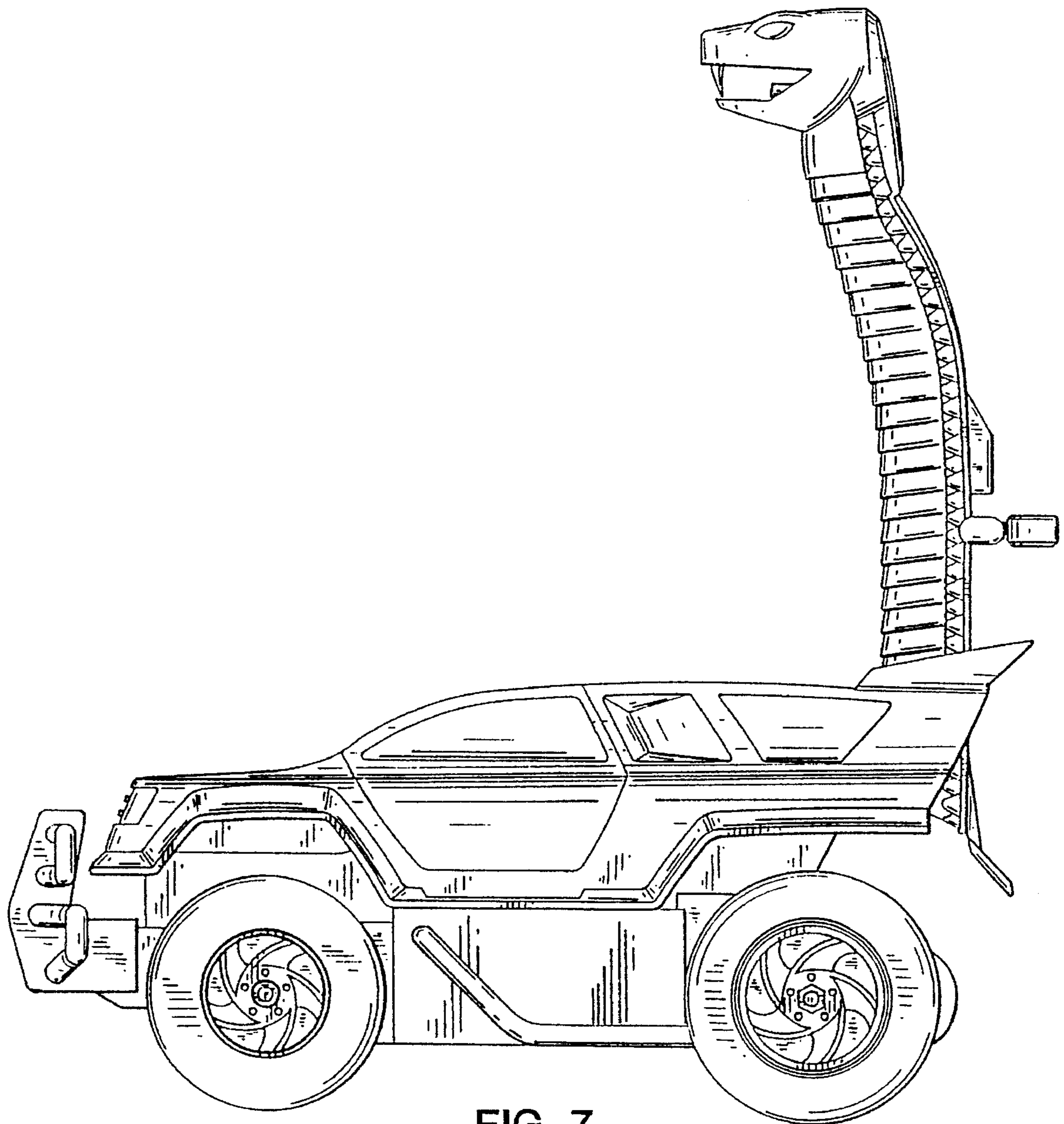


FIG. 7