



US00D368745S

United States Patent [19] Wong

[11] Patent Number: **Des. 368,745**
[45] Date of Patent: ****Apr. 9, 1996**

[54] **TOY SHIP**

[75] Inventor: **Lap H. Wong**, New Territories, Hong Kong

[73] Assignee: **Tai Cheong Plastic Toys Industrial Ltd.**, Hong Kong, Hong Kong

[**] Term: **14 Years**

[21] Appl. No.: **35,580**

[22] Filed: **Mar. 2, 1995**

[30] Foreign Application Priority Data

Oct. 18, 1994 [GB] United Kingdom 2042652

[52] U.S. Cl. **D21/130**

[58] Field of Search D21/71, 74-81,
D21/129, 130, 132, 134, 135; 446/160,
428, 447, 456, 465, 470; 280/1.13, 828,
87.021, 47.11

[56] References Cited

U.S. PATENT DOCUMENTS

D. 204,287 4/1966 Thompson D21/130

D. 294,054	2/1988	Emms	D21/130
D. 294,510	3/1988	Michaelson et al.	D21/130
D. 310,398	9/1990	Thieser	D21/130
D. 337,136	7/1993	Murdough, Jr. et al.	D21/130
4,846,751	7/1989	Kosoris	446/160
4,894,041	1/1990	Dahlgren	446/160

Primary Examiner—Ted Shooman
Assistant Examiner—R. Barkai
Attorney, Agent, or Firm—Blakely, Sokoloff, Taylor & Zafman

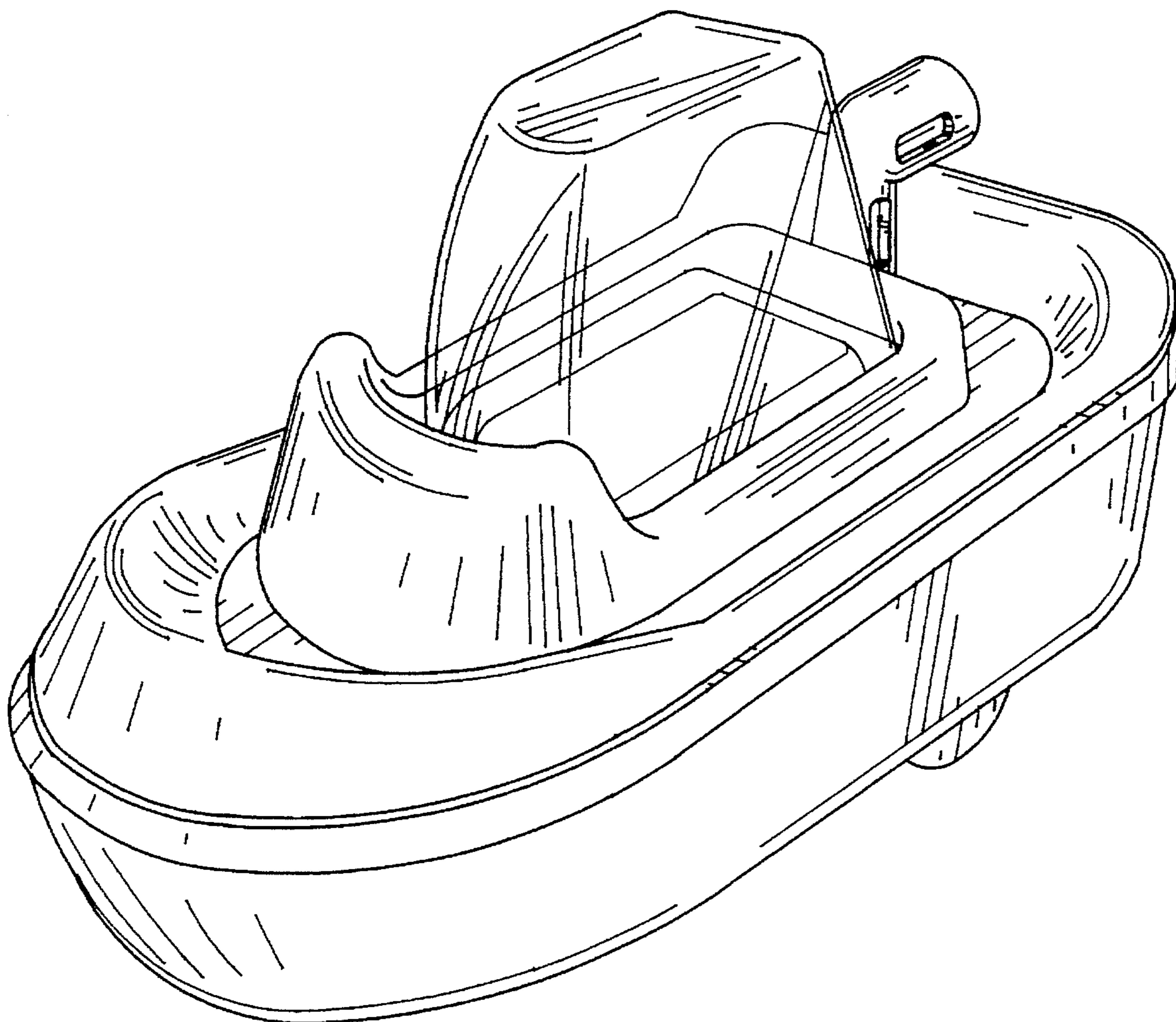
[57] CLAIM

The ornamental design for toy ship, as shown and described.

DESCRIPTION

FIG. 1 is a right side, front perspective view thereof;
FIG. 2 is a left side elevation view thereof;
FIG. 3 is a bottom plan view thereof;
FIG. 4 is a front elevation view thereof;
FIG. 5 is a rear elevation view thereof;
FIG. 6 is a right side elevation view thereof; and,
FIG. 7 is a top plan view thereof.

1 Claim, 4 Drawing Sheets



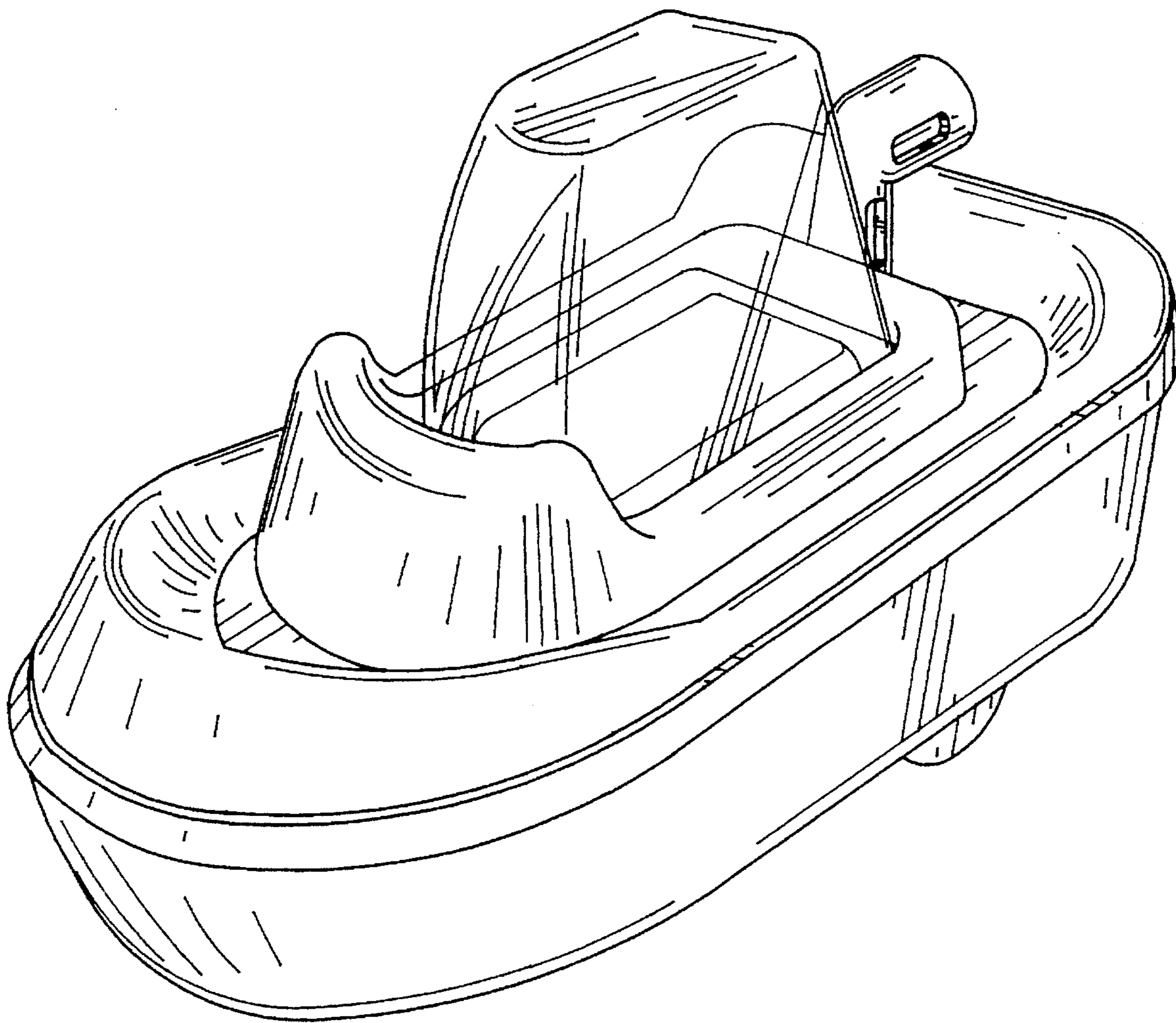


FIG. 1

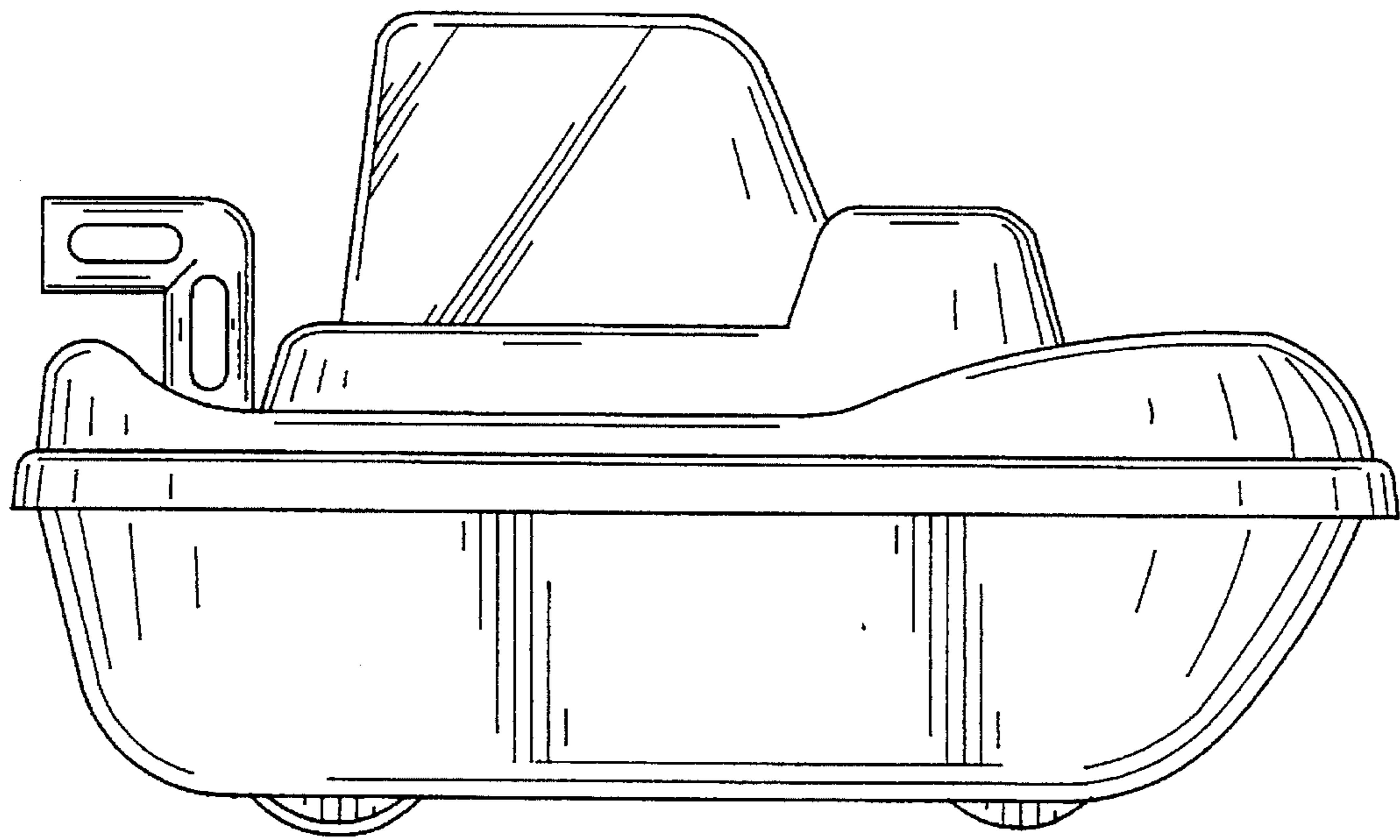


FIG. 2

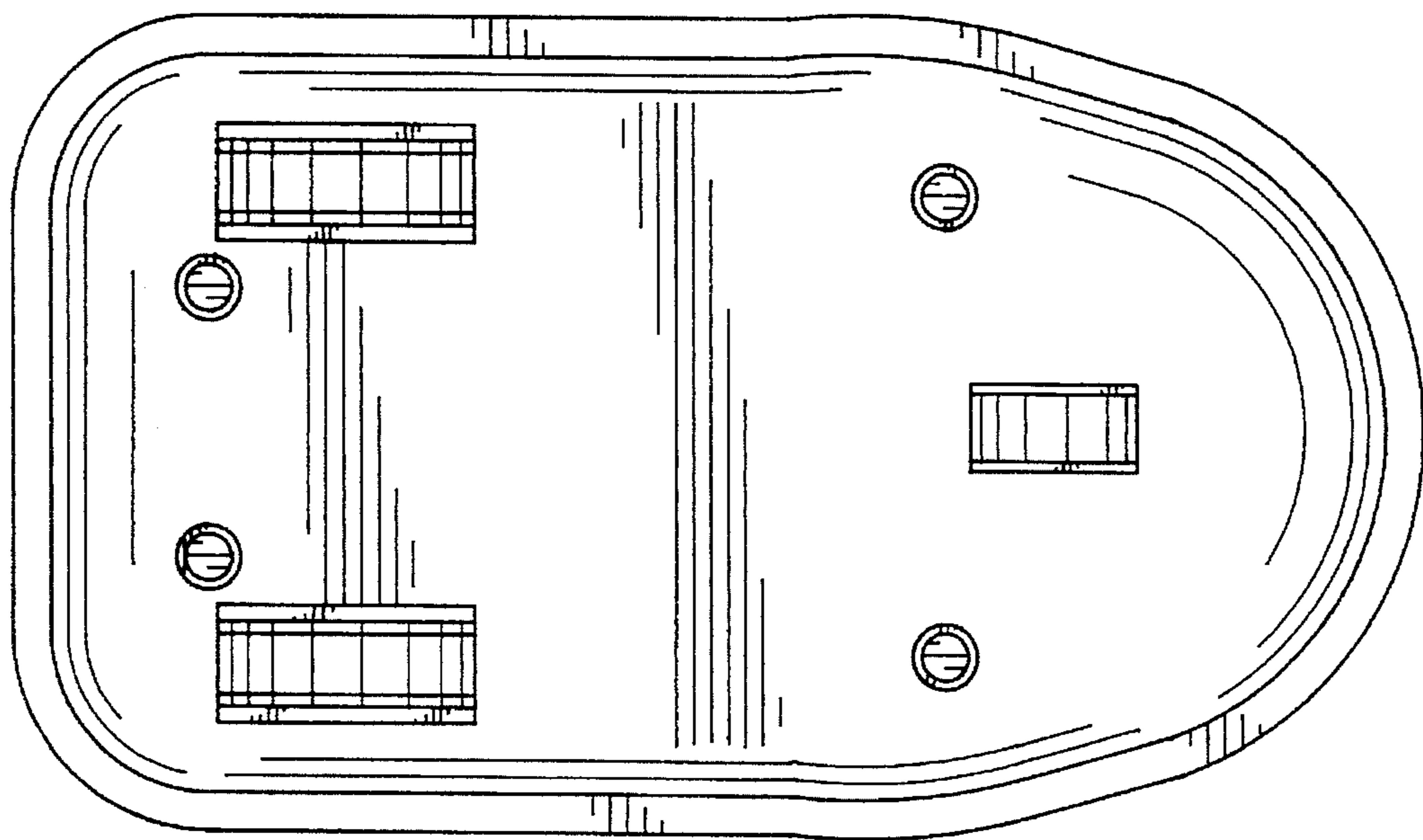


FIG. 3

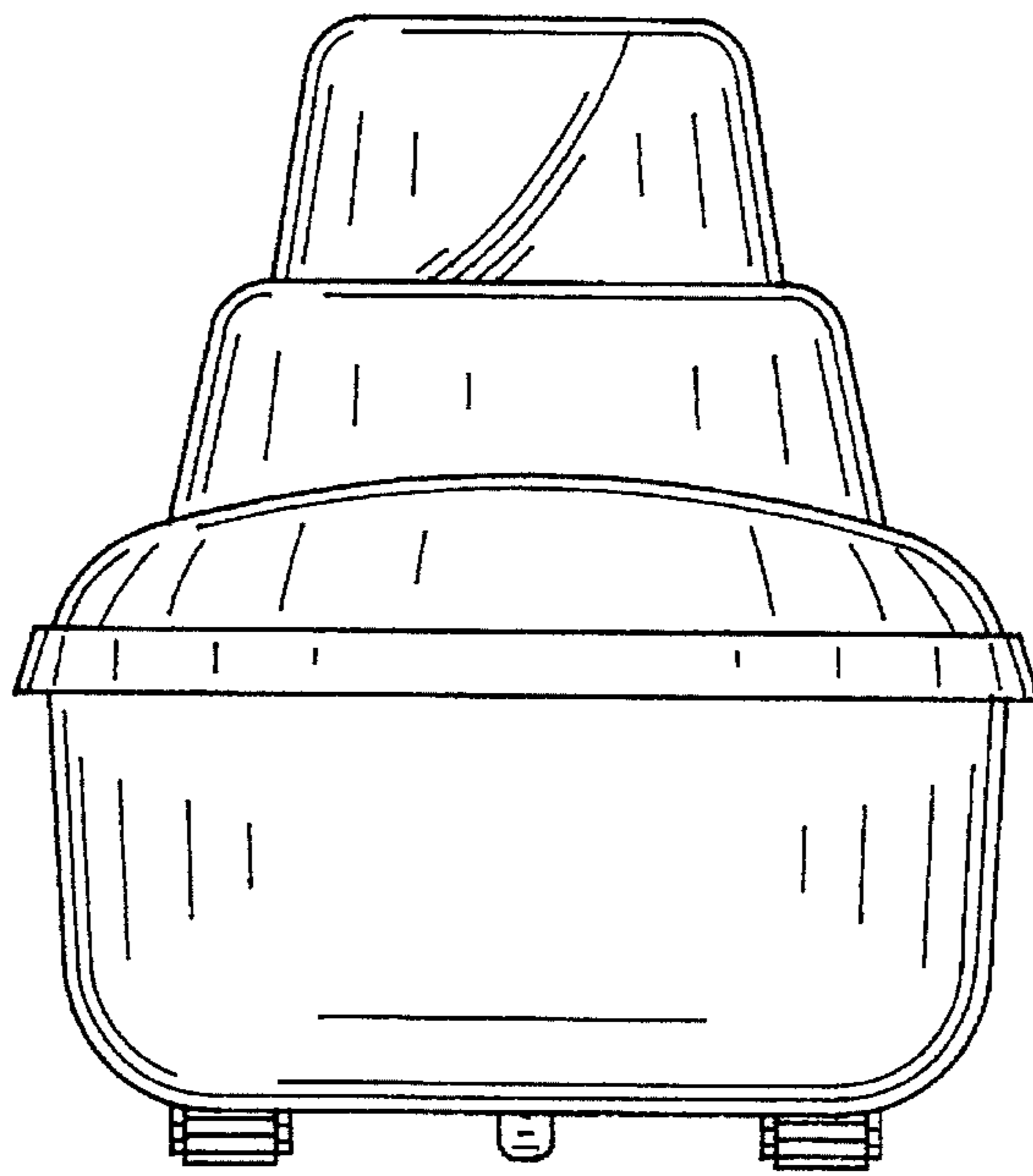


FIG. 4

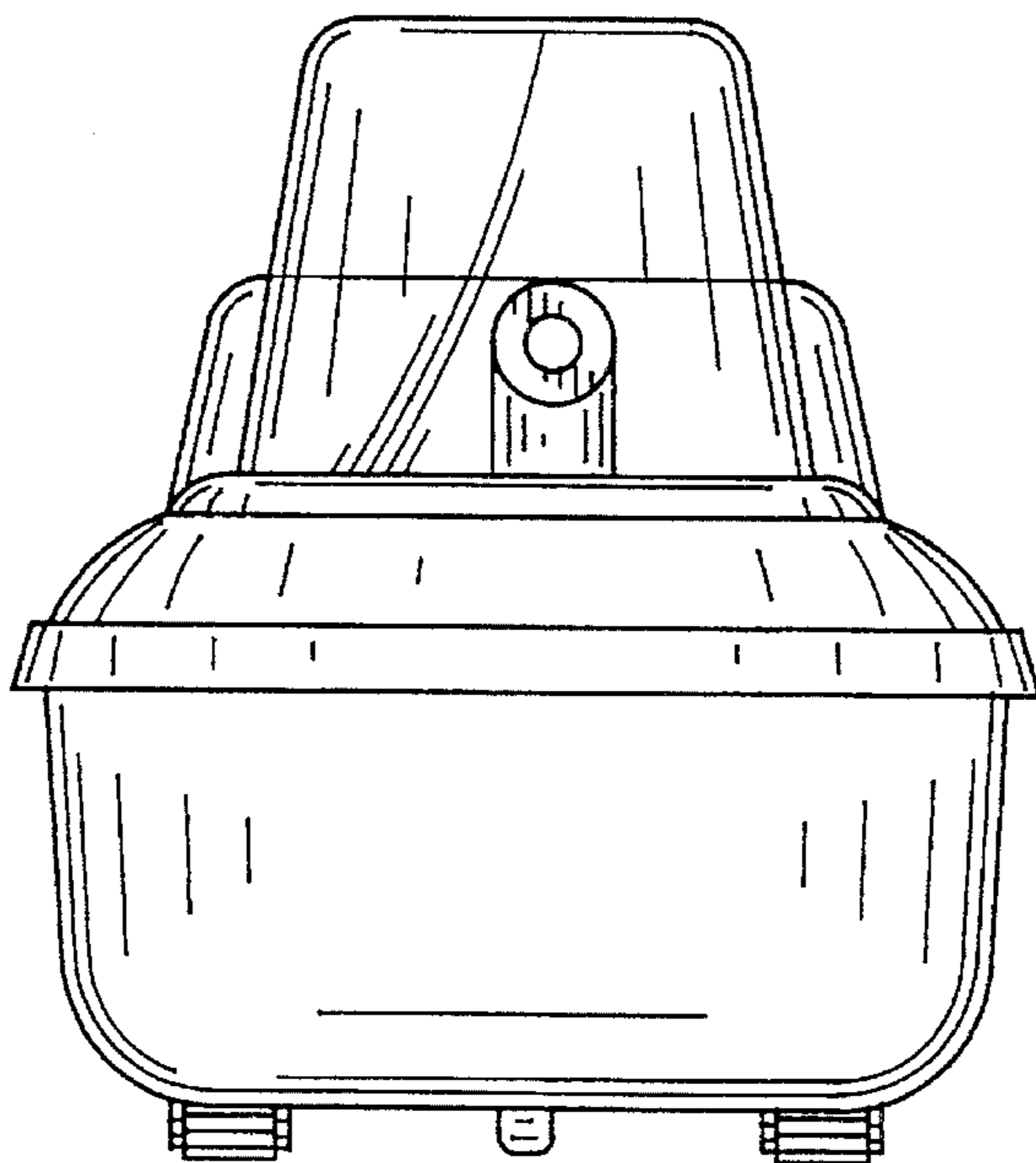


FIG. 5

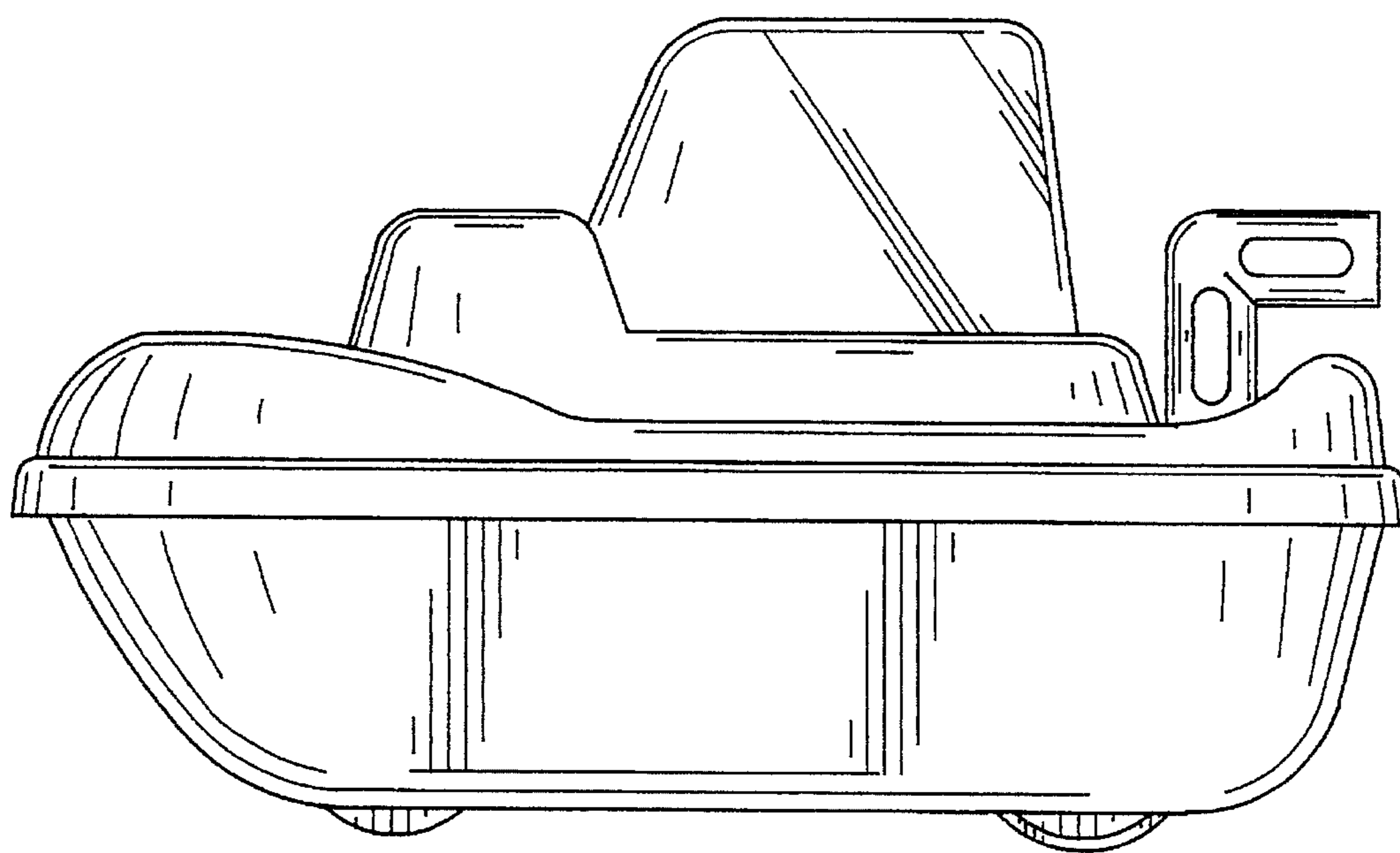


FIG. 6

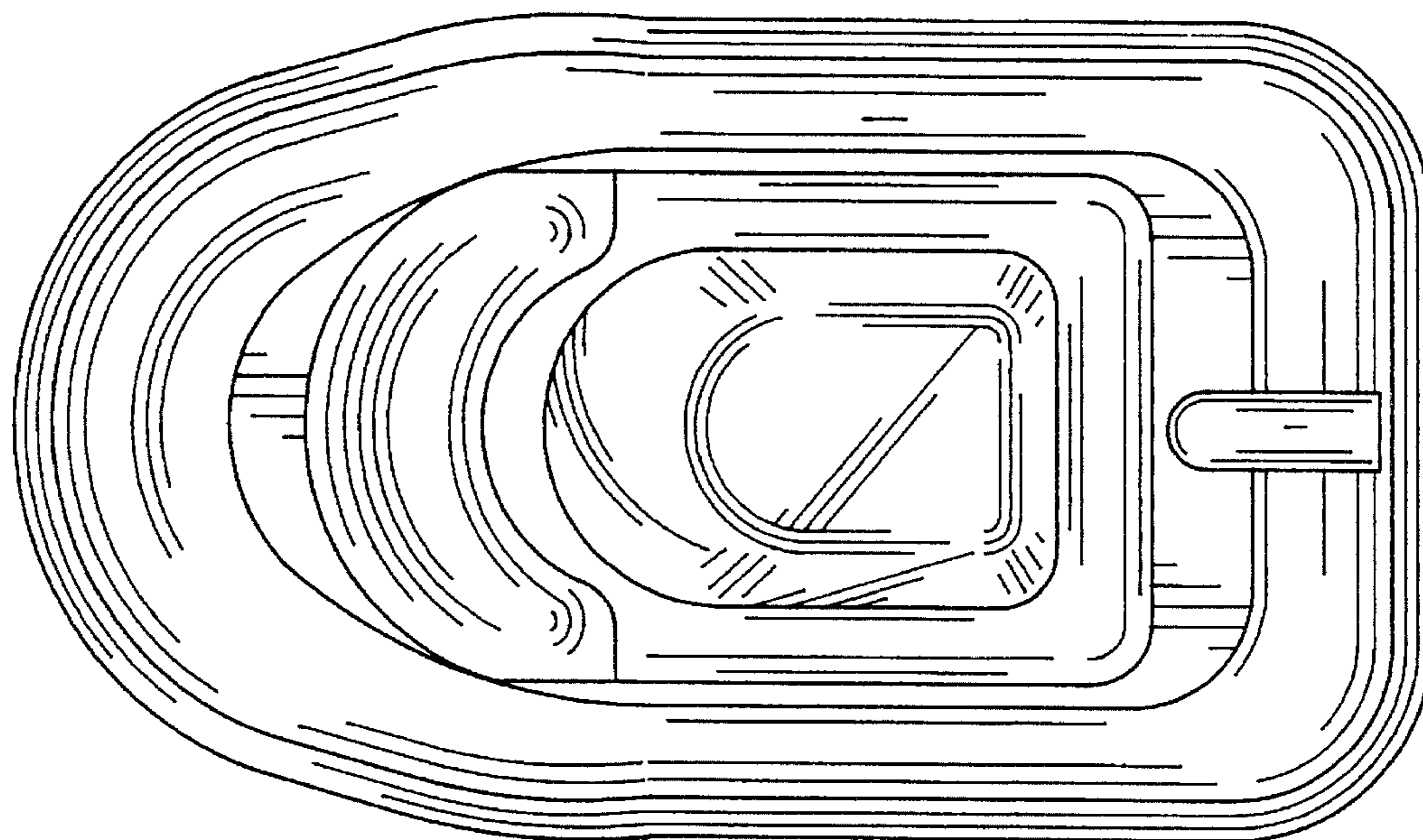


FIG. 7