



US00D368743S

United States Patent [19]

Amburgey et al.

[11] Patent Number: **Des. 368,743**

[45] Date of Patent: ****Apr. 9, 1996**

[54] **TOY VEHICLE**

[75] Inventors: **James D. Amburgey**, Richardson;
Peter C. Hill, Plano, both of Tex.

[73] Assignee: **Today's Kids, Inc.**, Bonneville, Ark.

[**] Term: **14 Years**

[21] Appl. No.: **34,781**

[22] Filed: **Feb. 10, 1995**

[52] U.S. Cl. **D21/78**

[58] Field of Search D21/71, 73, 78,
D21/80, 81, 129, 134, 137, 224; 280/828,
87.01, 87.021, 259, 47.38; 446/465, 468,
470, 456, 1.13; D12/107

D. 280,309	8/1985	Forbes et al.	D12/112
D. 300,127	3/1989	Poss	D12/112
D. 303,776	10/1989	Aker	D12/108
D. 359,082	6/1995	Aker et al.	D21/78
2,986,406	5/1961	Kahl	280/253
4,335,899	6/1982	Hiscock	280/259
5,069,469	12/1991	Rosengrant et al.	280/288.1

Primary Examiner—Prabhaker G. Deshmukh

Assistant Examiner—R. Barkai

Attorney, Agent, or Firm—Kirkpatrick & Lockhart

[57] CLAIM

The ornamental design for toy vehicle, as shown and described.

DESCRIPTION

FIG. 1 is a perspective view of a toy vehicle showing our new design;

FIG. 2 is a front elevational view thereof;

FIG. 3 is a rear elevational view thereof;

FIG. 4 is a top view thereof;

FIG. 5 is a bottom view thereof;

FIG. 6 is a left side elevational view thereof; and,

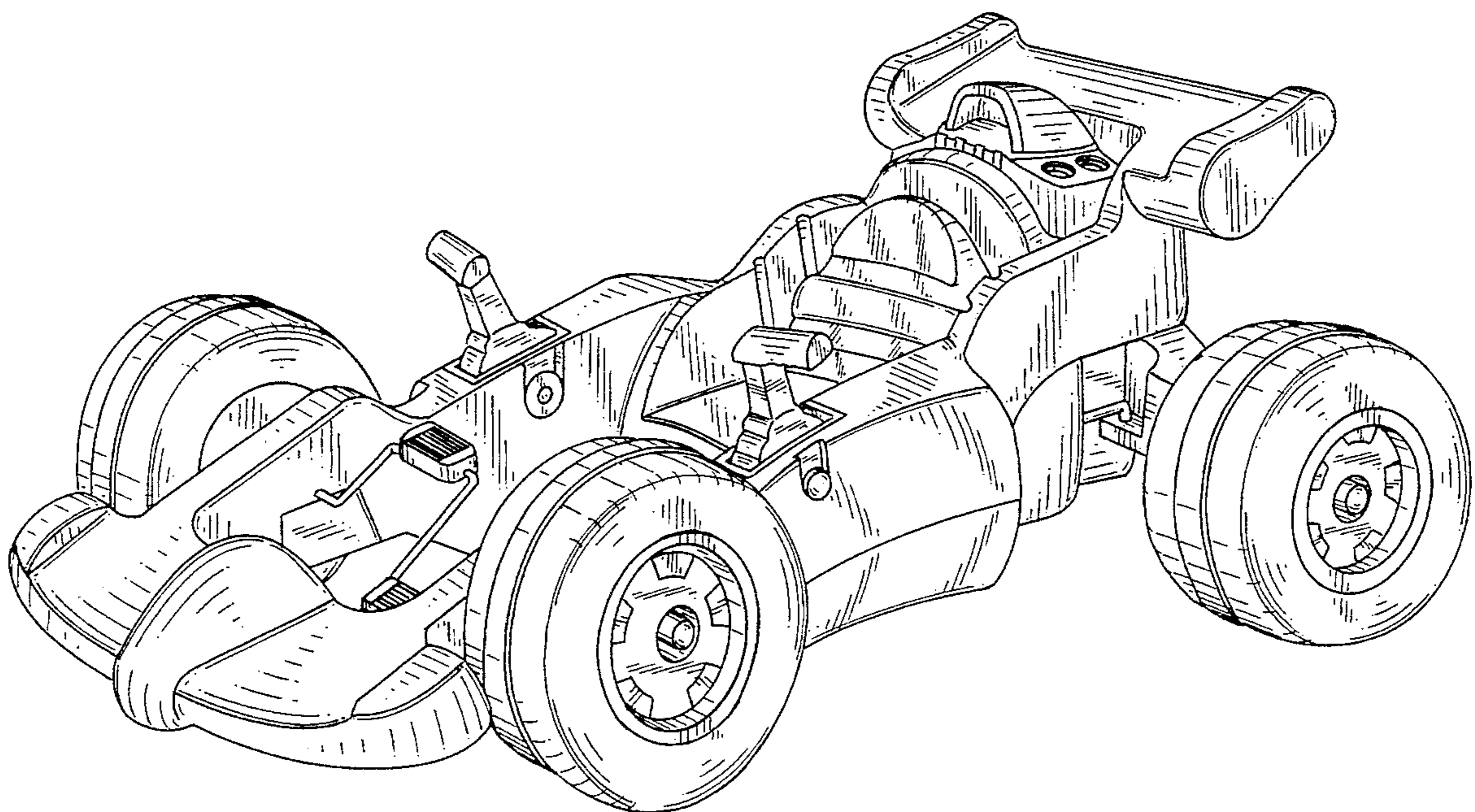
FIG. 7 is a right side elevational view thereof.

1 Claim, 6 Drawing Sheets

[56] References Cited

U.S. PATENT DOCUMENTS

D. 218,630	9/1970	Steel	D21/2
D. 218,696	9/1970	Auer	D21/78
D. 241,960	10/1976	Huffman	D21/78
D. 251,264	3/1979	Cooke et al.	D12/112
D. 255,810	7/1980	Bretschger	D21/137
D. 266,779	11/1982	Appel et al.	D21/137



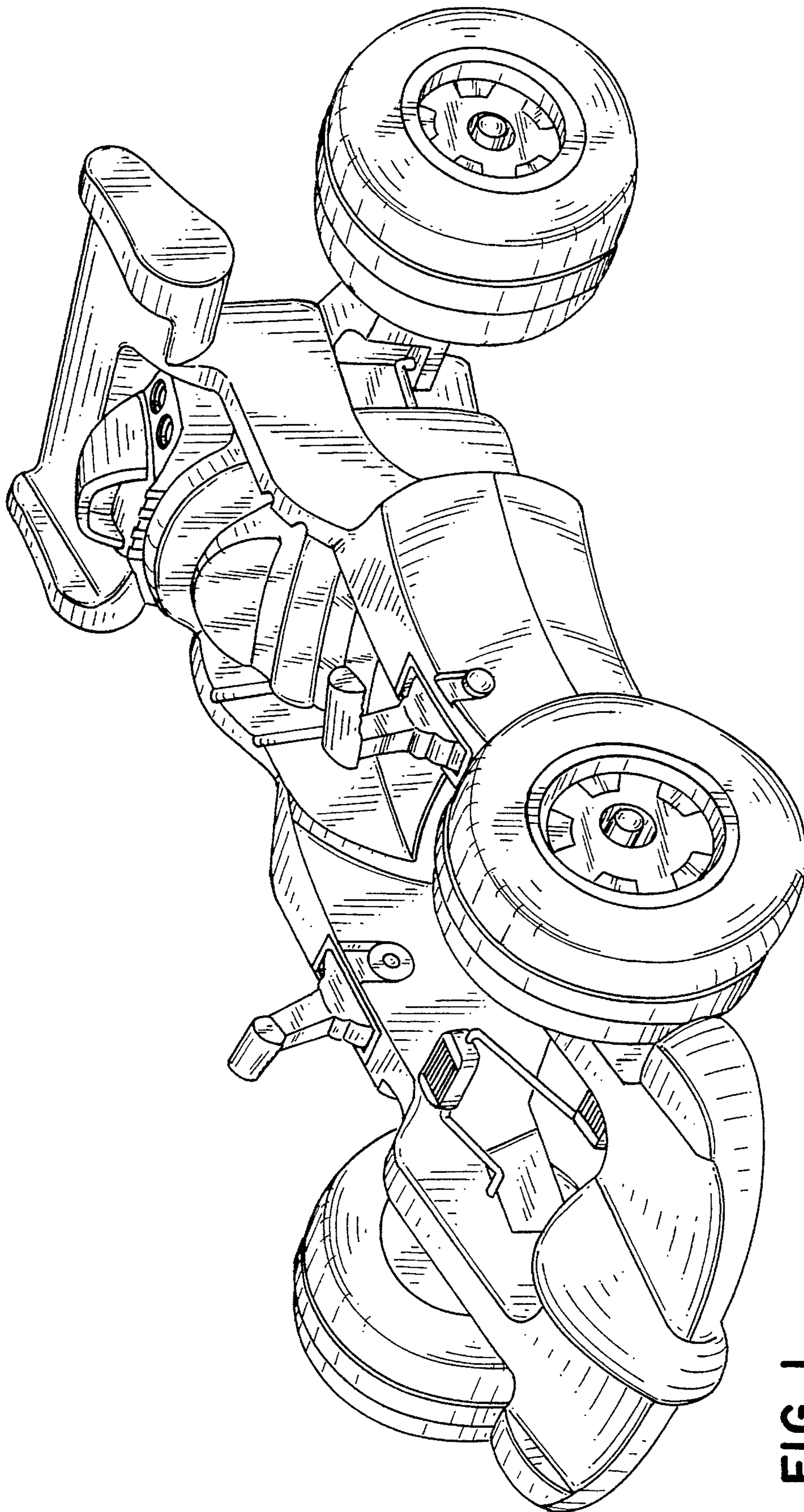


FIG. 1

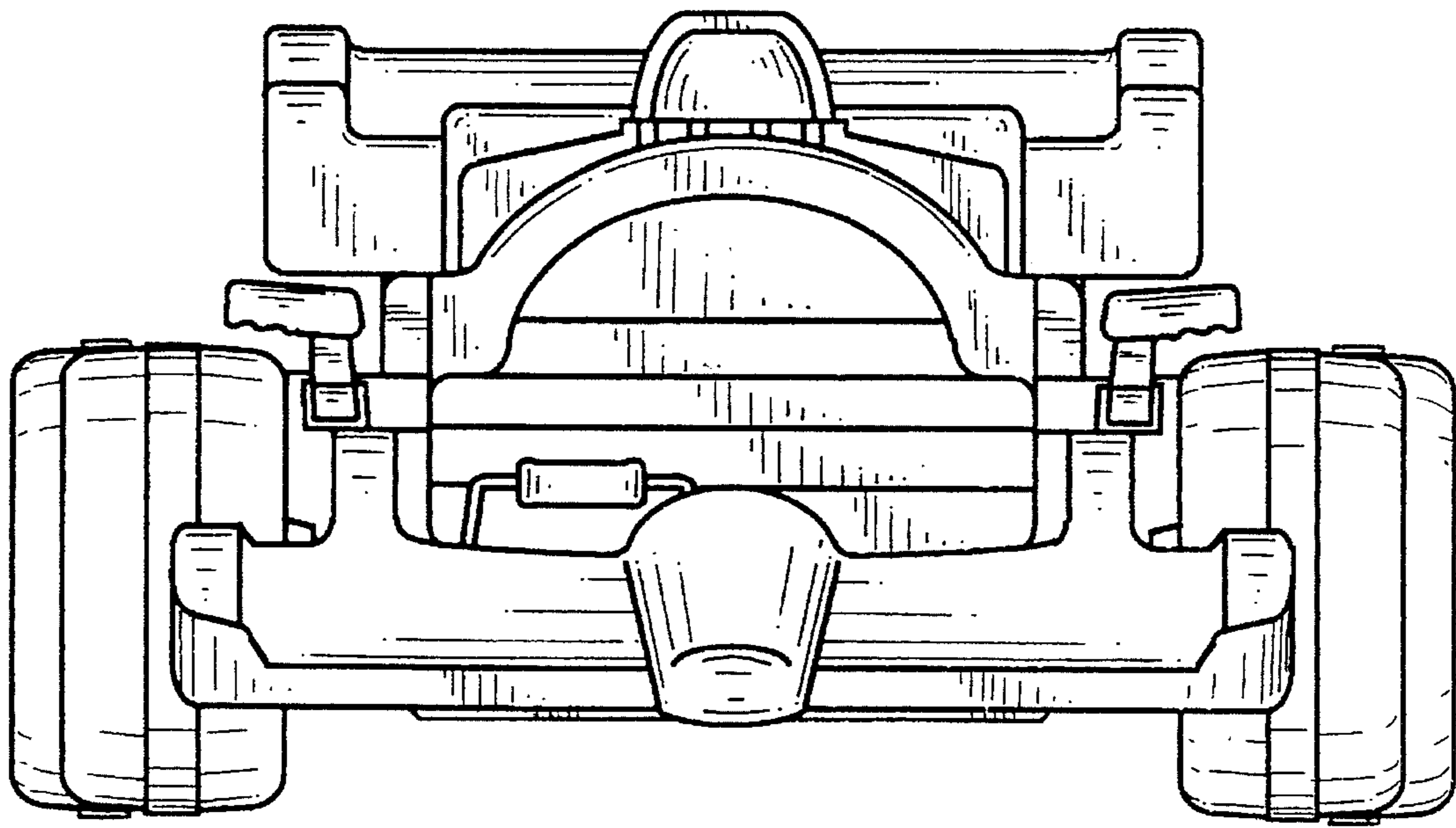


FIG. 2

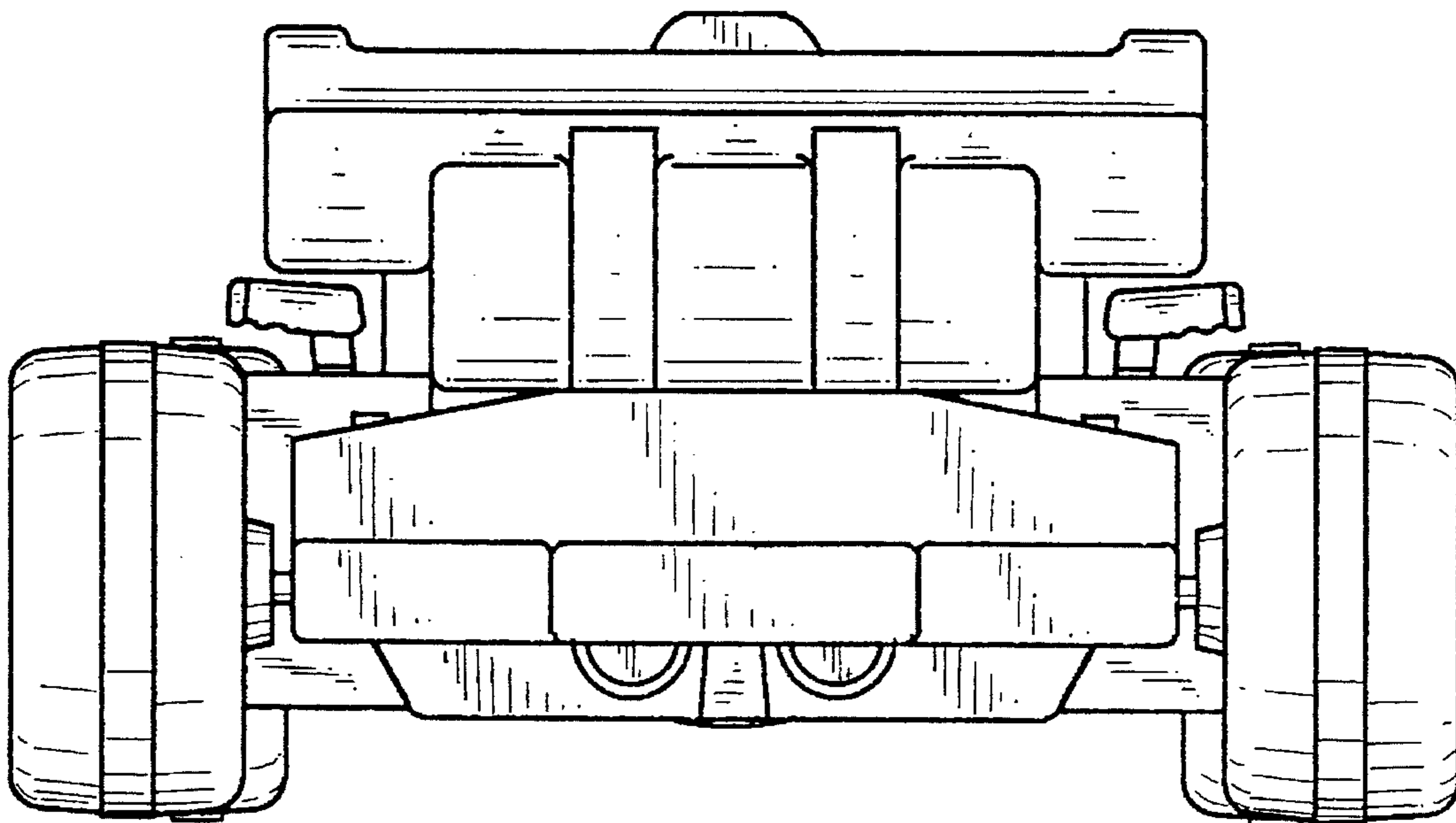


FIG. 3

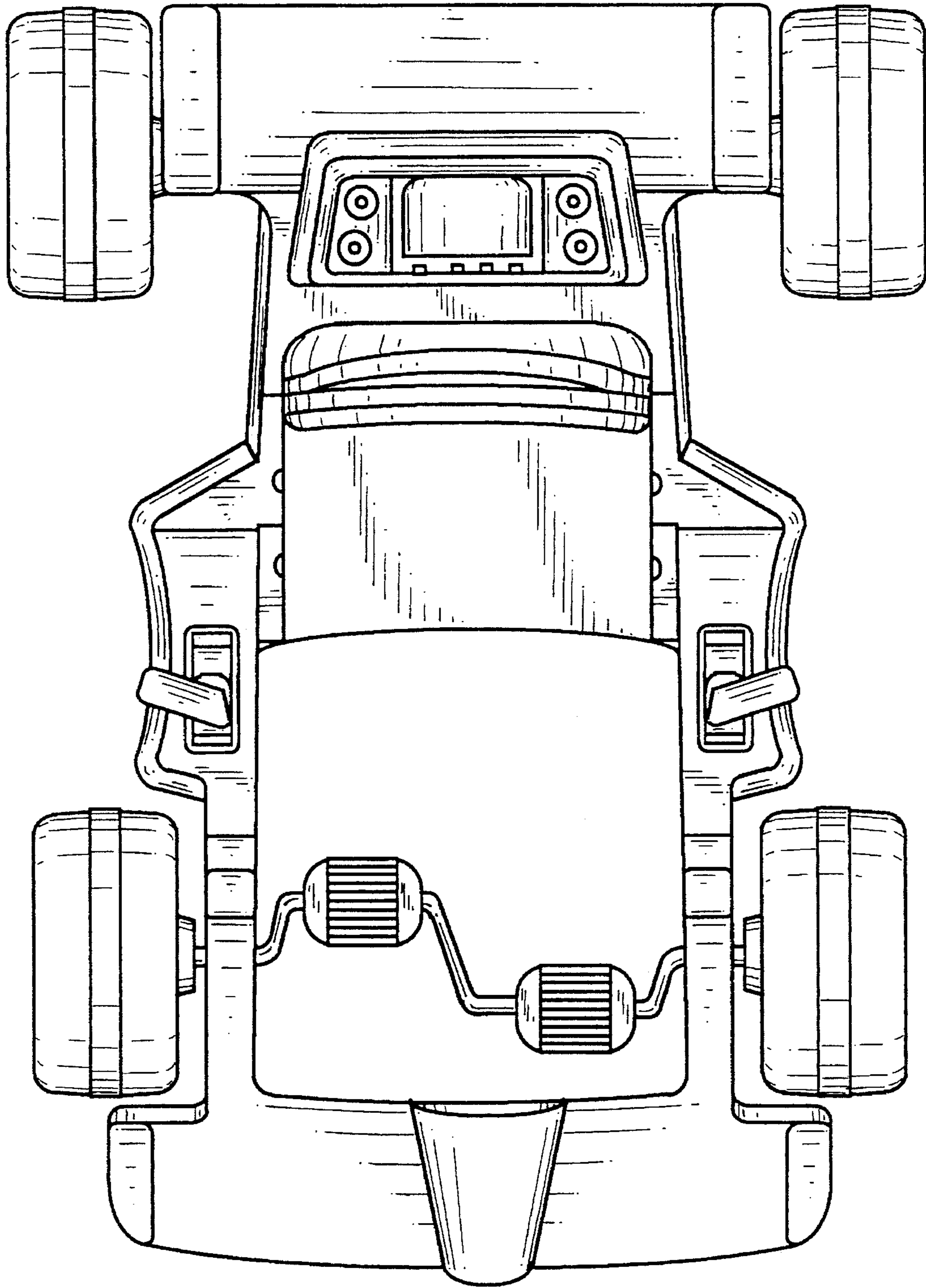


FIG. 4

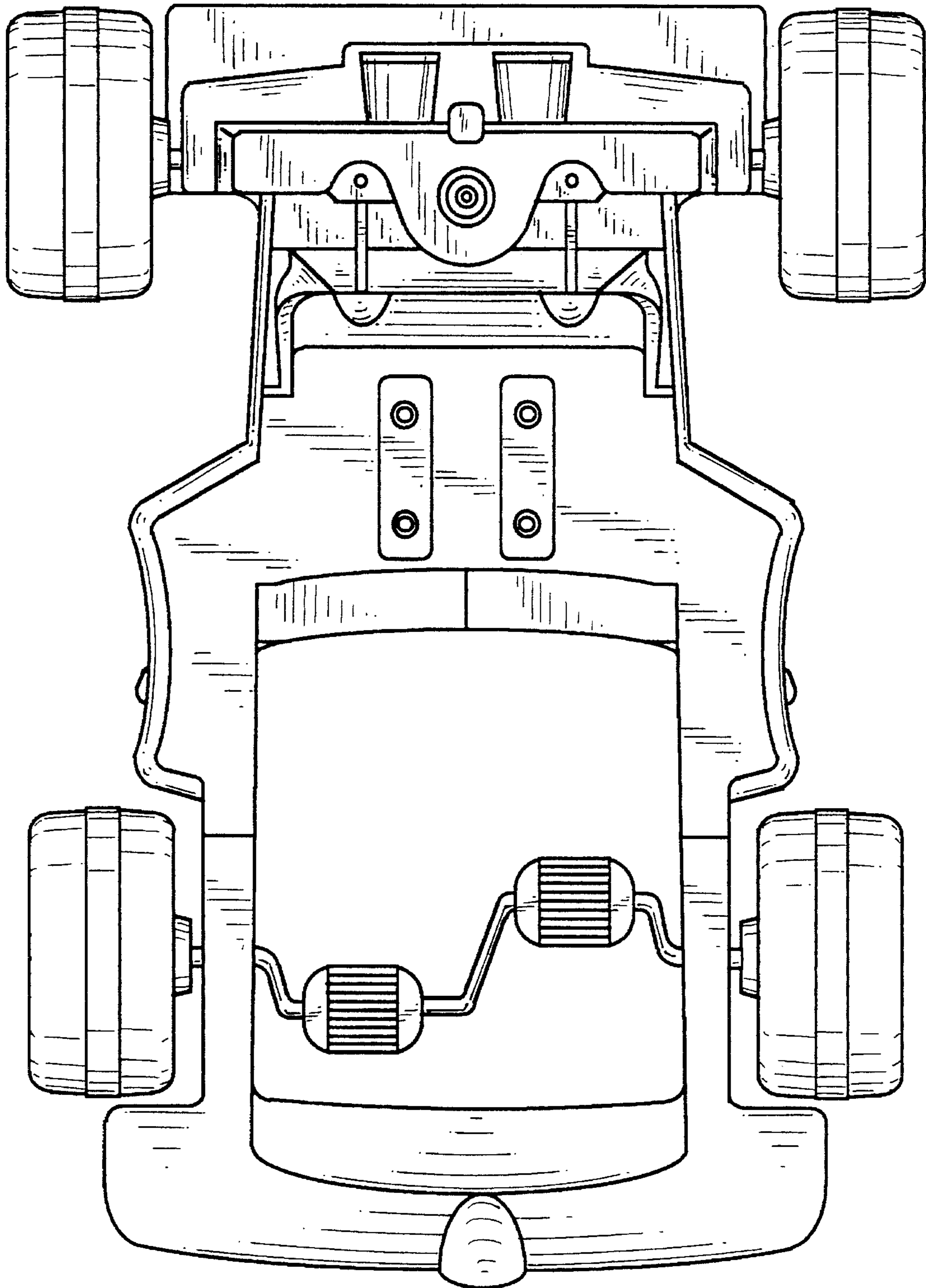


FIG. 5

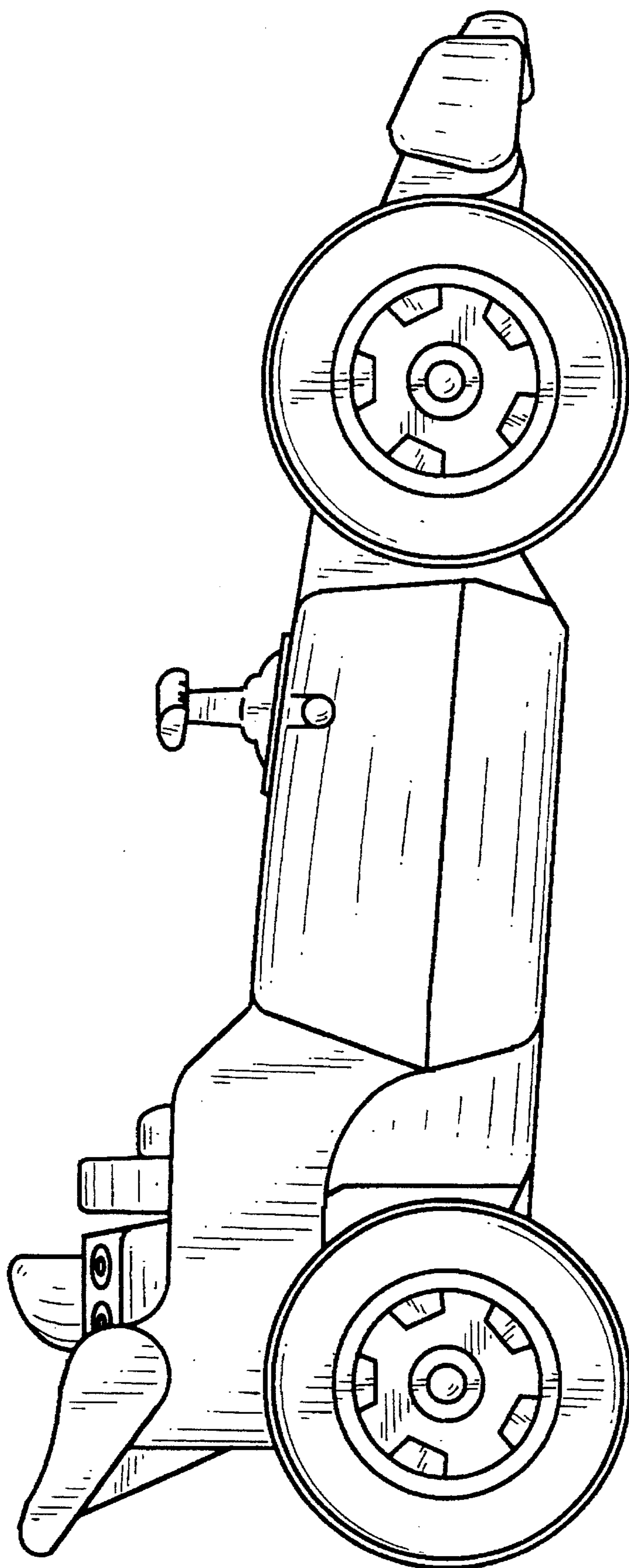


FIG. 6

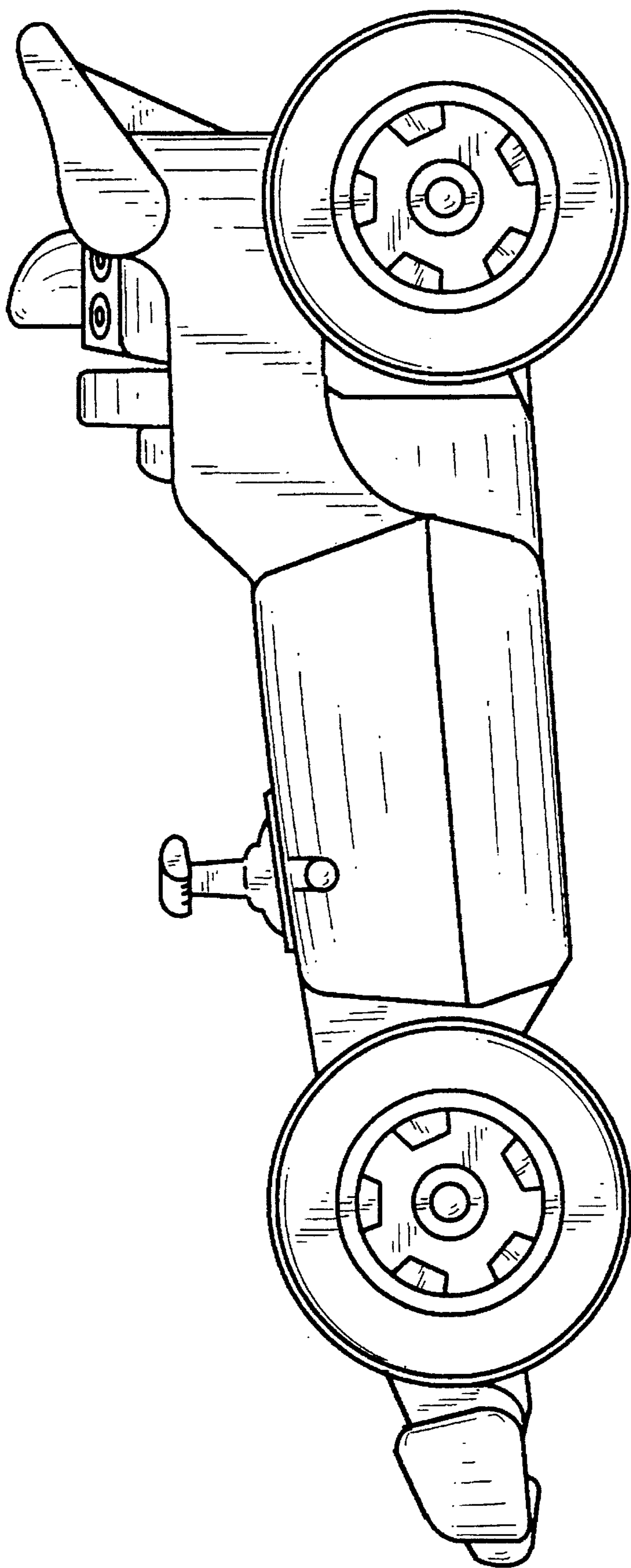


FIG. 7