



US00D368739S

United States Patent [19]

Cameron

[11] Patent Number: **Des. 368,739**

[45] Date of Patent: ****Apr. 9, 1996**

[54] NEON LIGHT DISPLAY

5,136,492 8/1992 Rush 40/545

[76] Inventor: **Charles L. Cameron**, 109 Village La.,
Daytona Beach, Fla. 32119

Primary Examiner—A. Hugo Word
Assistant Examiner—Marcus Jackson
Attorney, Agent, or Firm—William M. Hobby, III

[**] Term: **14 Years**

[57] CLAIM

[21] Appl. No.: **35,605**

The ornamental design for a neon light display design, as shown and described.

[22] Filed: **Mar. 3, 1995**

[52] U.S. Cl. **D20/10**

DESCRIPTION

[58] Field of Search D20/10, 39, 40,
D20/42, 41, 99; 40/1, 540, 541, 542, 543,
544, 545, 546, 558, 559, 584, 624

FIG. 1 is a top and front perspective view of my new neon light display design;

FIG. 2 is a front end elevation, with the broken line showing for illustrative purposes only and forming no part of the claimed design;

FIG. 3 is a left side elevation;

FIG. 4 is a rear end elevation;

FIG. 5 is a right side elevation;

FIG. 6 is a top plan view; and,

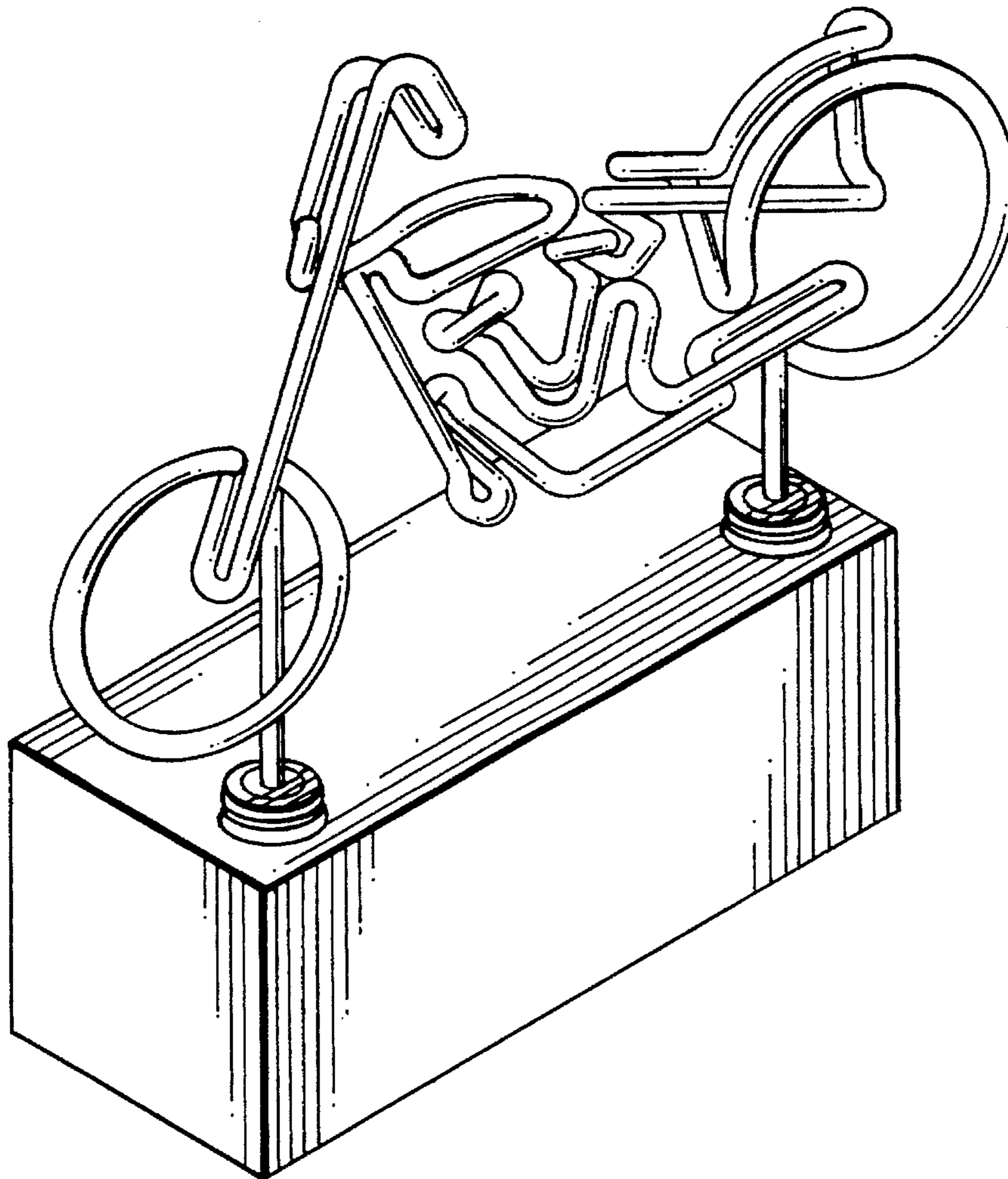
FIG. 7 is a bottom plan view.

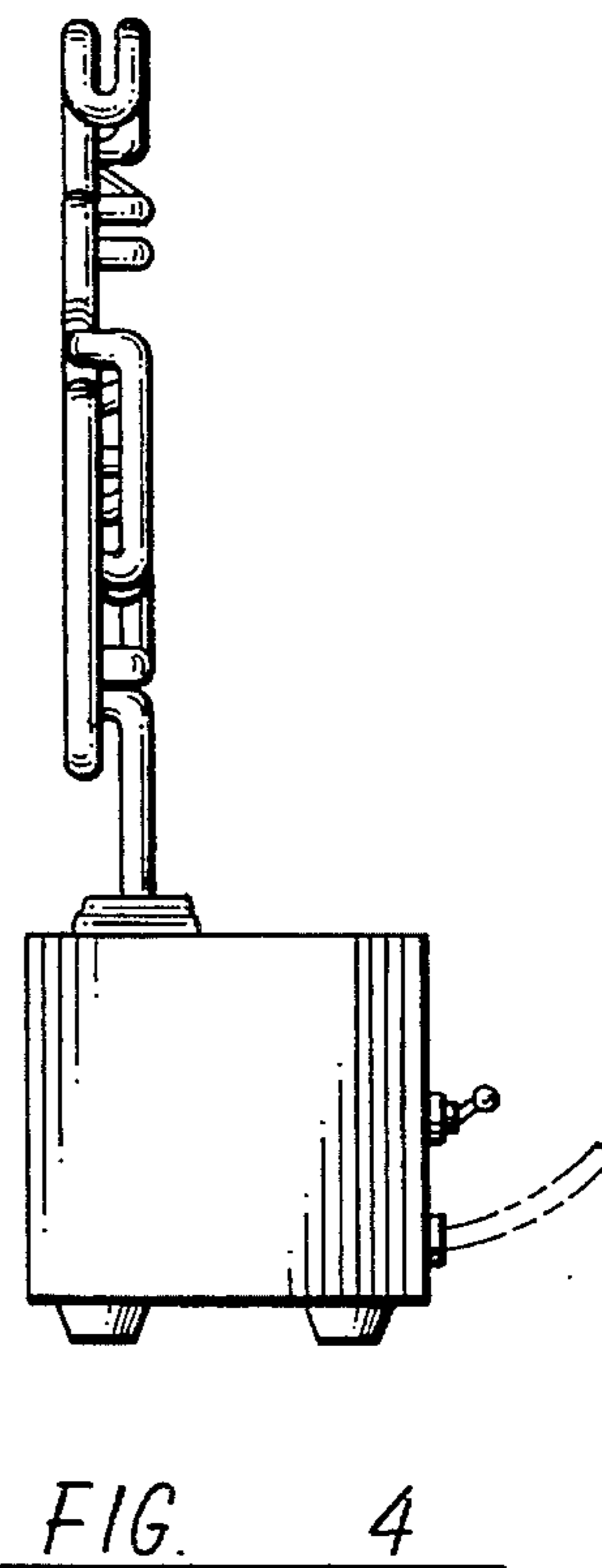
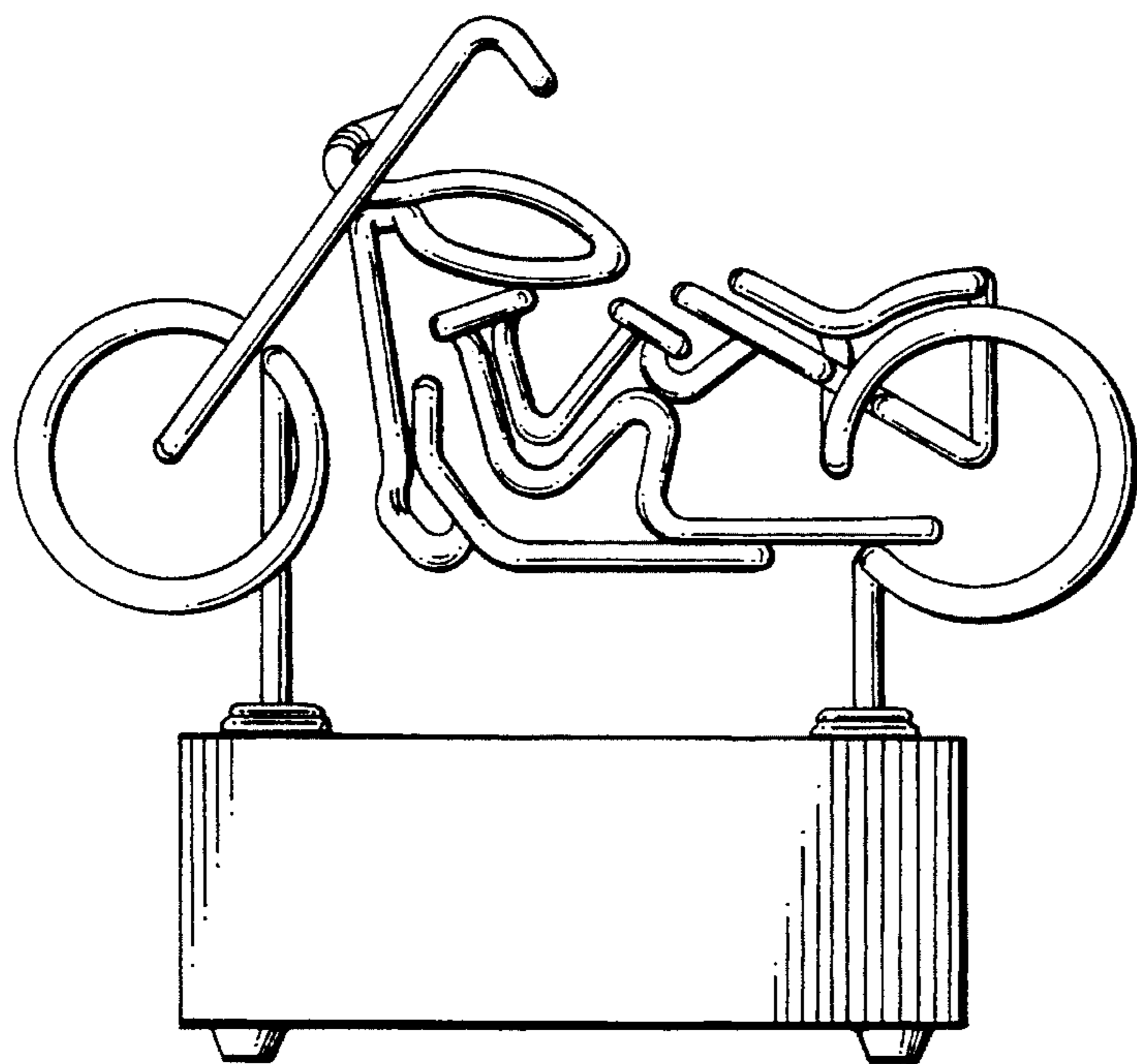
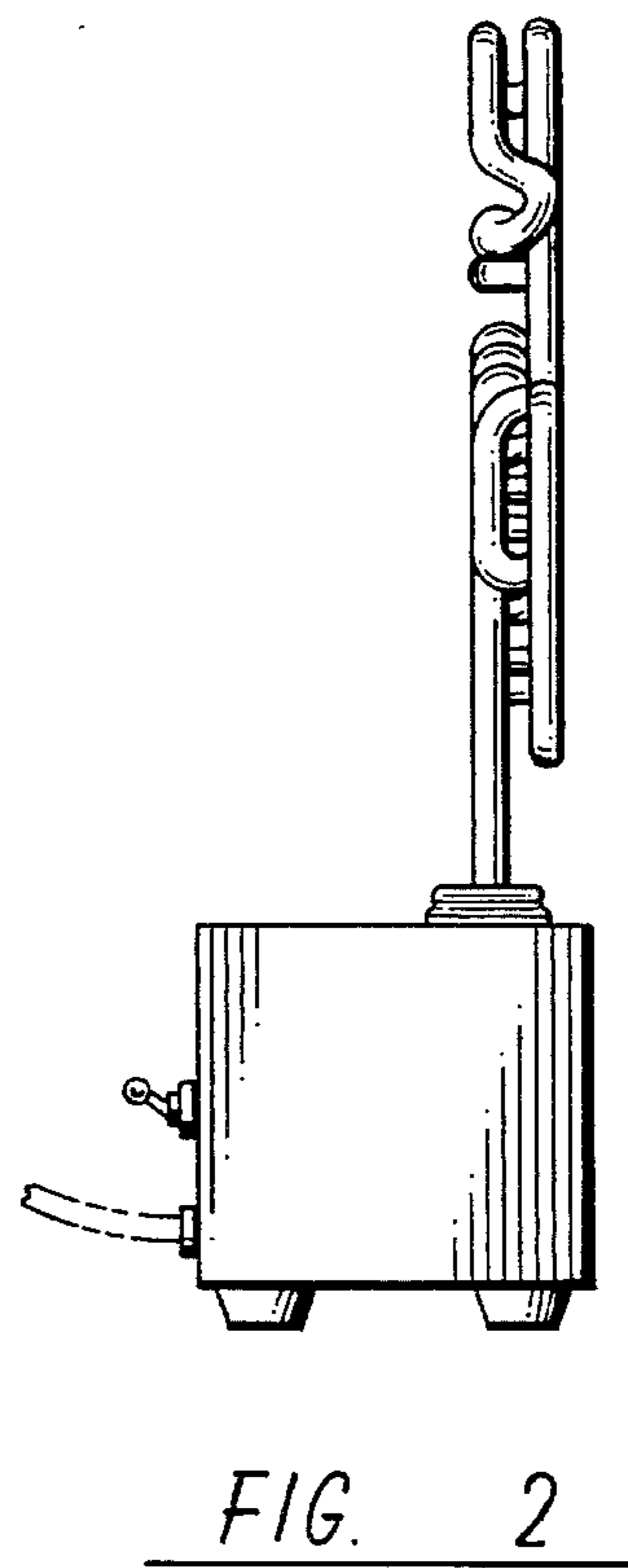
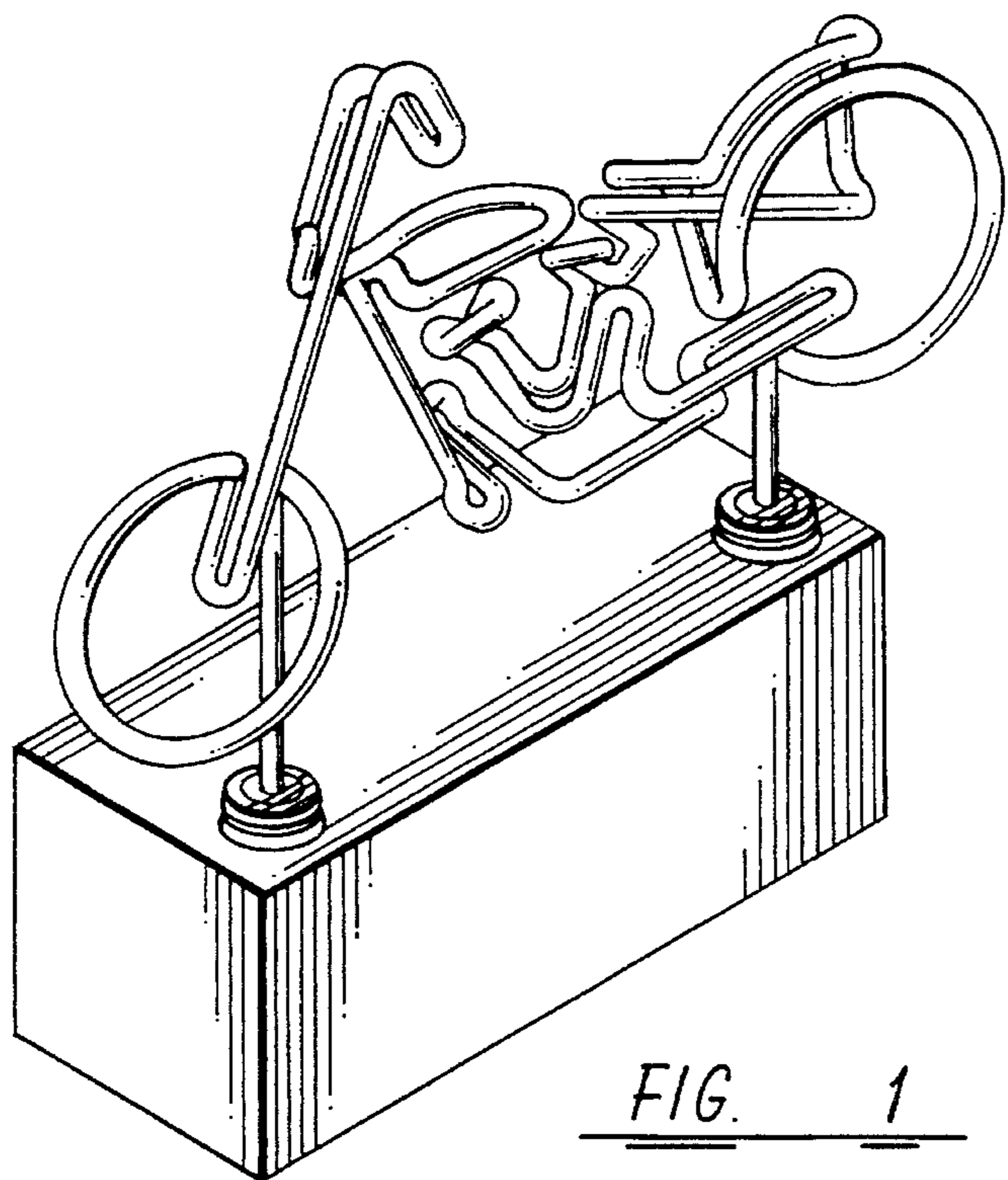
[56] References Cited

U.S. PATENT DOCUMENTS

D. 173,513	11/1954	Schmidt	D20/42
1,803,598	5/1931	Craig	40/545
1,830,026	11/1931	Harase	40/545
1,960,131	5/1934	Whitman	40/545
2,025,356	12/1935	Neal	40/545
2,185,708	1/1940	Meyerricks	40/545
5,031,345	7/1991	Kinney	40/545

1 Claim, 2 Drawing Sheets





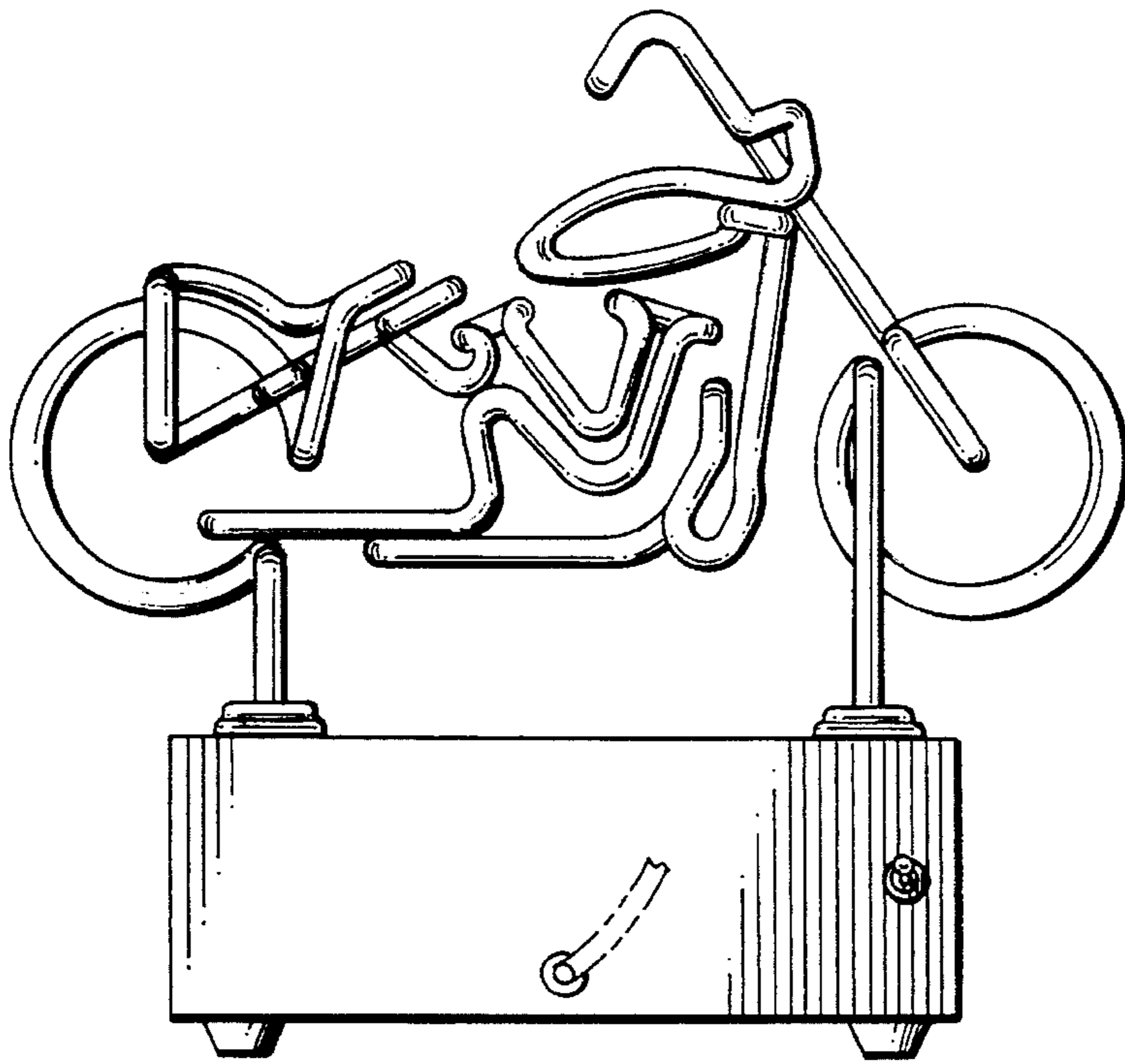


FIG. 5

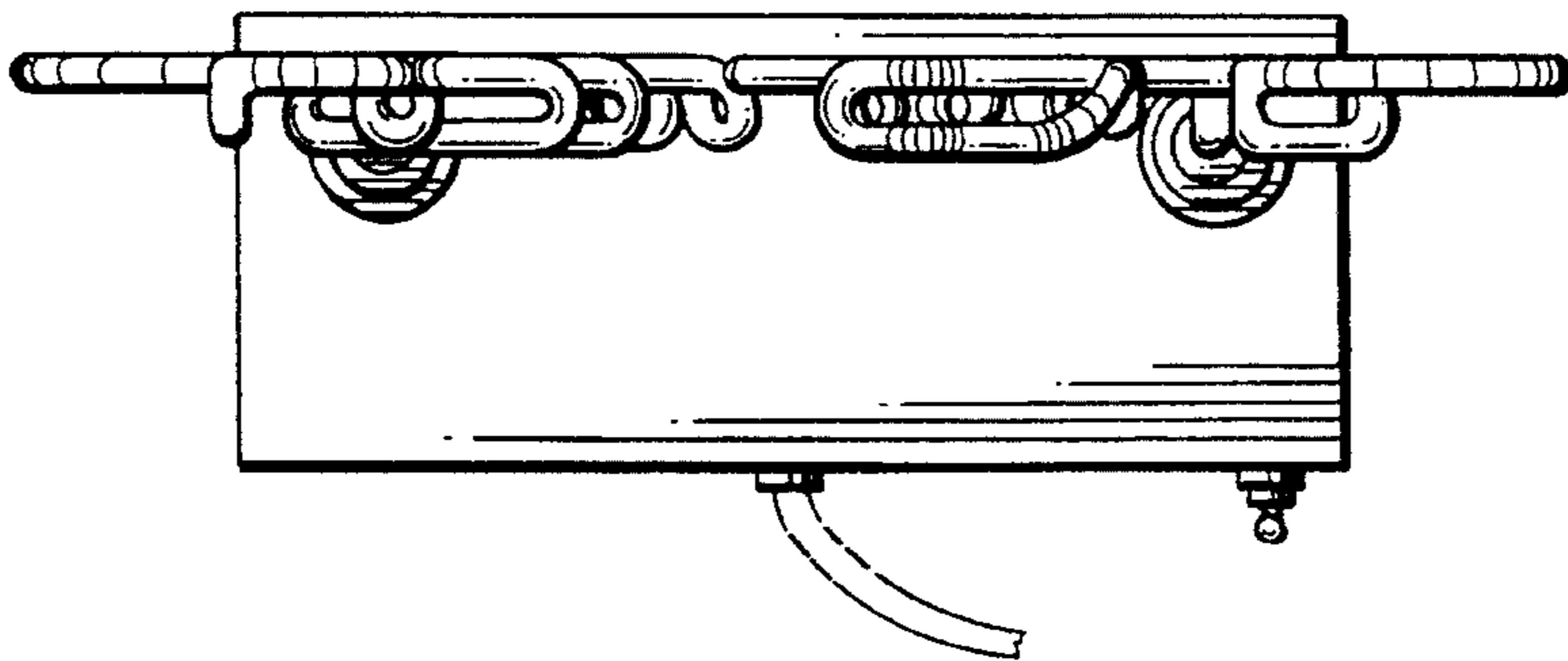


FIG. 6

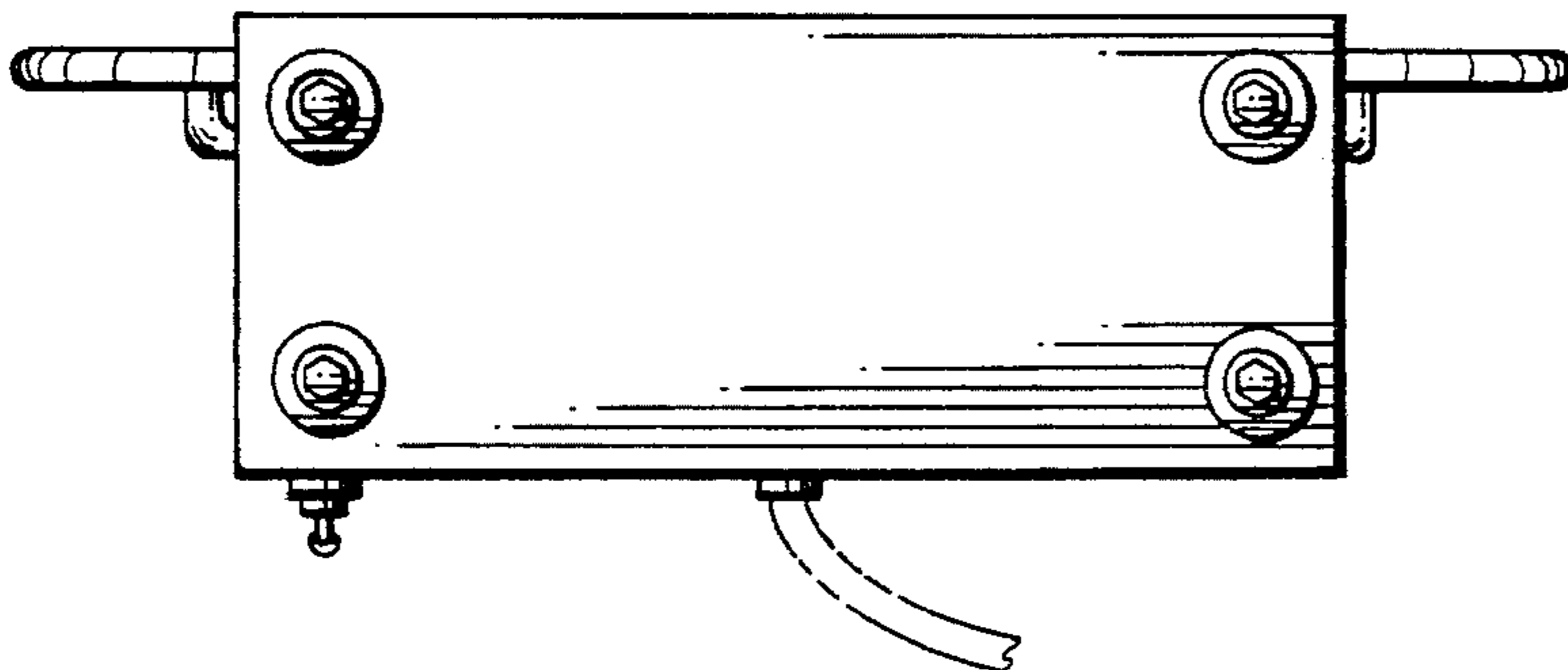


FIG. 7