



US00D368737S

United States Patent [19]

Dunn et al.

[11] Patent Number: **Des. 368,737**

[45] Date of Patent: ****Apr. 9, 1996**

[54] **LINE DRAWING APPARATUS**

2,827,703 3/1958 Patterson et al. 33/44
3,762,054 10/1973 Ballard 33/41.4

[76] Inventors: **Wayne F. Dunn; Judith A. Dunn**, both
of 301 W. Highway 9, Clifton, Kans.
66937

Primary Examiner—Martie Thompson
Attorney, Agent, or Firm—Phillip A. Rein

[**] Term: **14 Years**

[57] **CLAIM**

[21] Appl. No.: **40,744**

The ornamental design for a line drawing apparatus, as
shown and described.

[22] Filed: **Jun. 26, 1995**

DESCRIPTION

[52] U.S. Cl. **D19/36; D19/51; D19/38;**
D19/35

[58] **Field of Search** **D15/138; D19/35,**
D19/36, 38, 65, 41-51, 54-58, 81-85;
D8/98; 33/41.1, 41.2, 41.4, 44; 401/29-35,
52, 195

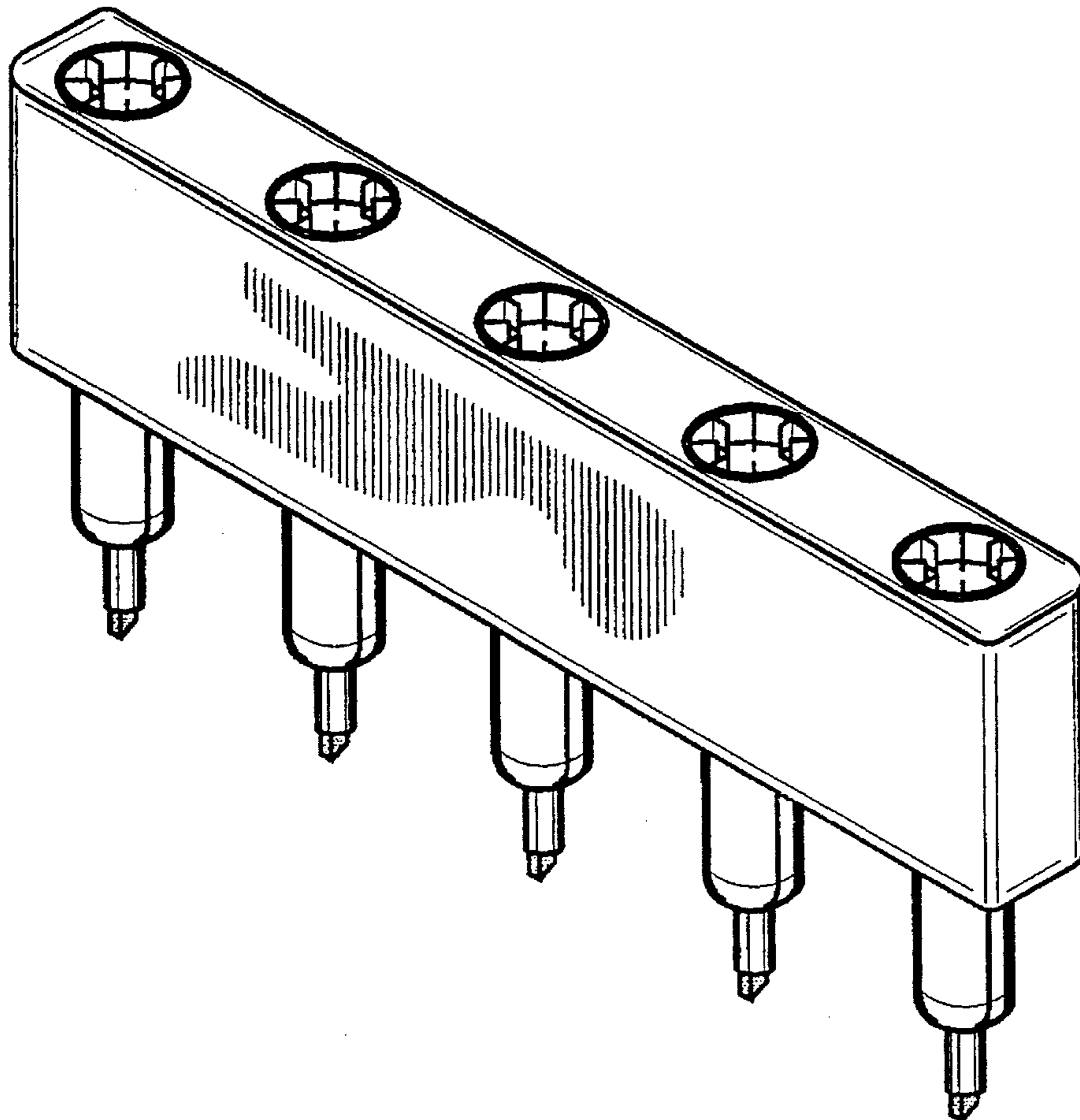
FIG. 1 is a perspective view of a line drawing apparatus
showing our new design;
FIG. 2 is a side elevational view thereof;
FIG. 3 is a bottom plan view thereof;
FIG. 4 is a side elevational view with an opposite side
elevational view being identical;
FIG. 5 is a top plan view thereof;
FIG. 6 is a perspective view of a second embodiment of the
invention used to draw a circle; and,
FIG. 7 is a perspective view of a third embodiment of the
invention used to draw three lines;
The paper and lines shown in broken lines in FIGS. 6 and 7
are shown for illustrative purposes only and form no part of
the claimed invention.

[56] References Cited

U.S. PATENT DOCUMENTS

| | | | | |
|------------|---------|---------------|-------|----------|
| D. 116,018 | 8/1939 | Cathcard | | D8/98 |
| D. 306,315 | 2/1990 | Shintani | | D19/36 |
| D. 339,377 | 9/1993 | Irving | | D19/36 |
| 724,445 | 4/1903 | Decker | | 33/41.4 |
| 883,009 | 3/1908 | Gee | | 401/35 X |
| 976,687 | 11/1910 | Pickwick, Jr. | | 401/35 X |
| 1,093,606 | 4/1914 | Cooley | | 33/41.4 |
| 2,388,361 | 11/1945 | Lynex | | 33/41.1 |

1 Claim, 2 Drawing Sheets



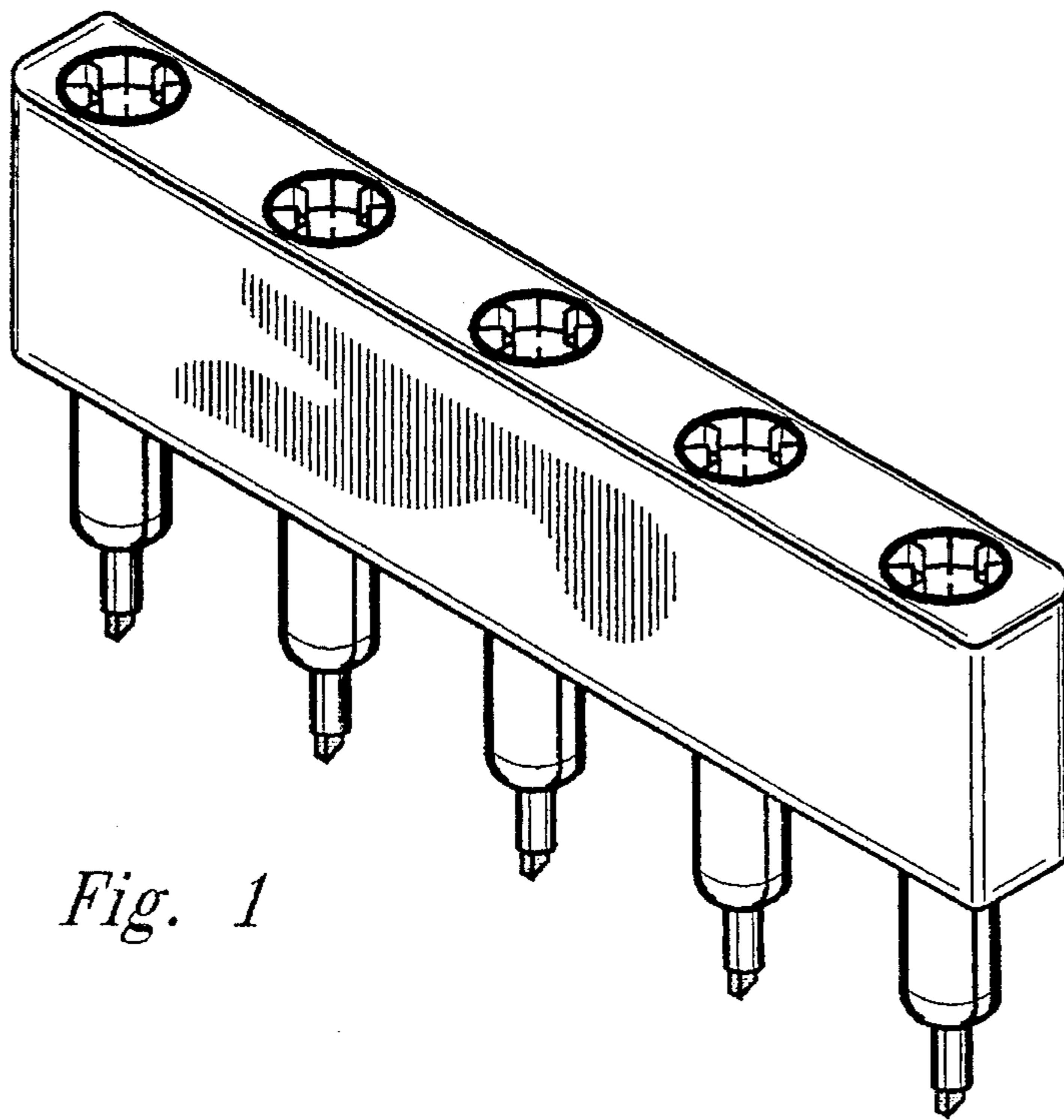


Fig. 1

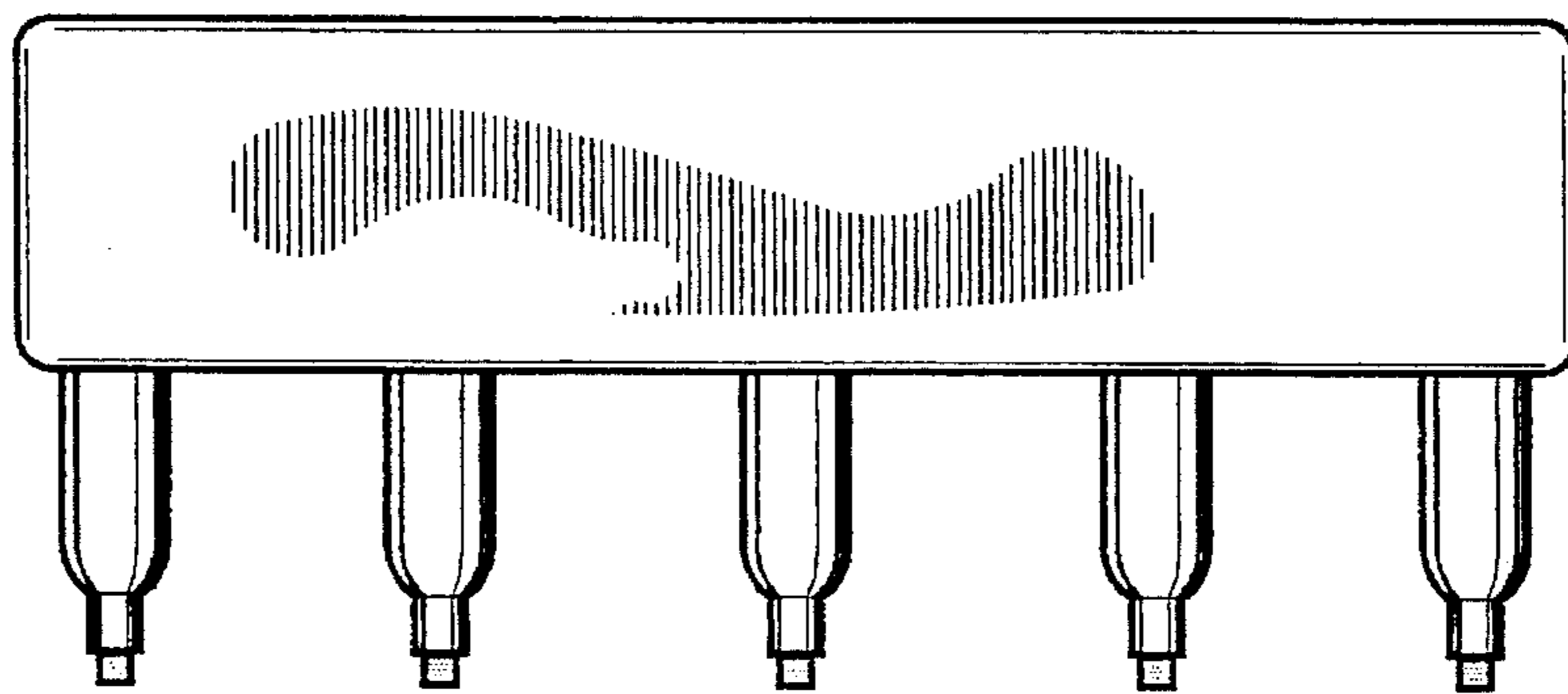


Fig. 2



Fig. 3

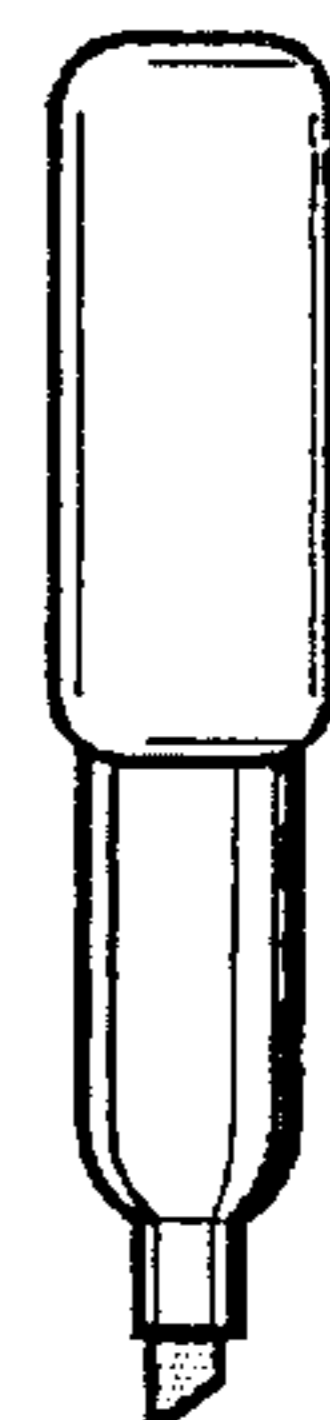


Fig. 4



Fig. 5

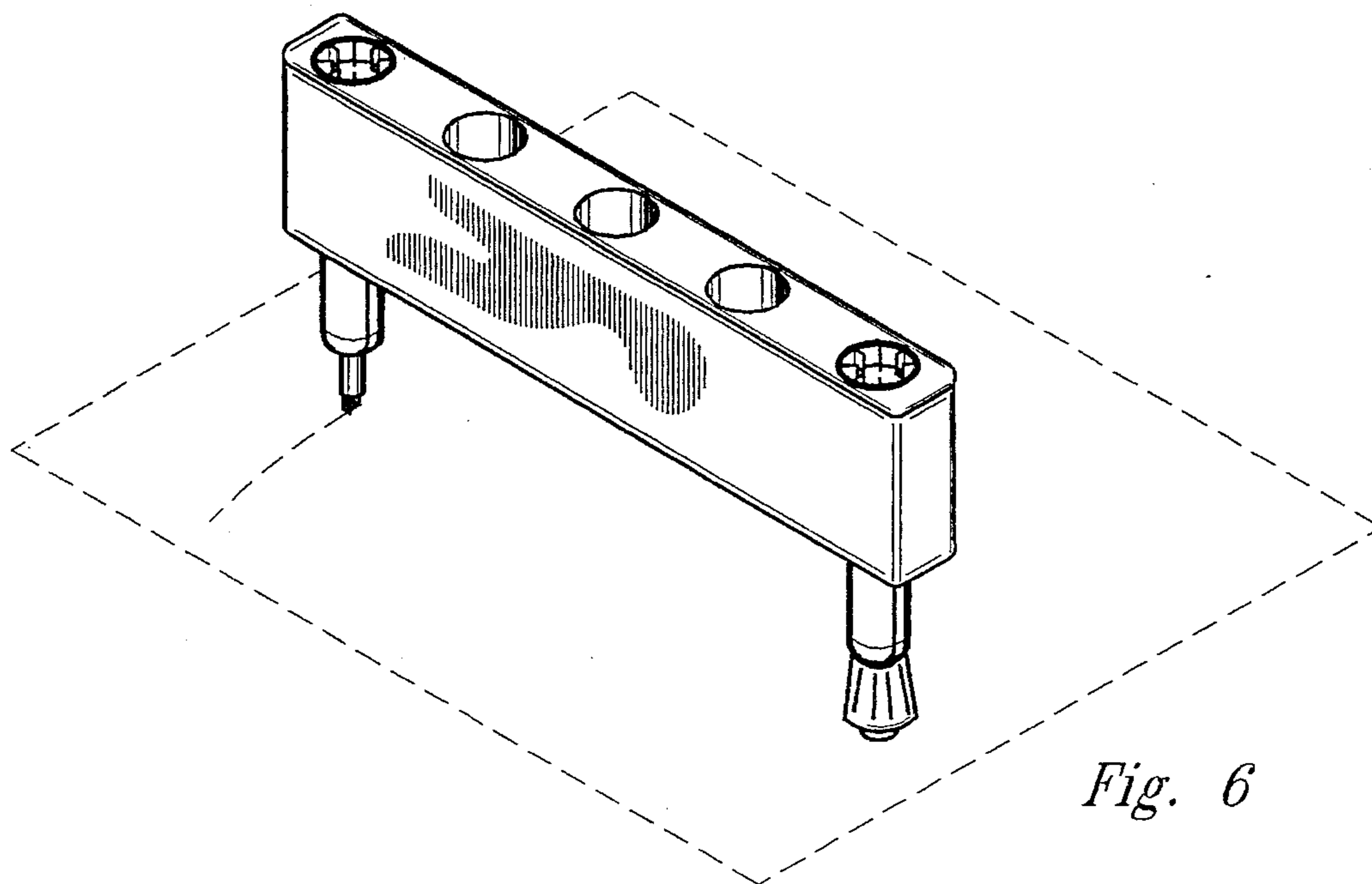


Fig. 6

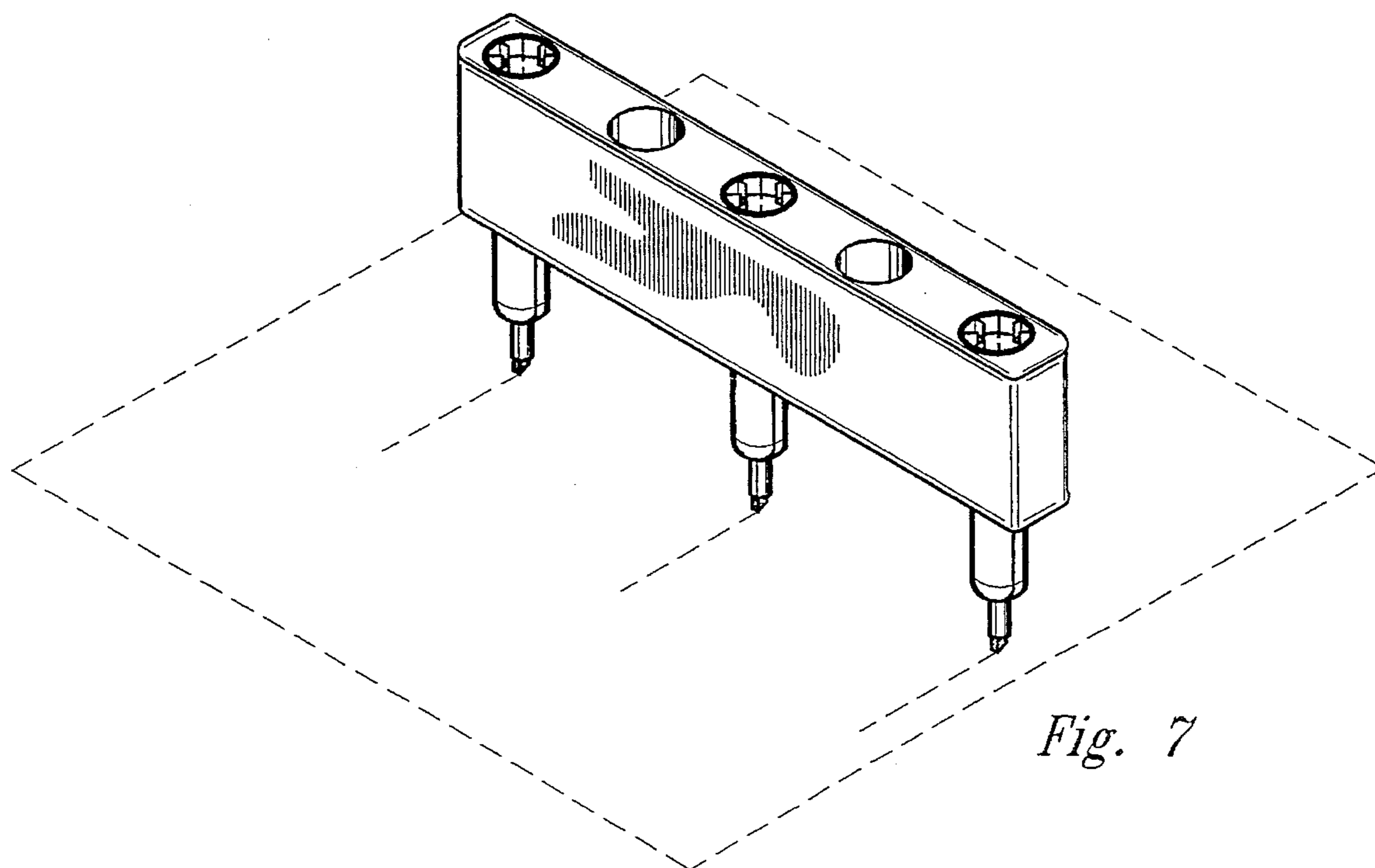


Fig. 7