



US00D368736S

United States Patent [19]

Massena

[11] Patent Number: **Des. 368,736**

[45] Date of Patent: ****Apr. 9, 1996**

[54] **PAINT STORAGE AND WORK PLATFORM**

3,945,490 3/1976 Thompson D19/35 X

[76] Inventor: **Len Massena**, 9423 Tarleton, Dallas, Tex. 75218

Primary Examiner—Martie Thompson
Attorney, Agent, or Firm—Harris, Tucker & Hardin

[**] Term: **14 Years**

[57] **CLAIM**

[21] Appl. No.: **29,089**

The ornamental design for a paint storage and work platform, as shown and described.

[22] Filed: **Sep. 29, 1994**

DESCRIPTION

[52] U.S. Cl. **D19/36**; D24/230; D19/35

[58] **Field of Search** D24/223, 227, D24/230; D19/35, 36, 65, 75, 77, 78, 81-85; 206/1.7, 1.8, 1.9, 214, 224, 371; 211/69.1-69.9

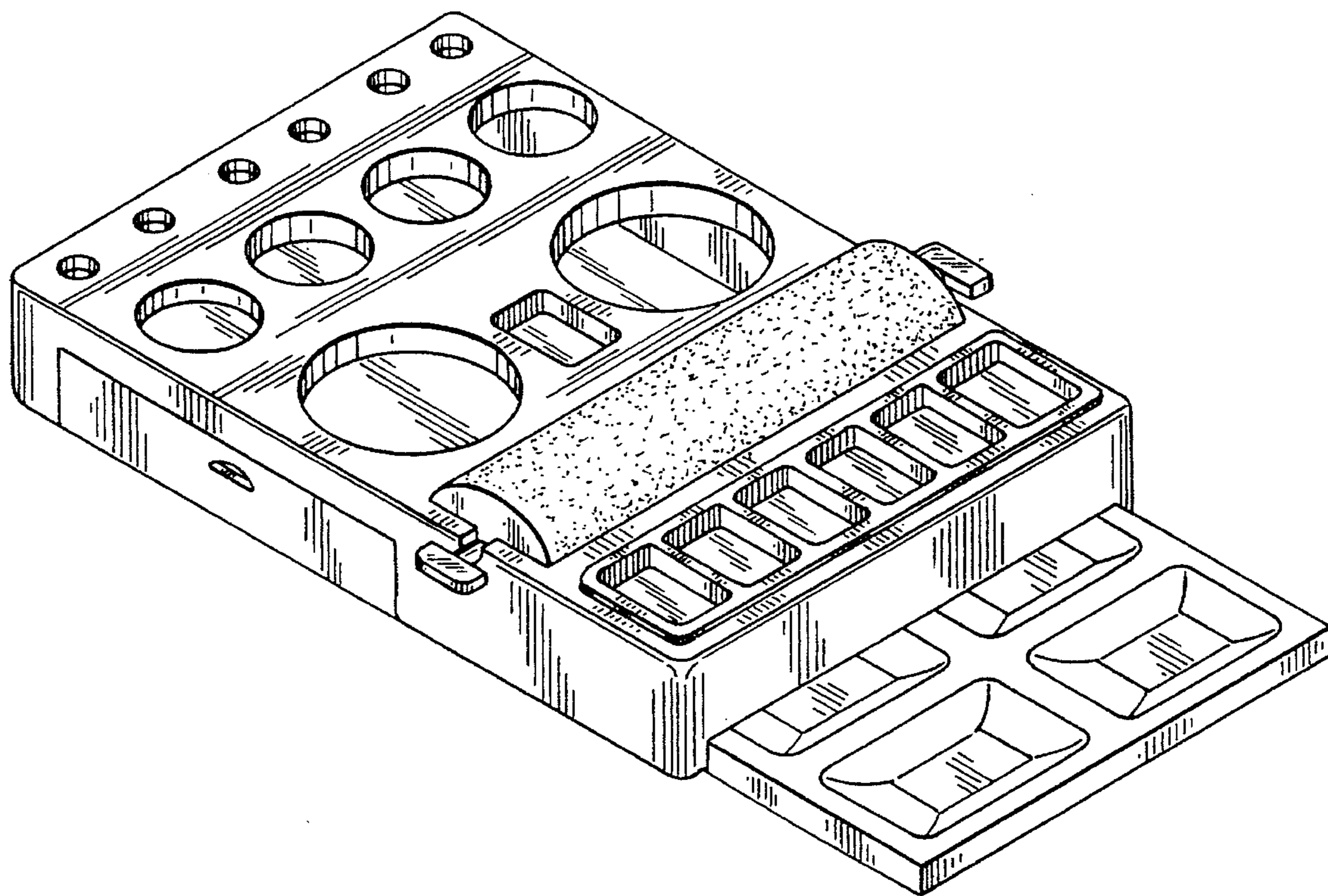
FIG. 1 is a perspective view of the paint storage and work platform showing my new design with the tray member partially extended;
FIG. 2 is a front view of the paint storage and work platform;
FIG. 3 is a right side view of the paint storage and work platform;
FIG. 4 is an rear view of the paint storage and work platform;
FIG. 5 is a left side view of the paint storage and work platform; and,
FIG. 6 is a top plan view of the paint storage and work platform.

[56] **References Cited**

U.S. PATENT DOCUMENTS

D. 192,672	4/1962	Jenkins	D24/230
D. 239,334	3/1976	Lowenstein	D19/77
D. 245,118	7/1977	Heaton	D24/230
D. 264,225	5/1982	Hermes	D19/77
D. 301,575	6/1989	Crawford, Jr.	D24/239 X
D. 320,619	10/1991	Schleeh et al.	D19/78
D. 343,417	1/1994	Tarozzi	D19/35 X

1 Claim, 1 Drawing Sheet



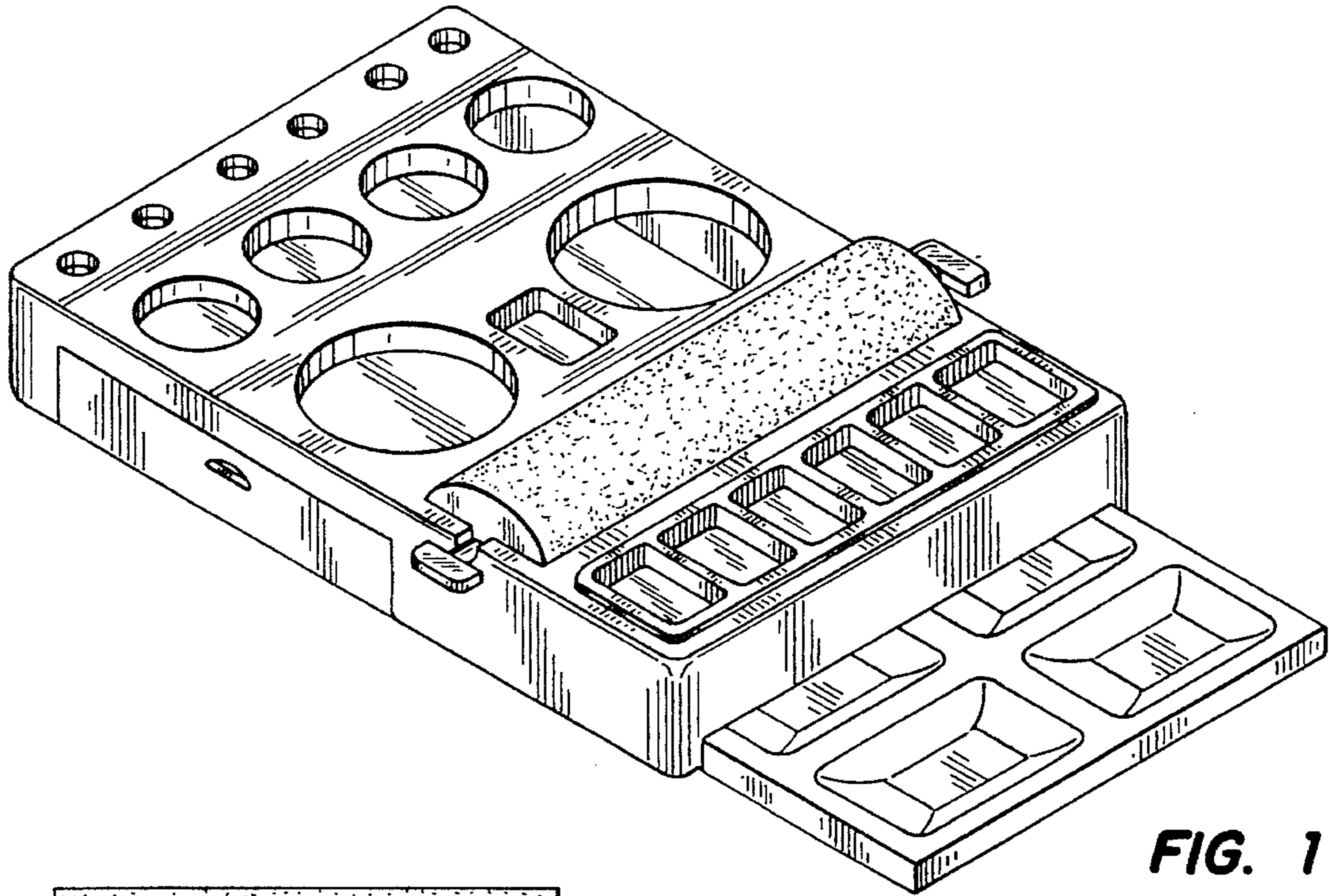


FIG. 1

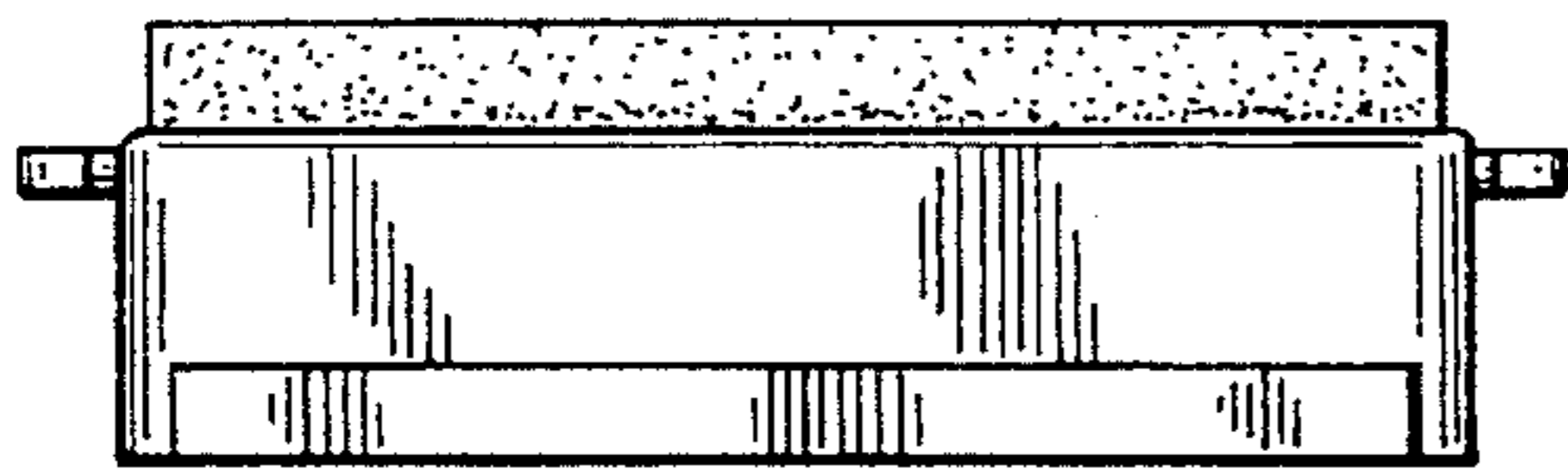


FIG. 2

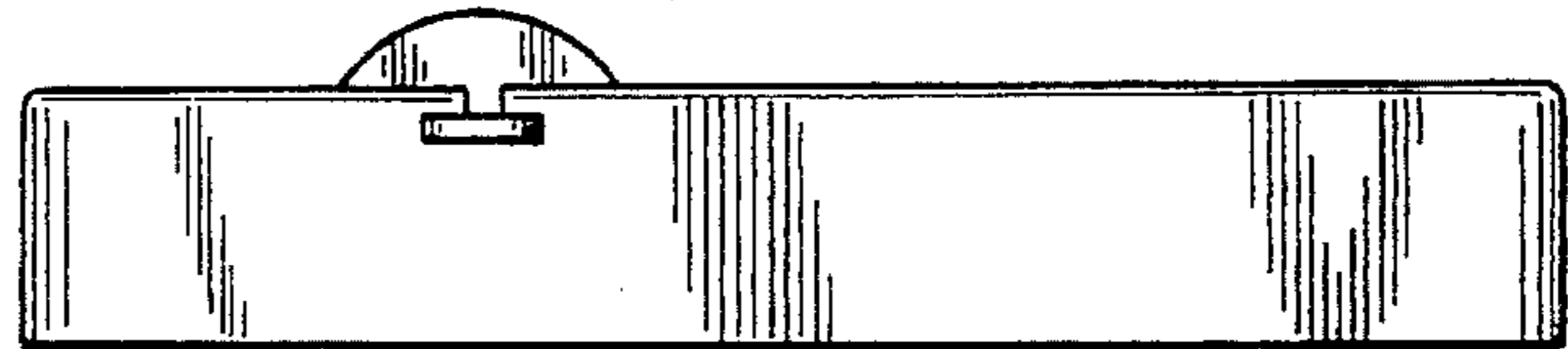


FIG. 3

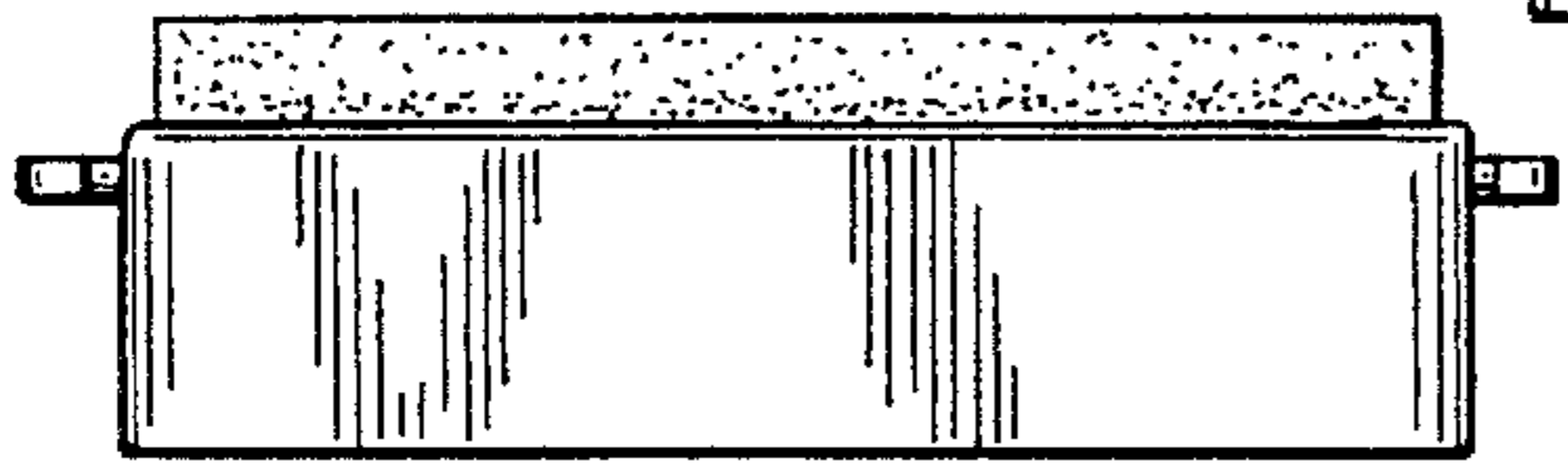


FIG. 4

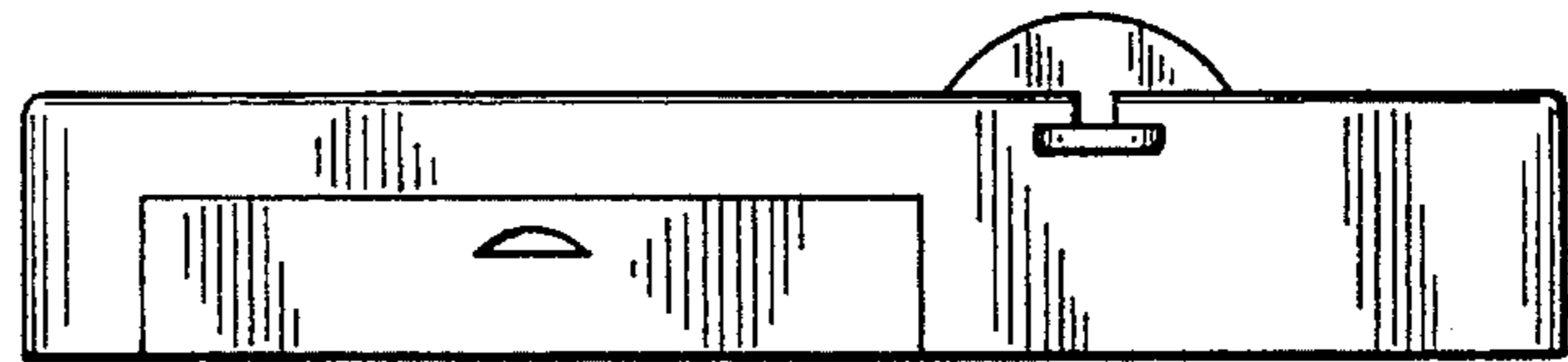


FIG. 5

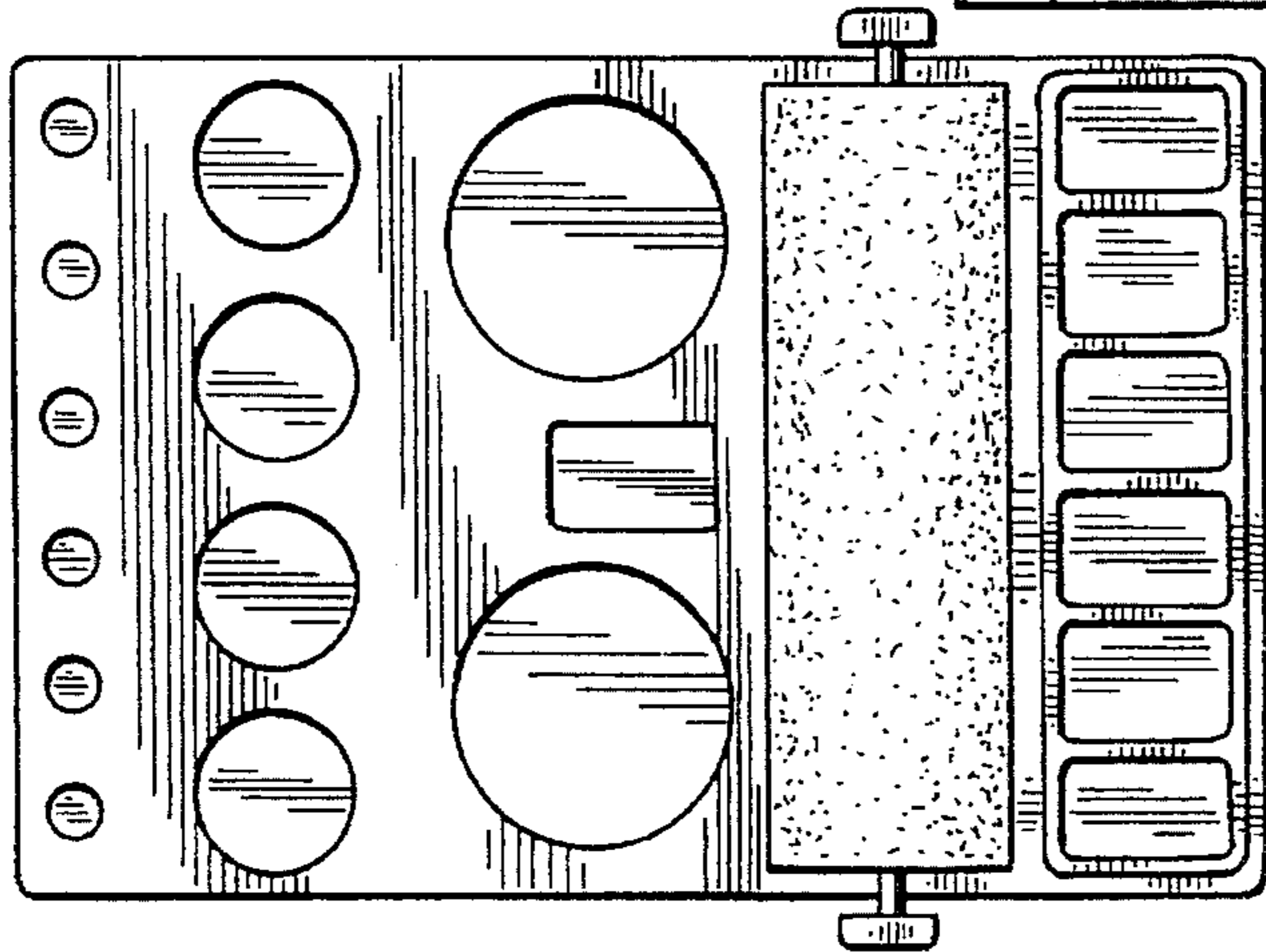


FIG. 6