



US00D368734S

**United States Patent** [19]  
**Curley**

[11] **Patent Number: Des. 368,734**  
[45] **Date of Patent: \*\*Apr. 9, 1996**

[54] **PRINTER RIBBON CARTRIDGE**

[76] Inventor: **Charles M. Curley**, 120 Brook Way,  
Ithaca, N.Y. 14850

[\*\*] Term: **14 Years**

[21] Appl. No.: **33,829**

[22] Filed: **Jan. 20, 1995**

[52] U.S. Cl. .... **D18/12**

[58] Field of Search ..... D18/12; D14/121;  
400/194, 195, 196, 207, 208

[56] **References Cited**

**U.S. PATENT DOCUMENTS**

D. 275,499	9/1984	Akazawa	.....	D18/12
D. 280,210	8/1985	Ledoux	.....	D18/12
D. 319,837	9/1991	Urawa	.....	D18/12
4,388,006	6/1983	Waibel	.....	400/196 X

*Primary Examiner*—Alan P. Douglas  
*Assistant Examiner*—S. Snapp  
*Attorney, Agent, or Firm*—Barnard, Brown & Michaels

[57] **CLAIM**

The ornamental design for a printer ribbon cartridge, as shown.

**DESCRIPTION**

FIG. 1 is a perspective view of the ribbon cartridge of the invention;  
FIG. 2 is a top view of the ribbon cartridge of the invention;  
FIG. 3 is a left side view of the ribbon cartridge of the invention;  
FIG. 4 is a right side view of the ribbon cartridge of the invention; and,  
FIG. 5 is a bottom view of the ribbon cartridge of the invention.

**1 Claim, 2 Drawing Sheets**

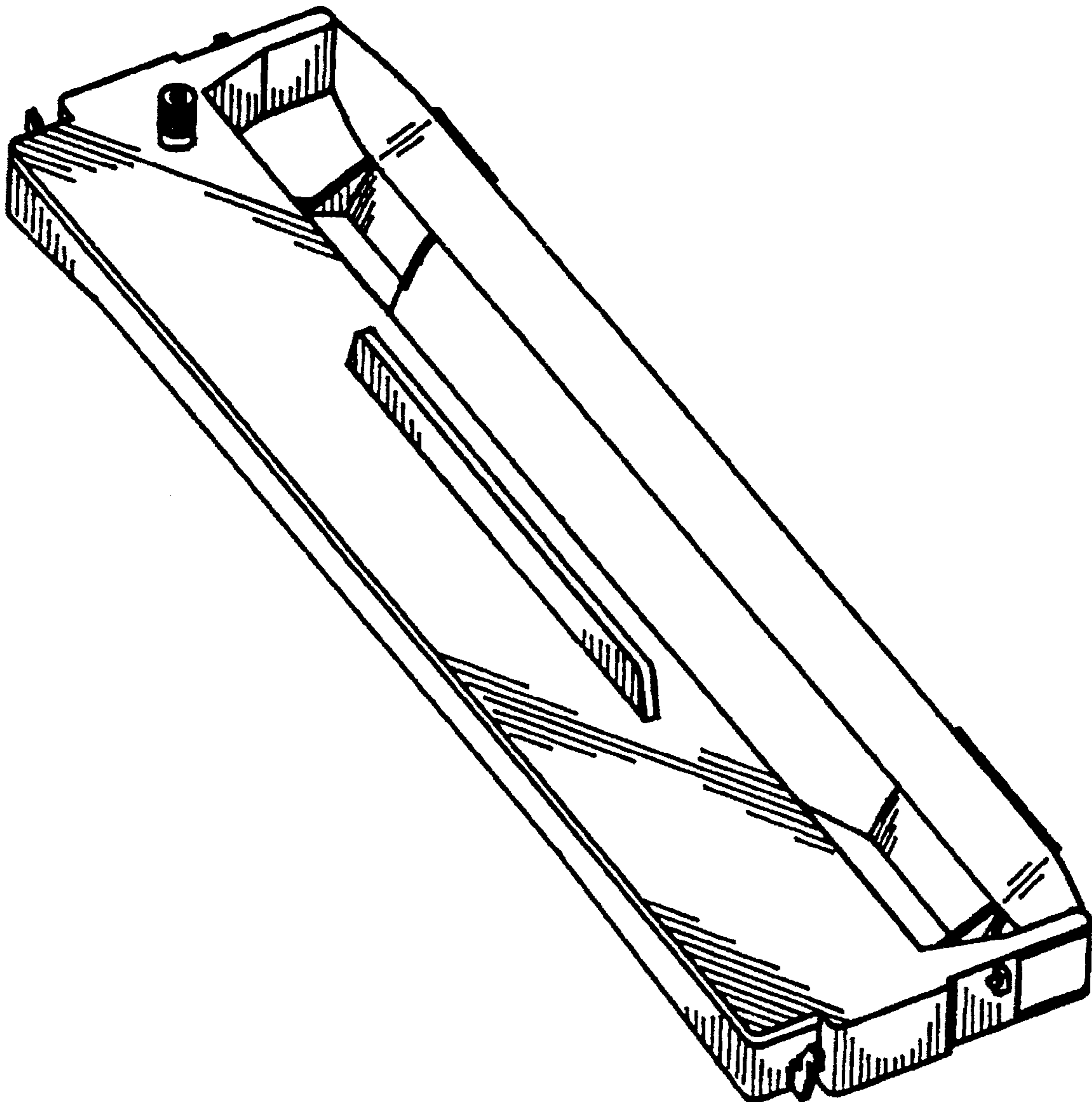


Fig.1

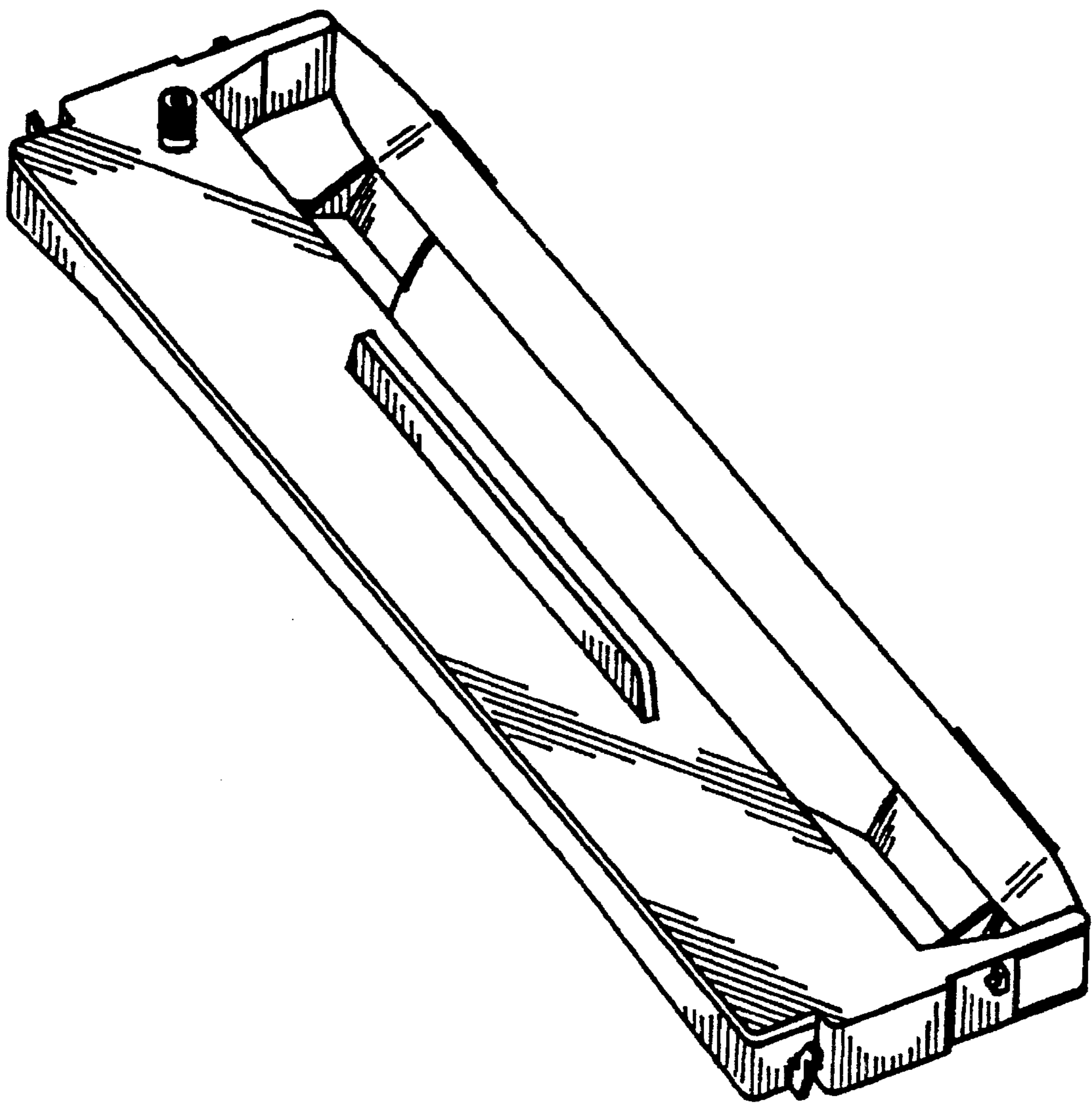


Fig. 2

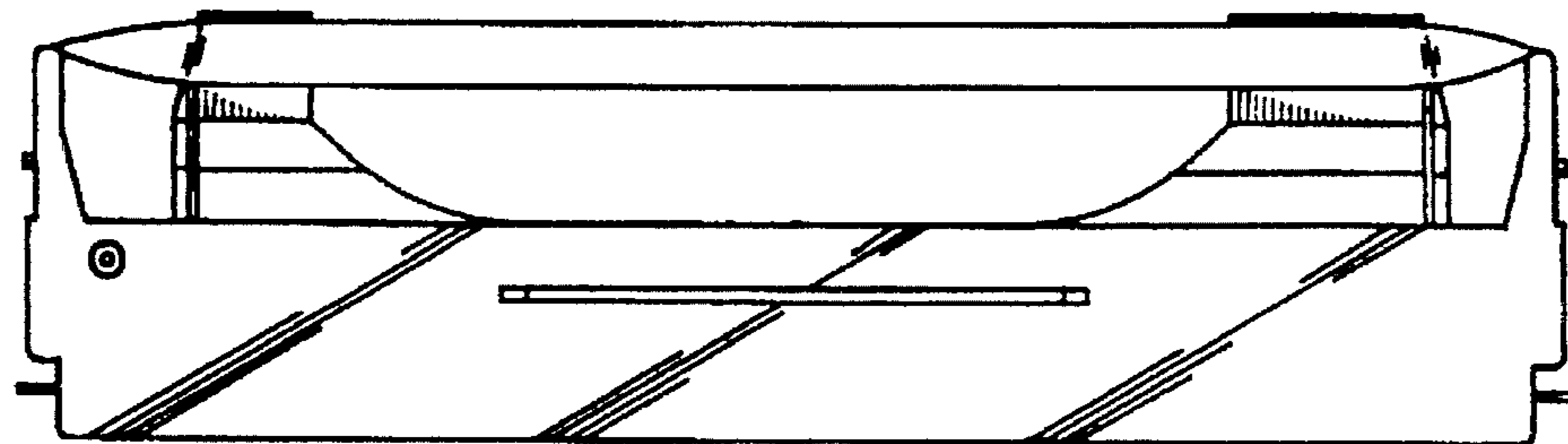


Fig. 3

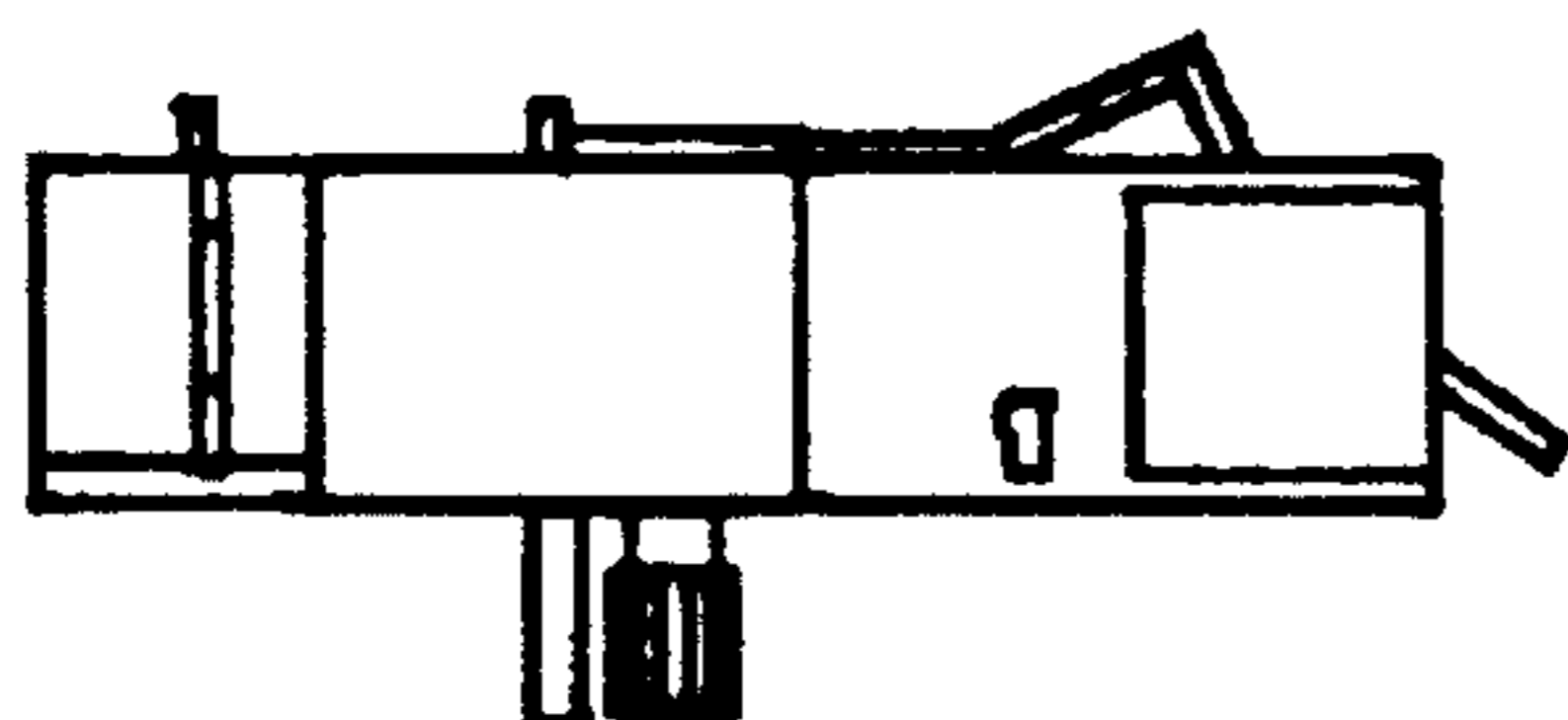


Fig. 4

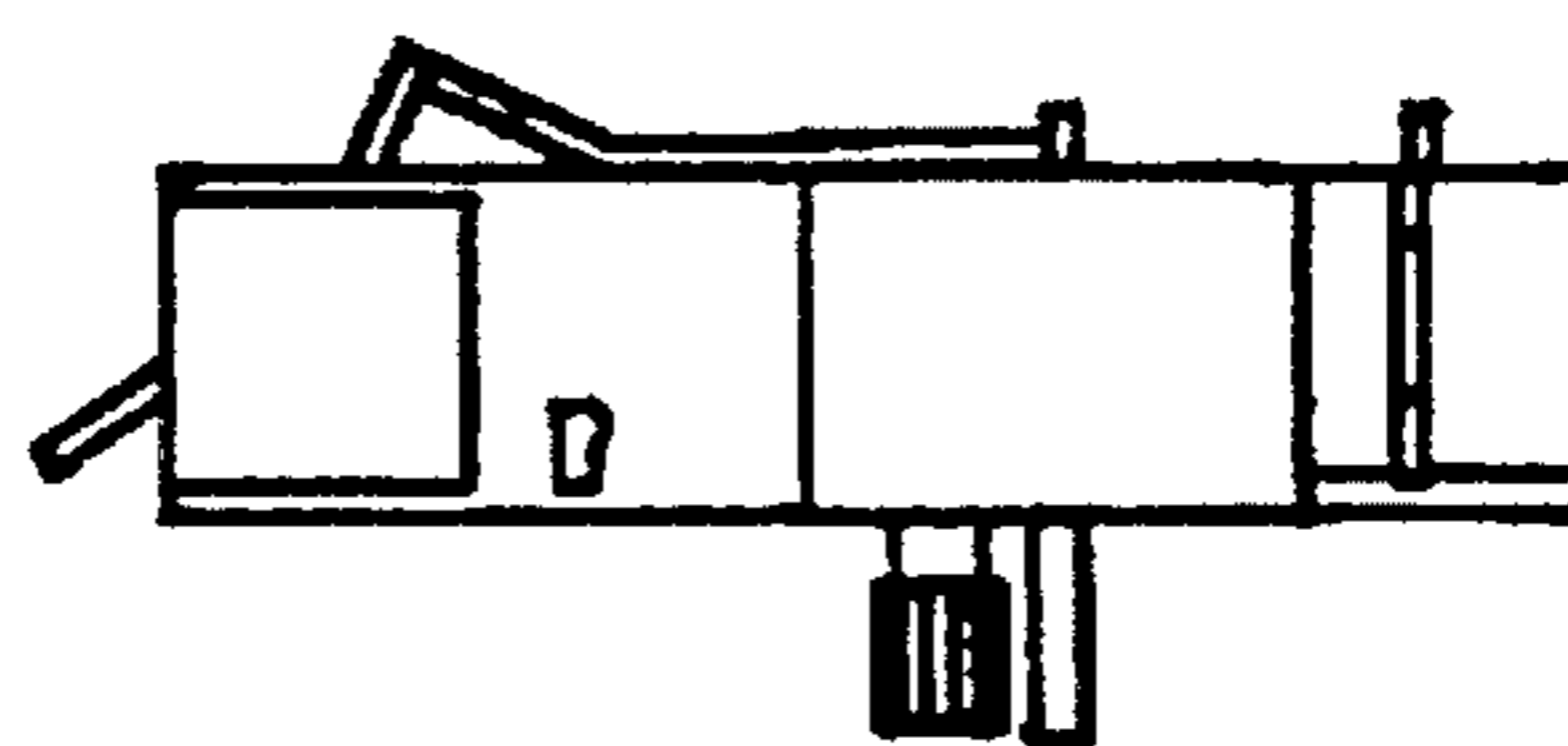


Fig. 5

