



US00D368731S

United States Patent [19]
Shen

[11] **Patent Number: Des. 368,731**
[45] **Date of Patent: **Apr. 9, 1996**

[54] **TABLE-TOP TRIPOD**

Attorney, Agent, or Firm—Birch, Stewart, Kolasch & Birch

[76] **Inventor: Jack Shen**, 6F, No.416, Sec.4, Jen Ai Rd., Taipei, Taiwan

[57] **CLAIM**

[**] **Term: 14 Years**

The ornamental design for a table-top tripod, as shown and described.

[21] **Appl. No.: 20,210**

DESCRIPTION

[22] **Filed: Mar. 21, 1994**

[52] **U.S. Cl. D16/244**

FIG. 1 is the perspective view of a design for table-top tripod showing my design;

[58] **Field of Search D16/244, 245; 248/168-171; 354/81, 293**

FIG. 2 is the front elevational view thereof;

FIG. 3 is the rear elevational view thereof;

[56] **References Cited**

U.S. PATENT DOCUMENTS

D. 300,037	2/1989	Jones et al.	D16/244
D. 335,298	5/1993	Hanke	D16/244
D. 349,914	8/1994	Usui	D16/244
3,300,165	1/1967	O'Kane	248/168
3,921,947	11/1975	Adam	248/168
5,043,750	8/1991	Yamaguchi	354/81

FIG. 4 is the left side elevational view thereof;

FIG. 5 is the right side elevational view thereof;

FIG. 6 is the top plan view thereof; and,

FIG. 7 is the bottom plan view thereof; and,

FIG. 8 is the perspective view thereof.

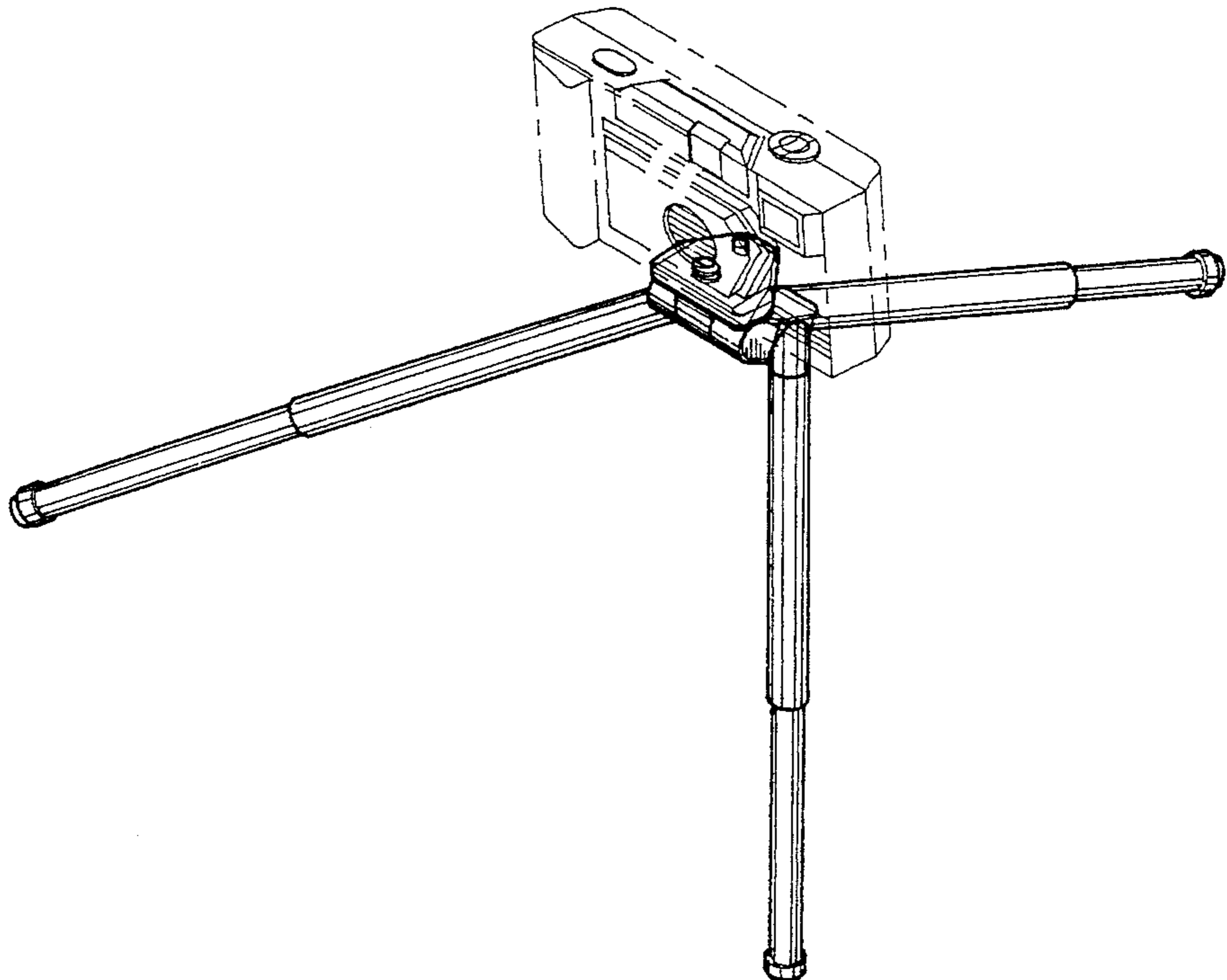
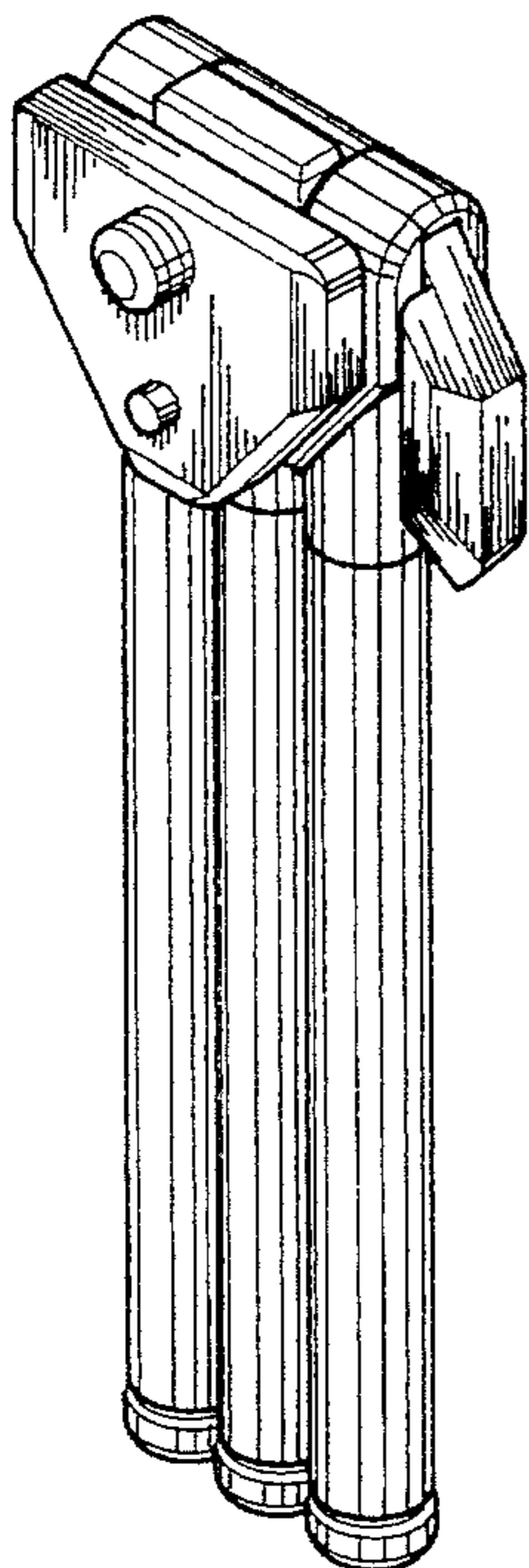
OTHER PUBLICATIONS

35MM Photography, Jun. 1985 p. 13.

The broken line showing of a camera is for illustrative purposes only and forms no part of the claimed design.

Primary Examiner—Ted Shooman
Assistant Examiner—Adir Aronovich

1 Claim, 5 Drawing Sheets



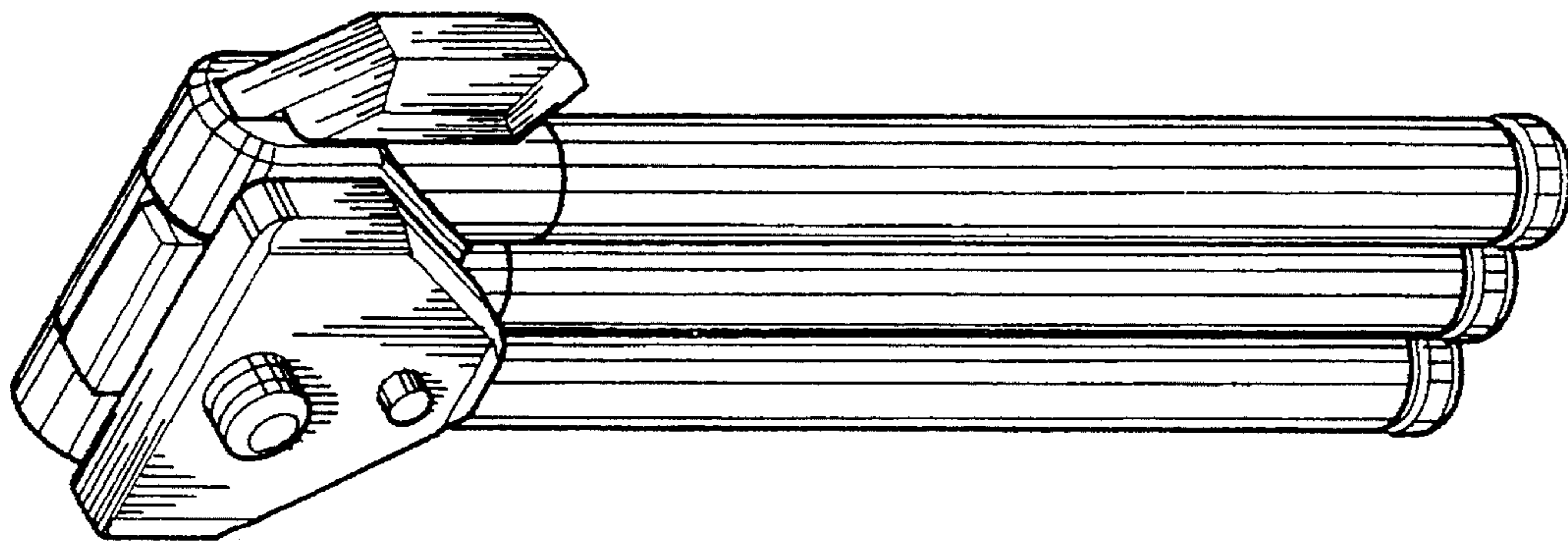


FIG. 1

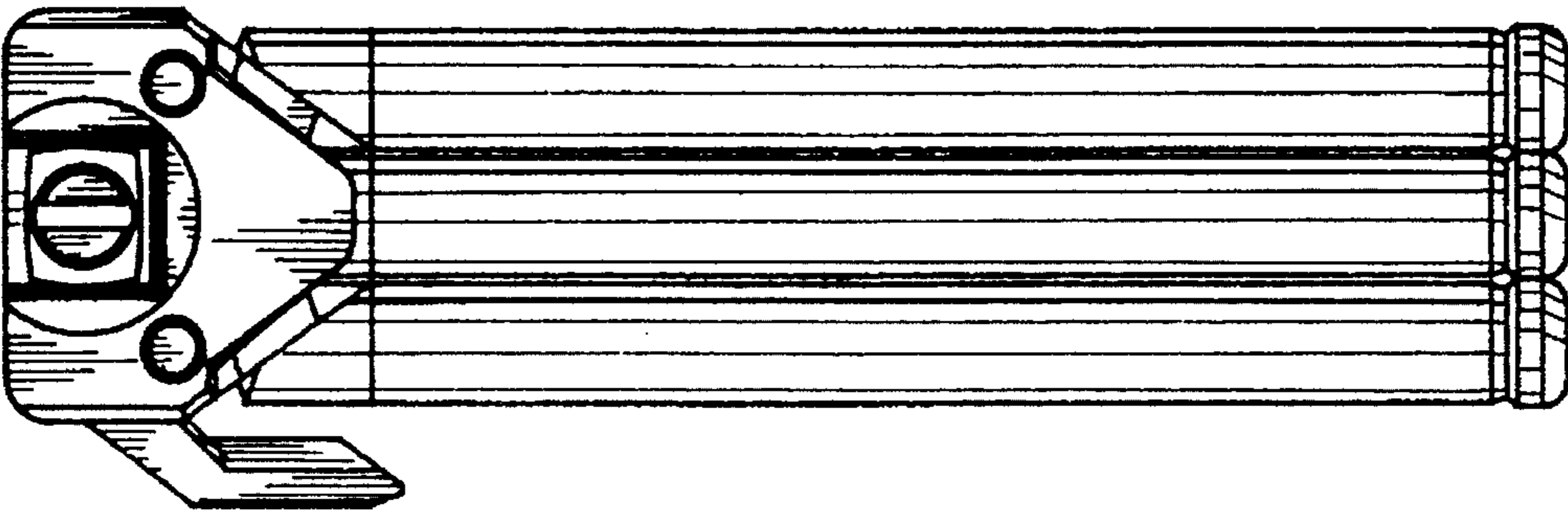


FIG. 2

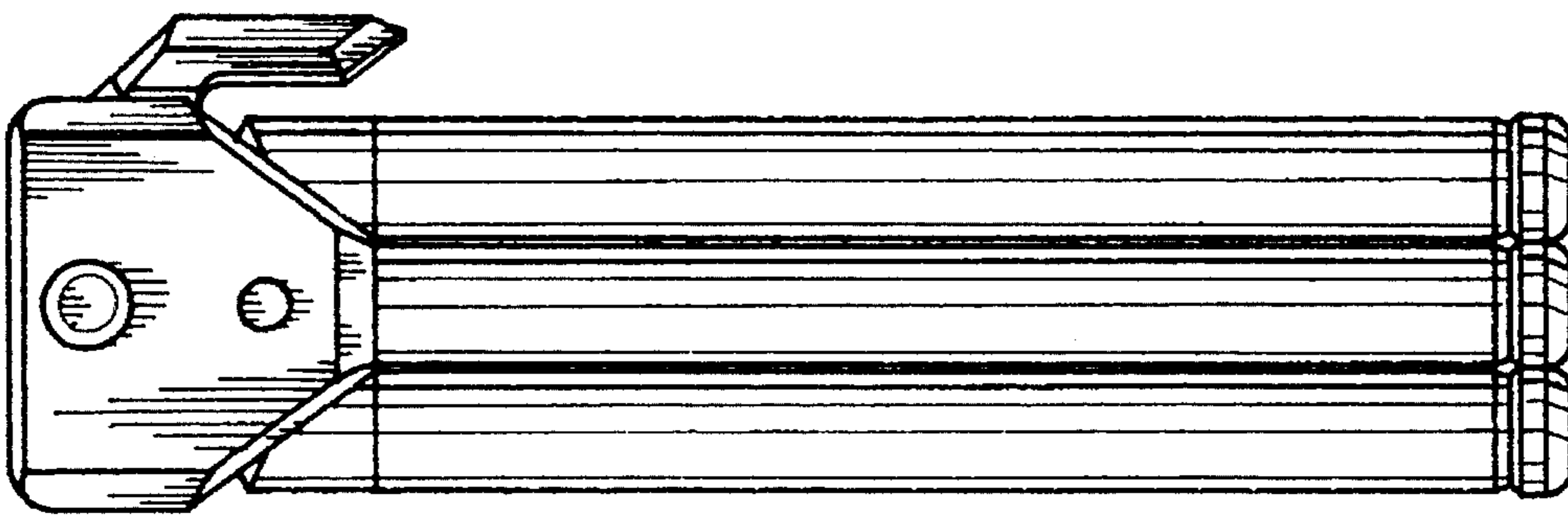


FIG. 3

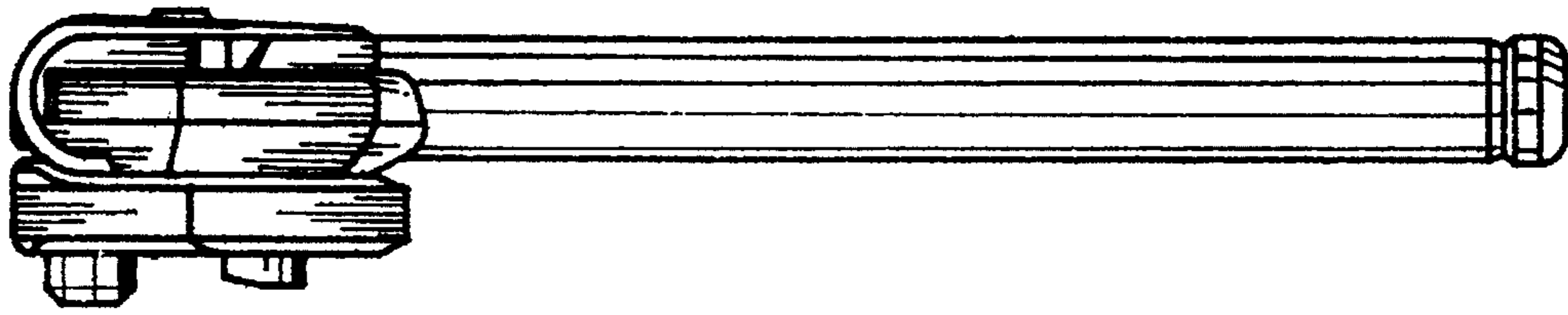


FIG.5

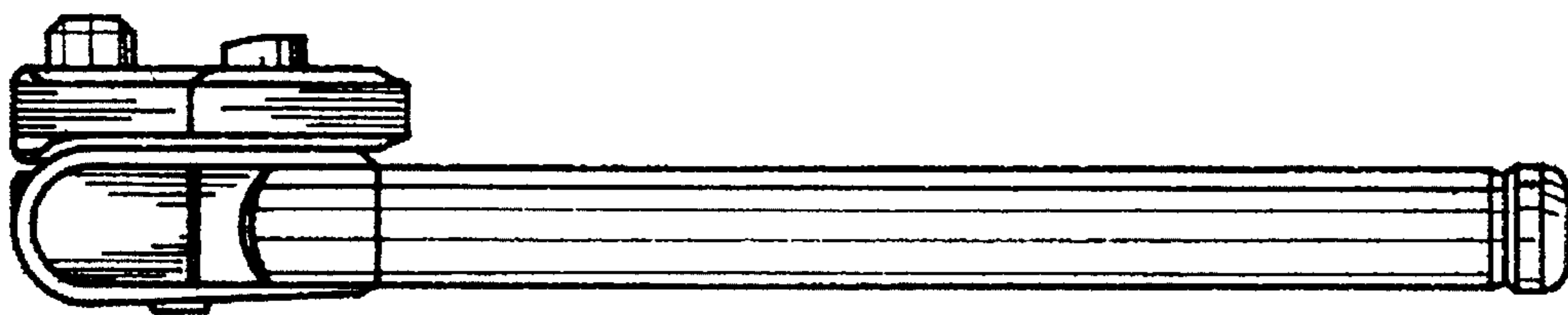


FIG.4

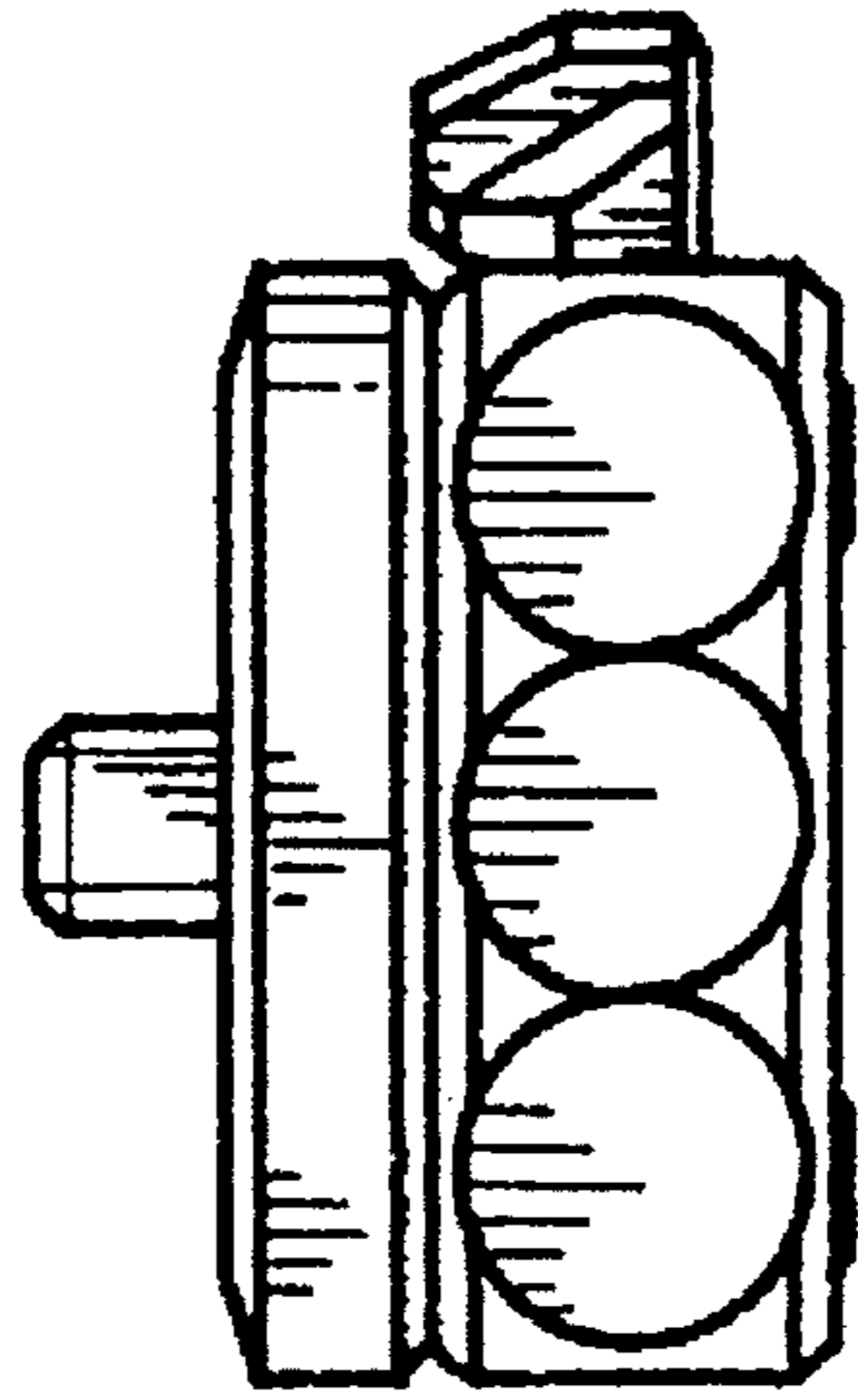


FIG. 7

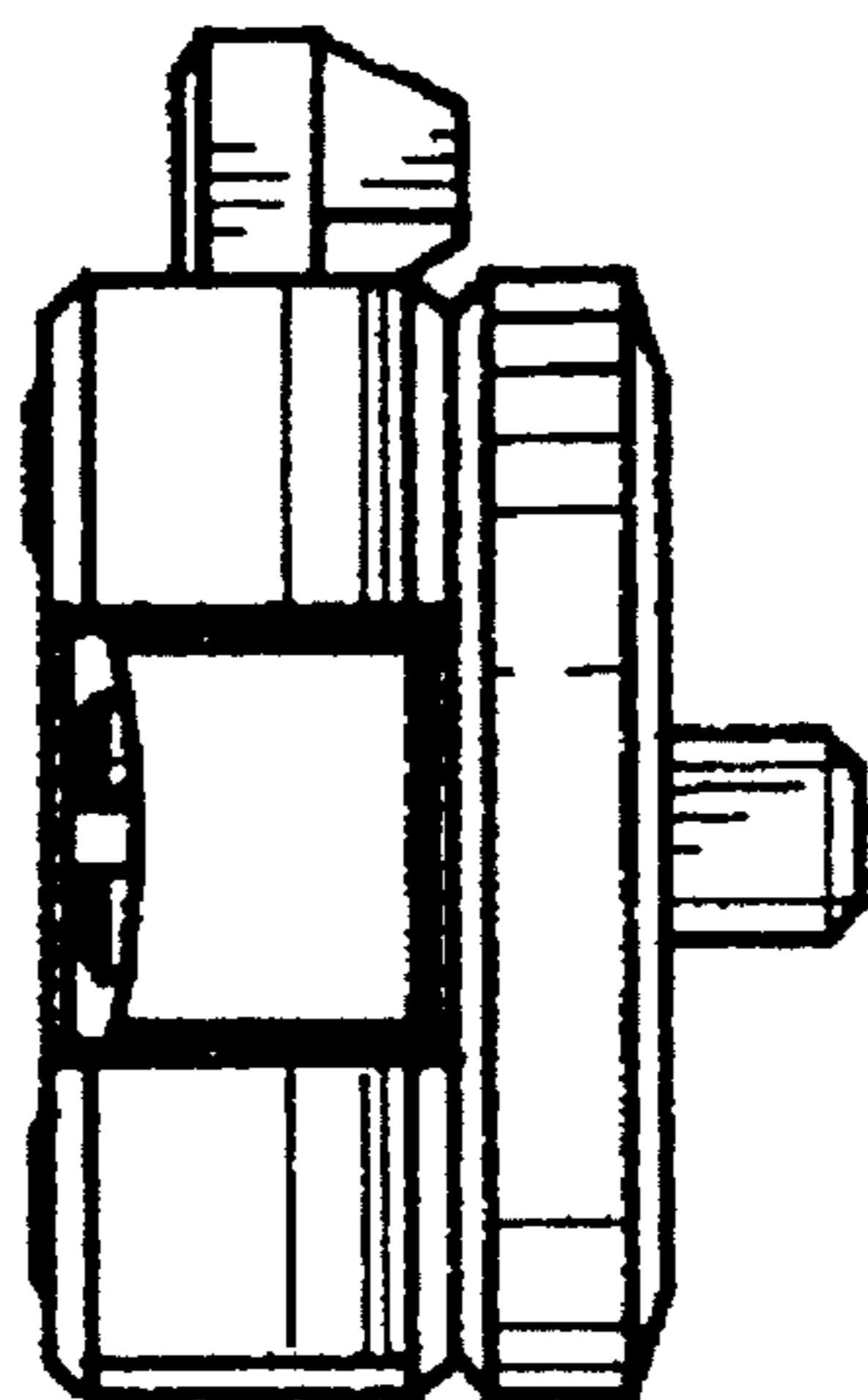


FIG. 6

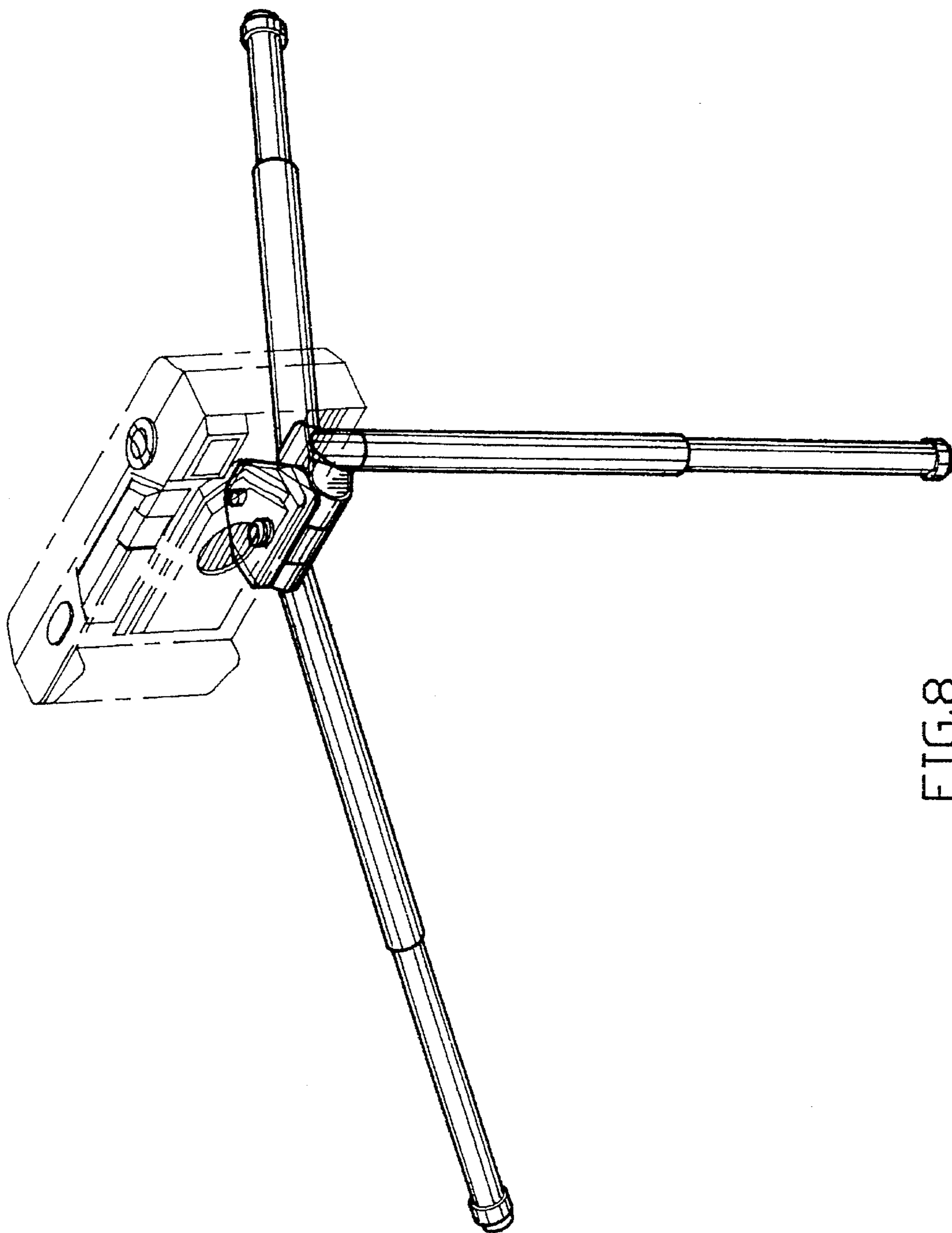


FIG. 8