



US00D368729S

United States Patent [19] Choi

[11] **Patent Number:** **Des. 368,729**
[45] **Date of Patent:** ****Apr. 9, 1996**

[54] CAMCORDER

[75] Inventor: **Byung O. Choi**, Koyang, Rep. of Korea

[73] Assignee: **Samsung Electronics Co., Ltd.**, Rep. of Korea

[**] Term: **14 Years**

[21] Appl. No.: **31,327**

[22] Filed: **Nov. 22, 1994**

[30] Foreign Application Priority Data

Jun. 28, 1994 [KR] Rep. of Korea 1994-14014

[52] U.S. Cl. **D16/202**

[58] Field of Search D16/200-205,
D16/208; 348/373-376; 352/242, 243; 354/82,
288; 358/906

[56] References Cited

U.S. PATENT DOCUMENTS

D. 334,762	4/1993	Ina et al.	D16/202
D. 342,960	1/1994	Kurata	D16/202
D. 346,615	5/1994	Sumita	D16/202
D. 356,589	3/1995	Sumita	D16/202
5,121,147	6/1992	Wada et al.	348/375

FOREIGN PATENT DOCUMENTS

4-34508	2/1992	Japan	H04N 5/225
4-47770	2/1992	Japan	H04N 5/225

OTHER PUBLICATIONS

Ritz Camera Catalog, p. 7 (Sony's CCD-TR7).
Video Magazin, Jan. 1993 p. 3 (Yashica's Hi8 KX-H3).

Primary Examiner—Ted Shooman

Assistant Examiner—Adir Aronovich

Attorney, Agent, or Firm—Irving Keschner

[57] CLAIM

The ornamental design for a camcorder, as shown.

DESCRIPTION

FIG. 1 is a front and right side perspective view of a camcorder showing my new design; FIG. 2 is a top plan view thereof; FIG. 3 is a bottom plan view thereof; FIG. 4 is a front elevation view thereof; FIG. 5 is a rear elevational view thereof; FIG. 6 is a left side elevational view thereof; and, FIG. 7 is a right side elevational view thereof.

1 Claim, 2 Drawing Sheets

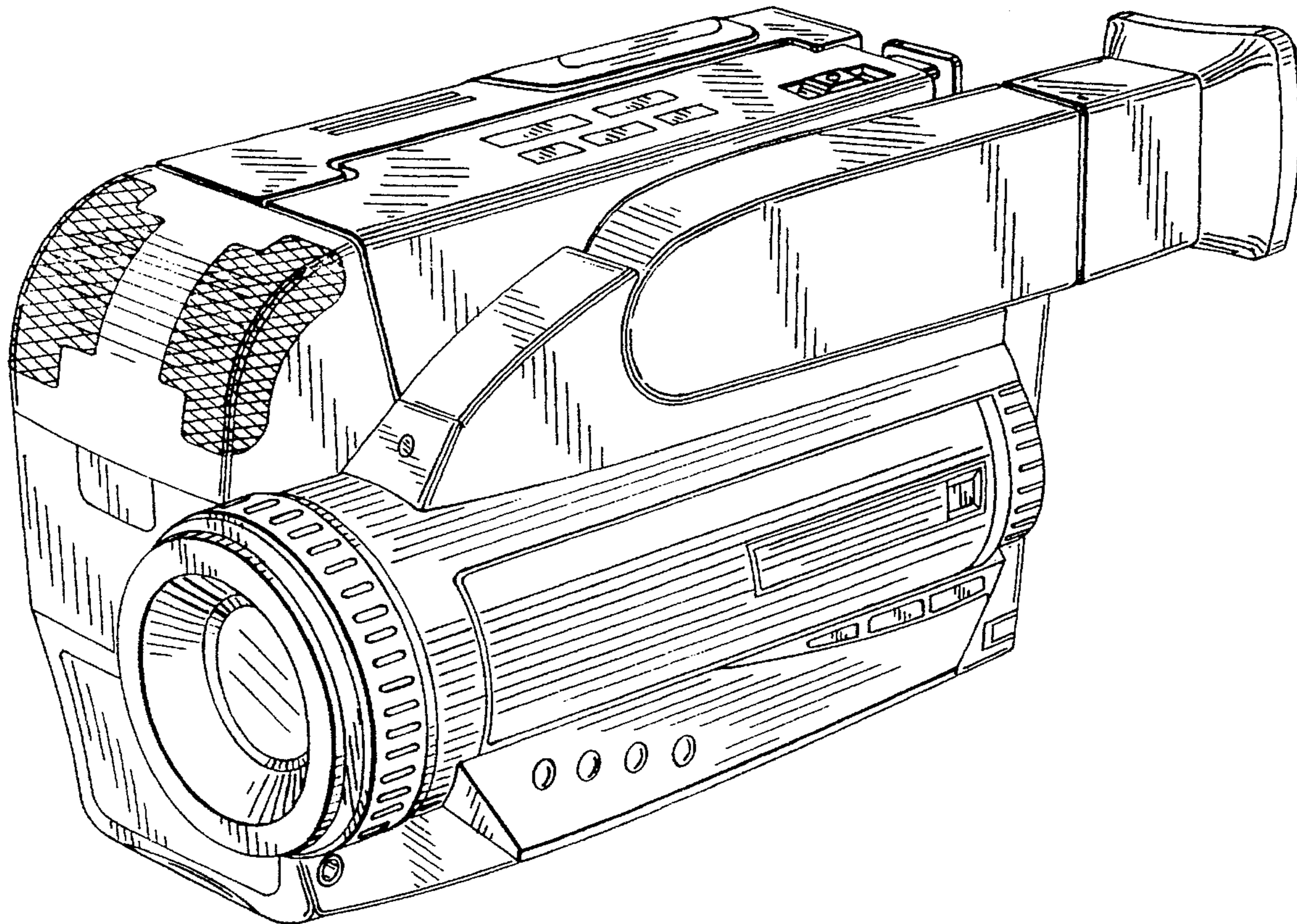


FIG. 1

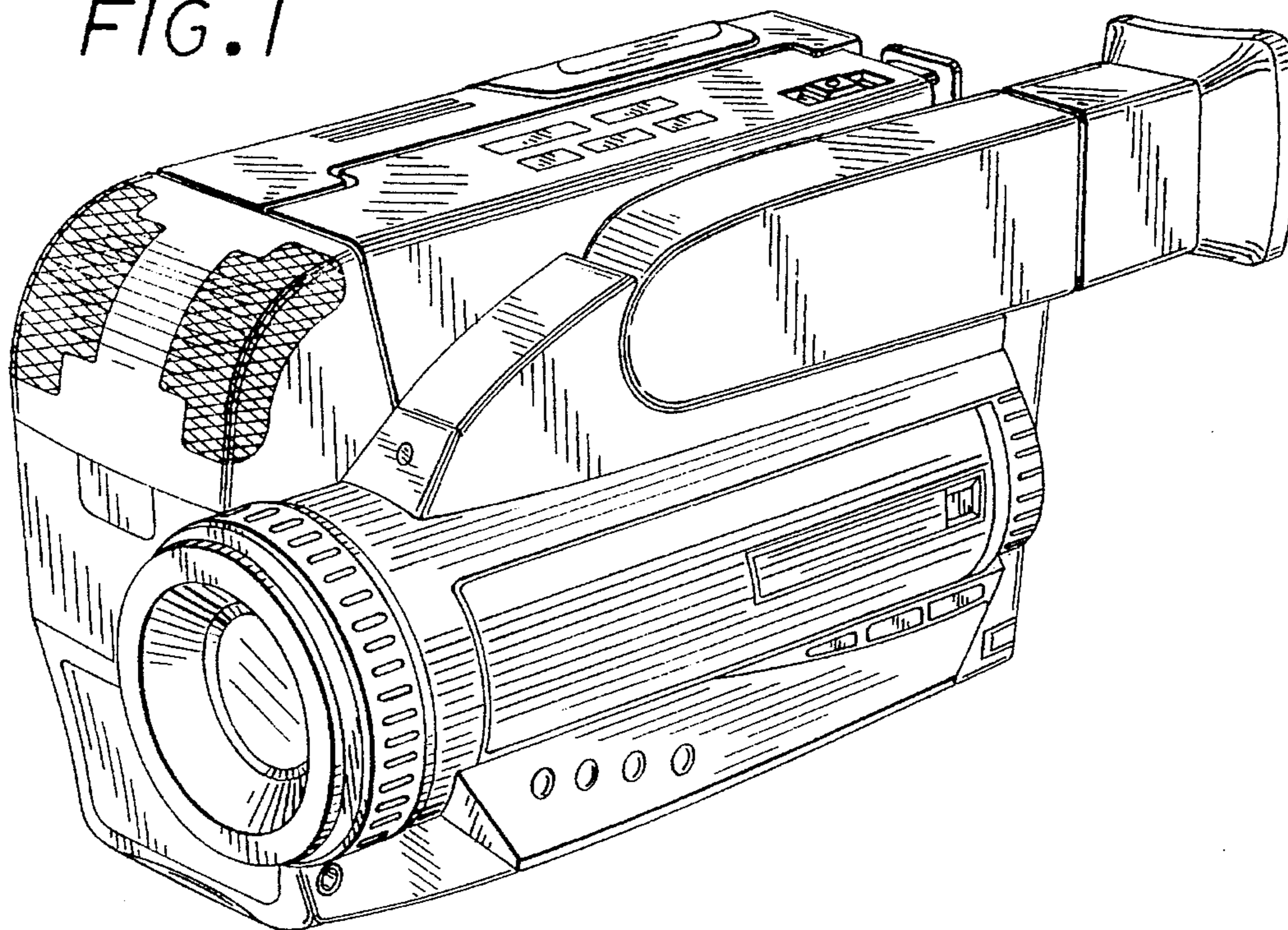


FIG. 2

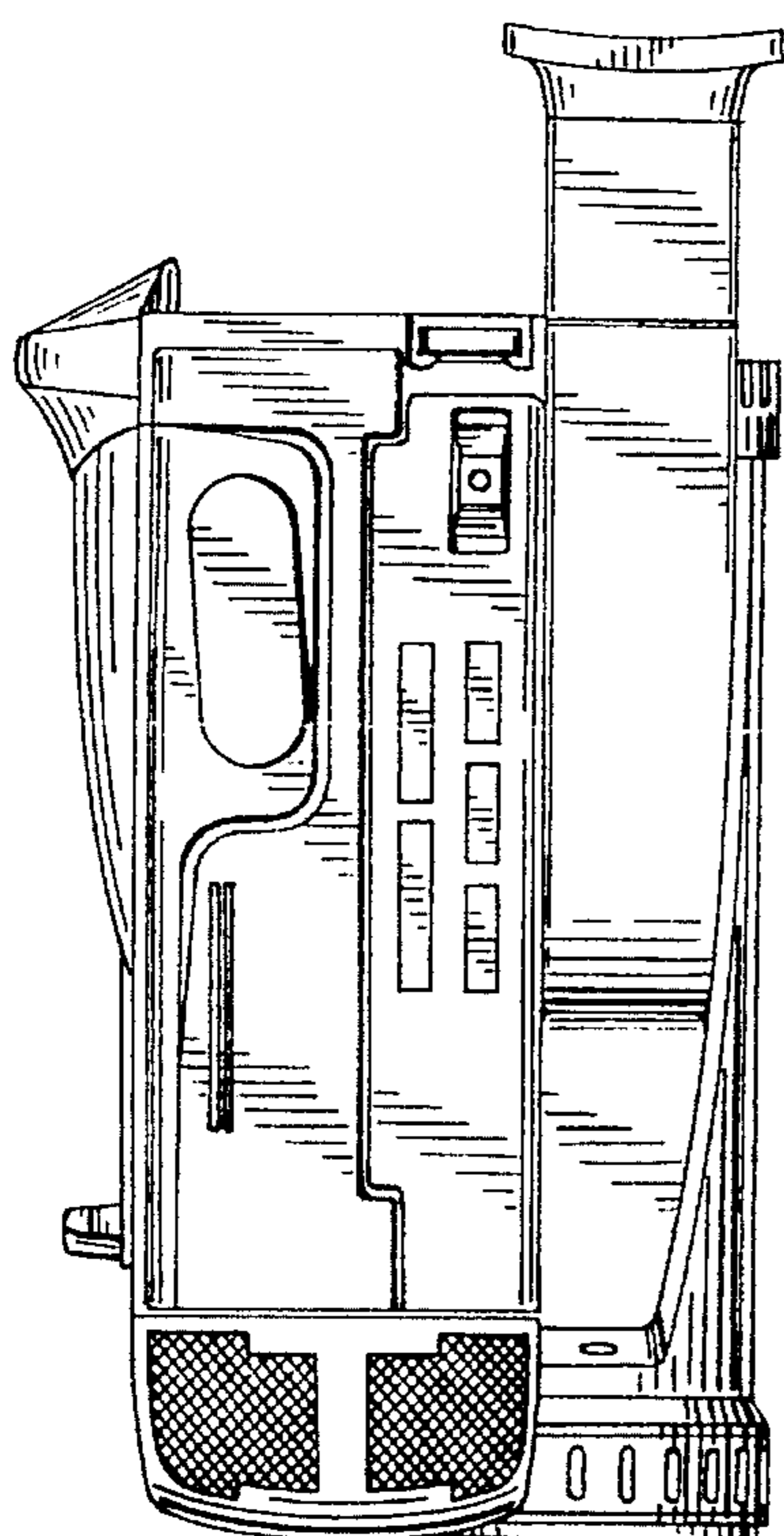


FIG. 3

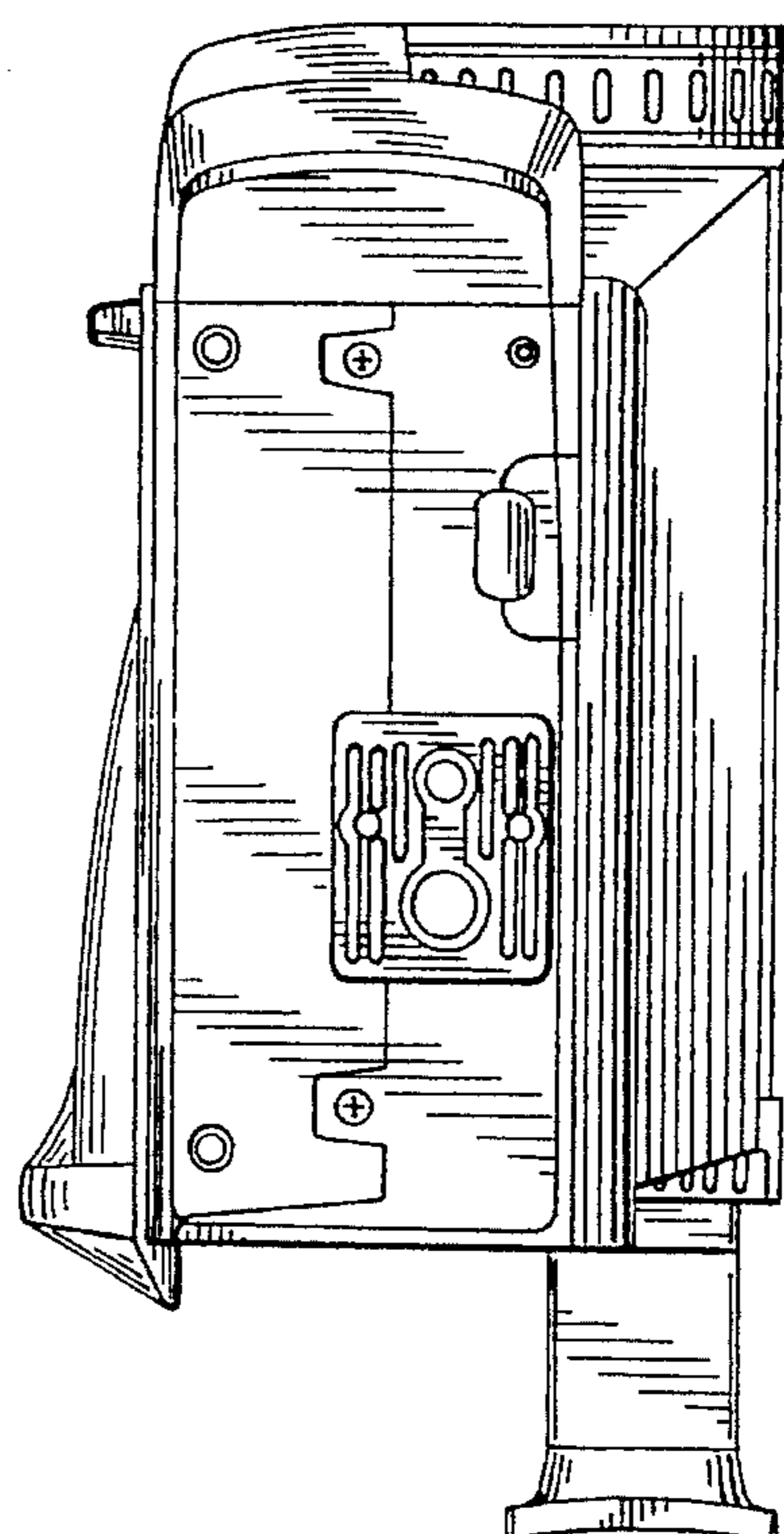


FIG. 4

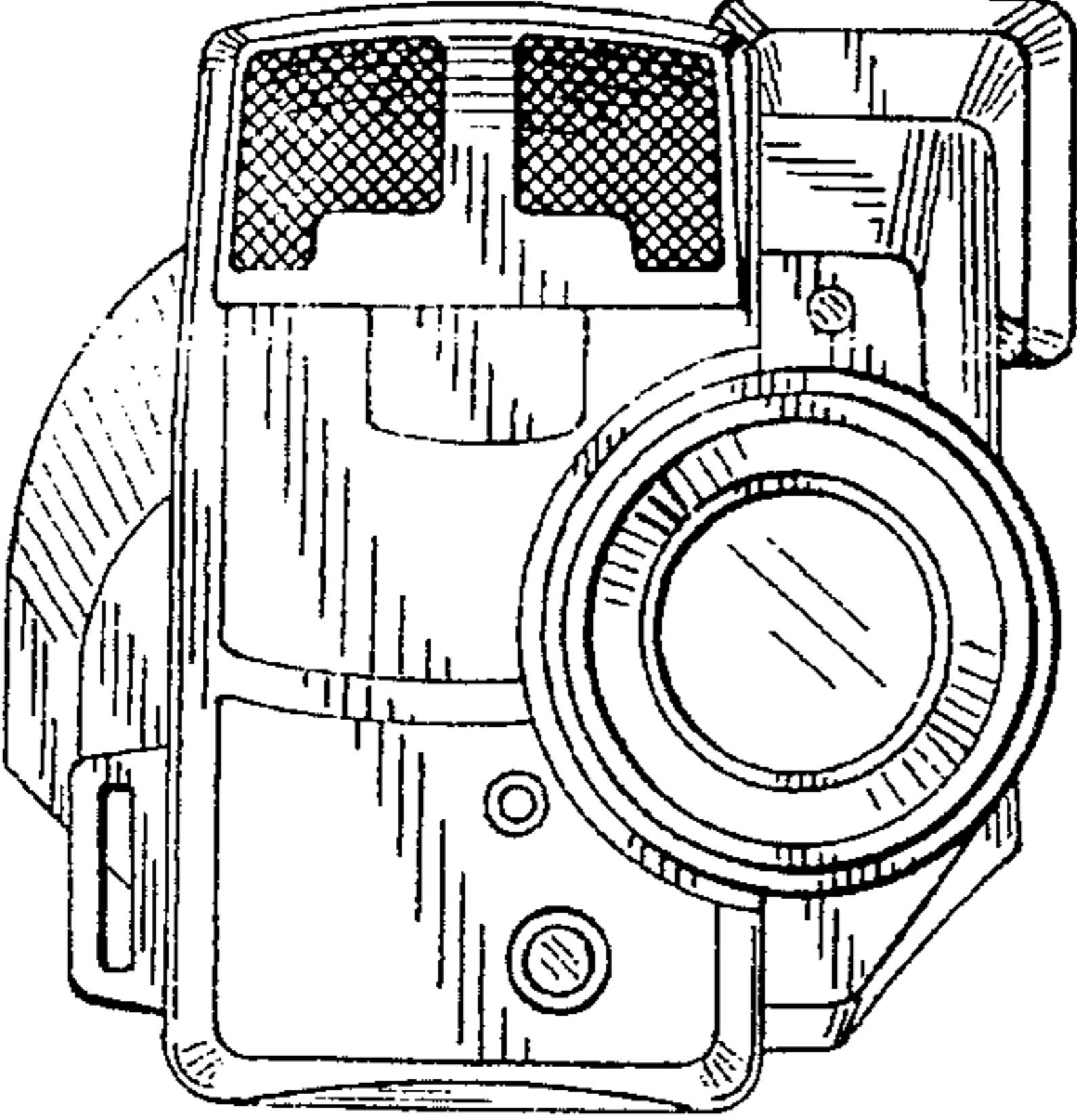


FIG. 5

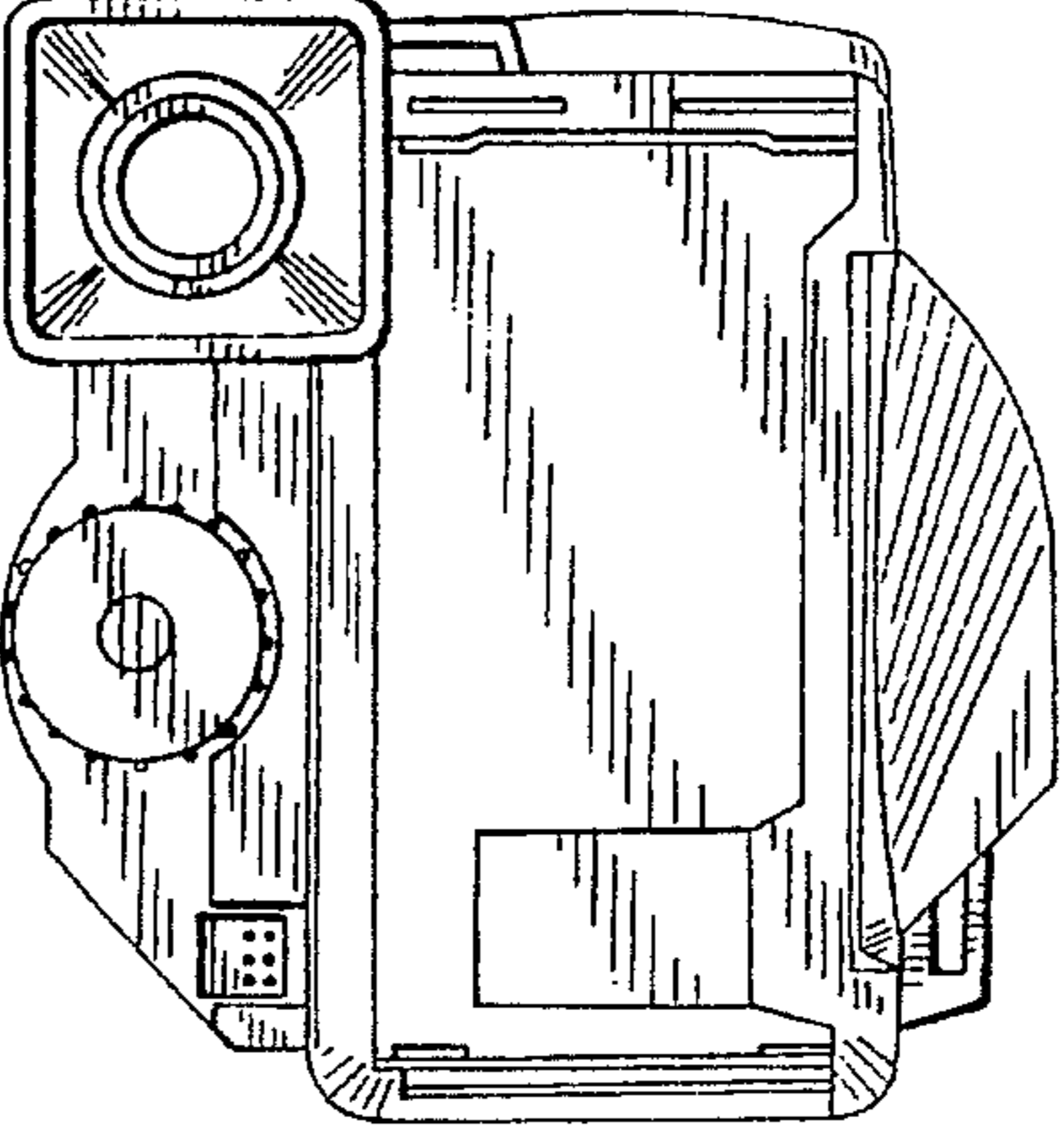


FIG. 6

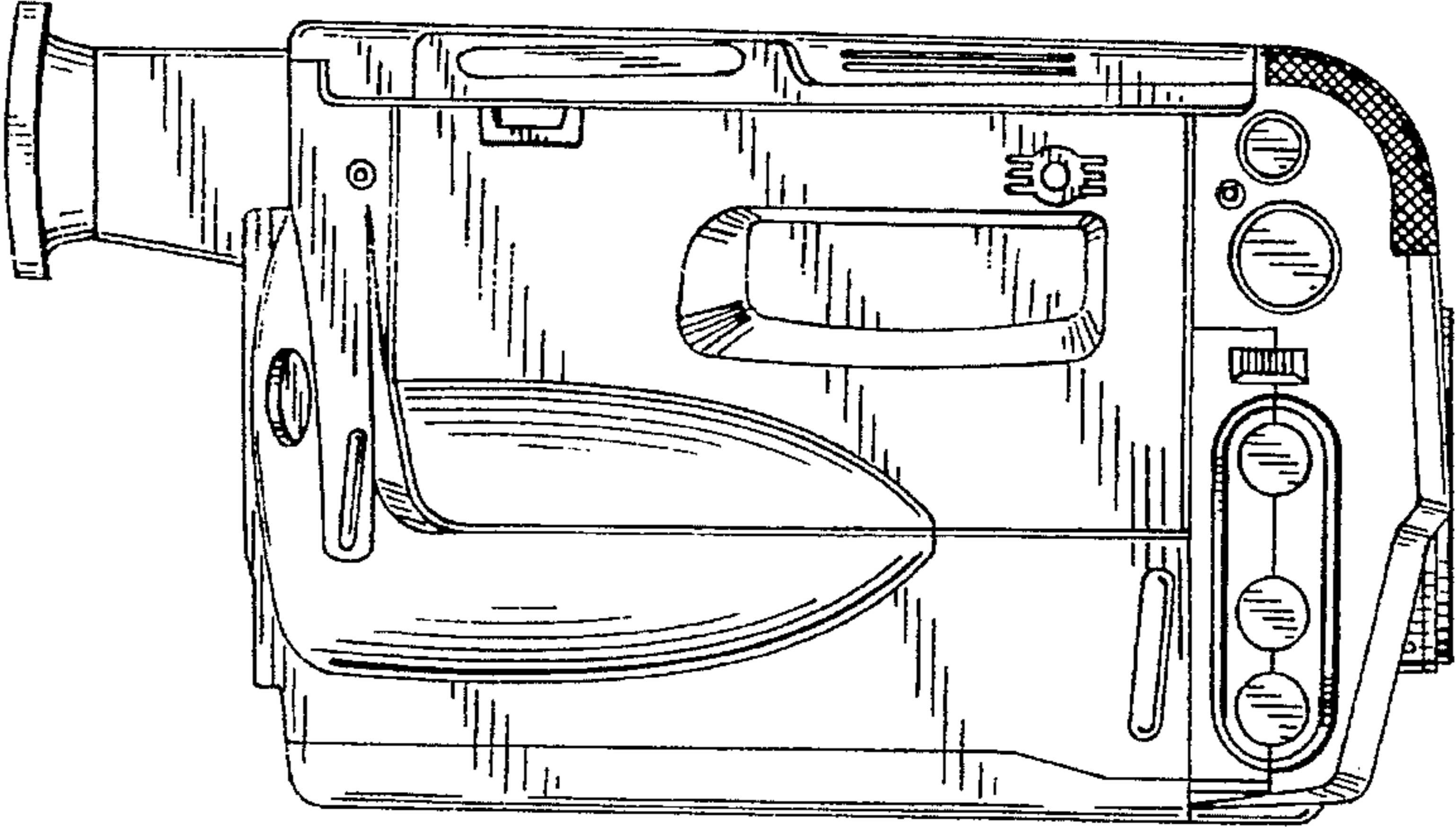


FIG. 7

