



US00D368727S

United States Patent [19] Stevens

[11] Patent Number: **Des. 368,727**
[45] Date of Patent: ****Apr. 9, 1996**

[54] **ENVELOPE INSERTER MACHINE**
[76] Inventor: **Kenneth A. Stevens**, 23W216 Dickens Ave., Glen Ellyn, Ill. 60137

4,667,457 5/1987 Rogovin et al. 53/569
4,720,960 1/1988 Green 53/284.3 X

[**] Term: **14 Years**

Primary Examiner—Antoine Duval Davis
Attorney, Agent, or Firm—David C. Brezina; Lee, Mann, Smith, McWilliams, Sweeney & Ohlson

[21] Appl. No.: **27,265**

[57] **CLAIM**

[22] Filed: **Aug. 17, 1994**

The ornamental design for an envelope inserter machine, as shown and described.

[52] U.S. Cl. **D15/145; D15/199**

[58] Field of Search D15/145, 199;
D18/51, 99; 53/284.3, 381.1, 467, 468,
473, 474, 475, 510, 569; 364/464.01, 464.02,
464.03, 464.04

DESCRIPTION

FIG. 1 is a top perspective view of an envelope inserter machine showing my new design;
FIG. 2 is a front plan view thereof;
FIG. 3 is a rear plan view thereof;
FIG. 4 is a left side elevational view thereof; and,
FIG. 5 is a right side elevational view thereof.

[56] **References Cited**

U.S. PATENT DOCUMENTS

D. 243,712 3/1977 Morris et al. D18/51
D. 327,906 7/1992 Pike et al. D18/51

1 Claim, 2 Drawing Sheets

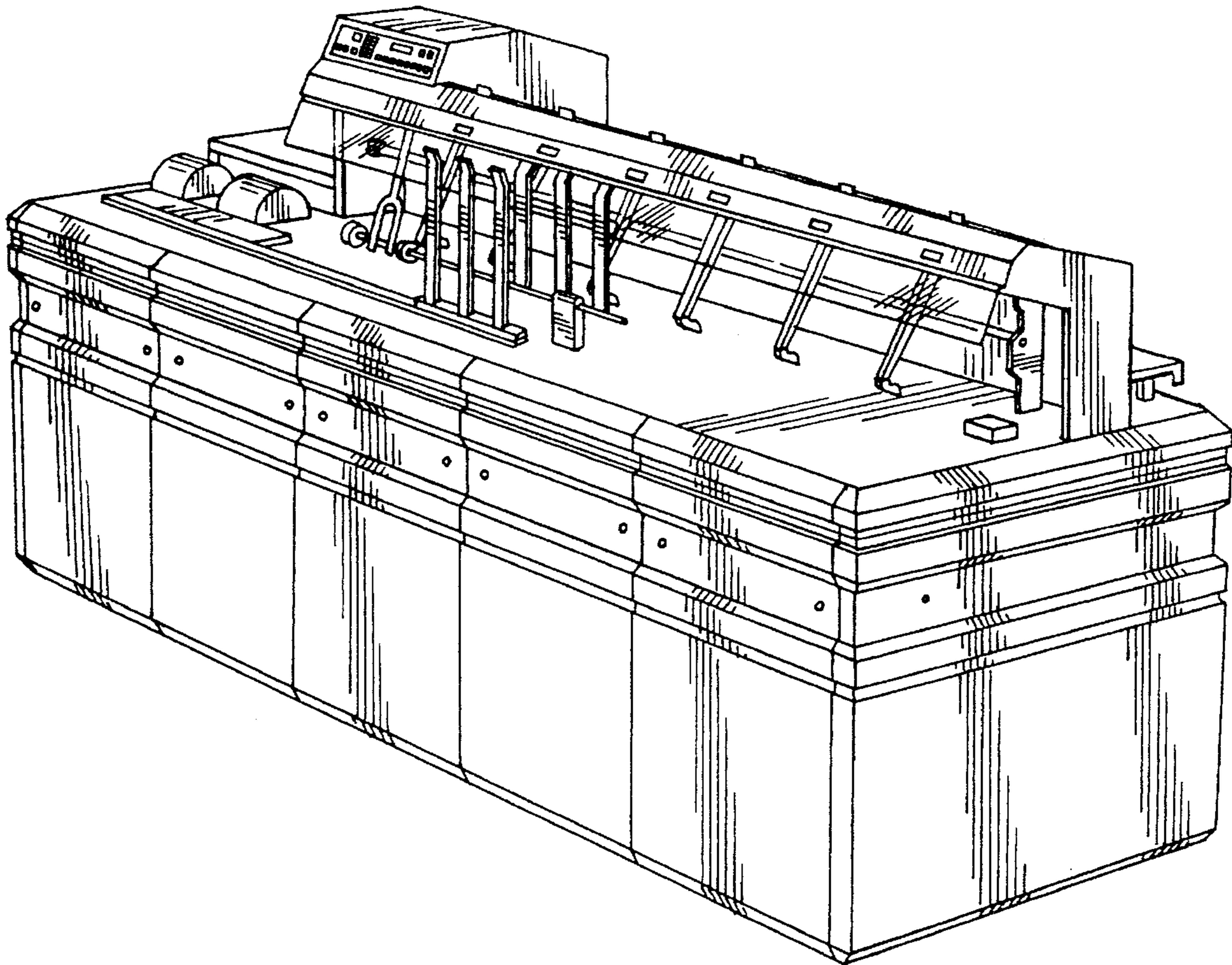


FIG. 1

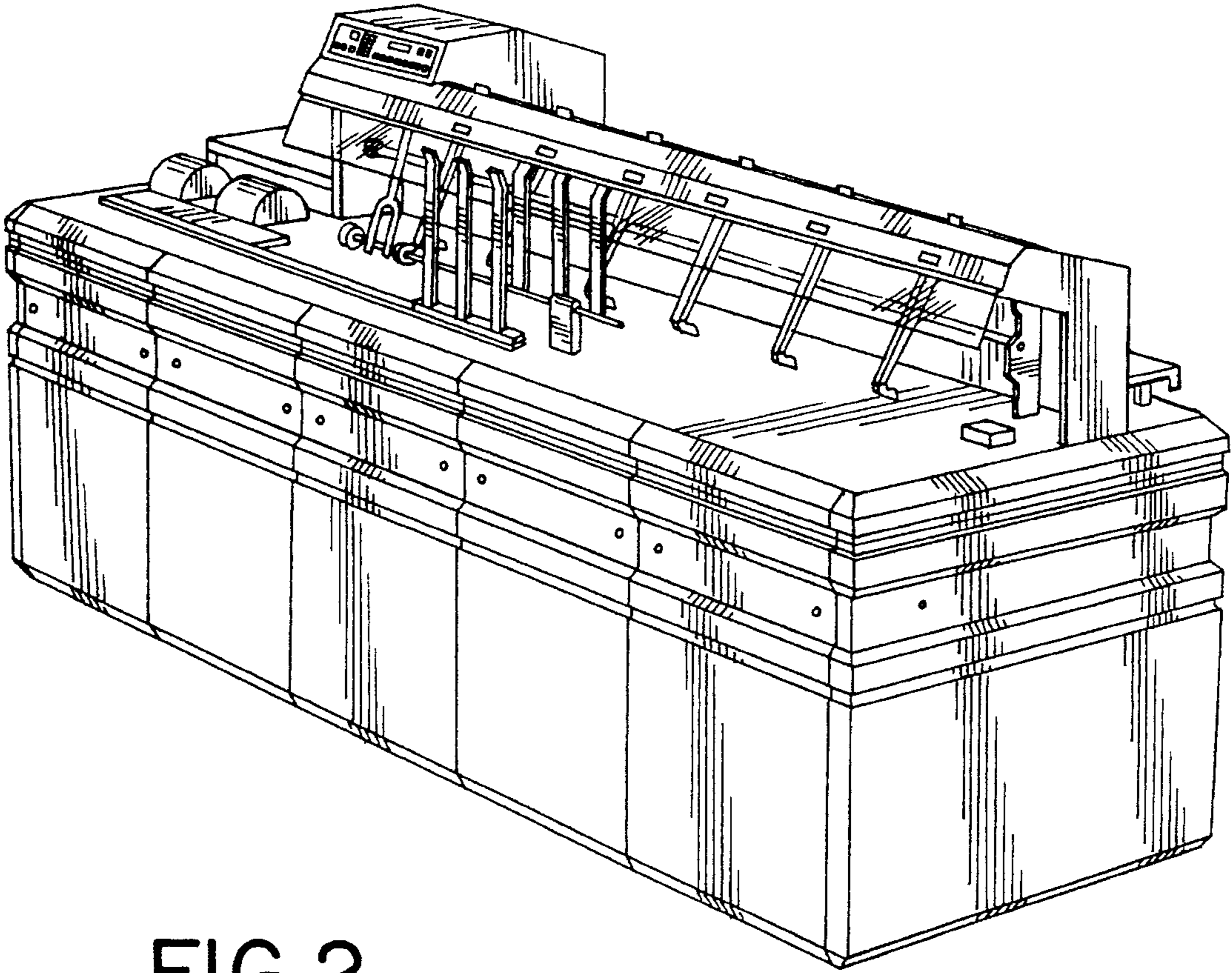


FIG. 2

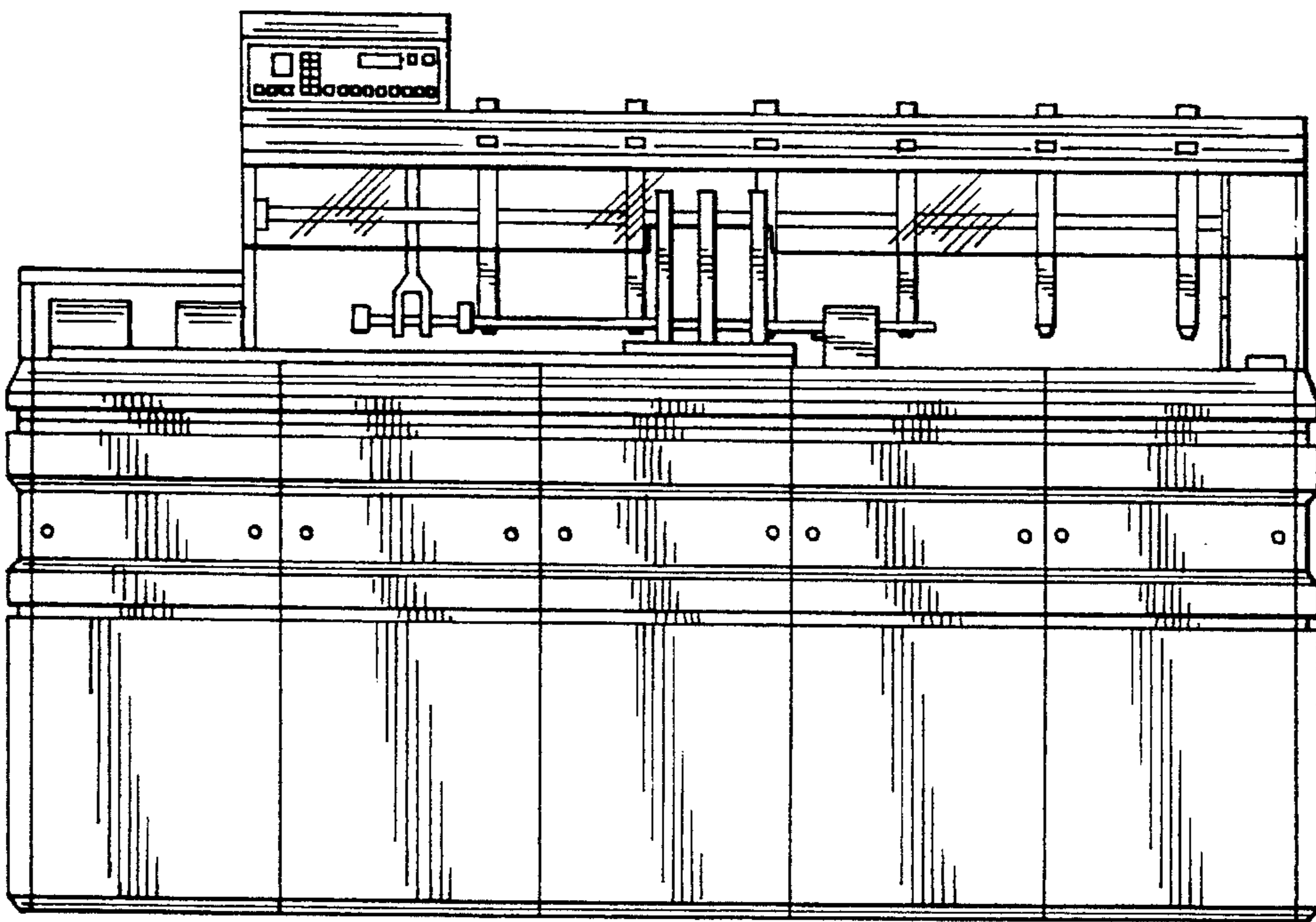


FIG. 3

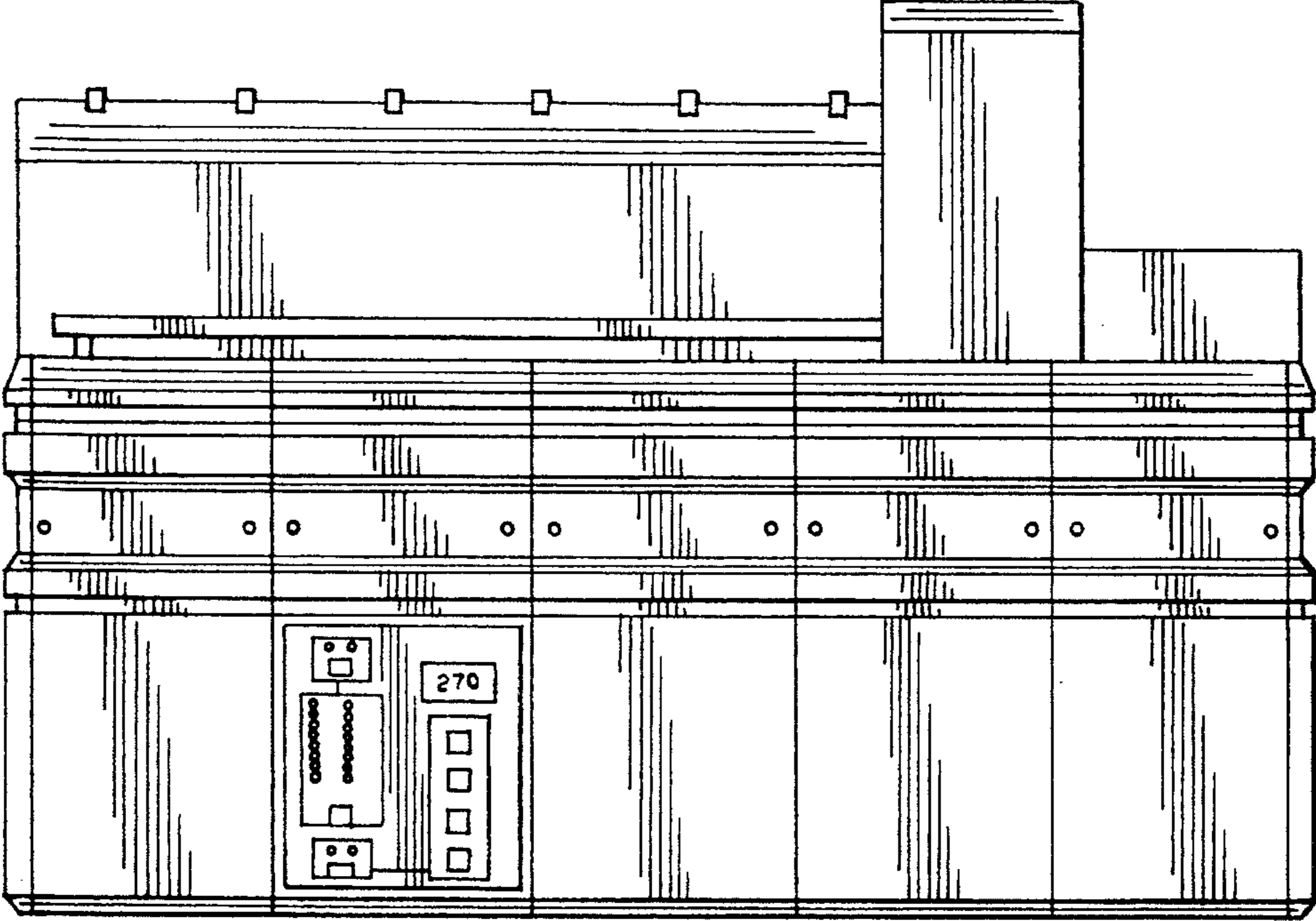


FIG. 4

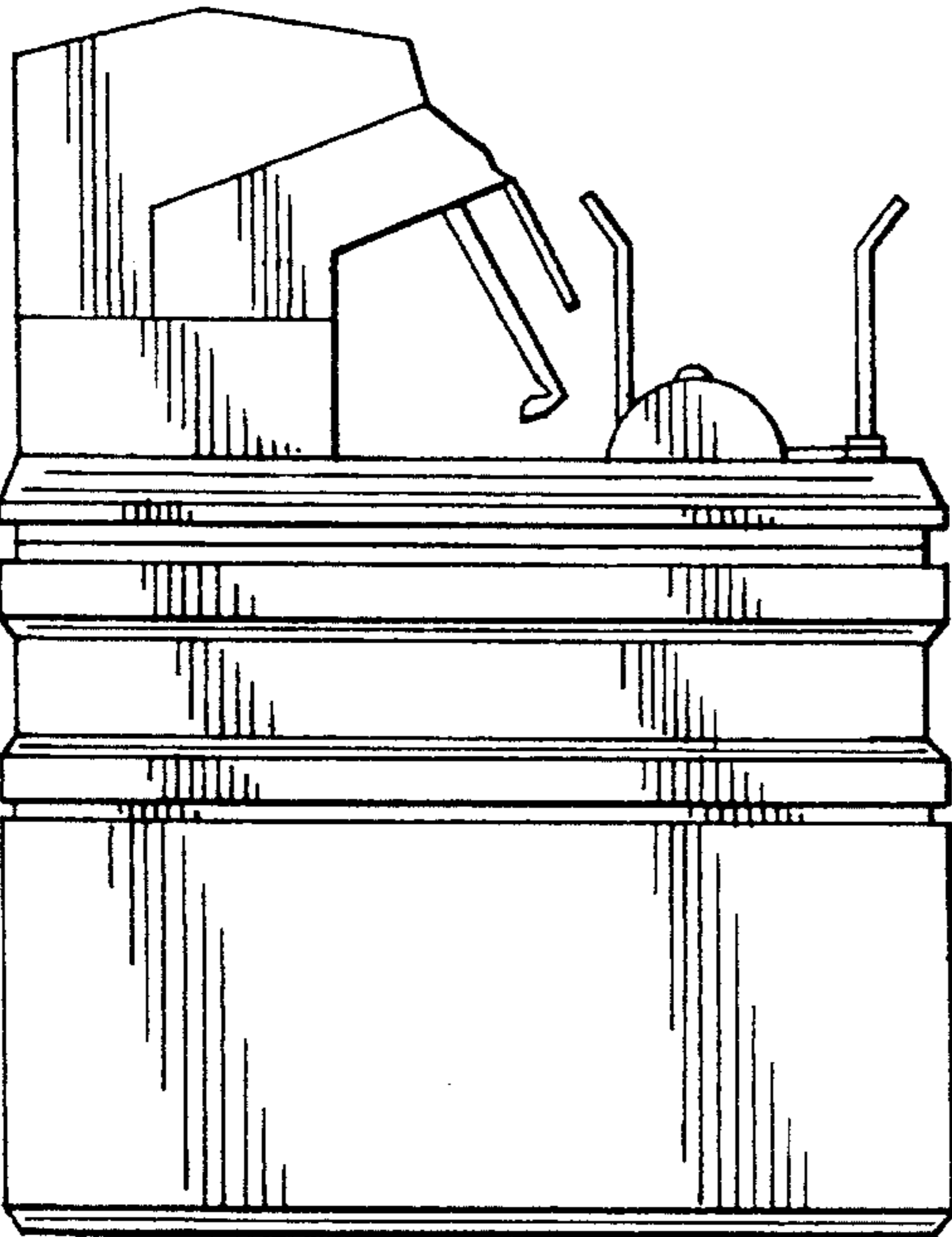


FIG. 5

