



US00D368725S

**United States Patent** [19]  
**Aust**

[11] **Patent Number: Des. 368,725**

[45] **Date of Patent: \*\*Apr. 9, 1996**

[54] **CIRCLE CUTTING JIG**

4,719,951 1/1988 Woltanski ..... 144/253 J

[76] Inventor: **James G. Aust**, 9048 State Rte. 365,  
Stittville, N.Y. 13469

*Primary Examiner*—Antoine Duval Davis  
*Attorney, Agent, or Firm*—Harpman & Harpman

[\*\*] Term: **14 Years**

[57] **CLAIM**

[21] Appl. No.: **37,265**

The ornamental design for a circle cutting jig, as shown and described.

[22] Filed: **Apr. 10, 1995**

**DESCRIPTION**

[52] U.S. Cl. .... **D15/138**

[58] **Field of Search** ..... D15/138, 139;  
30/371-378; 74/89.15; 83/438-441, 821-829;  
144/253 R-253 J

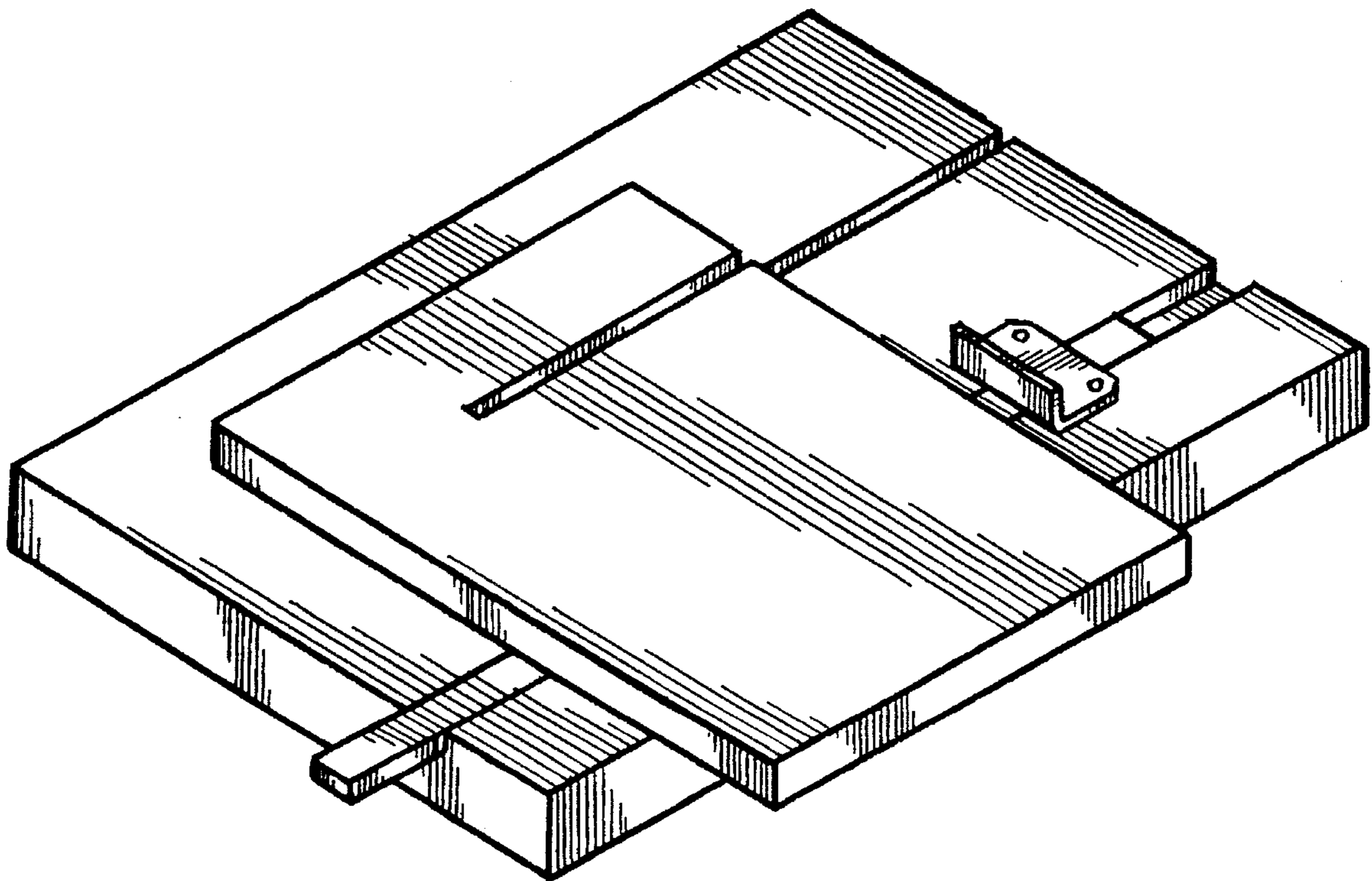
FIG. 1 is a front, top and side perspective view of the circle cutting jig embodying the design of the present invention; FIG. 2 is a front elevational view thereof; FIG. 3 is a rear elevational view thereof; FIG. 4 is a side elevational view thereof, the side opposite being a mirror image of the side shown in FIG. 4; FIG. 5 is a top plan view thereof; and, FIG. 6 is a bottom plan view thereof.

[56] **References Cited**

**U.S. PATENT DOCUMENTS**

D. 352,510	11/1994	Sutton et al.	.....	D15/138
4,128,940	12/1978	Ong	.....	30/373
4,132,256	1/1979	Jones	.....	144/253 F

**1 Claim, 3 Drawing Sheets**



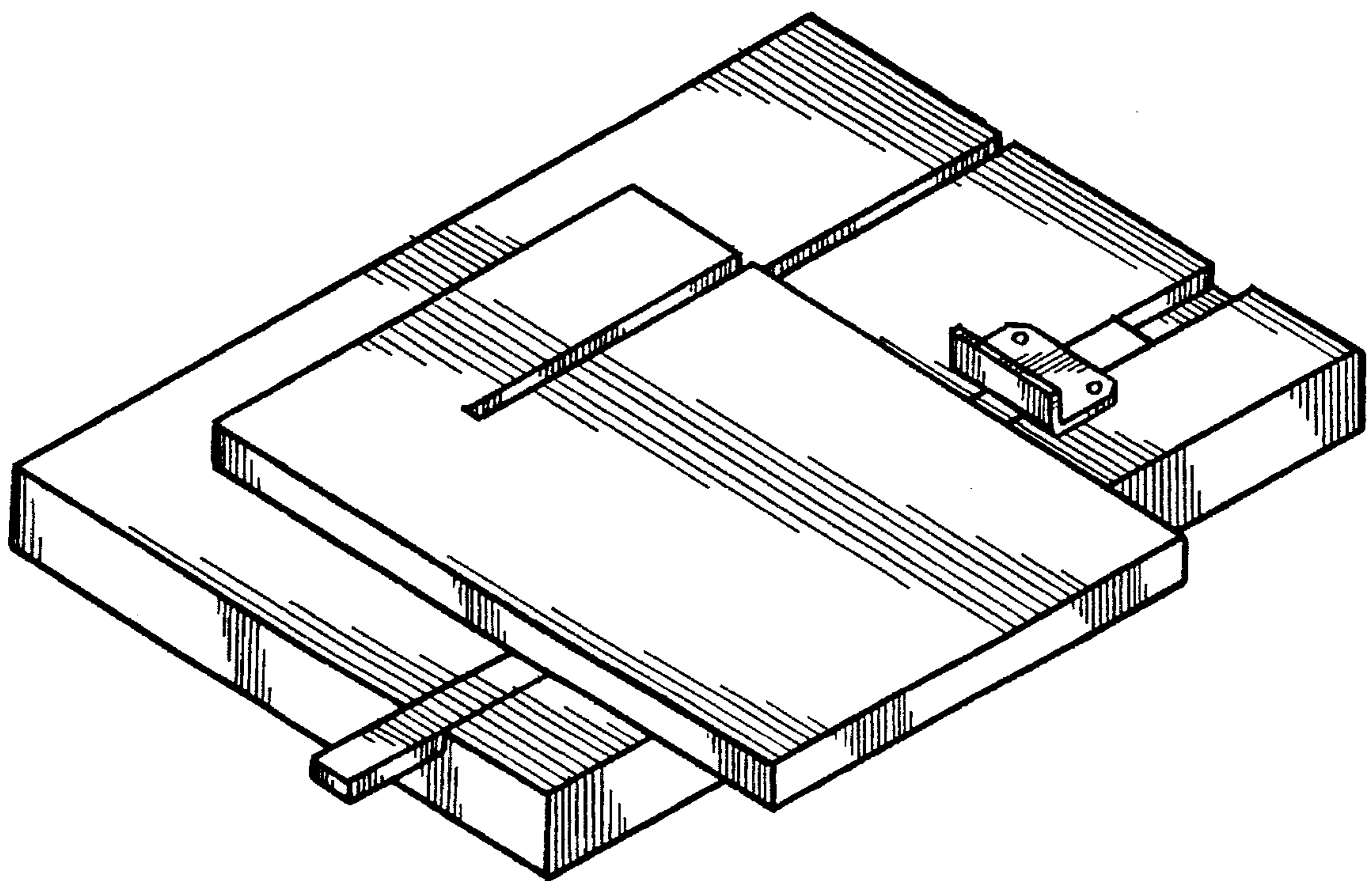


FIG.1.

FIG. 5.

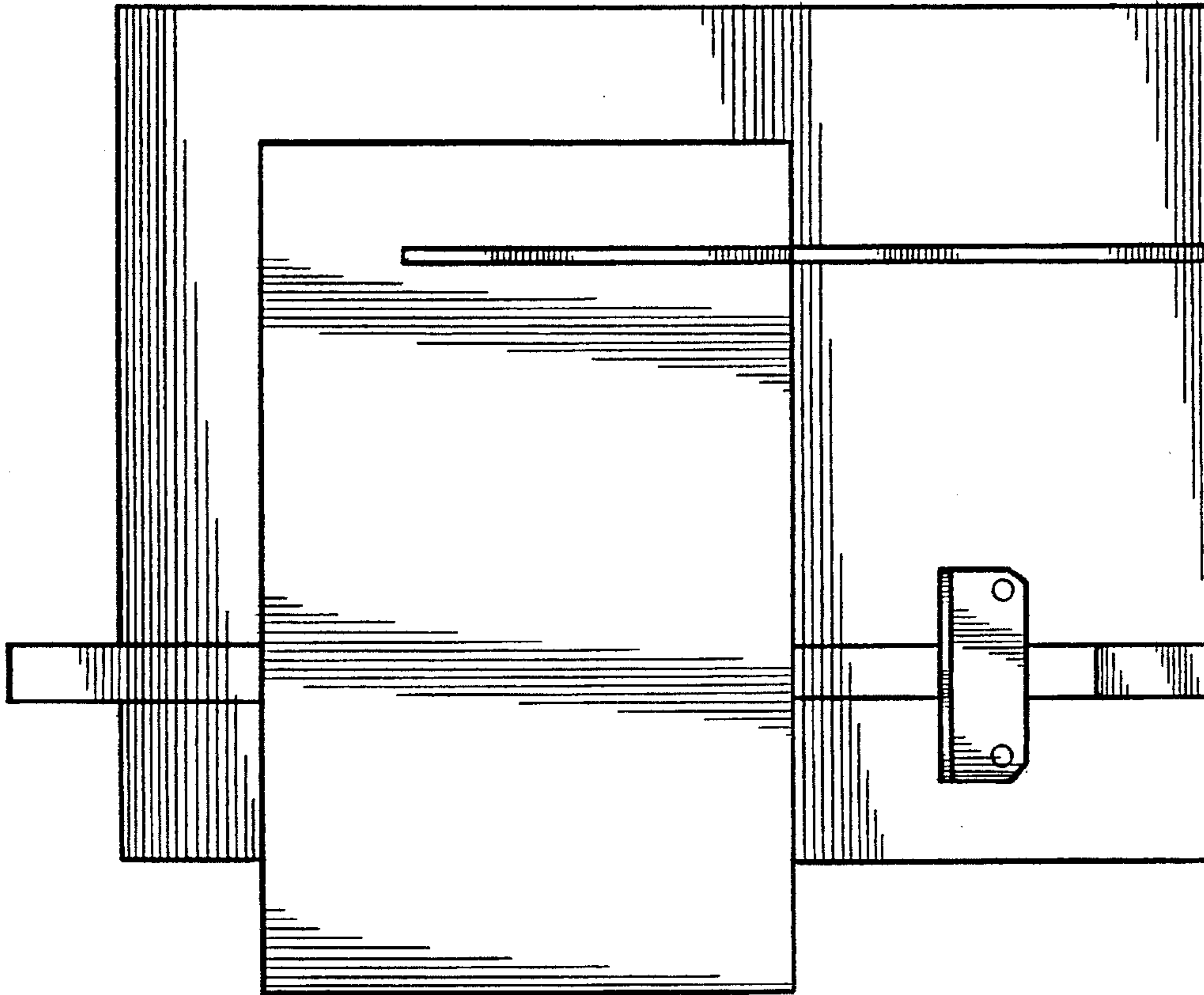
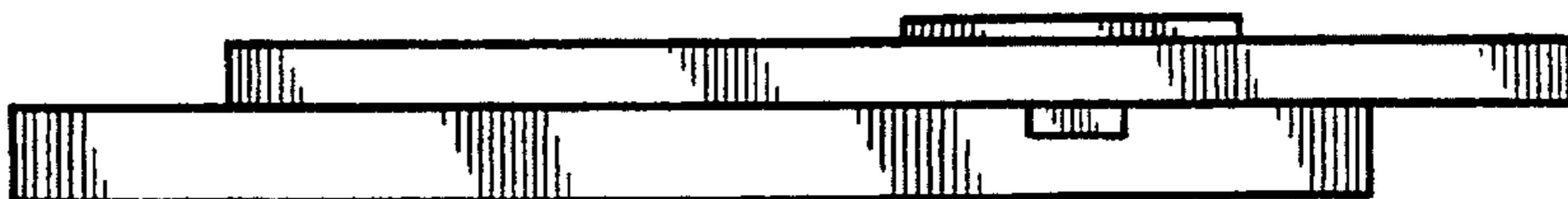


FIG. 4.

FIG. 3.



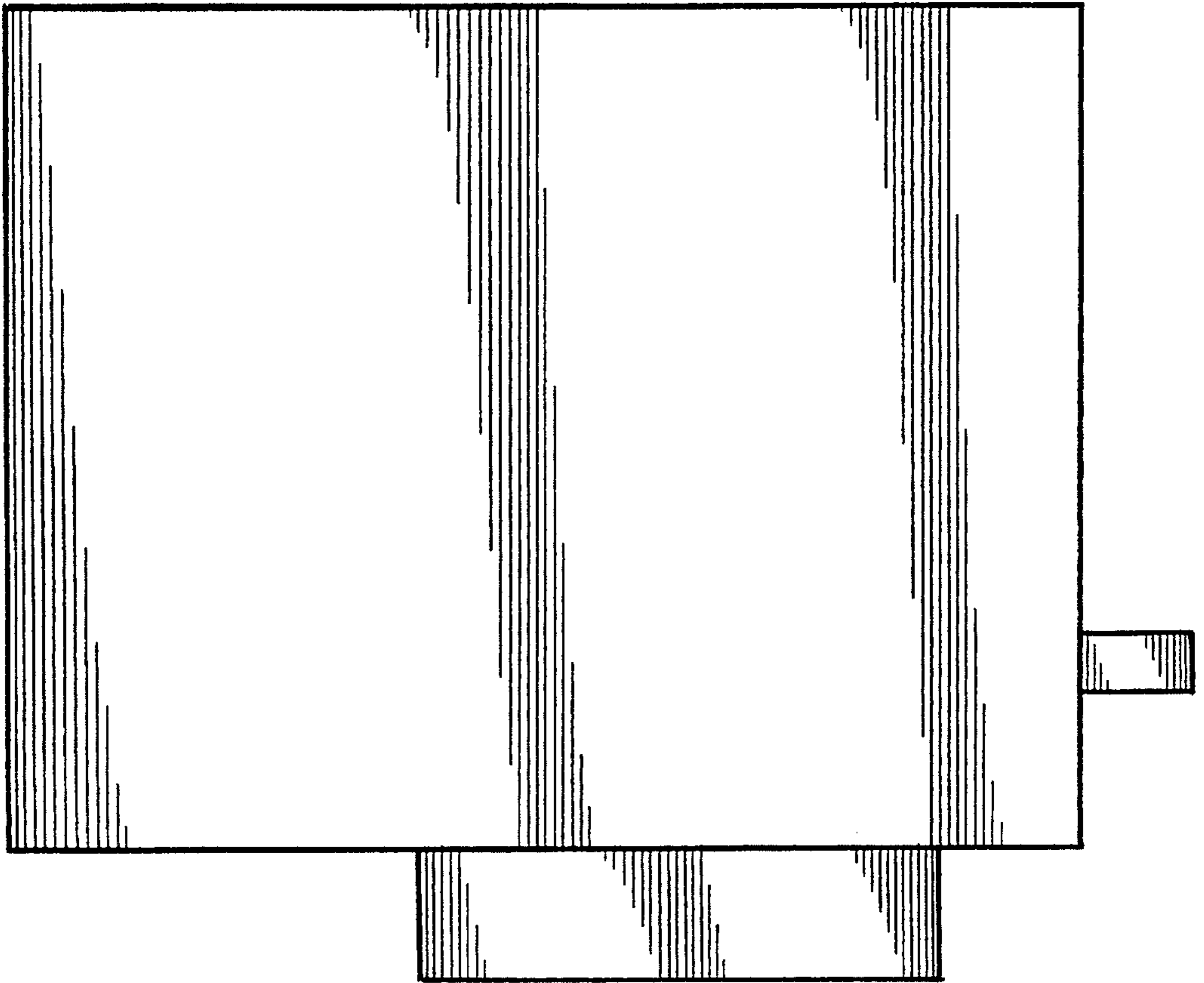


FIG. 6.

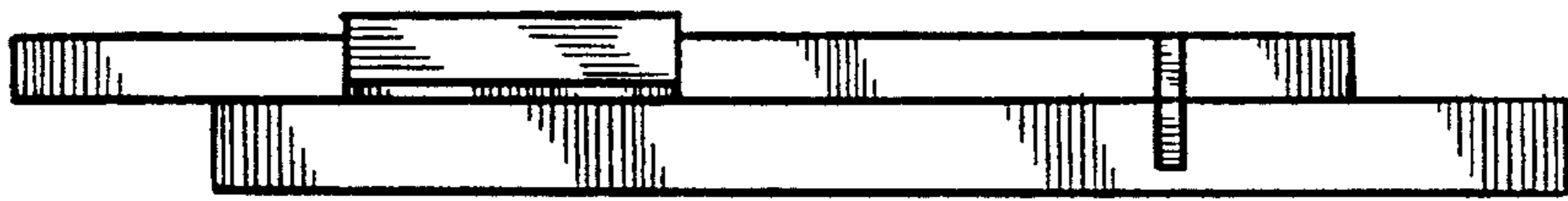


FIG. 2.