



US00D368722S

United States Patent [19]

Brister et al.

[11] **Patent Number: Des. 368,722**

[45] **Date of Patent: **Apr. 9, 1996**

[54] **OUTBOARD MOTOR SUPPORT**

[76] Inventors: **Oma W. Brister; Kenneth C. Harlan,**
both of Rte. 1, Box 222, Blackwell,
Tex. 79506

[**] Term: **14 Years**

[21] Appl. No.: **34,265**

[22] Filed: **Jan. 31, 1995**

[52] U.S. Cl. **D15/4**

[58] Field of Search D15/1-4; 440/104,
440/105, 84; 248/640-643

[56] **References Cited**

U.S. PATENT DOCUMENTS

D. 288,205	2/1987	Bergeron	D15/4
D. 289,296	4/1987	Mahoney	D15/4
D. 308,850	6/1990	McGuire	D15/4
D. 323,509	1/1992	Dimmitt	D15/4
D. 330,898	11/1992	Capra	D15/4

D. 332,264	1/1993	Pellegrino	D15/4
1,698,490	1/1929	Bovey	440/84
5,314,362	5/1994	Nagahora	44/84

Primary Examiner—Ralf Seifert
Attorney, Agent, or Firm—Harpman & Harpman

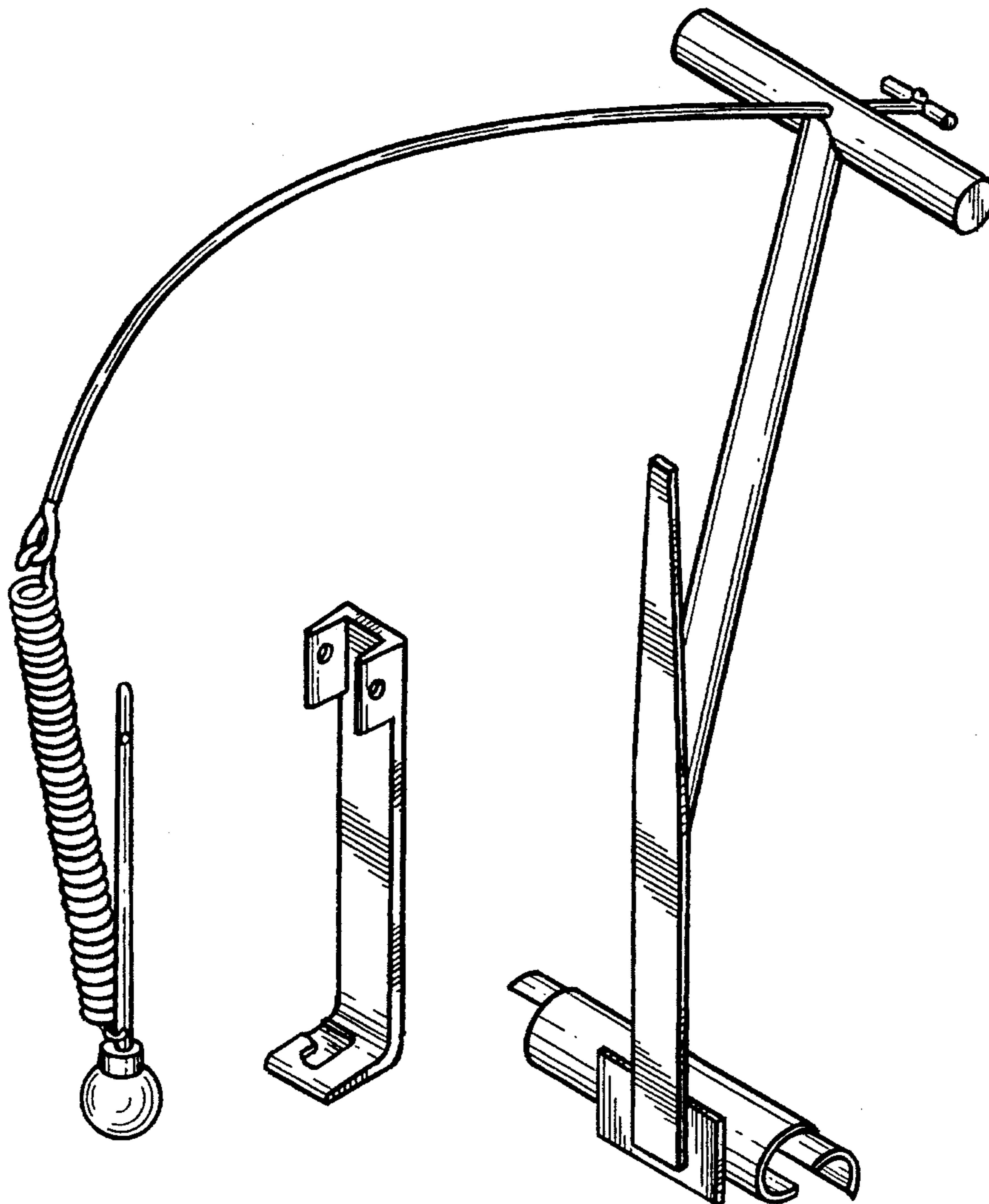
[57] **CLAIM**

The ornamental design for an outboard motor support, as shown and described.

DESCRIPTION

FIG. 1 is a front, top and side perspective view of an outboard motor support showing my new design; FIG. 2 is a front elevational view thereof; FIG. 3 is a rear elevational view thereof; FIG. 4 is a right side elevational view thereof; FIG. 5 is a left side elevational view thereof; FIG. 6 is a top plan view thereof; and, FIG. 7 is a bottom plan view thereof.

1 Claim, 5 Drawing Sheets



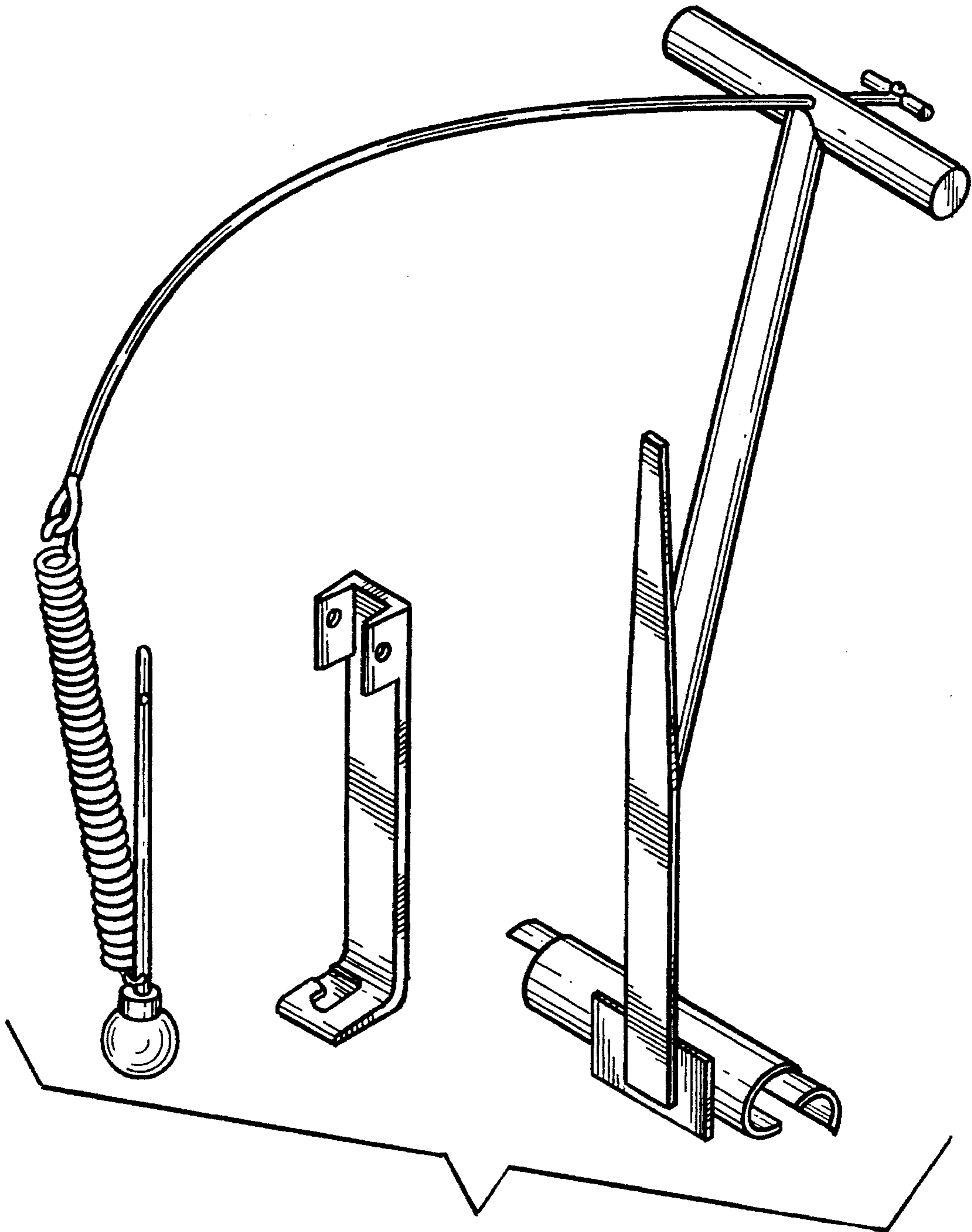


FIG.1.

FIG. 7.

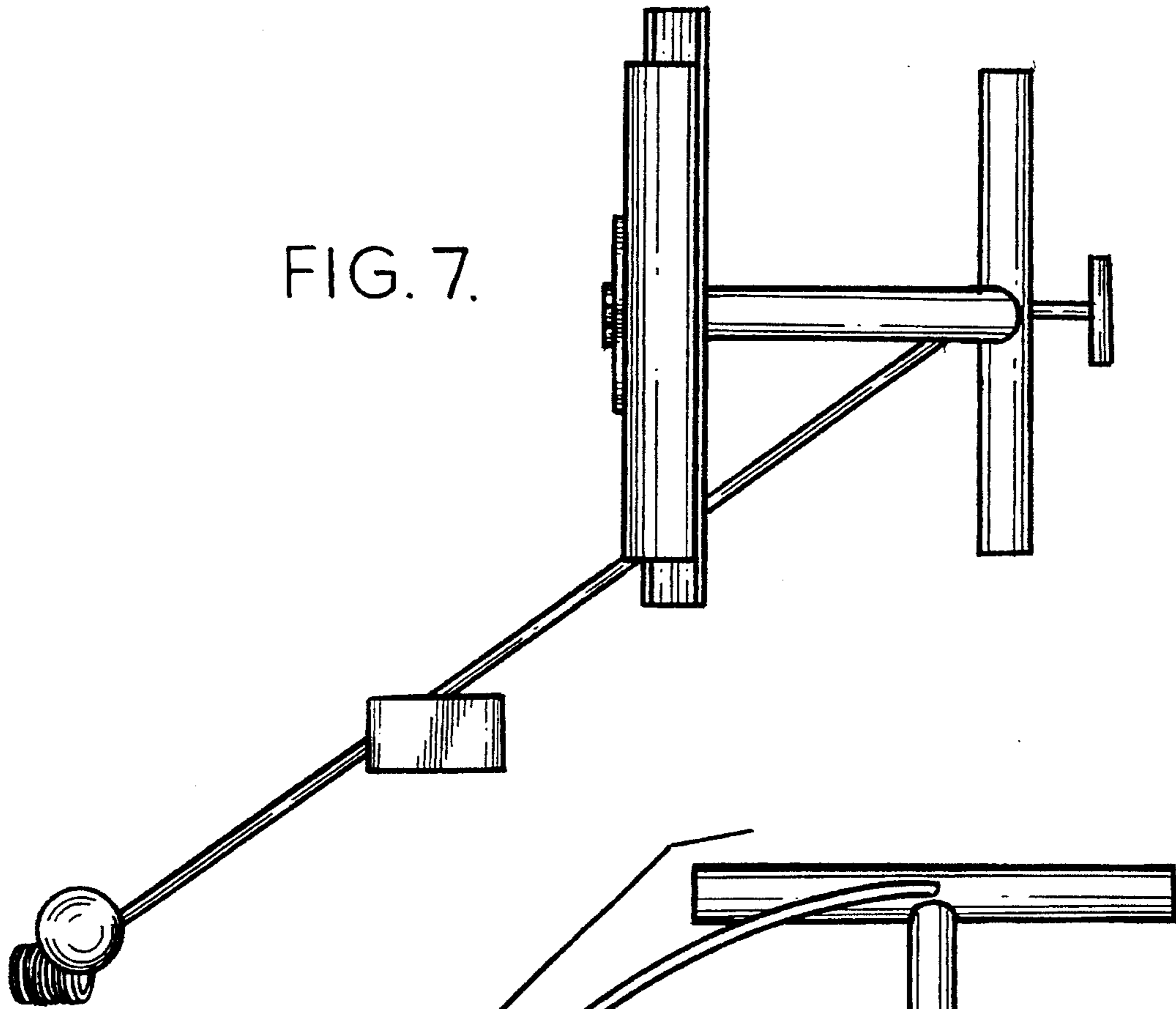
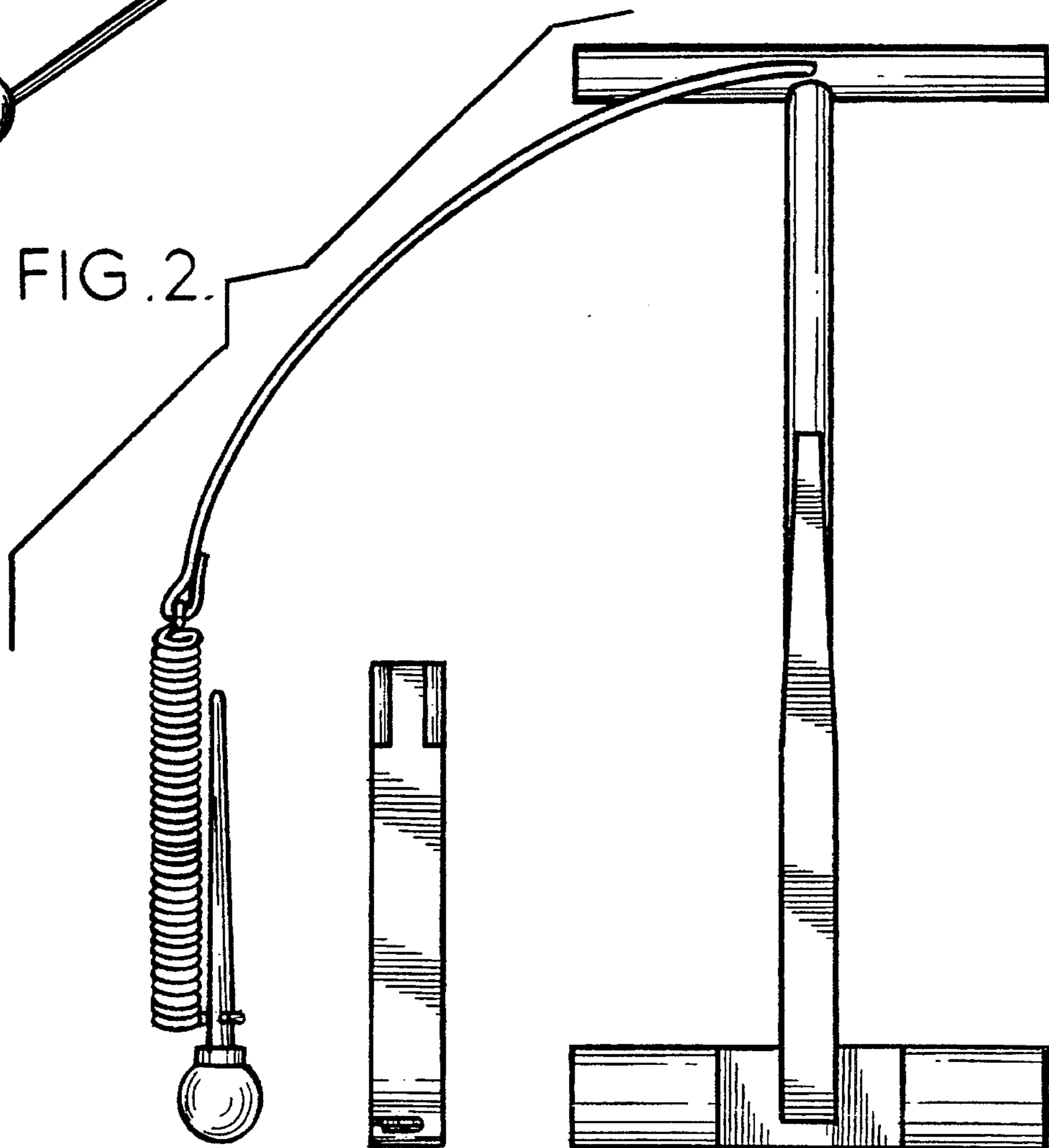


FIG. 2.



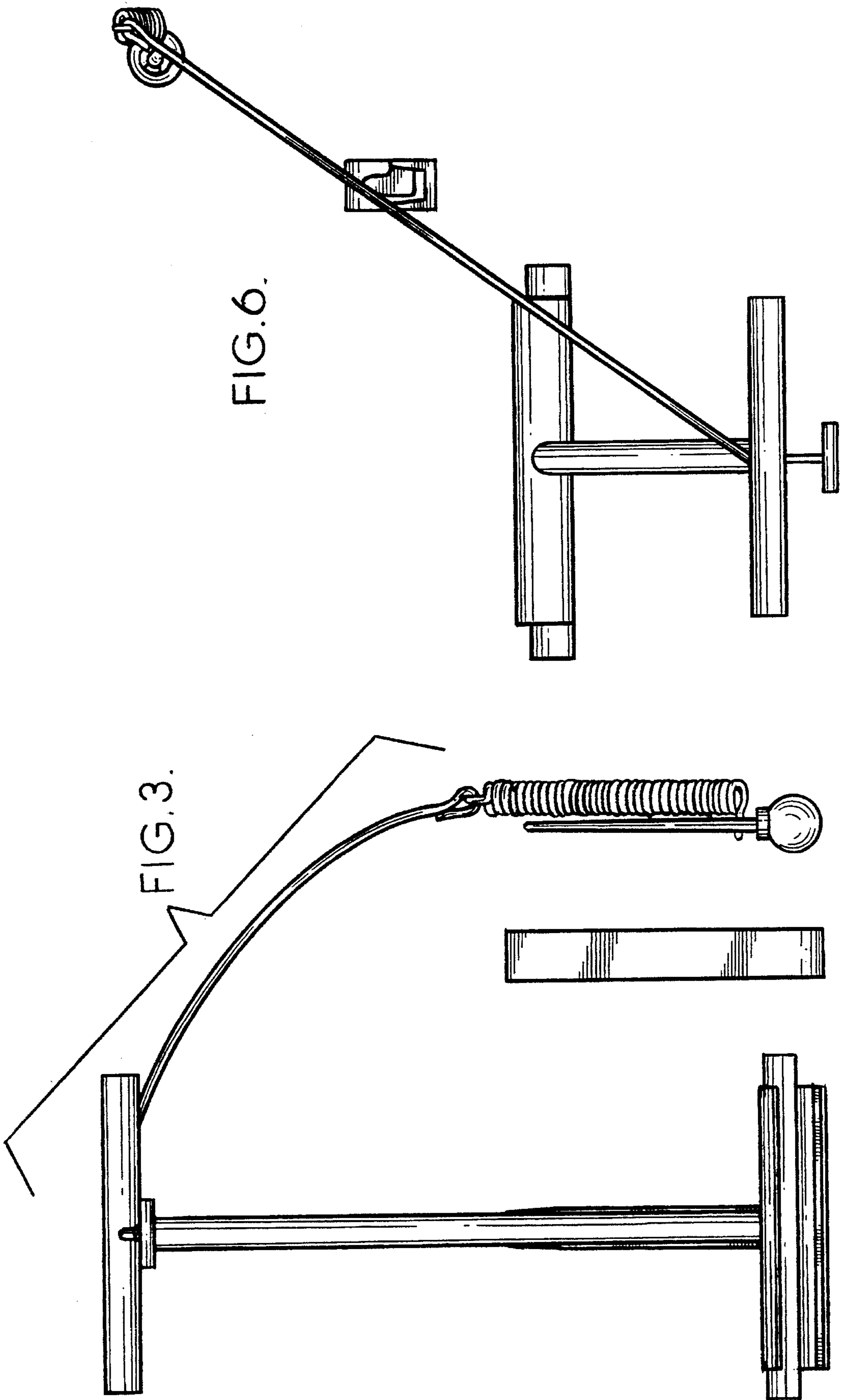


FIG. 6.

FIG. 3.

