



US00D368721S

United States Patent [19]

Howell et al.

[11] Patent Number: **Des. 368,721**

[45] Date of Patent: ****Apr. 9, 1996**

[54] VIDEOCONFERENCING CONTROL PANEL

[76] Inventors: **Brian Howell**, 94 Pitman Rd.,
Marblehead, Mass. 01923; **Benjamin Beck**, 1126 Boylston St., #700, Boston,
Mass. 02215

[**] Term: **14 Years**

[21] Appl. No.: **34,093**

[22] Filed: **Jan. 27, 1995**

[52] U.S. Cl. **D14/240; D14/114; D14/218;**
D21/48

[58] Field of Search D14/100, 101,
D14/107, 114, 140, 240, 142, 242, 241,
130, 155, 159, 218, 299; 74/471 XY; D21/48;
348/14, 15-20; 379/53; 345/167, 168, 158;
H04N 5/225, 7/14

[56] **References Cited**

U.S. PATENT DOCUMENTS

D. 274,048	5/1984	Wong et al.	D14/242 X
D. 281,776	12/1985	Griffin	D21/48 X
D. 301,256	5/1989	Iwata	D21/48
D. 302,010	7/1989	McLaughlin et al.	D14/114
D. 308,060	5/1990	Davidson	D14/218
D. 331,398	12/1992	Clouss et al.	D14/114
D. 333,818	3/1993	Yang	D14/114
D. 335,658	5/1993	Barry	D14/114

D. 355,644	2/1995	Risko	D14/100
D. 355,899	2/1995	Paull et al.	D14/114
4,538,476	9/1985	Luque	74/471 XY
5,063,289	11/1991	Jasinski et al.	74/471 XY X
5,078,019	1/1992	Aoki	74/471 XY
5,187,468	2/1993	Garthwaite et al.	345/167

Primary Examiner—Jeffrey Asch
Attorney, Agent, or Firm—Fish & Richardson

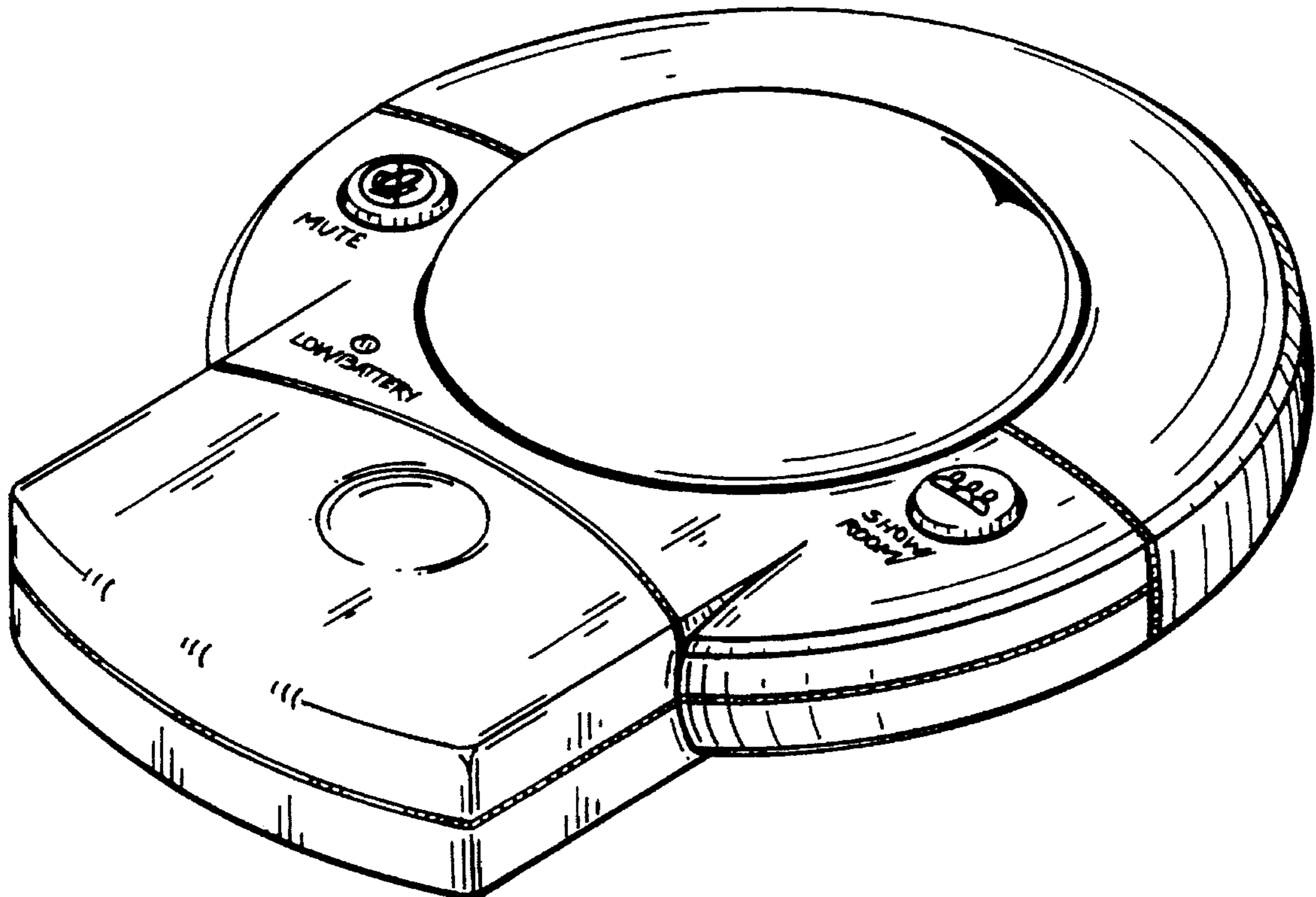
[57] **CLAIM**

The ornamental design for a videoconferencing control panel, as shown and described.

DESCRIPTION

FIG. 1 is a perspective view of the videoconferencing control panel showing our new design;
FIG. 2 is a top view of the videoconferencing control panel shown in FIG. 1;
FIG. 3 is a bottom view of the videoconferencing control panel shown in FIG. 1;
FIG. 4 is a left side view of the videoconferencing control panel shown in FIG. 1;
FIG. 5 is a right side view of the videoconferencing control panel shown in FIG. 1;
FIG. 6 is a back view of the videoconferencing control panel shown in FIG. 1; and,
FIG. 7 is a front view of the videoconferencing control panel shown in FIG. 1.

1 Claim, 3 Drawing Sheets



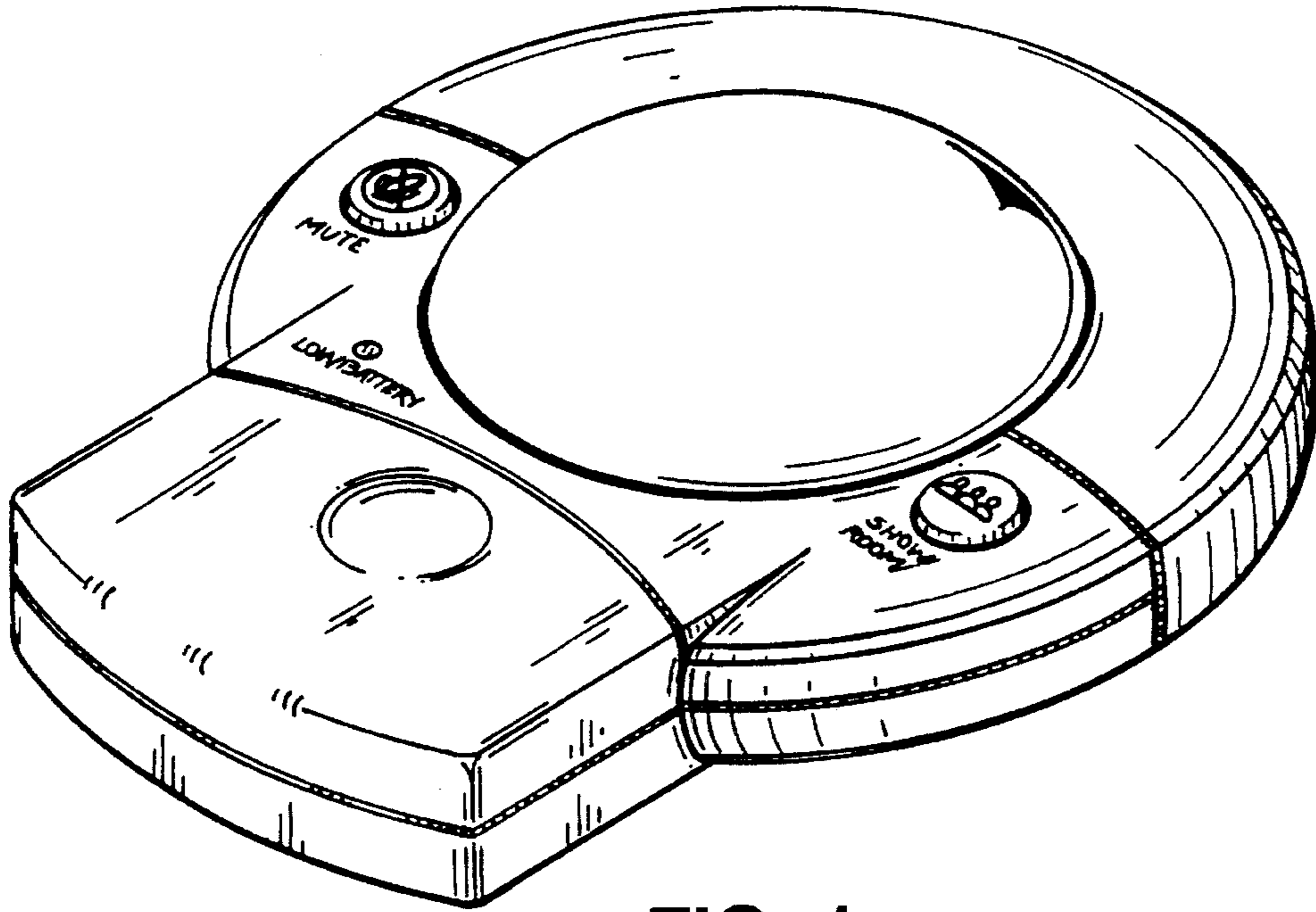


FIG. 1



FIG. 6

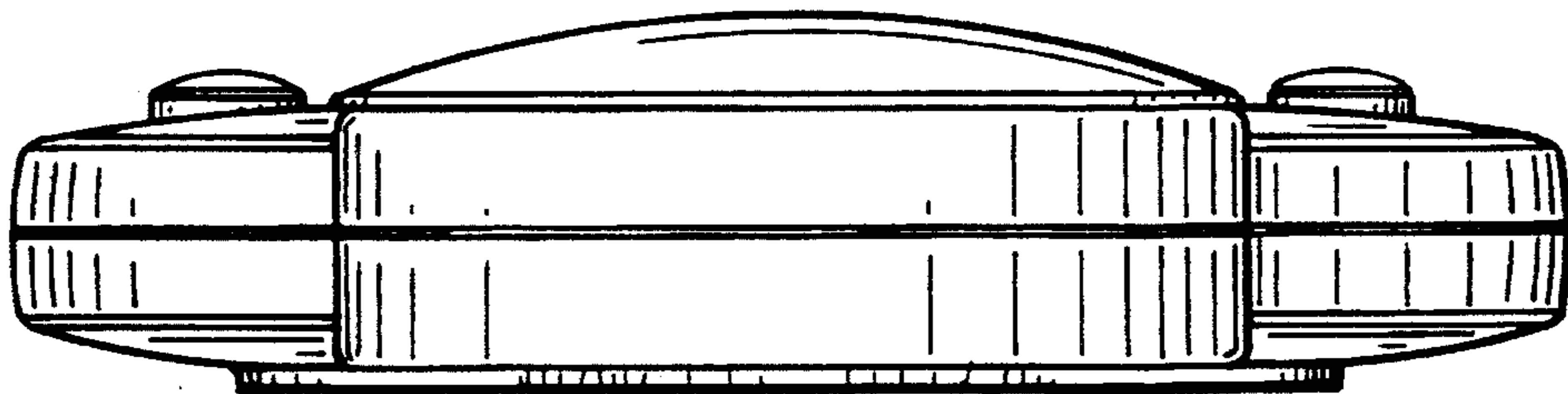


FIG. 7

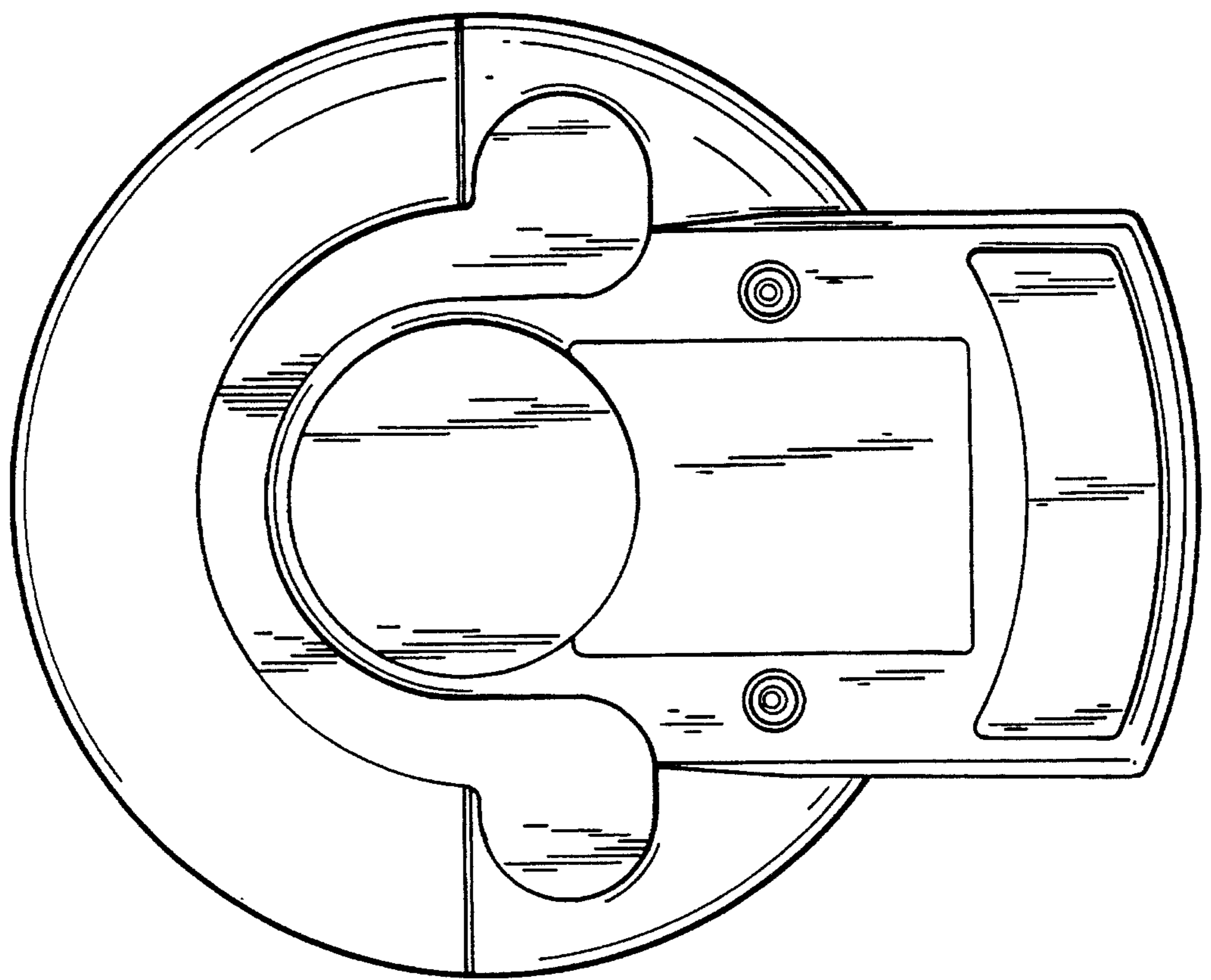


FIG. 3

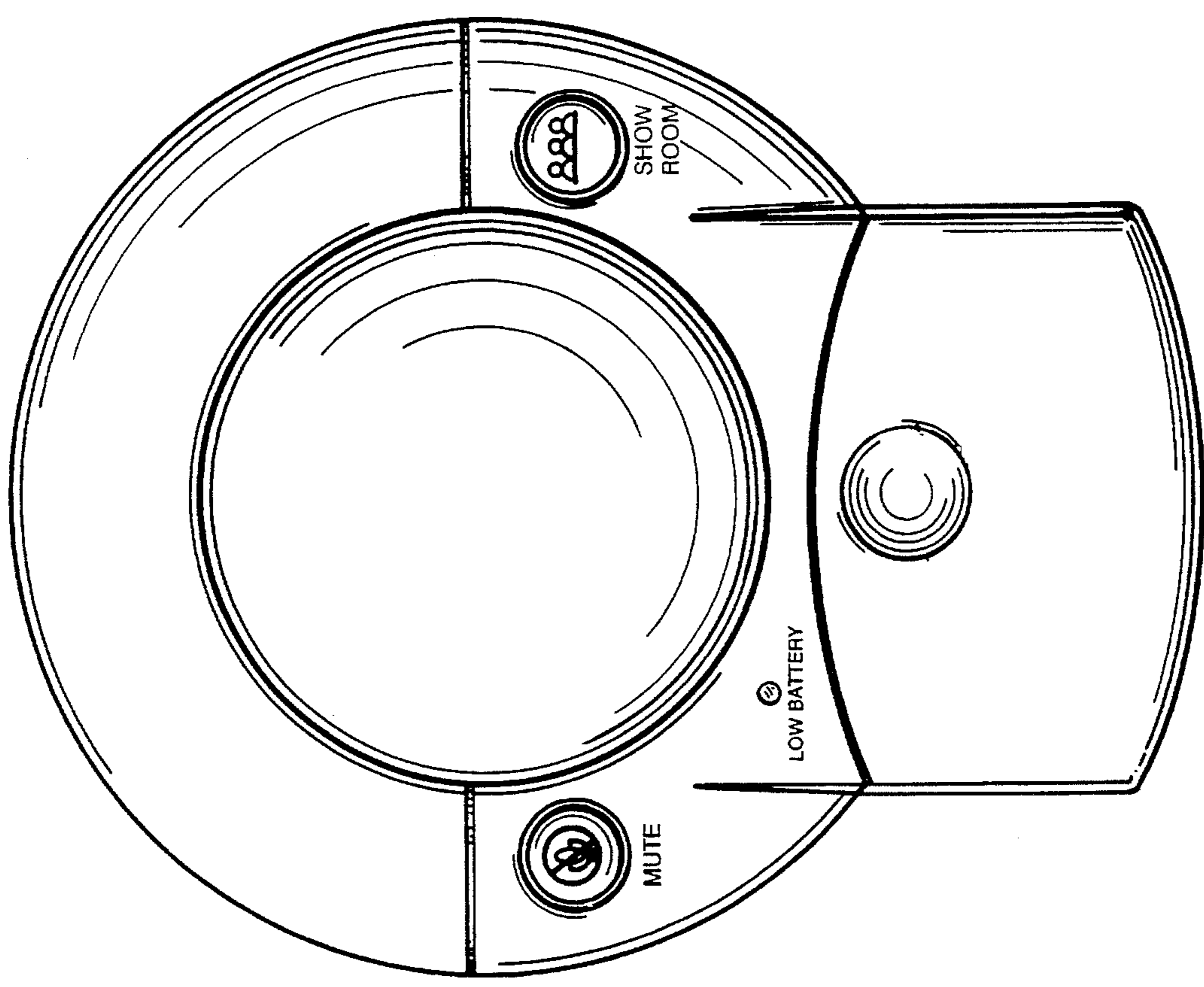


FIG. 2

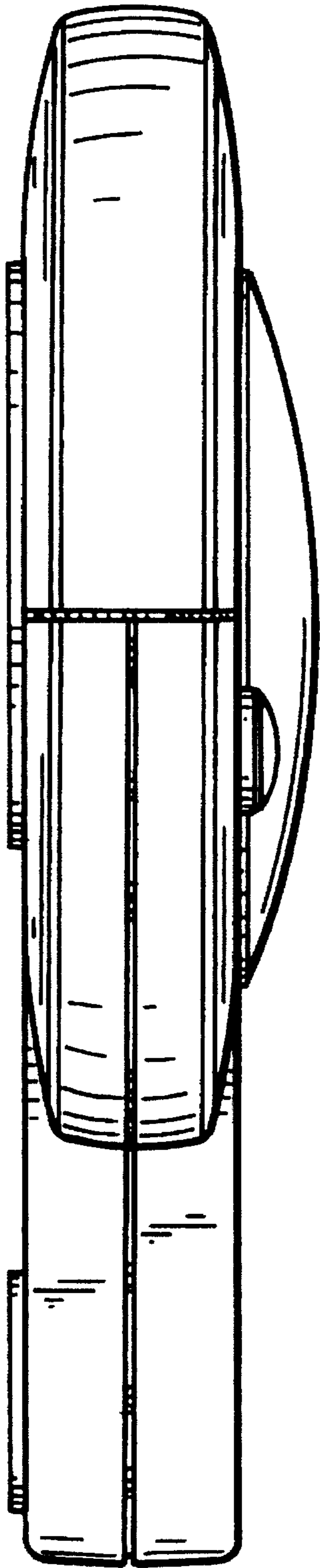


FIG. 4

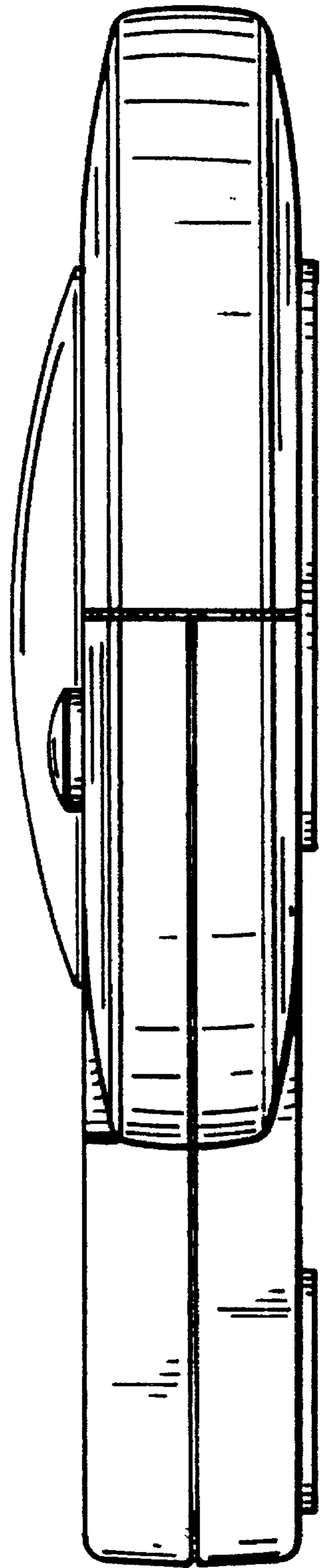


FIG. 5