



US00D368718S

**United States Patent** [19]  
**Starck**

[11] **Patent Number: Des. 368,718**  
[45] **Date of Patent: \*\*Apr. 9, 1996**

[54] **REMOTE CONTROL**

[75] Inventor: **Philippe Starck**, Paris, France  
[73] Assignee: **Thomson Consumer Electronics (Societe Anonyme)**, Corbevoie, France  
[\*\*] Term: **14 Years**  
[21] Appl. No.: **38,253**  
[22] Filed: **May 2, 1995**

**Related U.S. Application Data**

[62] Division of Ser. No. 26,660, Aug. 2, 1994.

[30] **Foreign Application Priority Data**

Feb. 4, 1994 [FR] France ..... 94 0627

[52] **U.S. Cl.** ..... **D14/218**

[58] **Field of Search** ..... D10/104, 106;  
D13/168; D14/124, 217, 218, 299; 348/734;  
455/151.1-151.4, 352-355

[56] **References Cited**

**U.S. PATENT DOCUMENTS**

D. 310,349 9/1990 Rowen ..... D13/168  
D. 339,137 9/1993 Takeda ..... D14/218  
D. 355,895 2/1995 Soren et al. .... D14/218

**OTHER PUBLICATIONS**

*Video Magazine*, Aug. 1993 p. 96 "Trakker" remote control.  
*Video Magazine*, Dec. 1993 p. 54 Sony RMV11 remote.

*Primary Examiner*—Sandra L. Morris  
*Attorney, Agent, or Firm*—McAulay Fisher Nissen Goldberg & Kiel

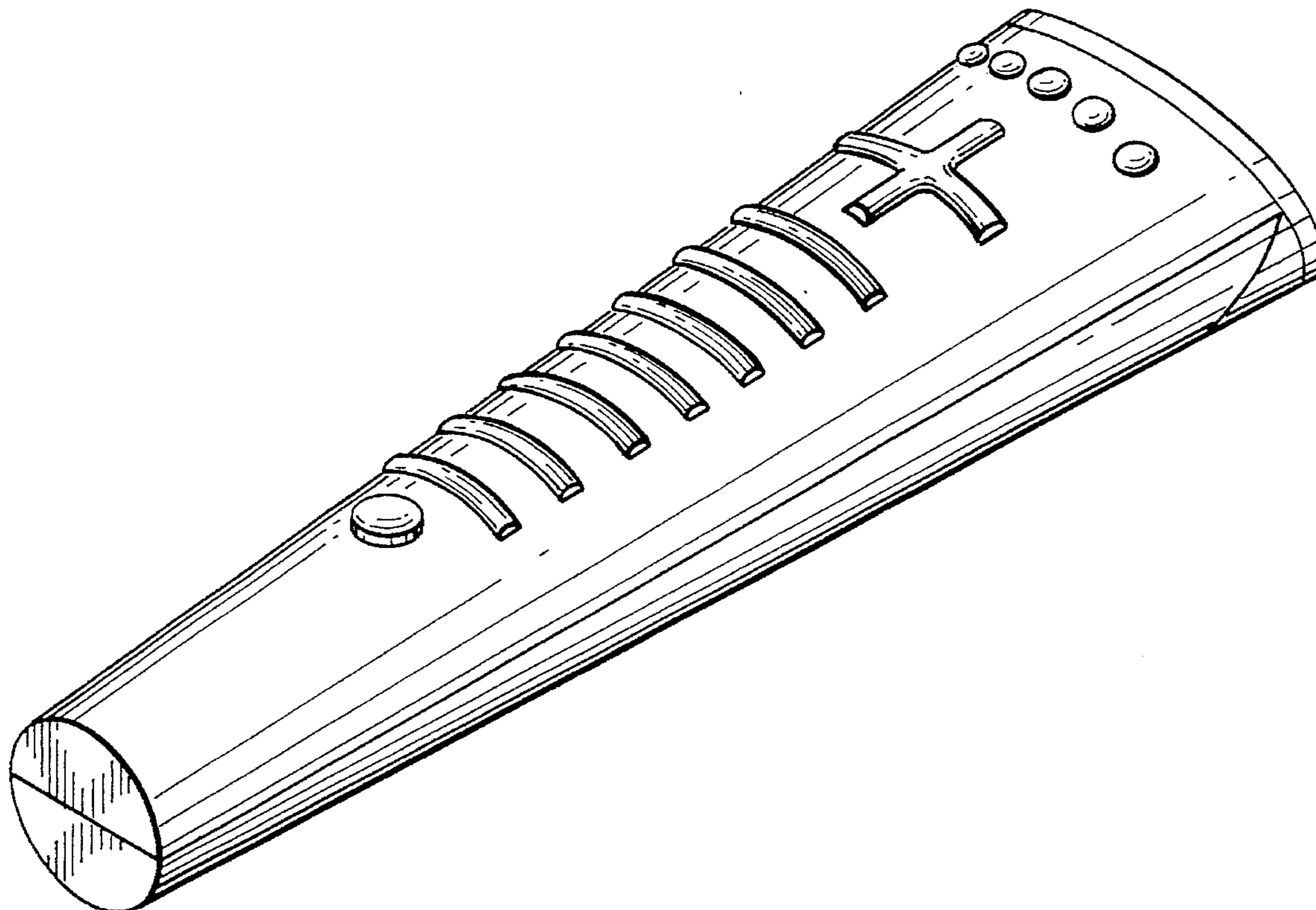
[57] **CLAIM**

The ornamental design for a remote control, as shown and described.

**DESCRIPTION**

FIG. 1 is a top front perspective view of a remote control, showing my new design;  
FIG. 2 is a bottom front perspective view of the remote control shown in FIG. 1;  
FIG. 3 is a front view of the remote control shown in FIG. 1;  
FIG. 4 is a right side view of the remote control shown in FIG. 1, and the left side view is a mirror image of the right side view;  
FIG. 5 is a rear view of the remote control shown in FIG. 1;  
FIG. 6 is a top view of the remote control shown in FIG. 7; and,  
FIG. 7 is a bottom view of the remote control shown in FIG. 1.

**1 Claim, 4 Drawing Sheets**



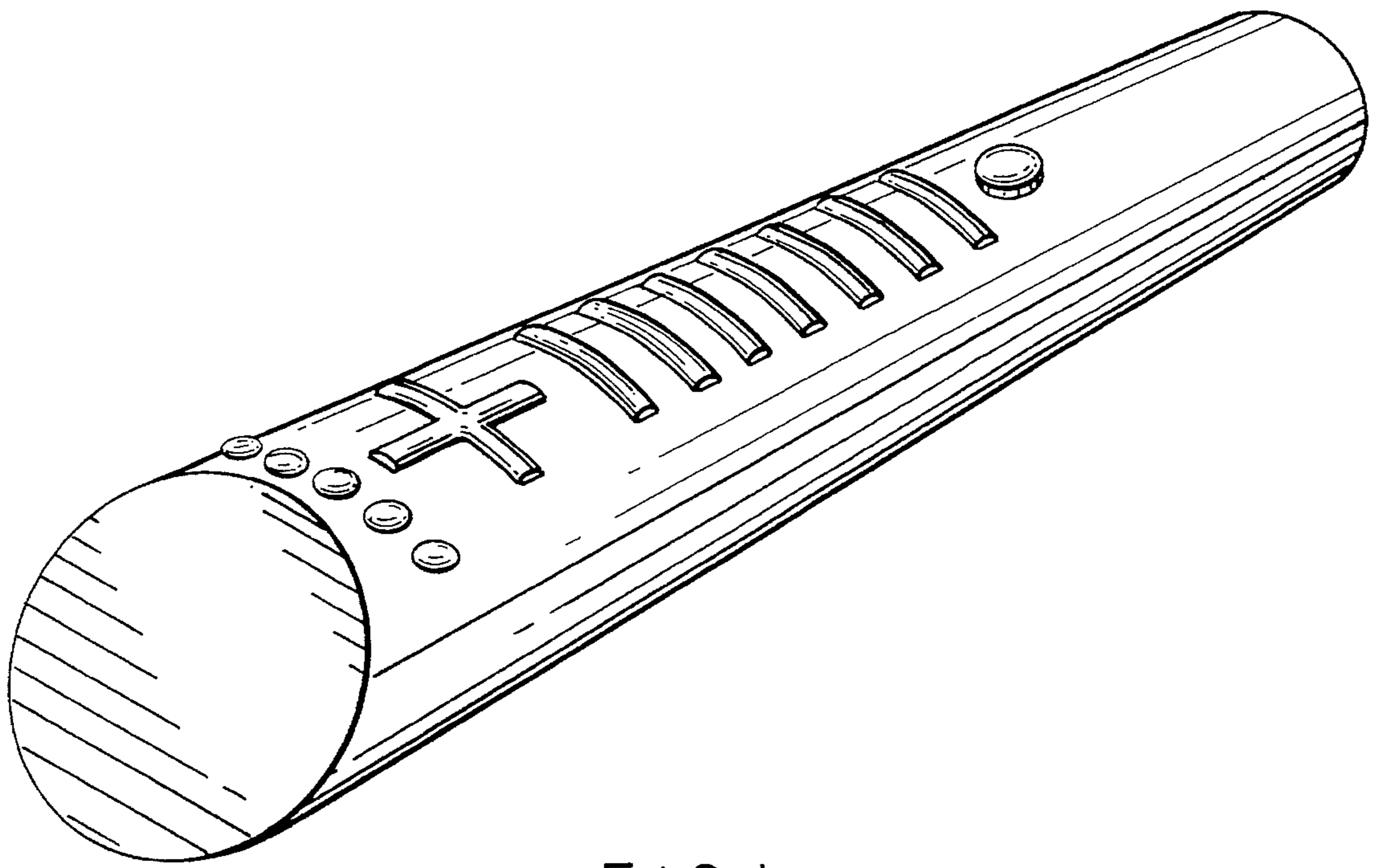


FIG. 1

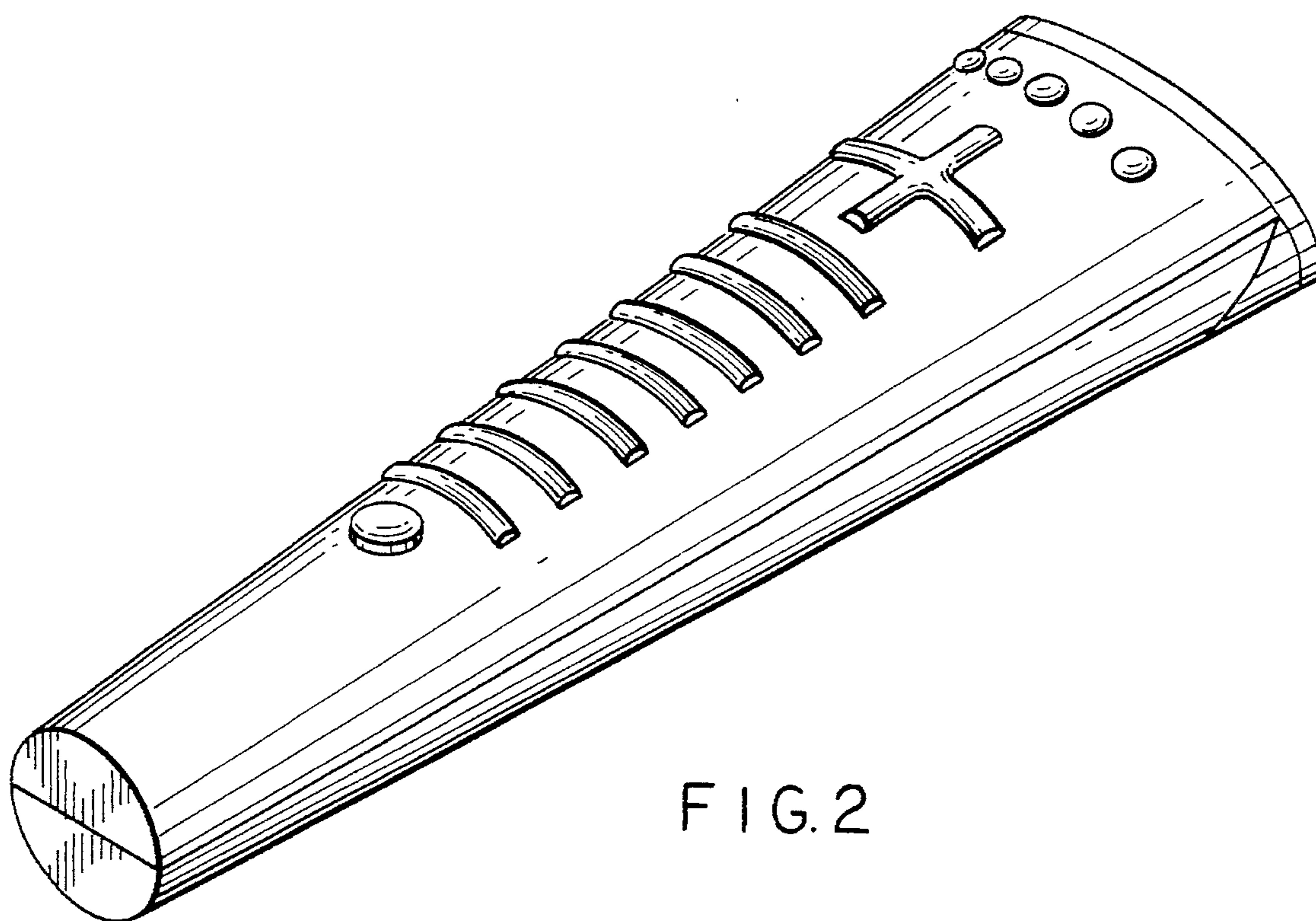


FIG. 2

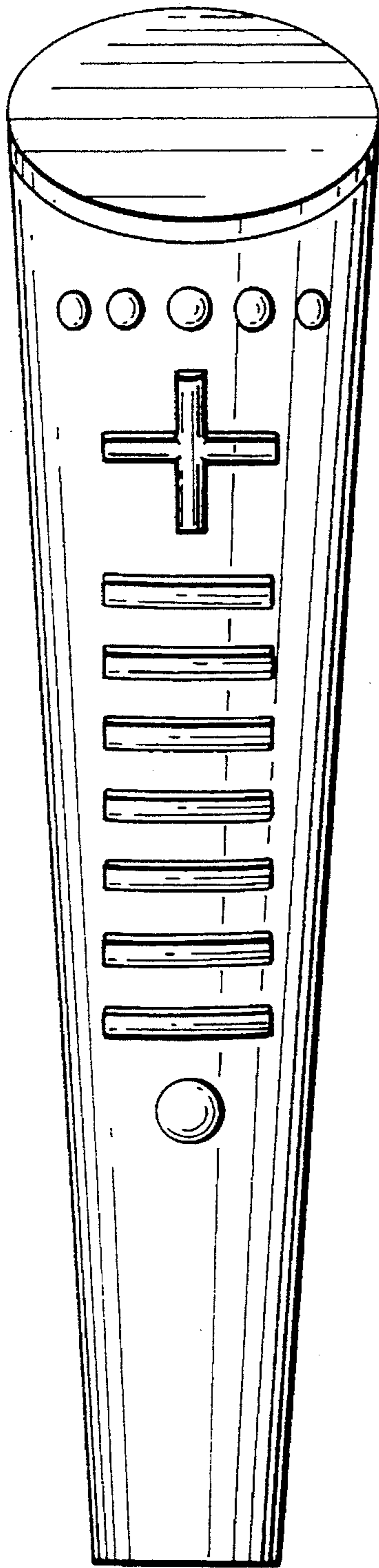


FIG. 3

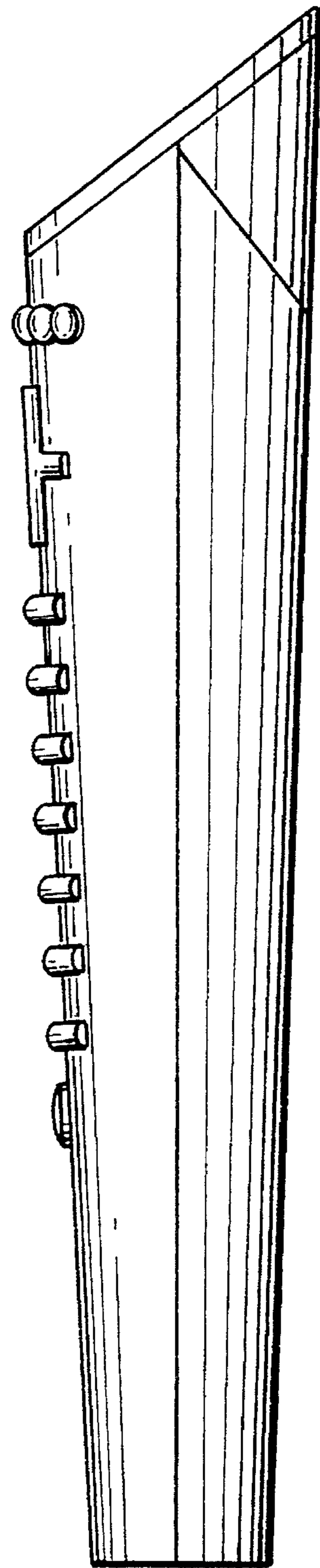


FIG. 4

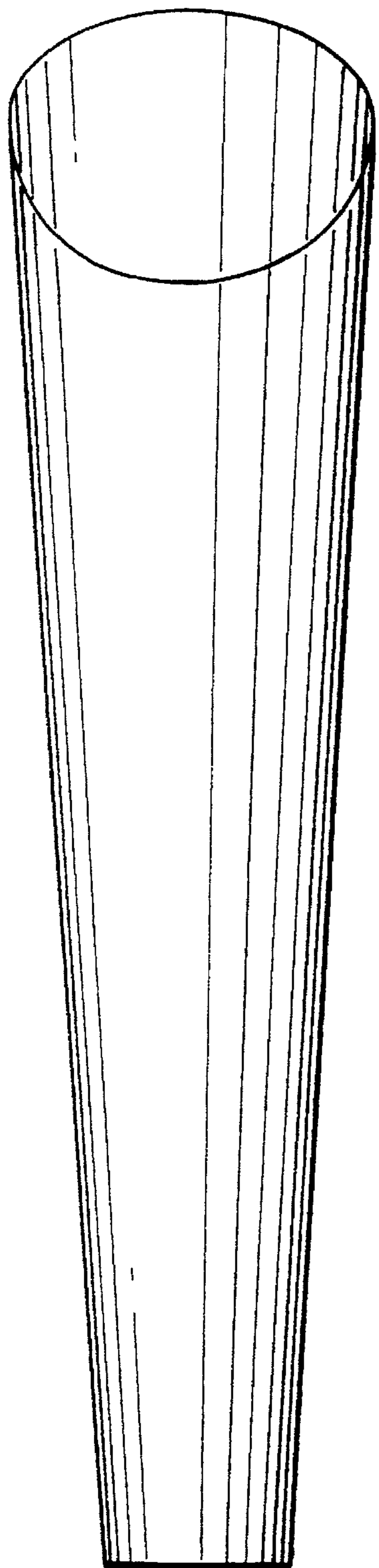


FIG. 5

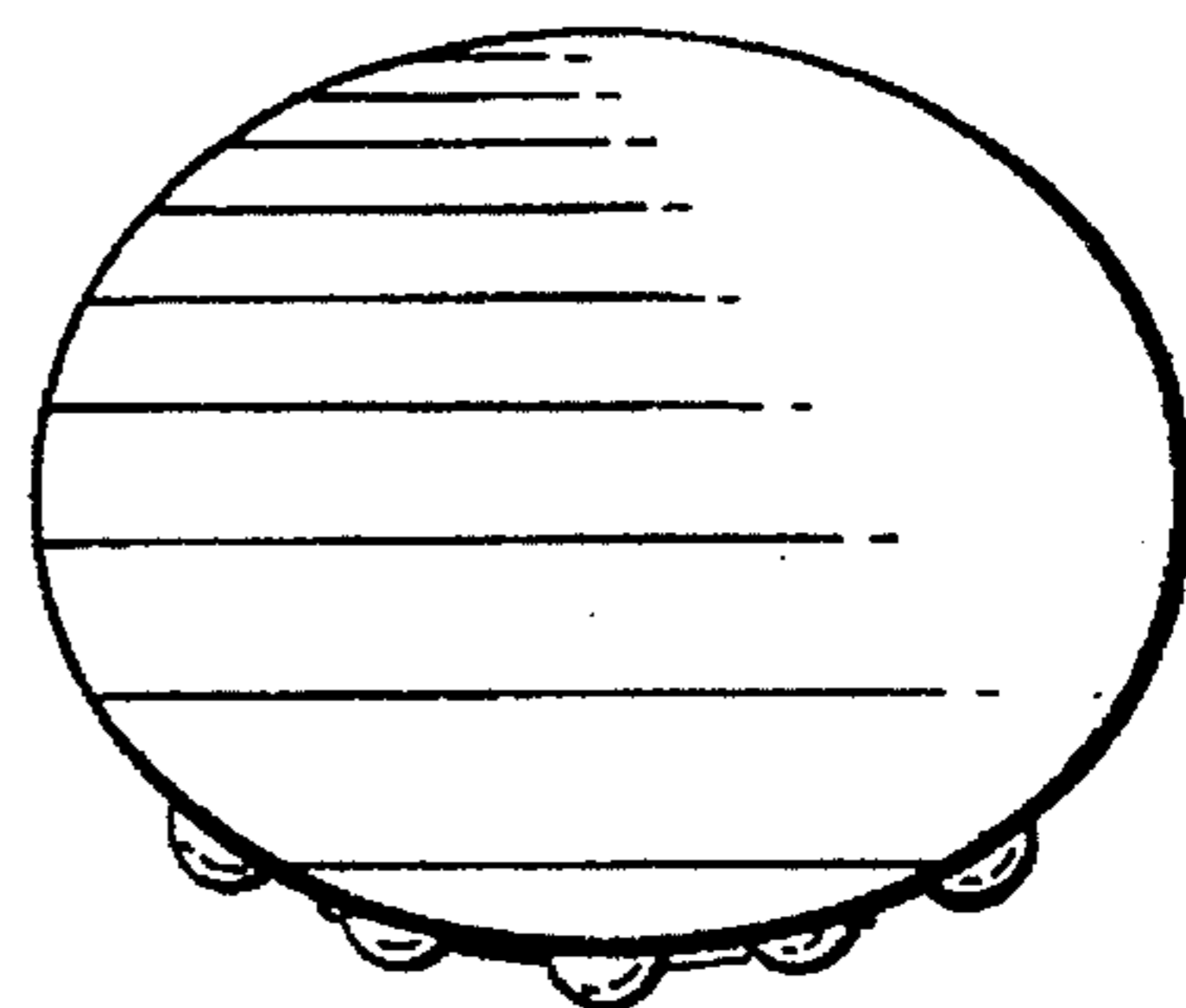


FIG. 6

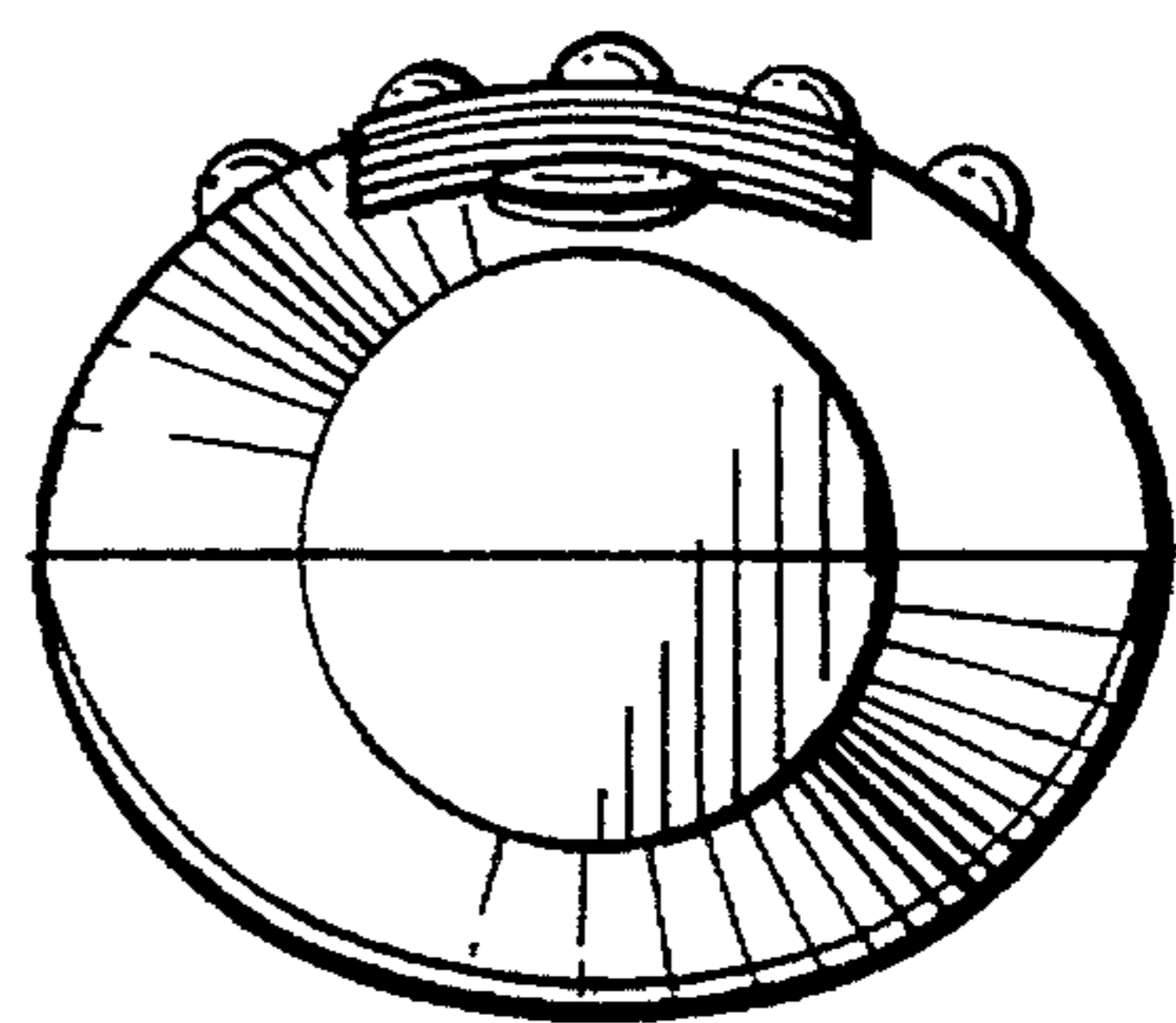


FIG. 7