



US00D368713S

United States Patent [19]

Tomlinson et al.

[11] Patent Number: **Des. 368,713**

[45] Date of Patent: ****Apr. 9, 1996**

[54] **PORTABLE TELEPHONE**

[76] Inventors: **Roger R. Tomlinson; Barbara J. Tomlinson**, both of 4575 Amberwood, La Palma, Calif. 90623

[**] Term: **14 Years**

[21] Appl. No.: **35,496**

[22] Filed: **Feb. 24, 1995**

[52] U.S. Cl. **D14/150; D14/248**

[58] Field of Search D14/100, 101, D14/107, 114, 137, 138, 140, 142, 149-151, 147, 148, 240, 241, 248, 141; 379/454, 455, 433-436, 419, 420, 428, 440; D13/107, 108; D21/111, 13, 48

[56] **References Cited**

U.S. PATENT DOCUMENTS

- D. 270,360 8/1983 Wickstead D21/13
- D. 273,109 3/1984 Breger D14/241
- D. 290,841 7/1987 Cochran D14/149
- D. 300,027 2/1989 Brunish D21/111 X

- D. 302,689 8/1989 Murakami et al. D14/248 X
- D. 311,541 10/1990 Carre D14/149 X
- D. 327,060 6/1992 Wachob et al. D14/248
- D. 329,221 9/1992 Khoo D13/107
- 3,859,476 1/1975 Morrell et al. 379/454
- 5,073,928 12/1991 Shimanuki D14/141 X

Primary Examiner—Jeffrey Asch

[57] **CLAIM**

The ornamental design for the portable telephone, as shown and described.

DESCRIPTION

FIG. 1 is an exploded front elevational view of the portable telephone showing our new design;
 FIG. 2 is an exploded rear elevational view thereof;
 FIG. 3 is an exploded left side elevational view thereof;
 FIG. 4 is an exploded right side elevational view thereof;
 FIG. 5 is an exploded top plan view thereof;
 FIG. 6 is a bottom plan view thereof; and,
 FIG. 7 is an exploded perspective view thereof with the handset in a closed position.

1 Claim, 4 Drawing Sheets

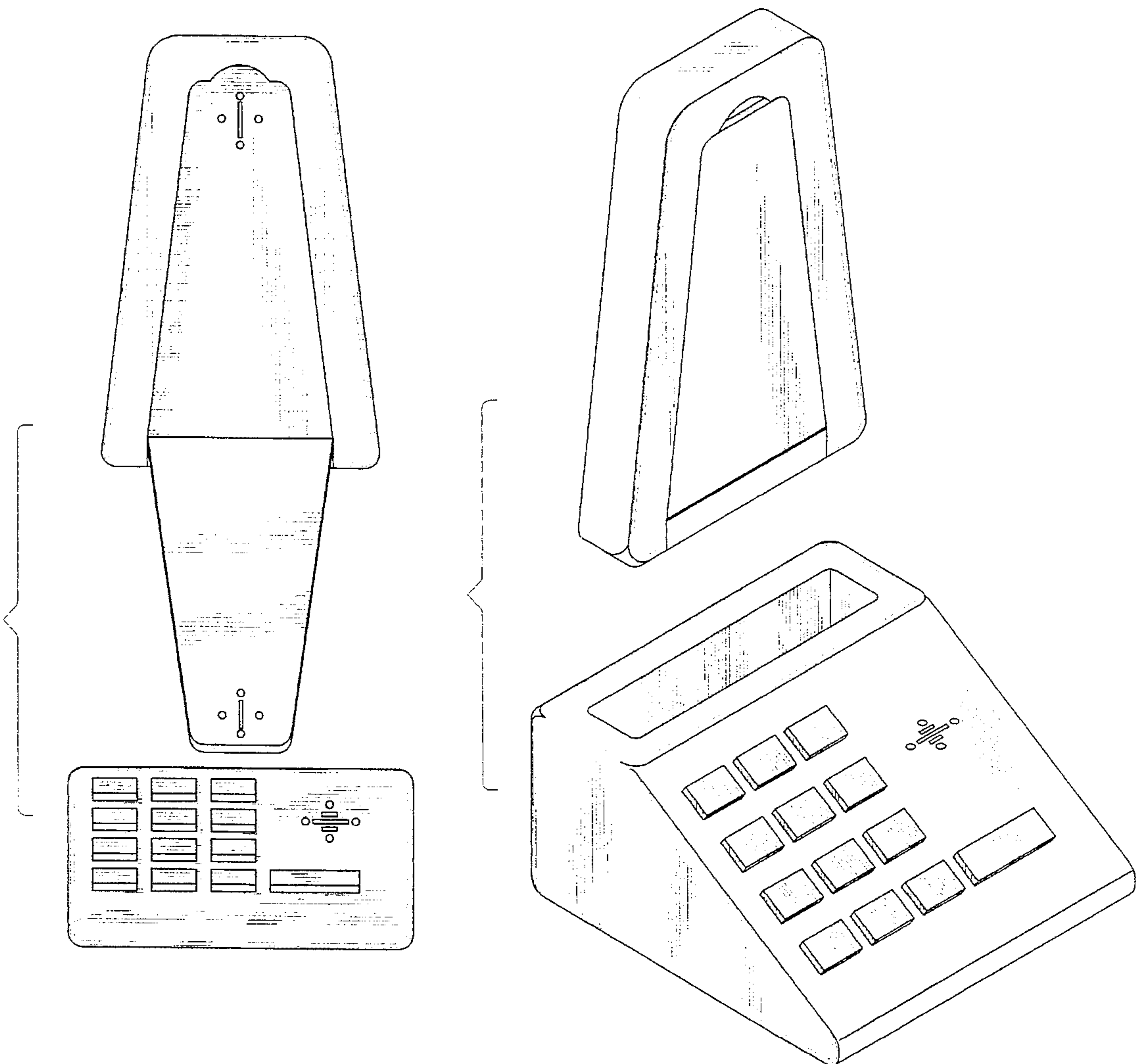


FIG. 1

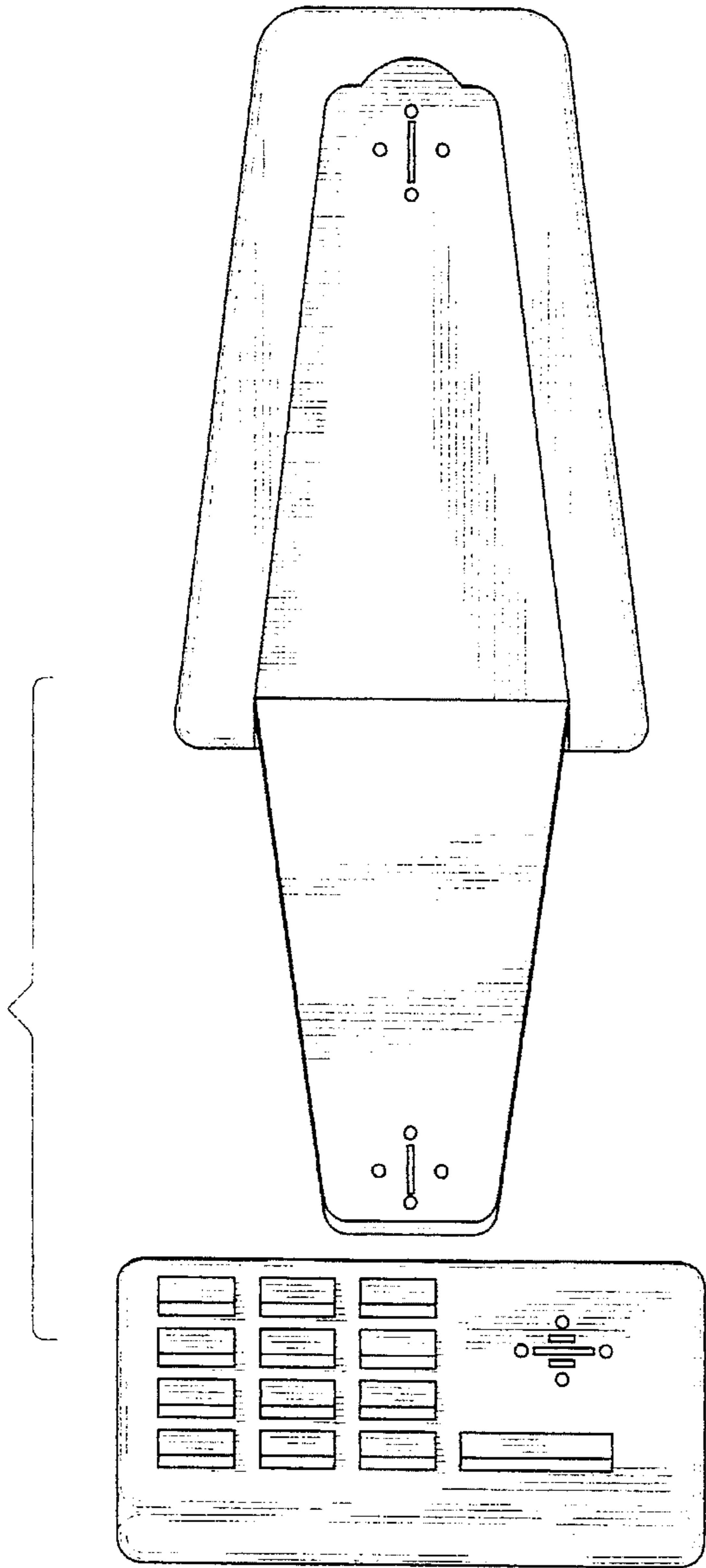


FIG. 2

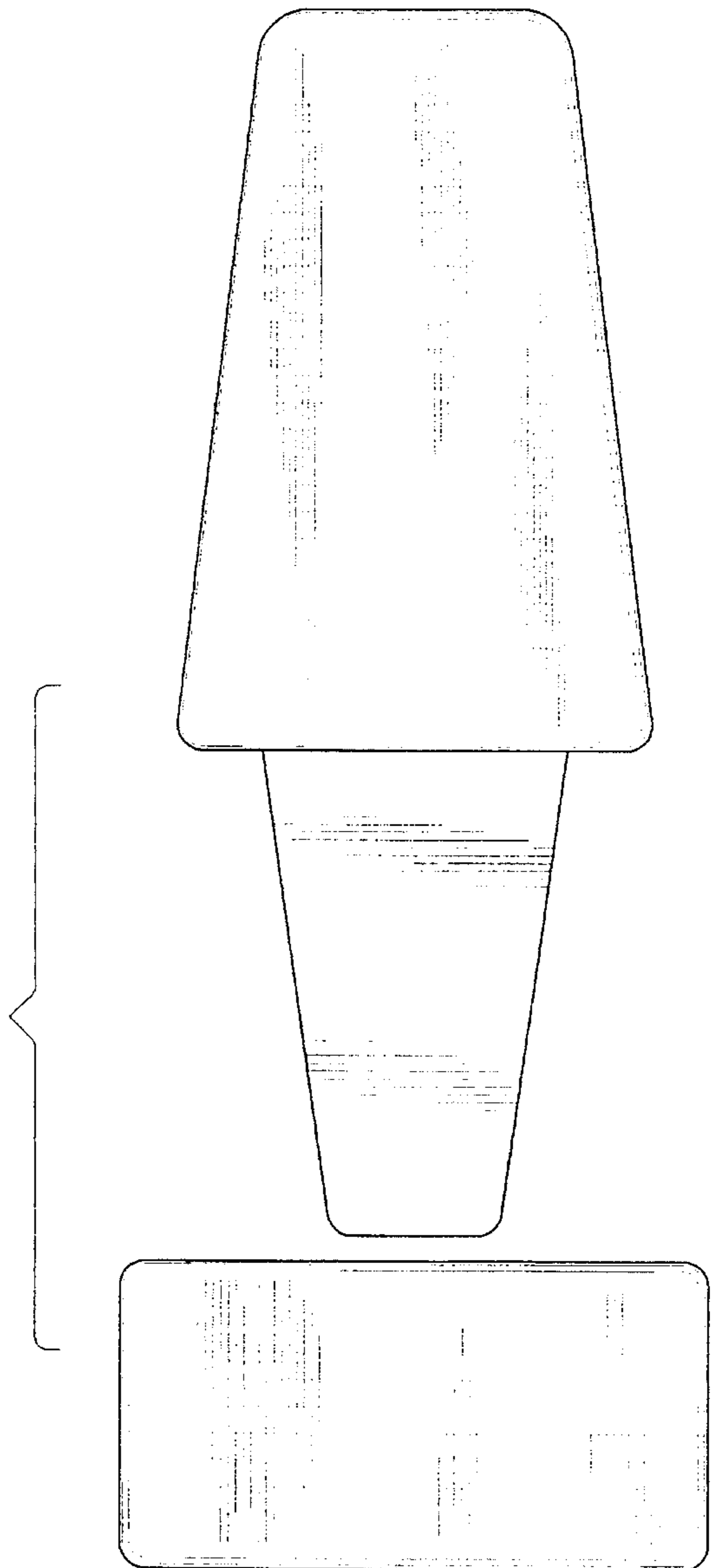


FIG. 3

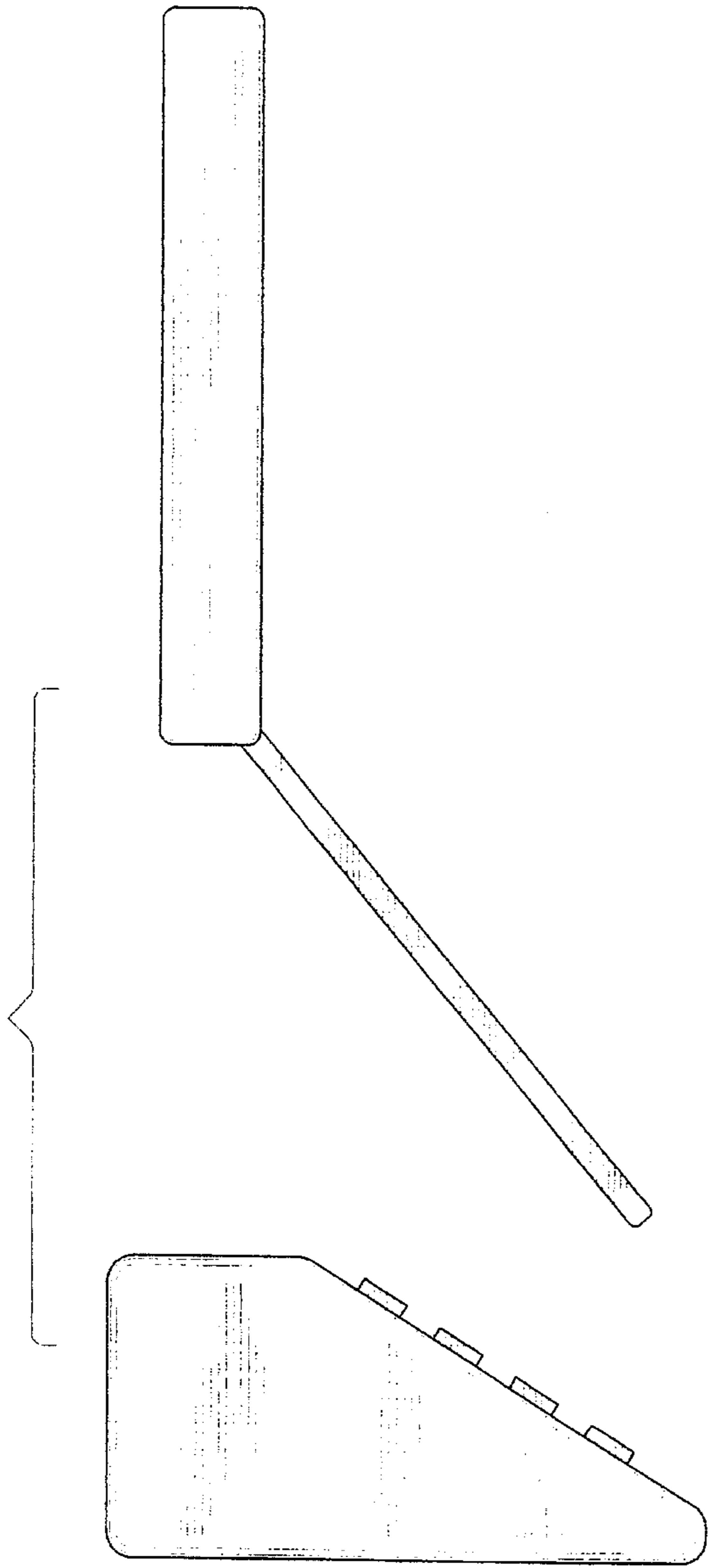


FIG. 4

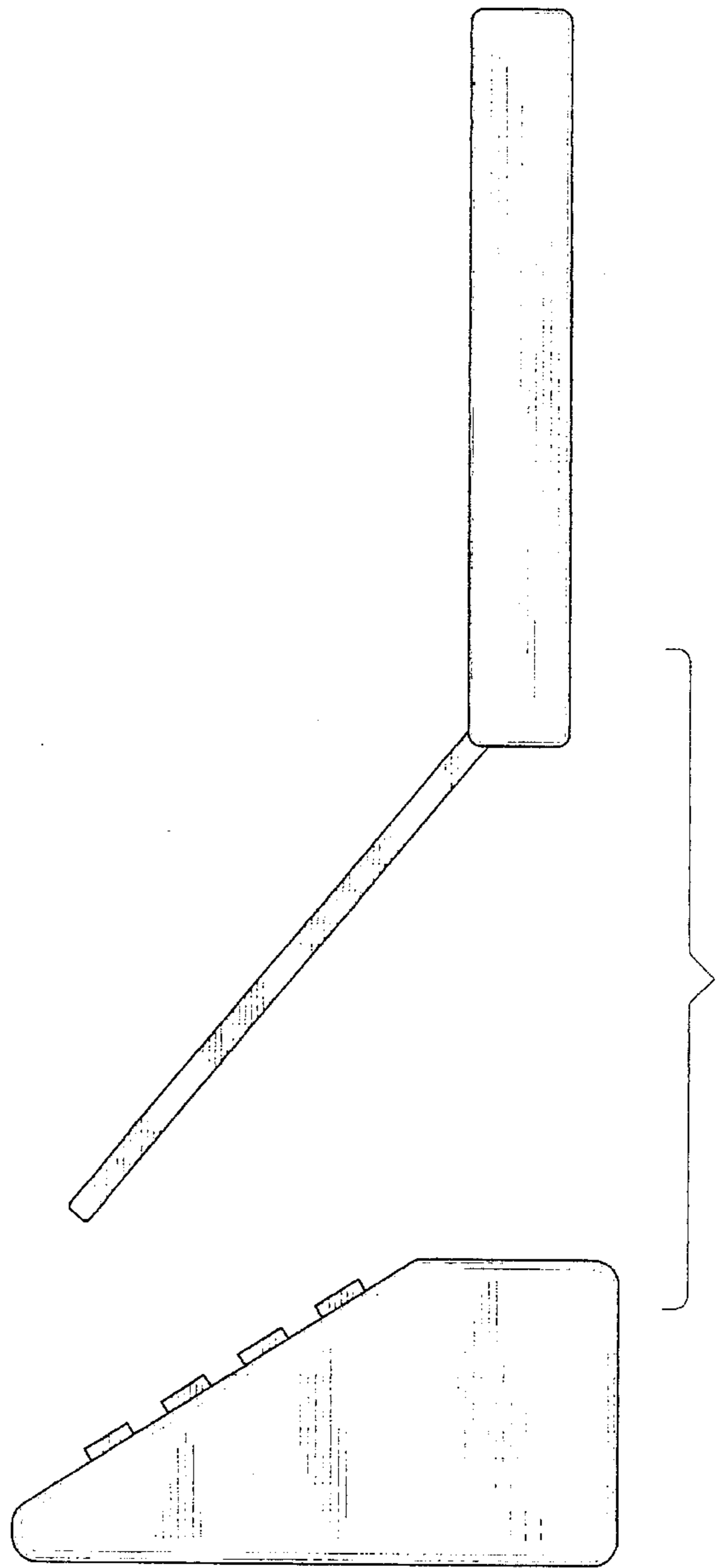


FIG. 5

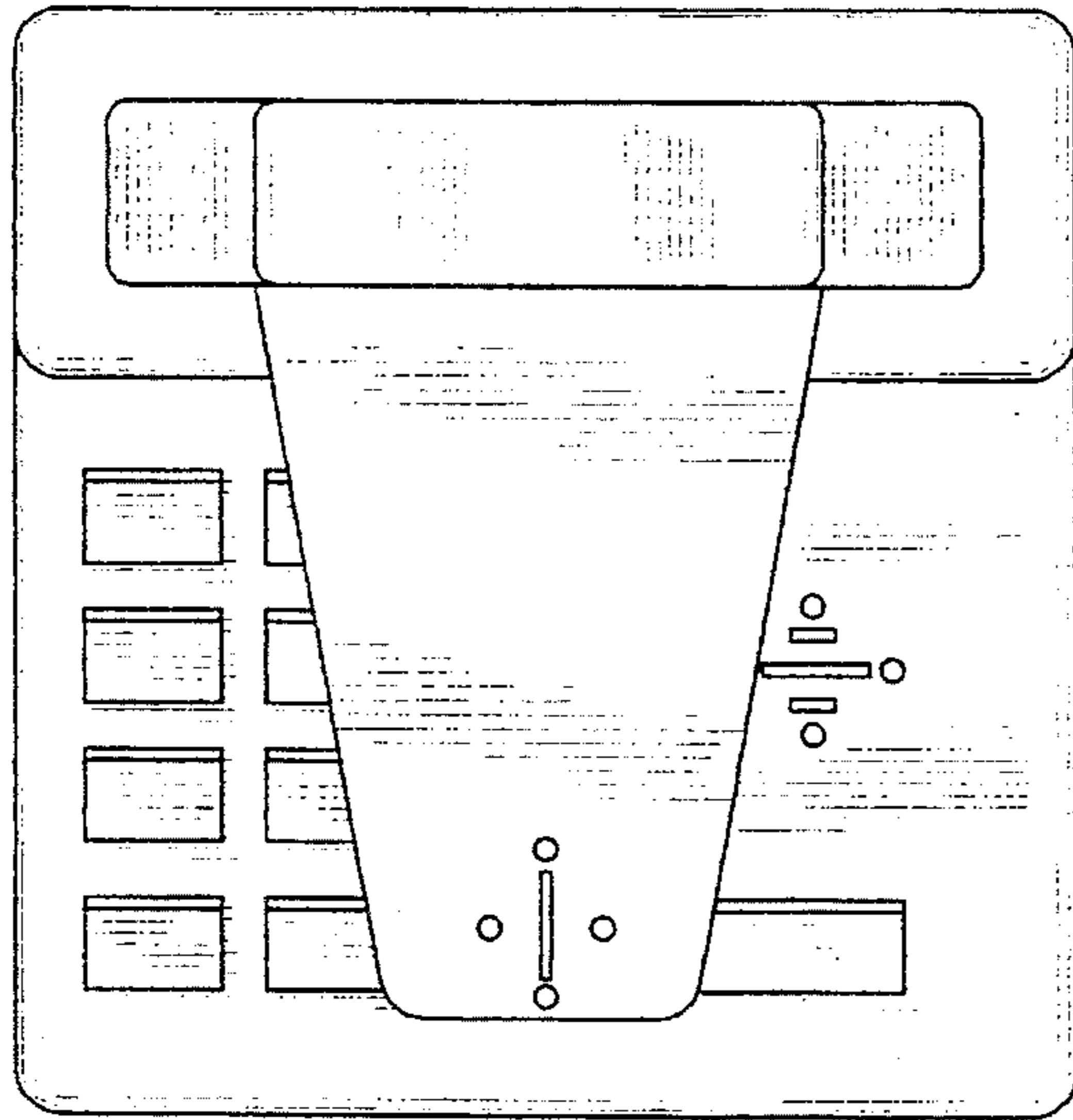


FIG. 6

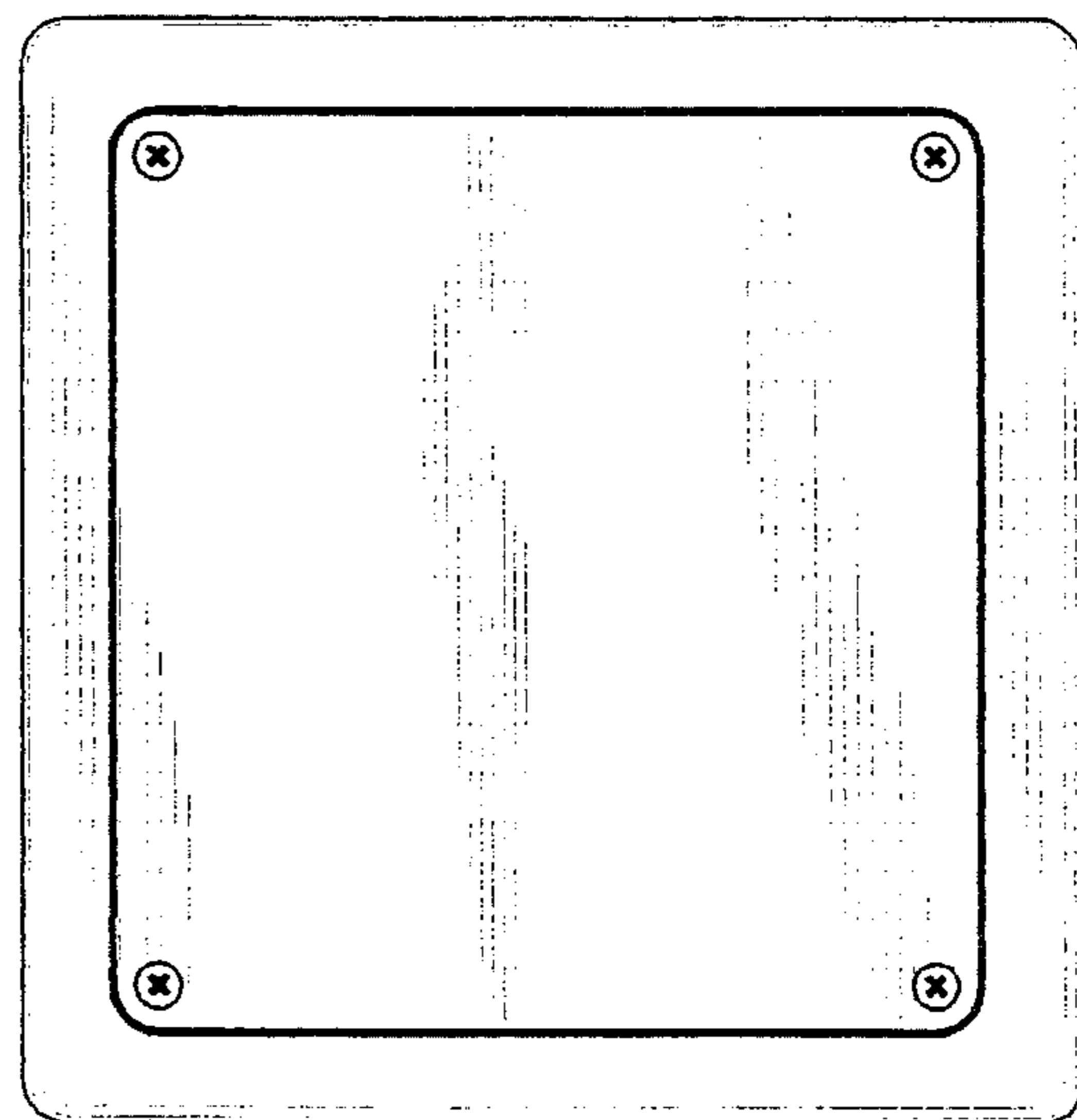


FIG. 7

