



US00D368706S

United States Patent [19] Mieki

[11] Patent Number: **Des. 368,706**
[45] Date of Patent: ****Apr. 9, 1996**

[54] **MONITOR PEDESTAL**
[75] Inventor: **Nariaki Mieki**, Yokohama, Japan
[73] Assignee: **International Business Machines Corporation**, Armonk, N.Y.
[**] Term: **14 Years**
[21] Appl. No.: **30,971**
[22] Filed: **Oct. 18, 1994**

D. 334,921 4/1993 Basara et al. D14/114
D. 338,882 8/1993 Reiter D14/114
4,946,127 8/1990 Kulaga 248/922 X
5,291,559 3/1994 Freadman 381/188

Primary Examiner—M. H. Tung
Attorney, Agent, or Firm—Martin J. McKinley; Craig J. Yudell; Andrew J. Dillon

[30] Foreign Application Priority Data

Apr. 28, 1994 [JP] Japan 6-12746
[52] **U.S. Cl.** **D14/114**
[58] **Field of Search** 181/144, 198-199,
181/155, 141; 381/88, 24, 98-100, 89-90;
D14/100, 114, 204, 210-211, 214; D6/449,
491, 445, 396, 512, 495; 248/125, 127,
133, 178-179, 183, 188.1, 188.2, 346, 371,
395, 917-924; 200/5 R, 5 A, 6 R, 6 A;
361/679-686; D13/184, 199

[57] CLAIM

The ornamental design for a monitor pedestal, as shown and described.

DESCRIPTION

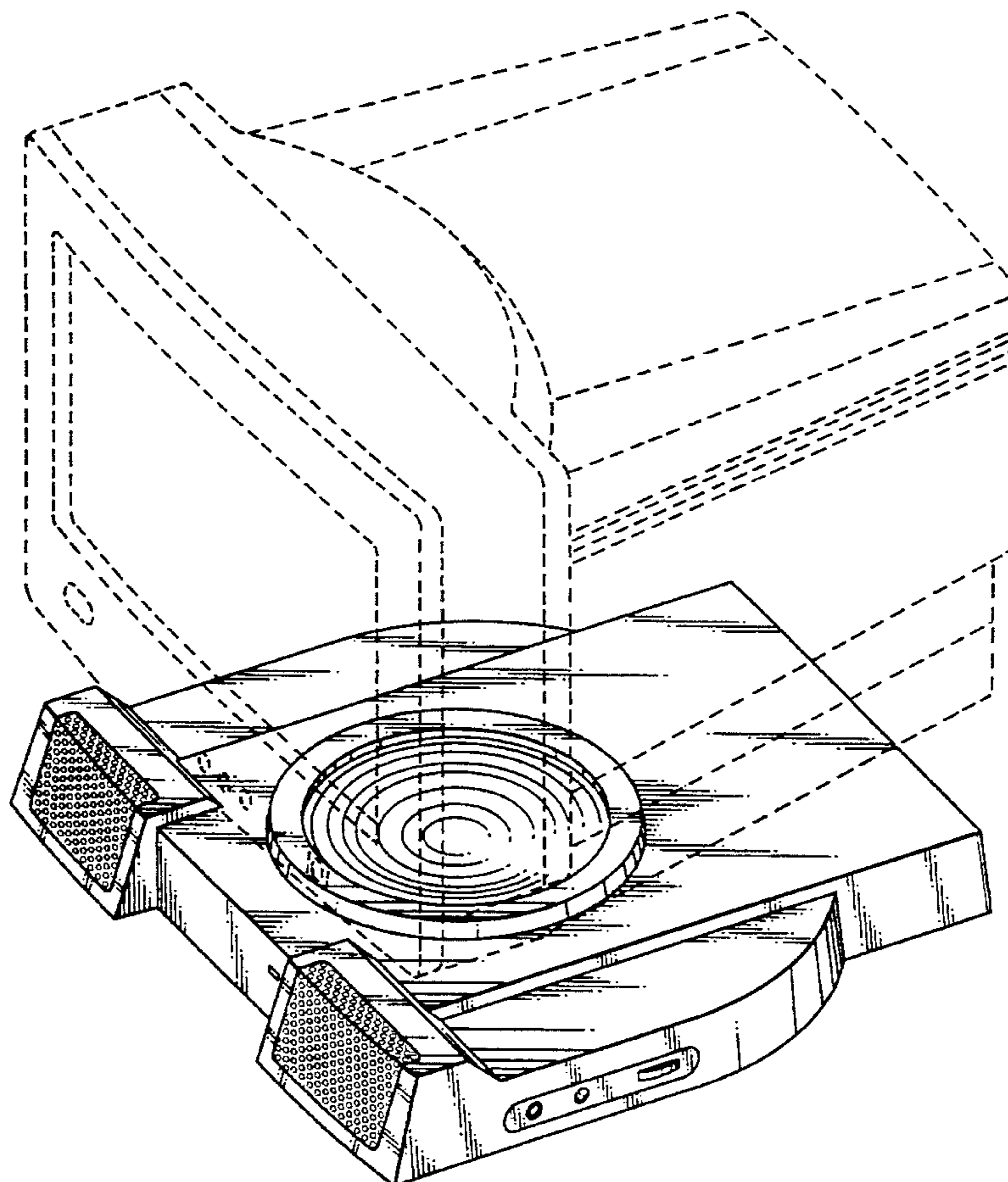
FIG. 1 is a top, right side perspective view of a monitor pedestal according to the design of the present invention, on a reduced scale;
FIG. 2 is a top, right side perspective view thereof, on a reduced scale, the broken line drawing of a monitor is for illustrative purposes only and forms no part of the claimed design;
FIG. 3 is a top plan view thereof;
FIG. 4 is a front elevational view thereof;
FIG. 5 is a rear elevational view thereof;
FIG. 6 is a bottom plan view thereof;
FIG. 7 is a right side elevational view thereof; and,
FIG. 8 is a left side elevational view thereof.

[56] References Cited

U.S. PATENT DOCUMENTS

D. 303,959 10/1989 Suyama et al. D14/114
D. 305,333 1/1990 Irby D14/214
D. 316,709 5/1991 Howard et al. D14/114

1 Claim, 5 Drawing Sheets



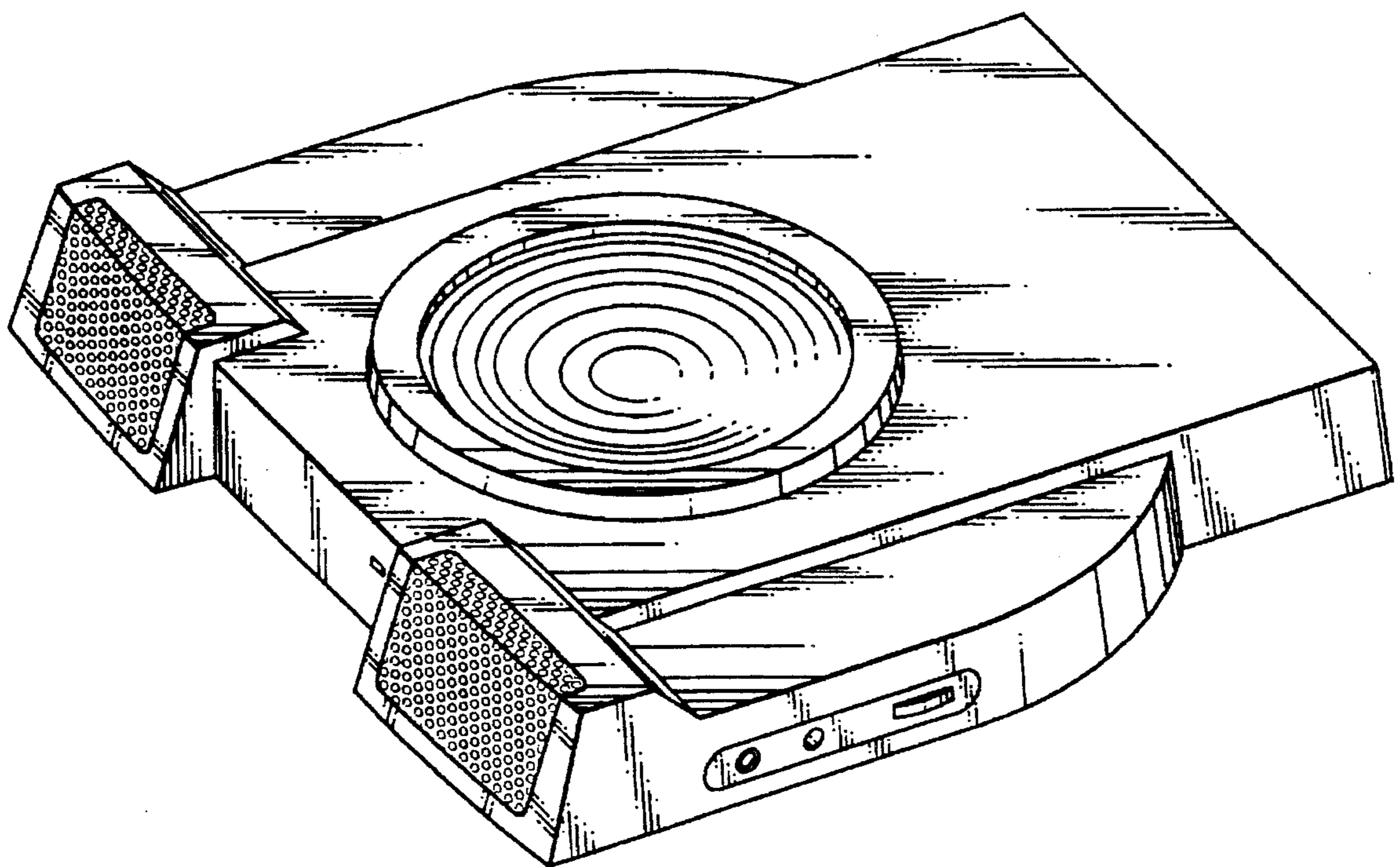


FIG. 1

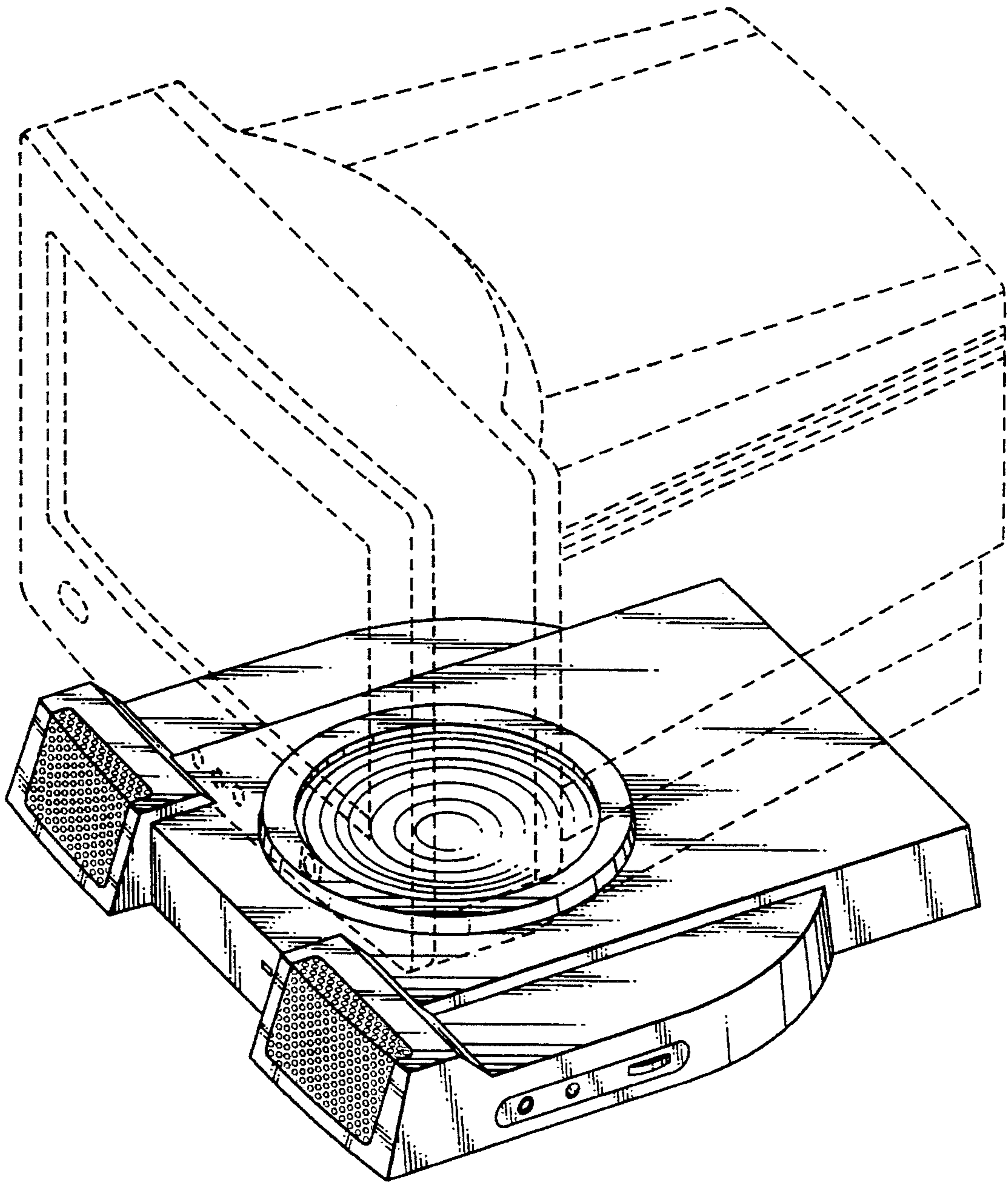


FIG. 2

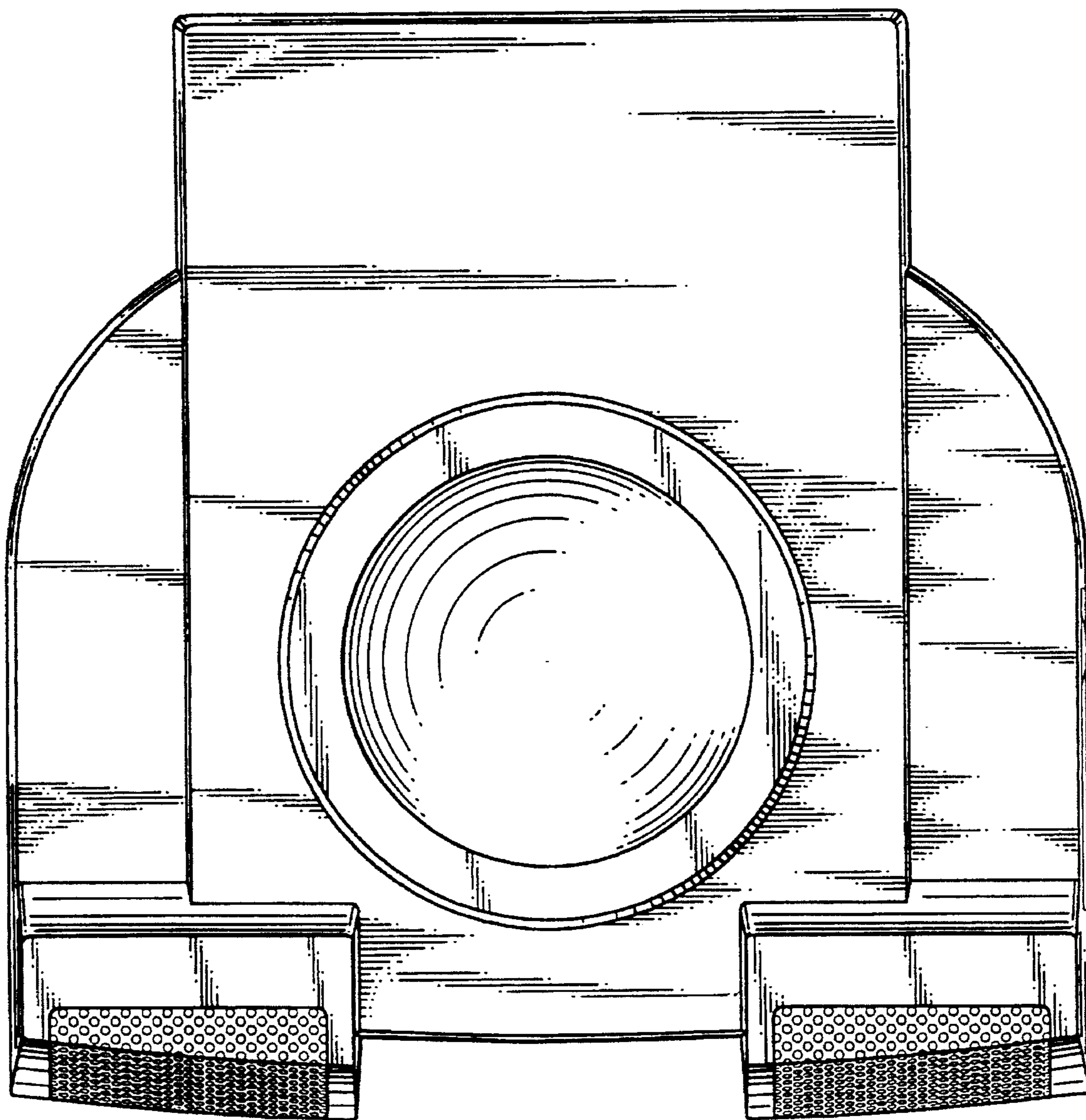


FIG. 3

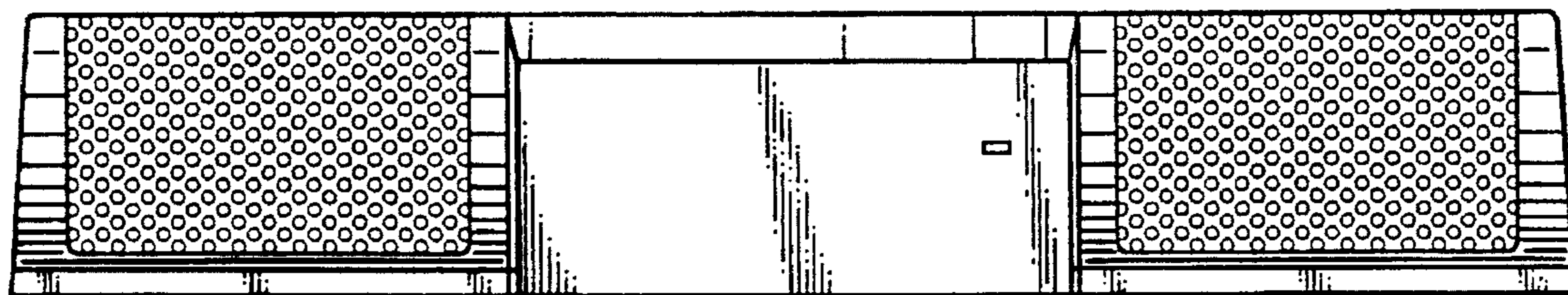


FIG. 4

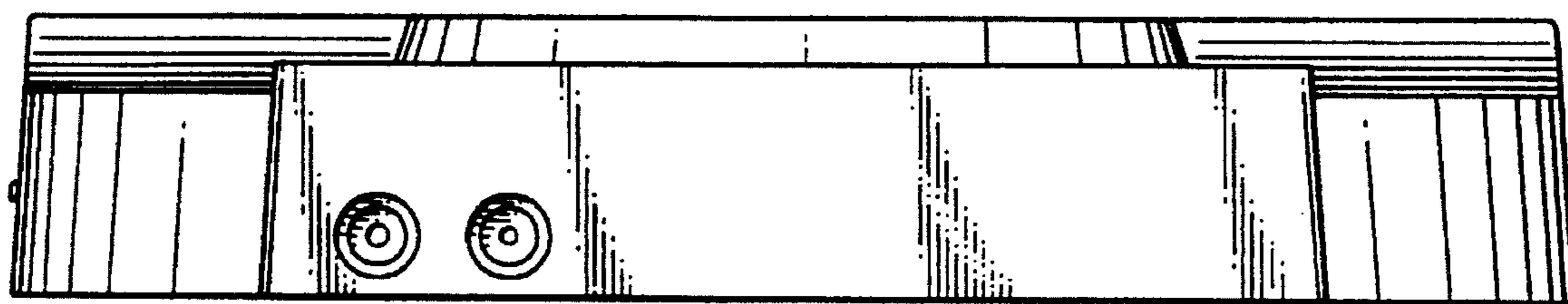


FIG. 5

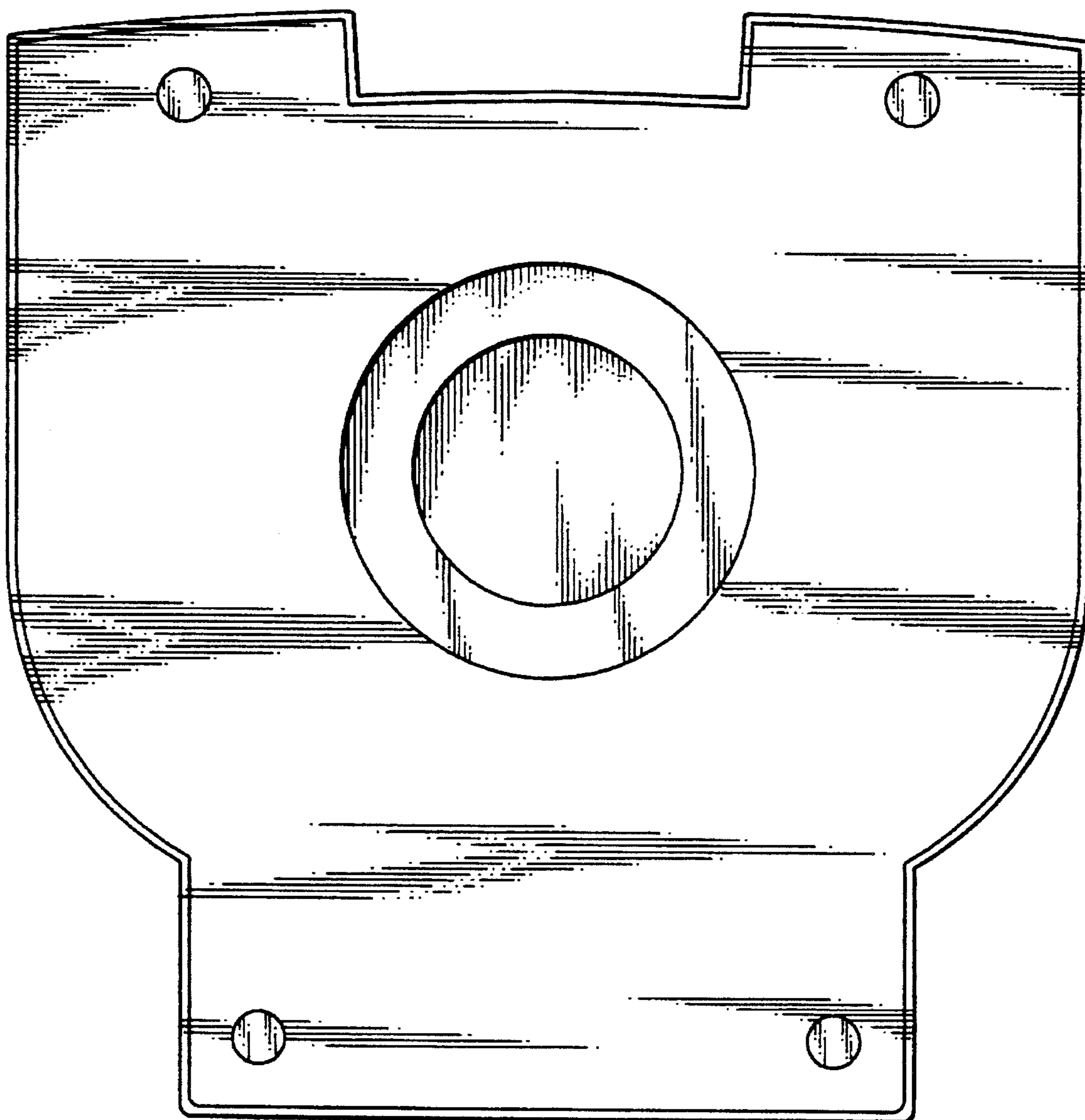


FIG. 6

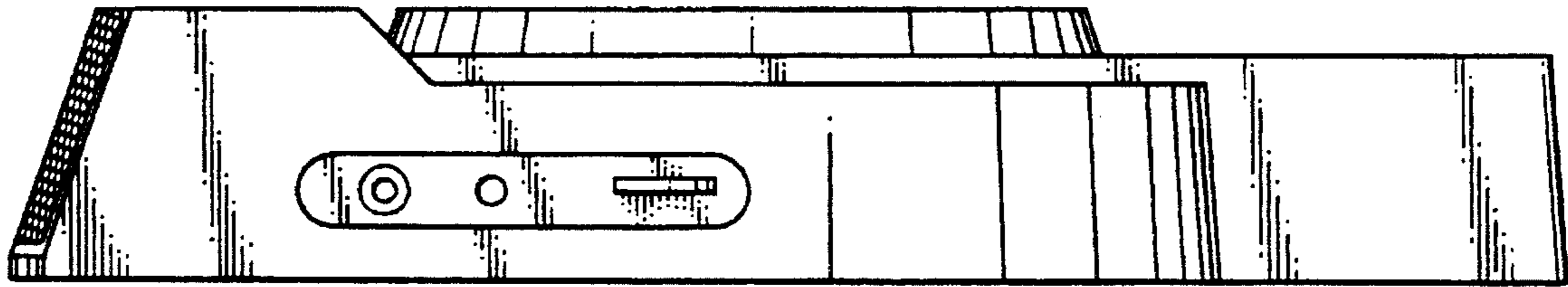


FIG. 7

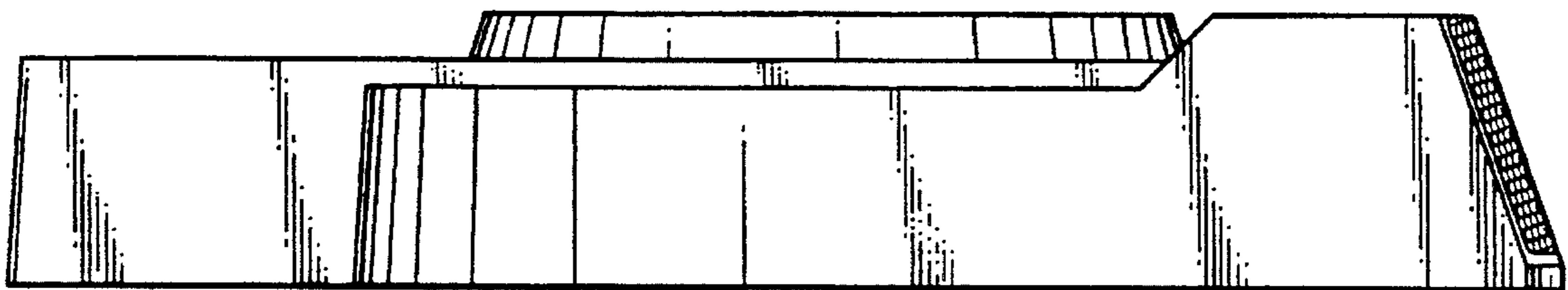


FIG. 8