



US00D368704S

United States Patent [19] Tanaka

[11] Patent Number: **Des. 368,704**
[45] Date of Patent: ****Apr. 9, 1996**

[54] UNIT FOR EXTENDING THE FUNCTIONS OF AN ELECTRONIC COMPUTER

[75] Inventor: **Keita Tanaka**, Tokyo, Japan
[73] Assignee: **Kabushiki Kaisha Toshiba**, Kanagawa, Japan
[**] Term: **14 Years**

[21] Appl. No.: **37,627**
[22] Filed: **Apr. 18, 1995**

[30] Foreign Application Priority Data

Oct. 25, 1994 [JP] Japan 6-32204
[52] U.S. Cl. **D14/107**
[58] Field of Search D14/100, 107, D14/114; 361/683-686; 364/708.1

[56] References Cited

U.S. PATENT DOCUMENTS

D. 292,405	10/1987	Kitani et al.	D14/111
D. 310,998	10/1990	Lee et al.	D14/100
D. 313,404	1/1991	Myers	D14/107
D. 320,196	9/1991	Carter et al.	D14/107
D. 331,573	12/1992	Iino	D14/107
D. 331,920	12/1992	Iino	D14/107
D. 332,090	12/1992	Iino	D14/107
D. 332,091	12/1992	Iino	D14/107
D. 335,490	5/1993	Mesfin et al.	D14/107
D. 342,060	12/1993	Iino	D14/107
D. 342,487	12/1993	Iino	D14/107
D. 354,949	1/1995	Yao	D14/100
D. 359,034	6/1995	Kondo	D14/107
5,159,533	10/1992	Kuang	361/391
5,182,698	1/1993	Kobayashi et al.	361/395
5,182,699	1/1993	Kobayashi et al.	361/395
5,283,714	2/1994	Tsai et al.	361/683

FOREIGN PATENT DOCUMENTS

708621	7/1987	Japan .
740409	9/1988	Japan .
791802	7/1990	Japan .
791816	7/1990	Japan .
890706	2/1994	Japan .
905729	8/1994	Japan .
115873	6/1990	Rep. of Korea .
107481	9/1990	Rep. of Korea .
127189	1/1990	Taiwan .
134452	3/1990	Taiwan .

OTHER PUBLICATIONS

Sony Quarter L, Oct. 24, 1991.
Nippon SB300XD, Dec. 7, 1994.
Compaq LTE May 20, 1992.

Primary Examiner—Freda Nunn
Attorney, Agent, or Firm—Banner & Allegretti, Ltd.

[57] CLAIM

The ornamental design for a unit for extending the functions of an electronic computer, as shown and described.

DESCRIPTION

FIG. 1 is a top, front and right side perspective view of a unit for extending the functions of an electronic computer showing my new design;
FIG. 2 is a front elevational view thereof;
FIG. 3 is a rear elevational view thereof;
FIG. 4 is a top plan view thereof;
FIG. 5 is a bottom plan view thereof;
FIG. 6 is a left side elevational view thereof;
FIG. 7 is a right side elevational view thereof; and,
FIG. 8 is a top, front and right side perspective view thereof showing the unit in an operable position with a computer being shown in broken lines for illustrative purposes only and forming no part of the claimed design.

1 Claim, 4 Drawing Sheets

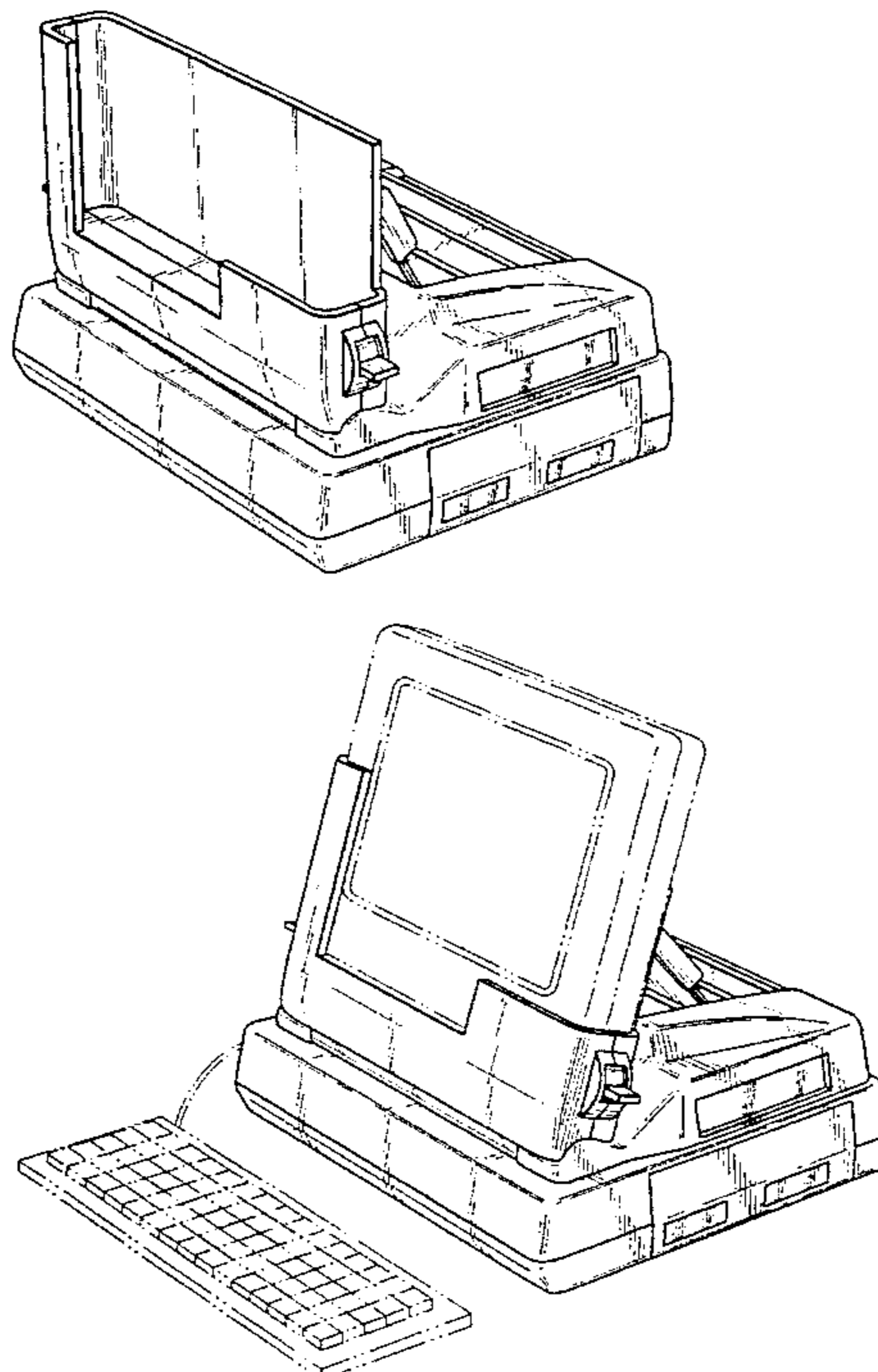


FIG. 1

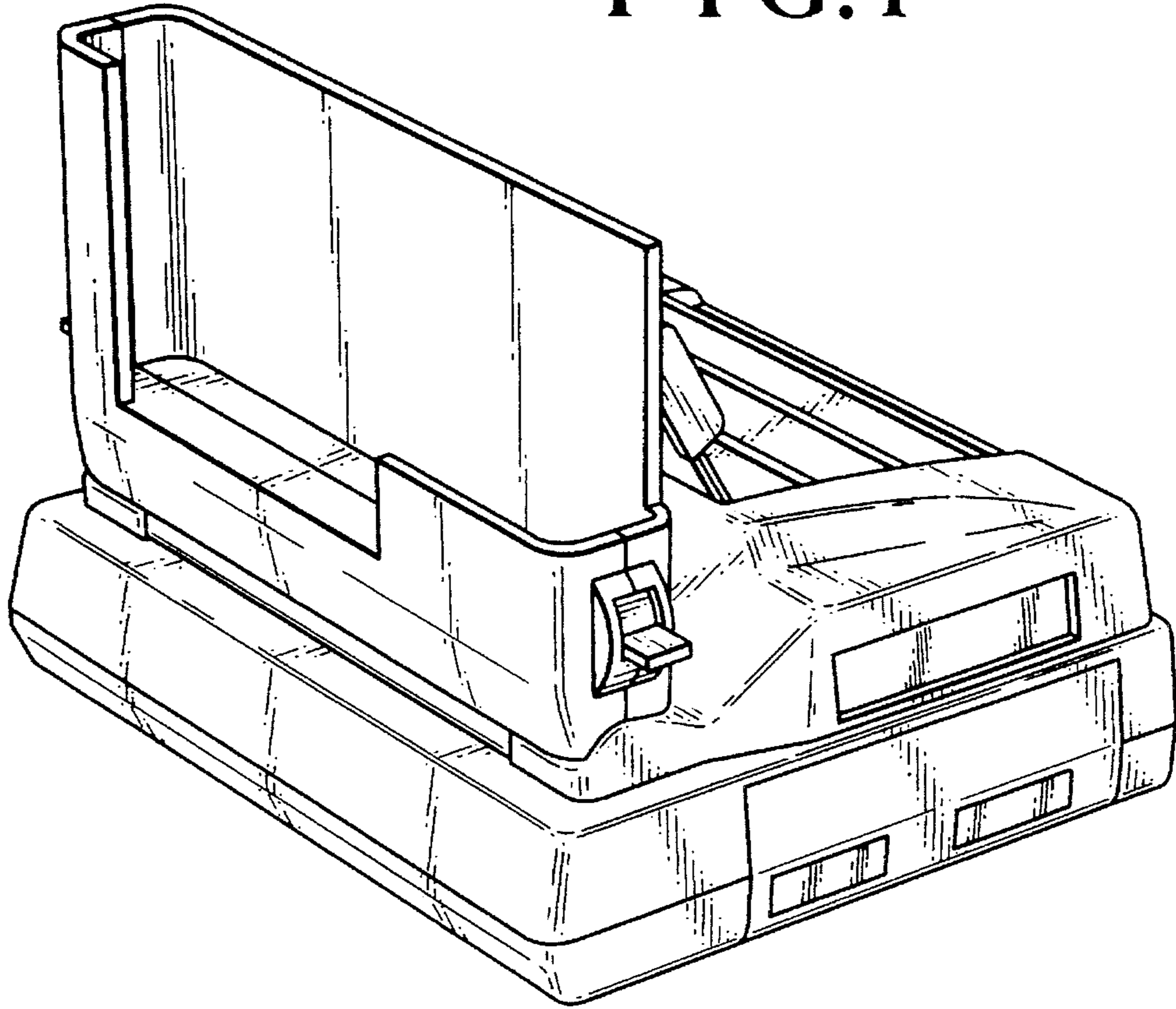


FIG. 2

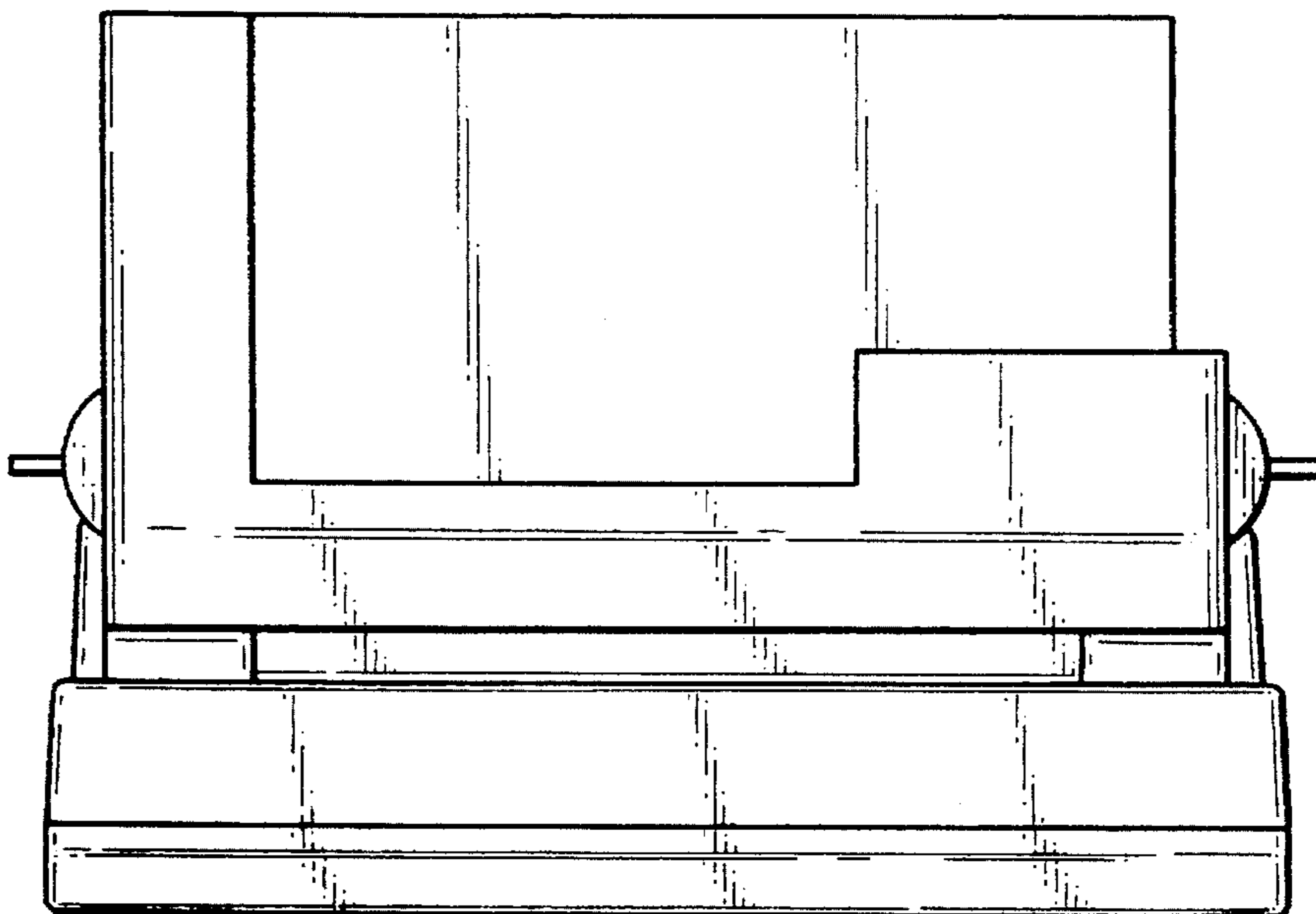


FIG. 3

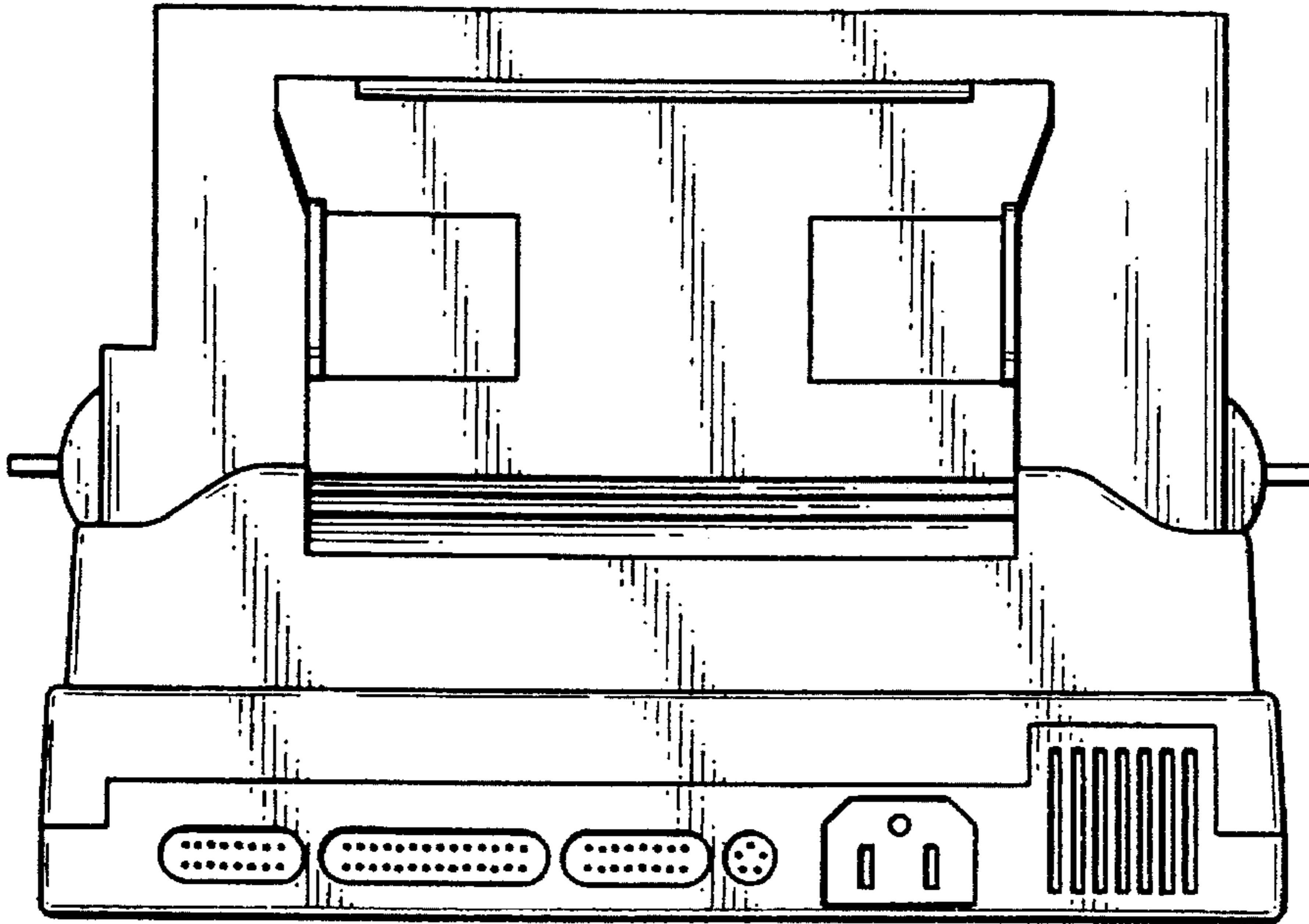


FIG. 4

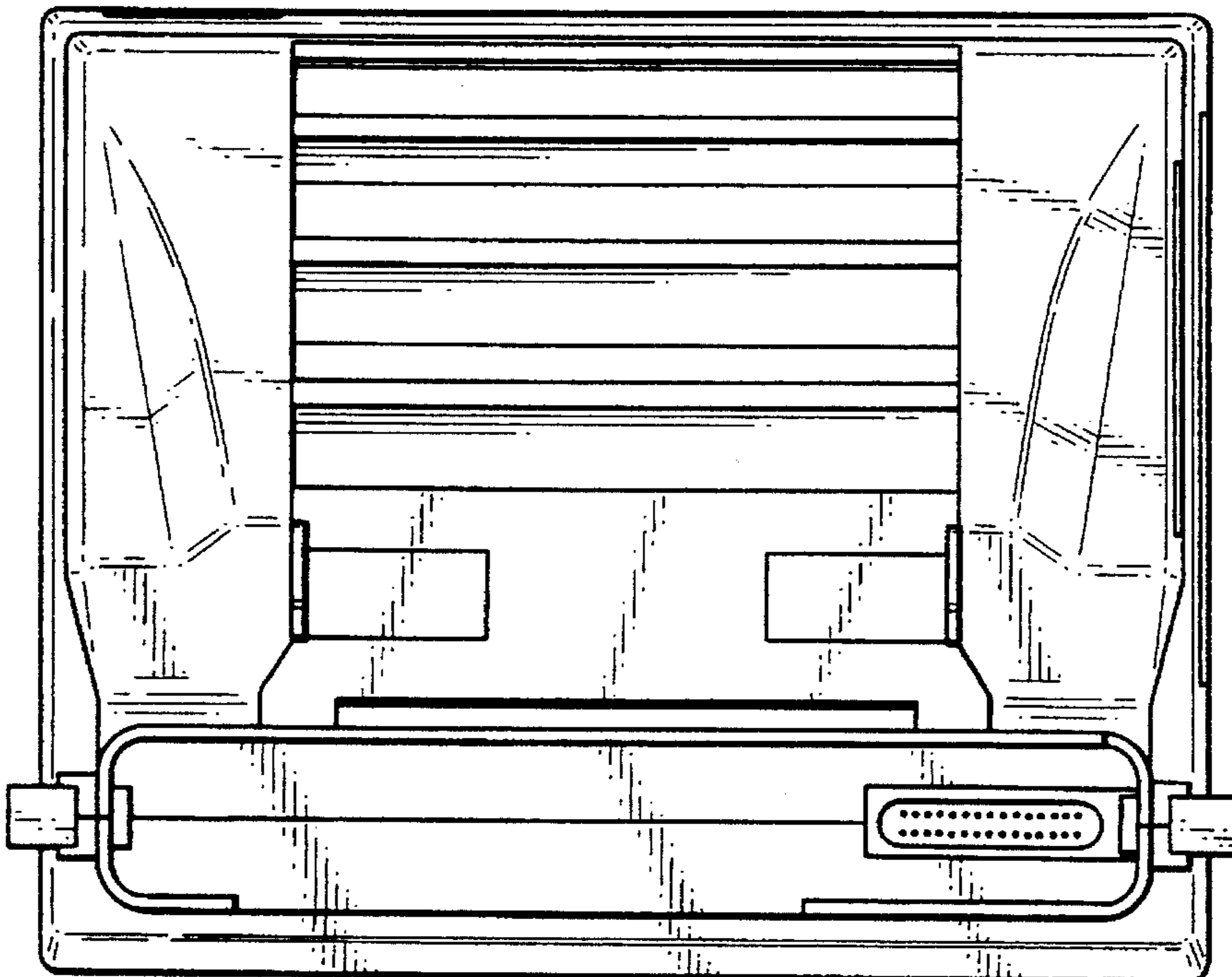


FIG. 5

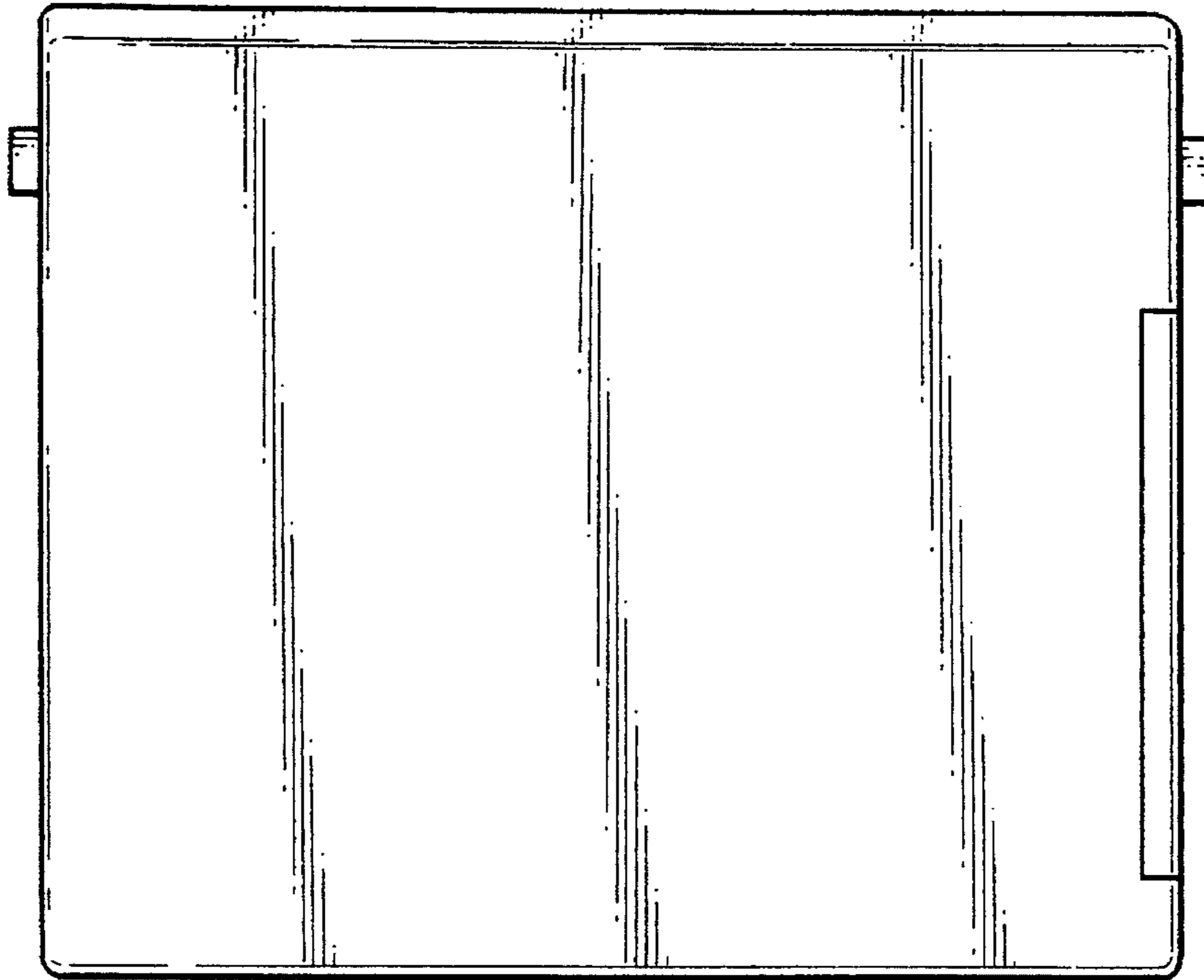


FIG. 6

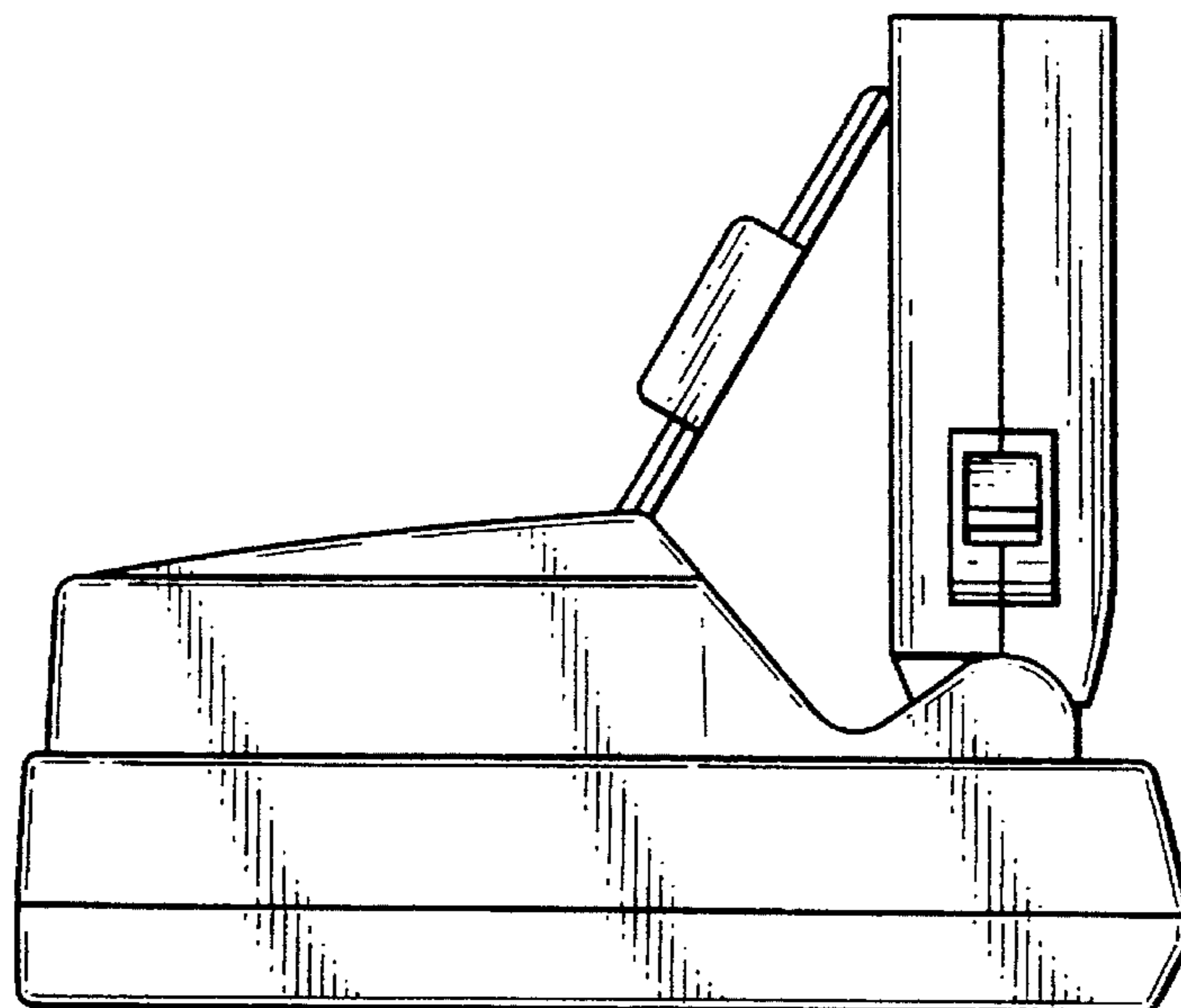


FIG. 7

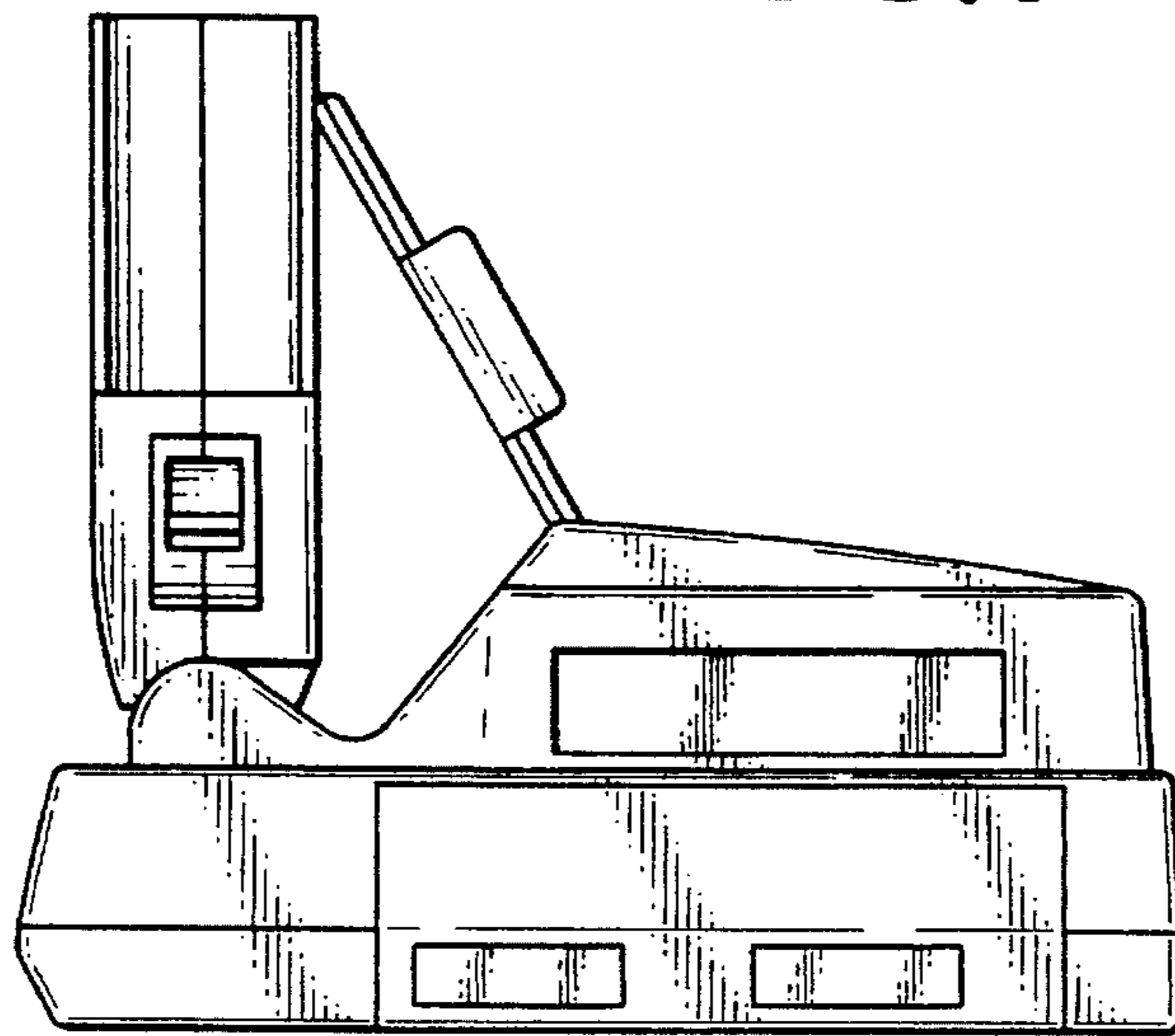


FIG. 8

