



US00D368701S

United States Patent [19]

Foy

[11] Patent Number: **Des. 368,701**

[45] Date of Patent: ****Apr. 9, 1996**

[54] **ELECTRONIC DATA STORAGE AND RETRIEVAL DEVICE**

4,420,682 12/1983 Huber D14/100 X
5,347,593 9/1994 Klinefelter D14/107 X

[75] Inventor: **Hunter Foy**, Boca Raton, Fla.

Primary Examiner—Freda Nunn
Attorney, Agent, or Firm—Renner Otto Boisselle and Sklar

[73] Assignee: **Rexon, Inc**, Longmont, Colo.

[**] Term: **14 Years**

[57] **CLAIM**

[21] Appl. No.: **36,144**

The ornamental design for an electronic data storage and retrieval device, as shown and described.

[22] Filed: **Mar. 14, 1995**

DESCRIPTION

[52] U.S. Cl. **D14/100**

[58] **Field of Search** D14/100, 105,
D14/107; 235/454, 462, 470, 380, 382,
382.5, 476, 482, 483, 441; 358/408, 472,
474, 497; 354/80-82; 382/2-4, 59, 62-65;
118/31.5; 283/68-70, 74, 75, 78; 364/708.1;
361/679-686

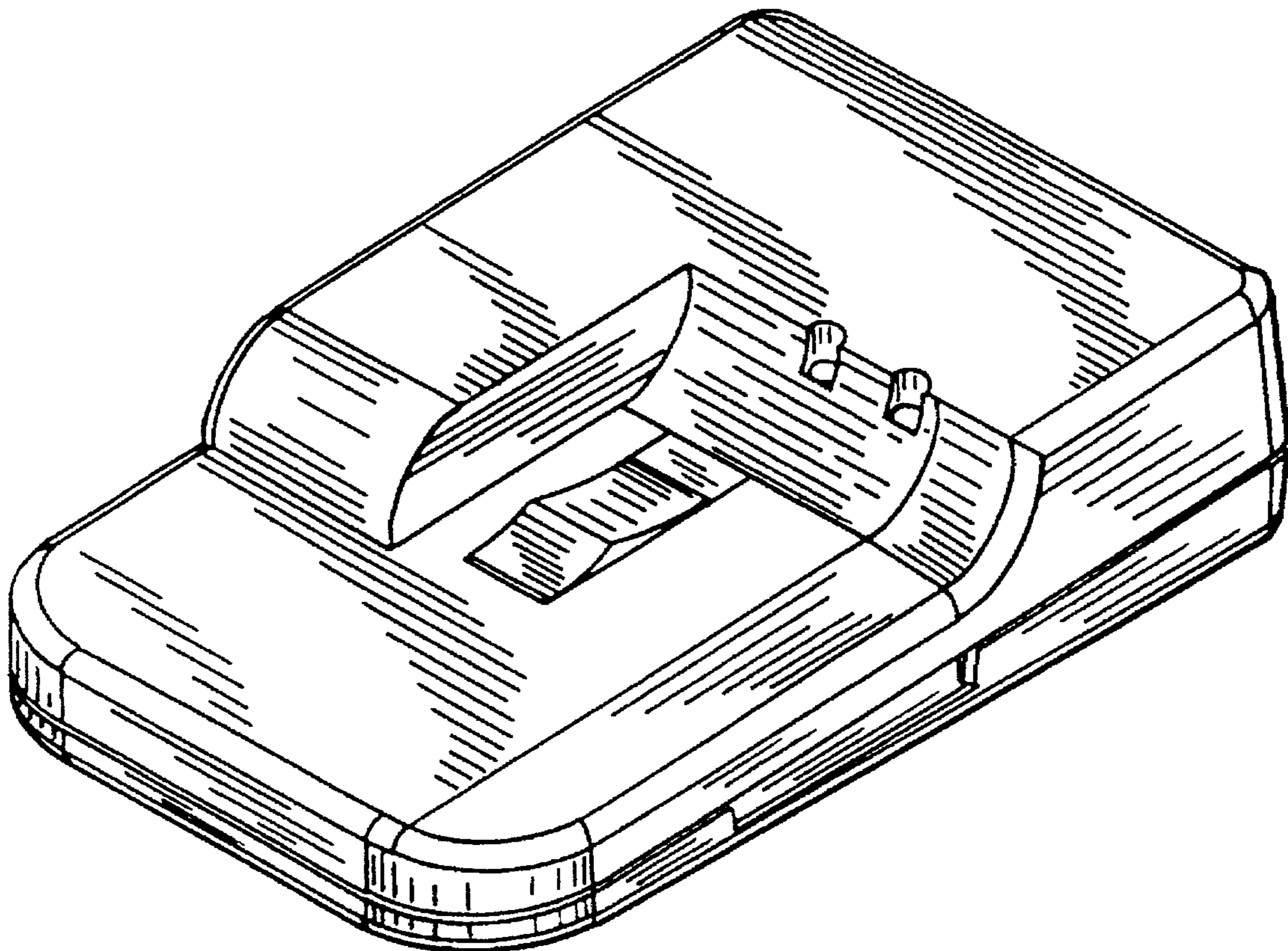
FIG. 1 is a perspective view of a electronic data storage and retrieval device showing my new design;
FIG. 2 is a right side elevation view thereof;
FIG. 3 is a front elevation view thereof;
FIG. 4 is a top plan view thereof;
FIG. 5 is a left side elevation view thereof;
FIG. 6 is a rear elevation view thereof; and,
FIG. 7 is a bottom plan view thereof.

[56] **References Cited**

U.S. PATENT DOCUMENTS

D. 311,522 10/1990 Knight D14/106

1 Claim, 2 Drawing Sheets



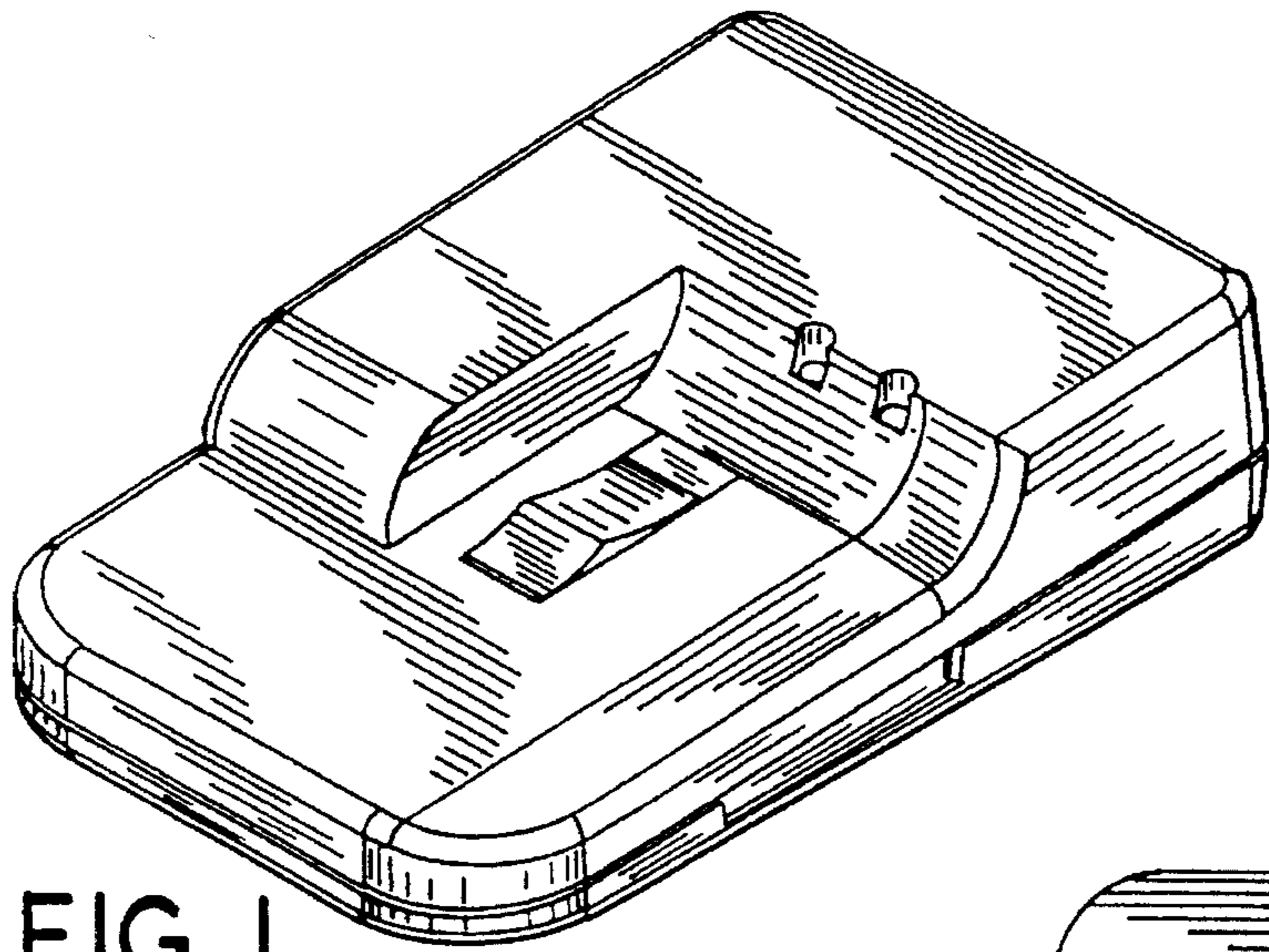


FIG. 1

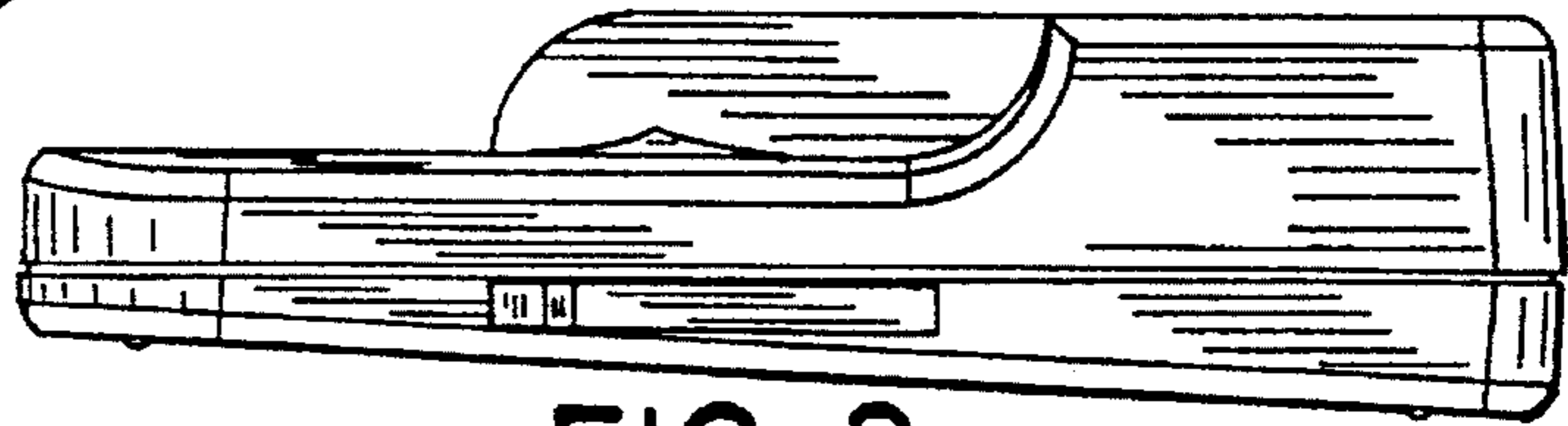


FIG. 2

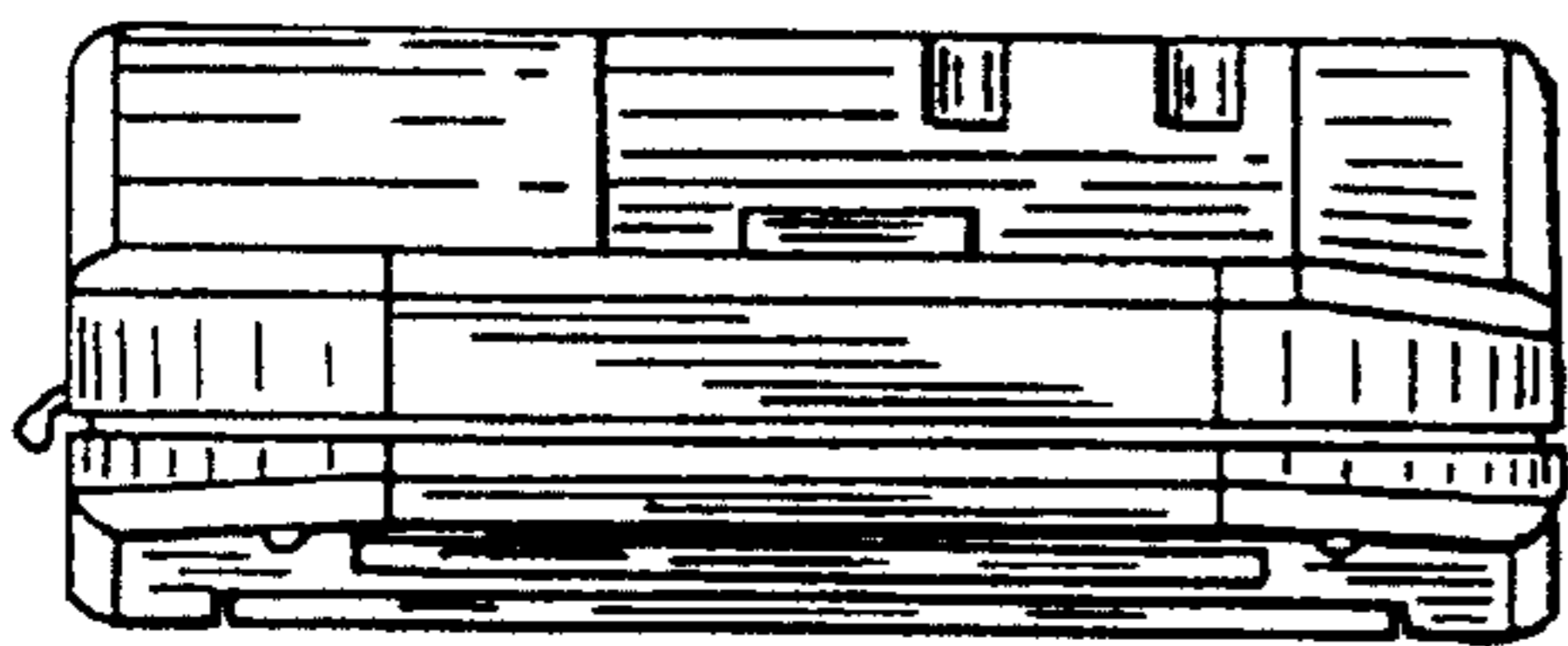


FIG. 3

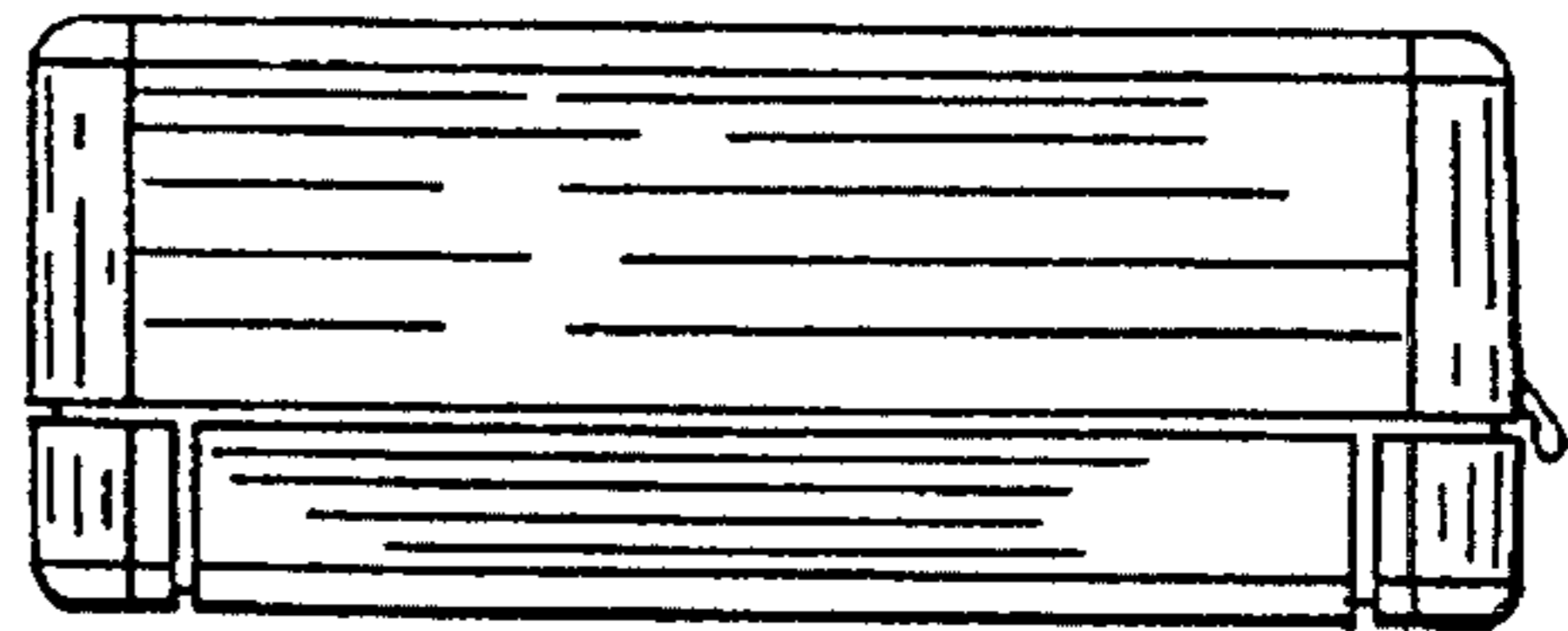


FIG. 6



FIG. 5

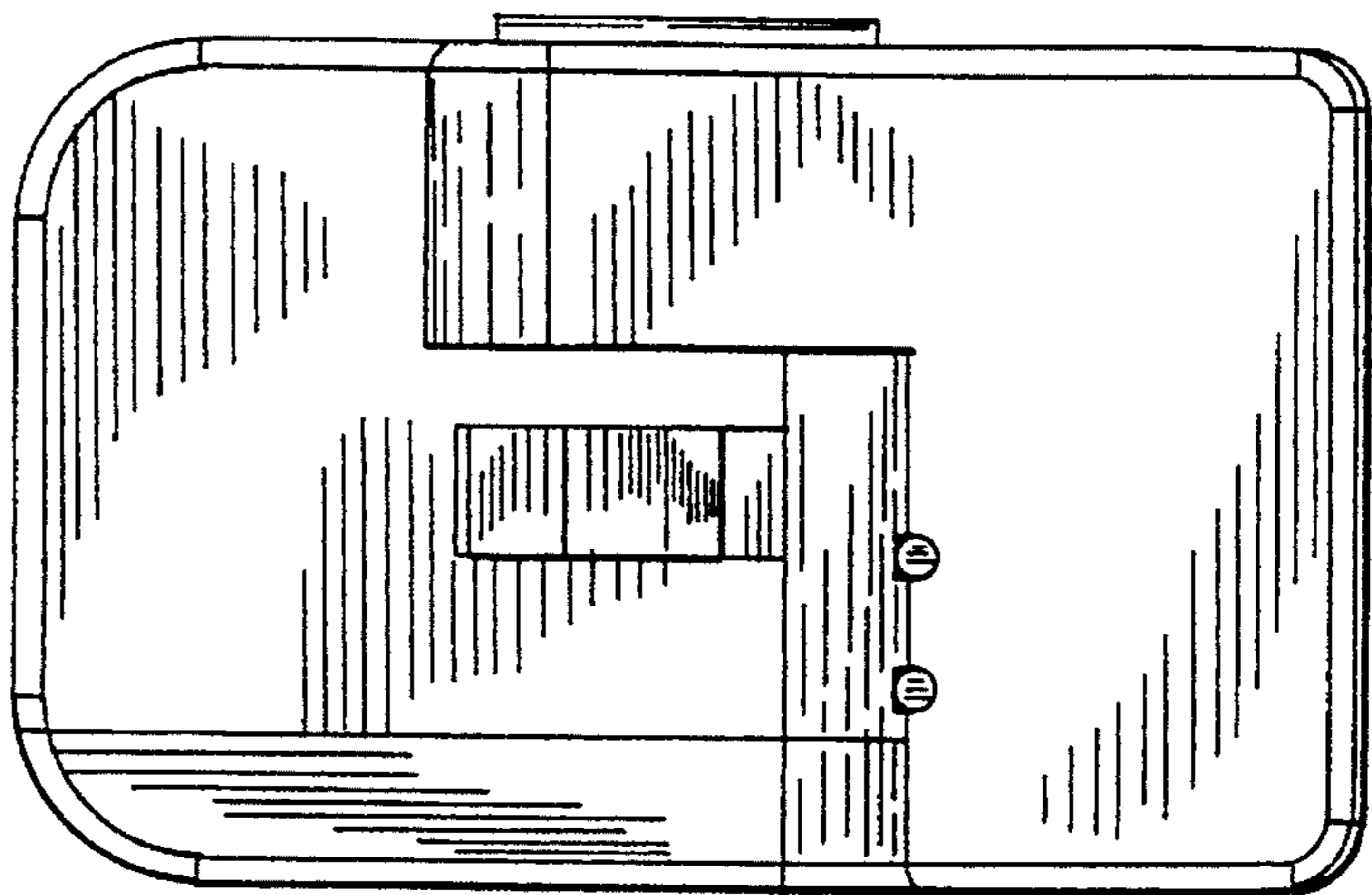


FIG. 4

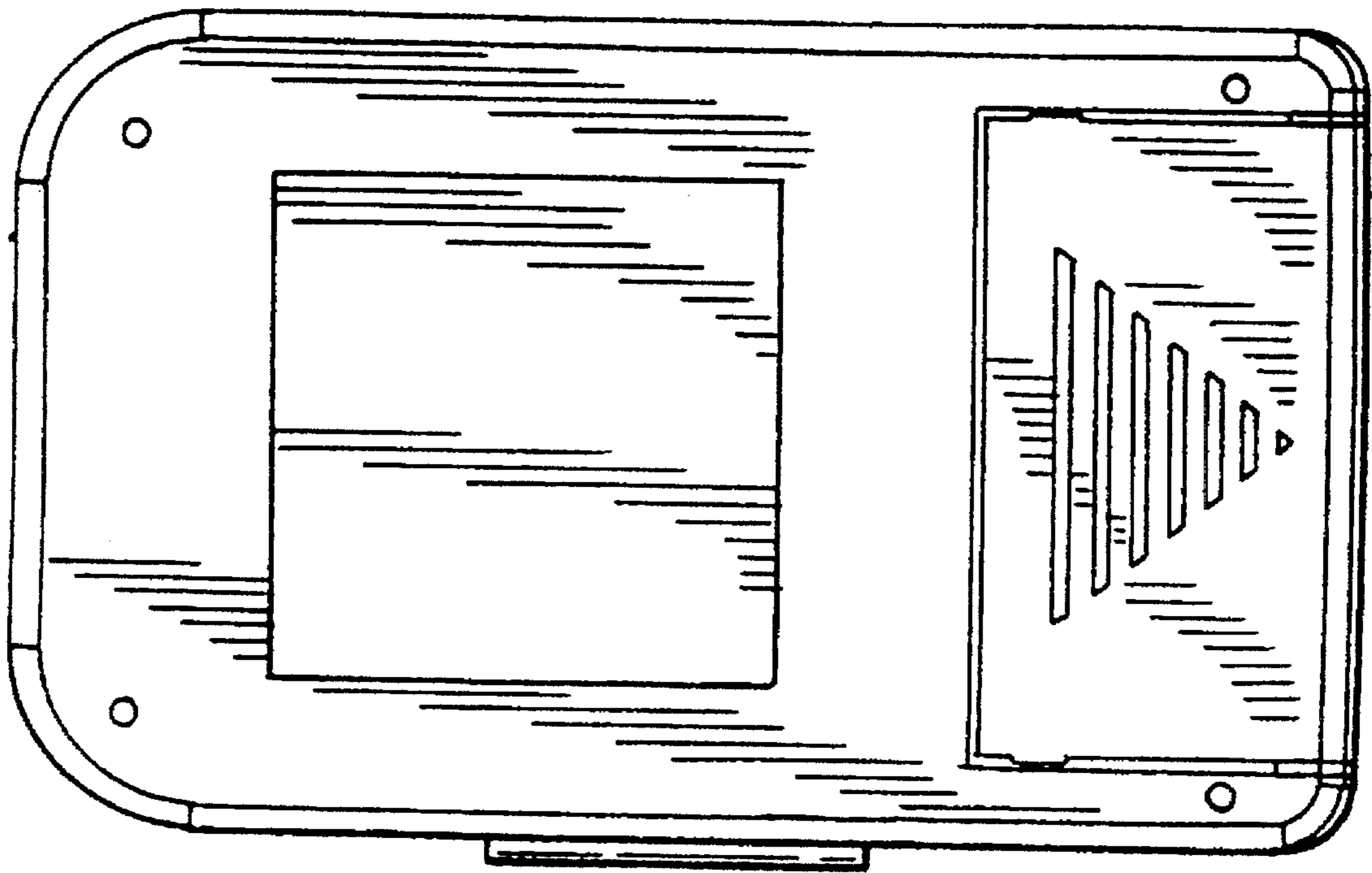


FIG. 7