



US00D368697S

United States Patent [19]
Hoard

[11] **Patent Number: Des. 368,697**
[45] **Date of Patent: **Apr. 9, 1996**

[54] **COAXIAL CABLE CONNECTOR**

[76] Inventor: **Elwyn E. Hoard**, 739 E. Liberty St.,
Milford, Mich. 48381-2056

[**] Term: **14 Years**

[21] Appl. No.: **39,223**

[22] Filed: **May 24, 1995**

[52] U.S. Cl. **D13/133**

[58] Field of Search **D13/133; 439/578,**
439/585, 752, 825, 826, 827, 828, 834,
842, 851, 856

[56] **References Cited**

U.S. PATENT DOCUMENTS

D. 327,872	7/1992	McMills et al.	D13/133
D. 337,988	8/1993	Wright	D13/133
D. 337,990	8/1993	Wright	D13/133
3,926,499	12/1975	Bailey et al.	339/136 R
4,647,135	3/1987	Reinhardt	339/103 R

4,941,850	7/1990	Ankers et al.	439/610
5,044,990	9/1991	Knotts	439/578
5,141,451	8/1992	Down	439/585
5,217,393	6/1993	Del Negro et al.	439/585
5,362,251	11/1994	Bielak	439/584 X

Primary Examiner—Joel Sincavage

[57] **CLAIM**

The ornamental design for a coaxial cable connector, as shown and described.

DESCRIPTION

FIG. 1 is a front, top and side perspective view of the coaxial cable connector embodying the design of the present invention;

FIG. 2 is a side elevational view thereof;

FIG. 3 is an end view of the female half of the connector; and,

FIG. 4 is an end view of the male half of the connector.

1 Claim, 2 Drawing Sheets

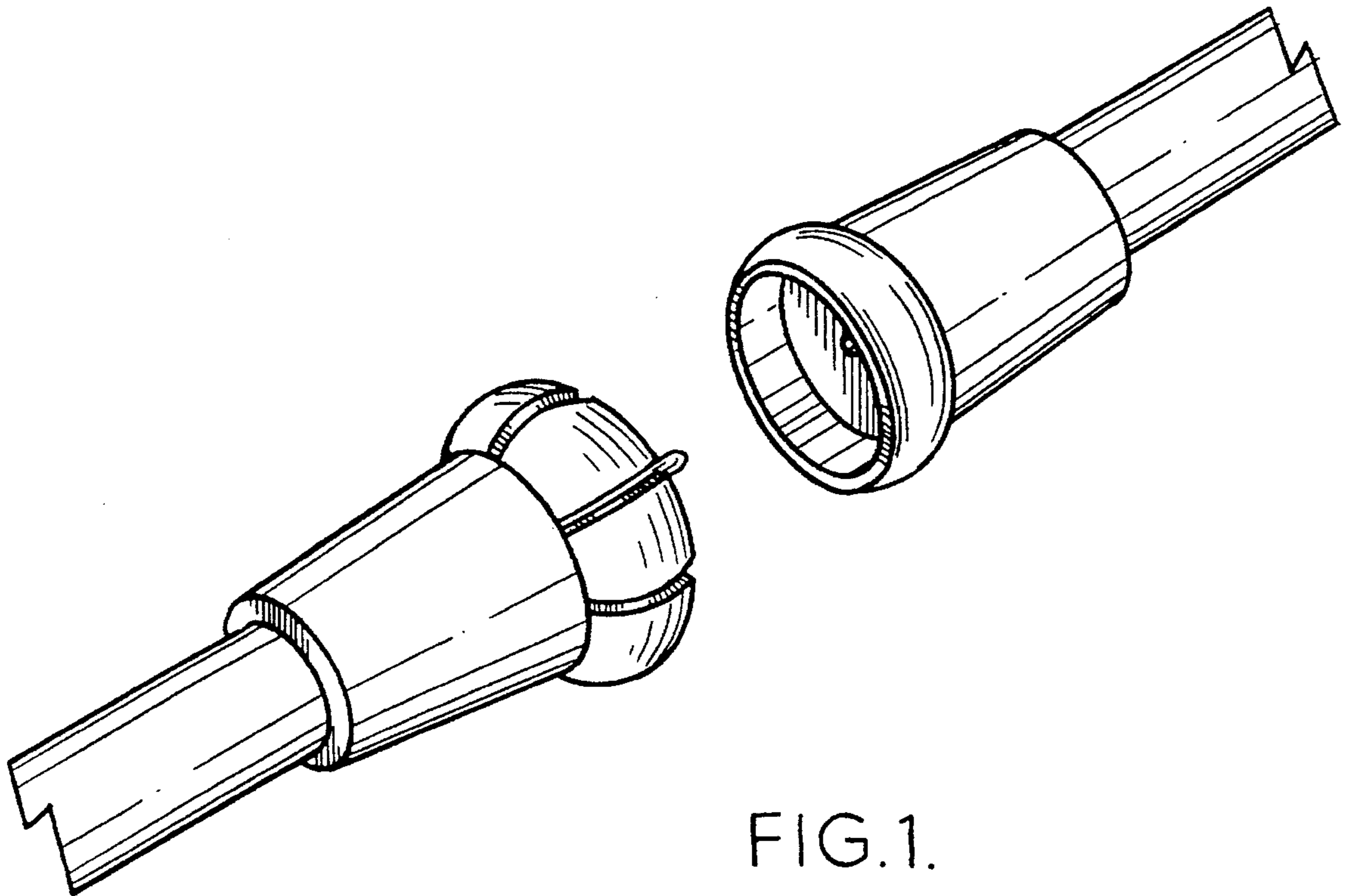


FIG. 1.

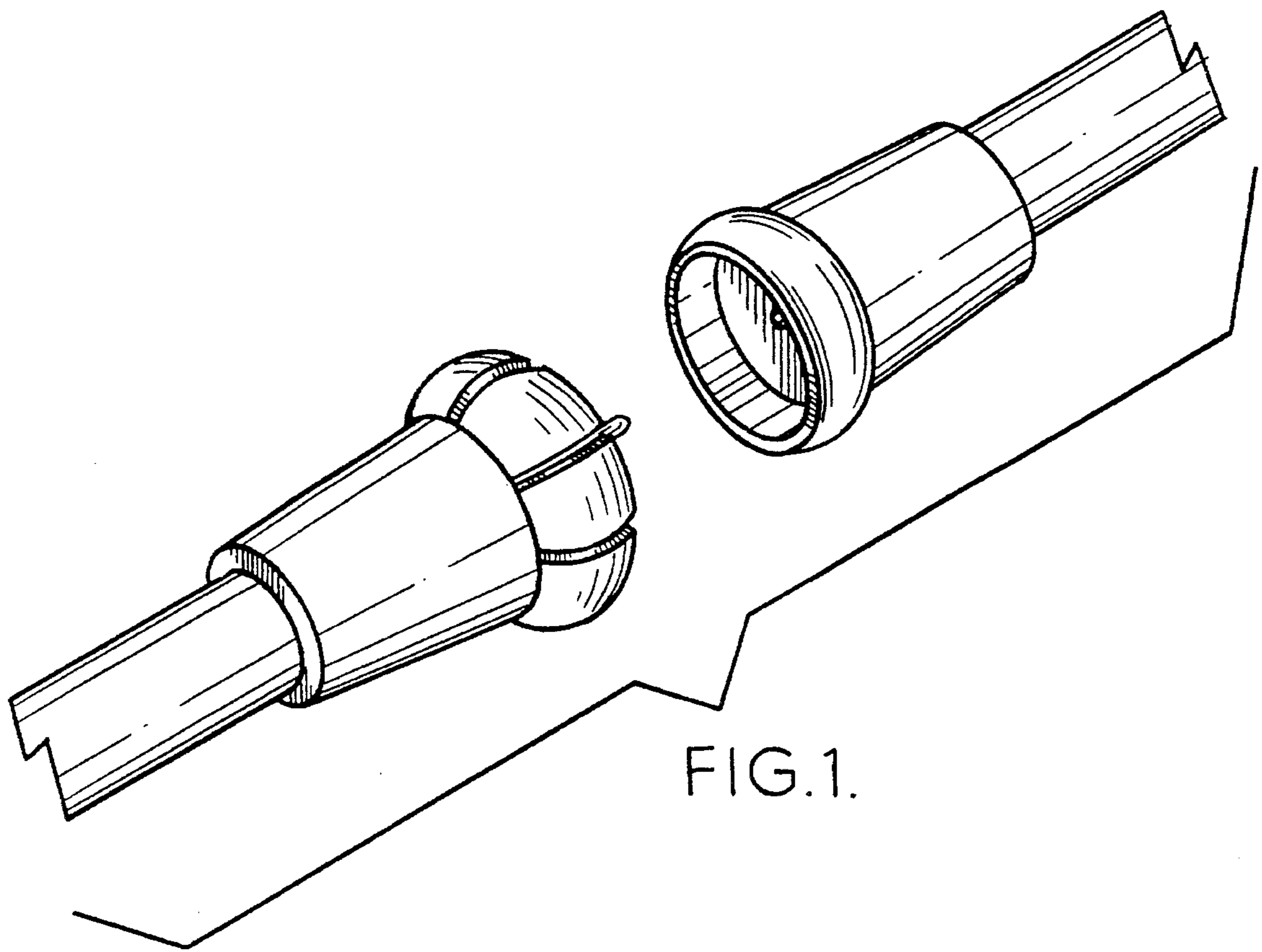


FIG. 1.

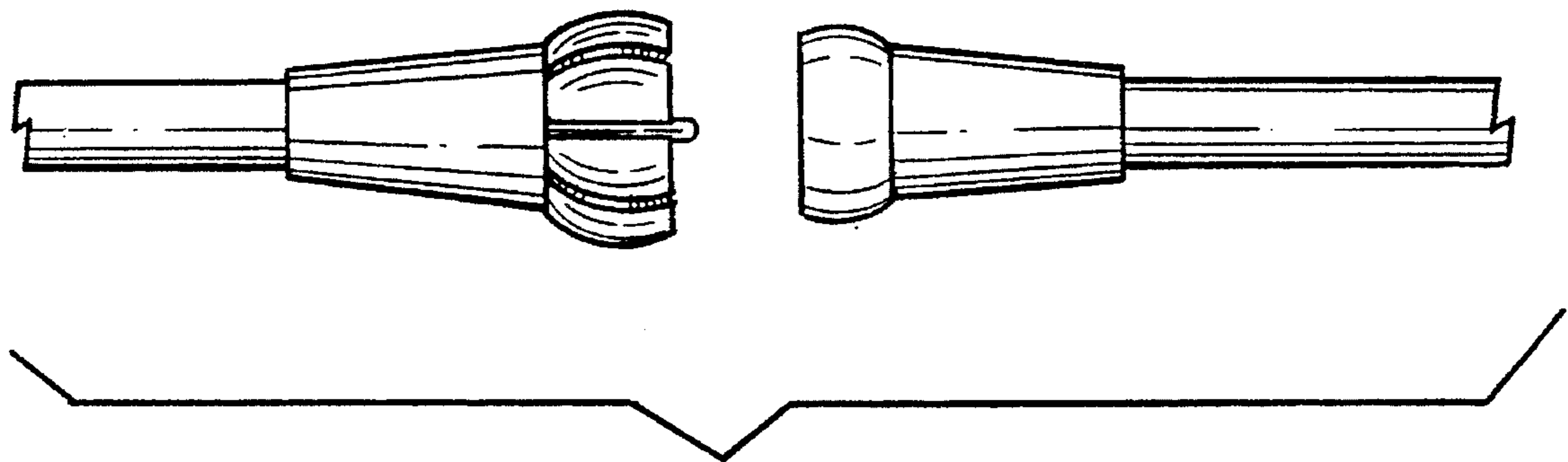


FIG. 2.

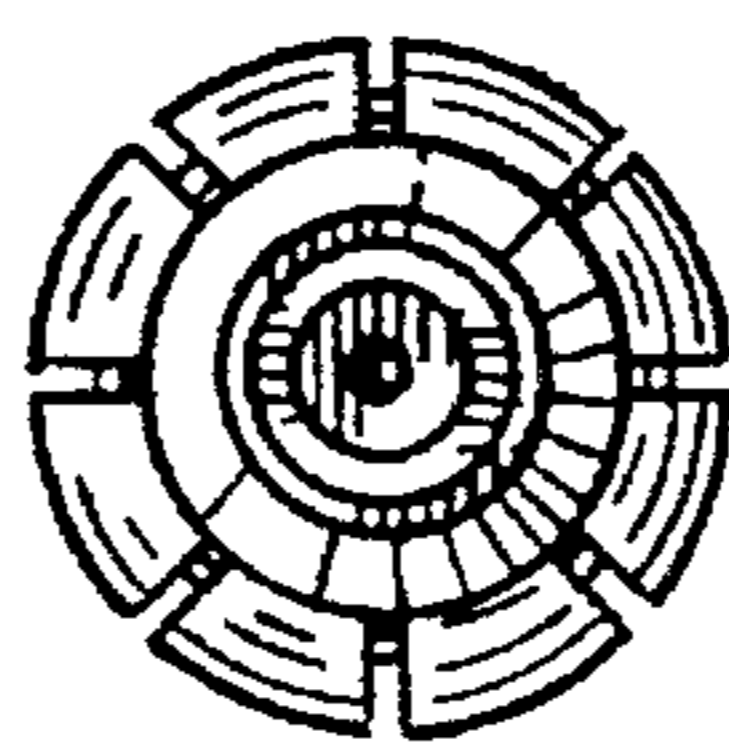


FIG. 4.



FIG. 3.