



US00D368695S

**United States Patent** [19]  
**De Silva**

[11] **Patent Number:** **Des. 368,695**  
[45] **Date of Patent:** **\*\*Apr. 9, 1996**

[54] **BALL CARRIER WITH QUICK RELEASE ATTACHMENT**

4,284,217 8/1981 Johnston et al. .... 224/30 R  
4,762,255 8/1988 Dunn ..... 224/32 R

[76] Inventor: **Glenn De Silva**, 4170 Admiralty Way,  
#2C, Marina del Rey, Calif. 90292

*Primary Examiner*—A. Hugo Word  
*Assistant Examiner*—M. Brown  
*Attorney, Agent, or Firm*—Cislo & Thomas

[\*\*] Term: **14 Years**

[57] **CLAIM**

[21] Appl. No.: **36,081**

The ornamental design for a ball carrier with quick release attachment, as shown and described.

[22] Filed: **Mar. 13, 1995**

[52] U.S. Cl. .... **D12/407**

**DESCRIPTION**

[58] **Field of Search** ..... D12/407, 114;  
224/32 A, 32 R, 36, 37, 30 R, 30 A; 280/288.4

FIG. 1 is a perspective view of a ball carrier with quick release attachment showing my new design;  
FIG. 2 is a front elevational view thereof;  
FIG. 3 is a top plan view thereof;  
FIG. 4 is a bottom plan view thereof;  
FIG. 5 is a rear elevational view thereof; and,  
FIG. 6 is a left side elevational view, with the right side elevational view thereof being a mirror image thereof.

[56] **References Cited**

**U.S. PATENT DOCUMENTS**

D. 342,221	12/1993	De Silva	.....	D12/114
D. 343,816	2/1994	De Silva	.....	D12/407
3,837,545	9/1974	Rogers, Sr.	.....	224/32 R
3,938,719	2/1976	Carlton	.....	224/32 R
4,069,956	1/1978	Shearer, Sr. et al.	.....	224/32 R
4,244,497	1/1981	Lee	.....	224/36

**1 Claim, 1 Drawing Sheet**

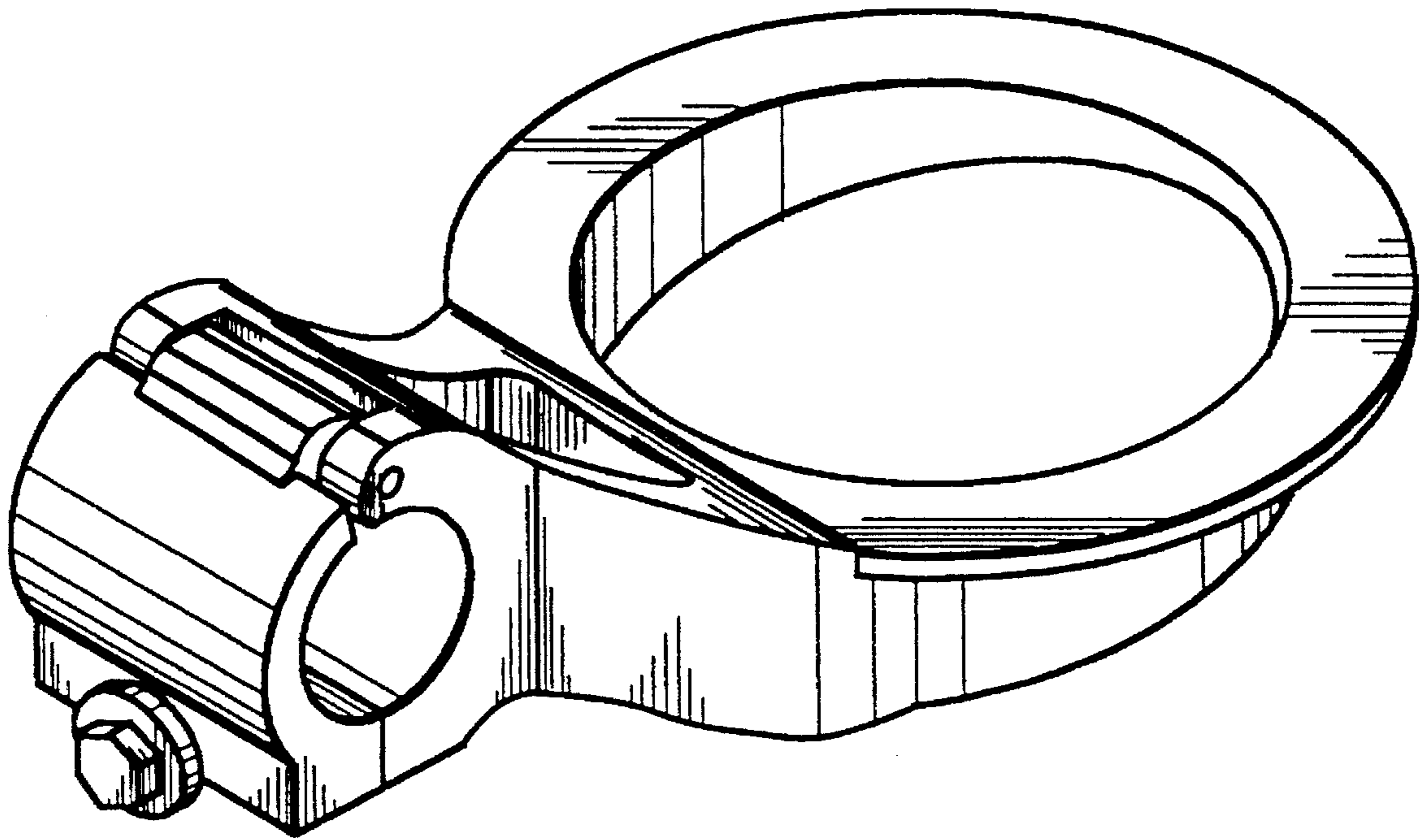


FIG. 1.

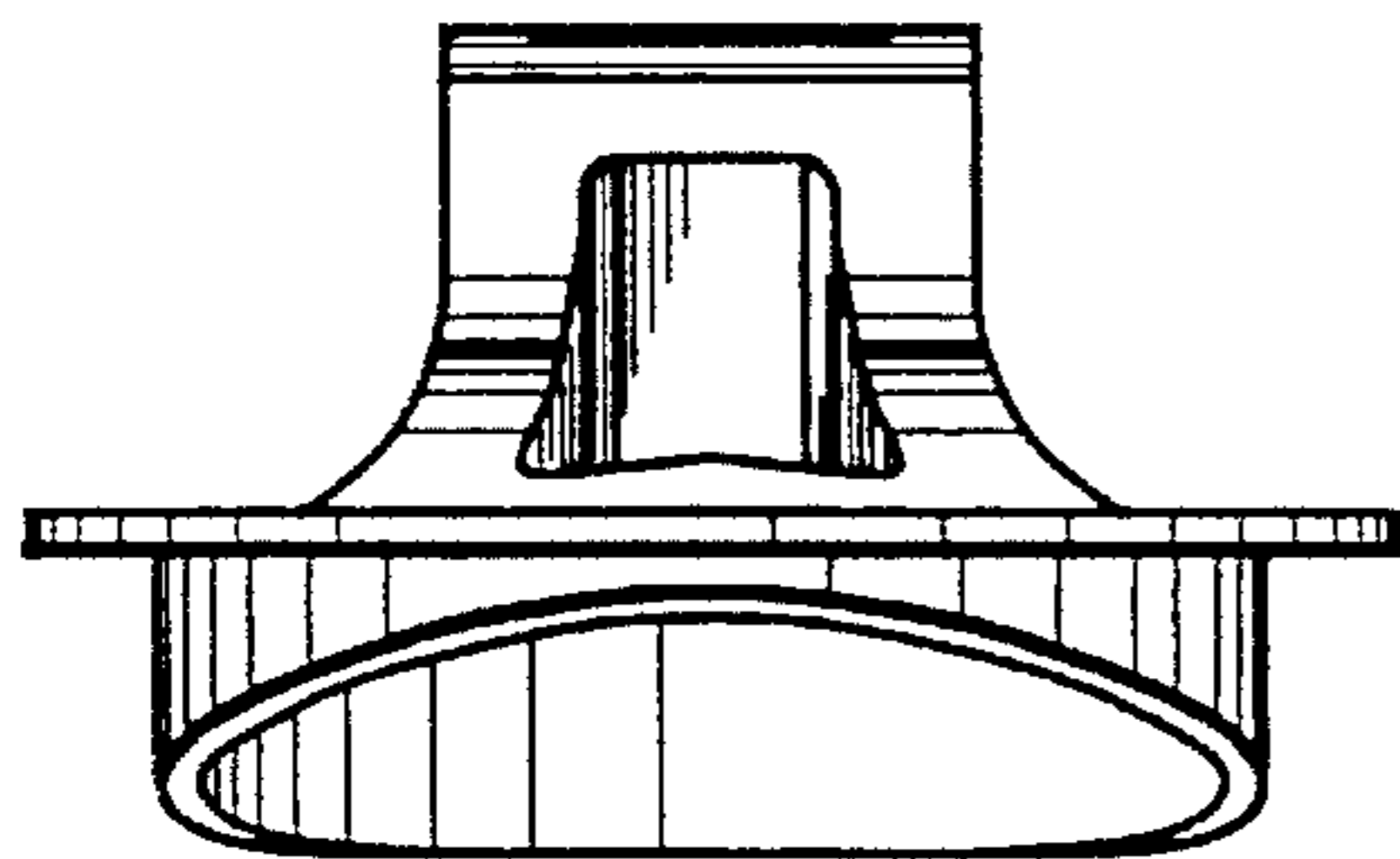
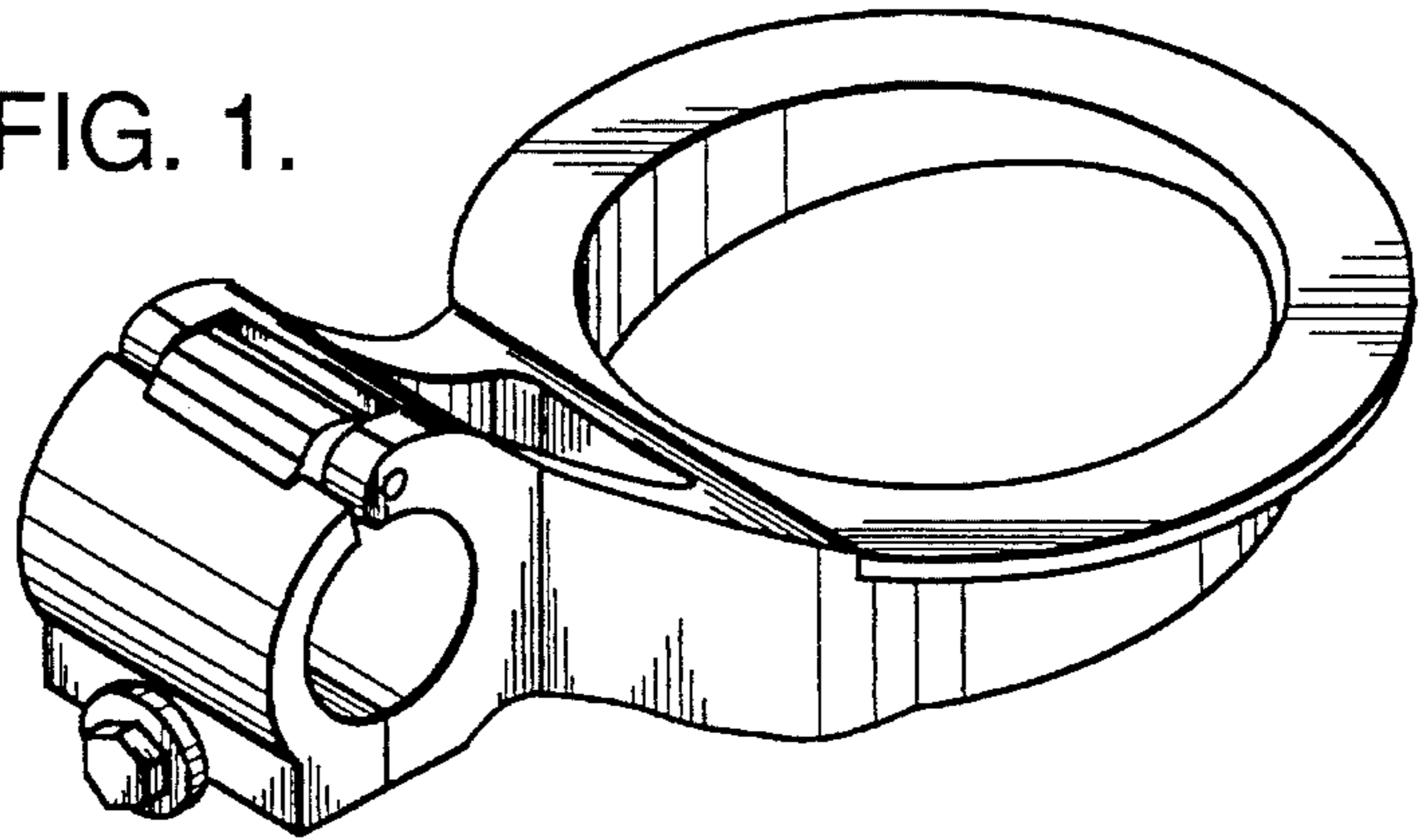


FIG. 2.

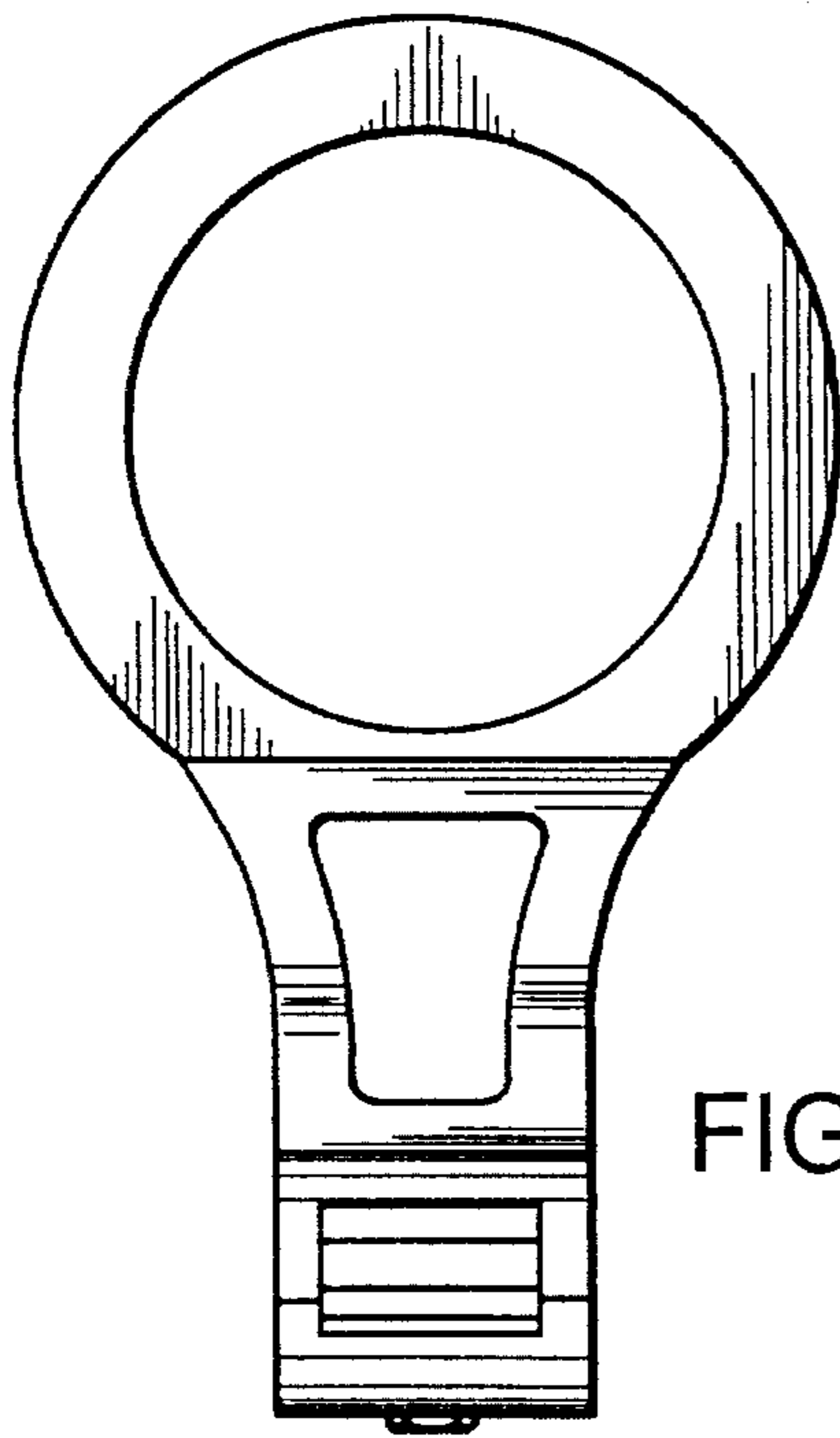


FIG. 3.

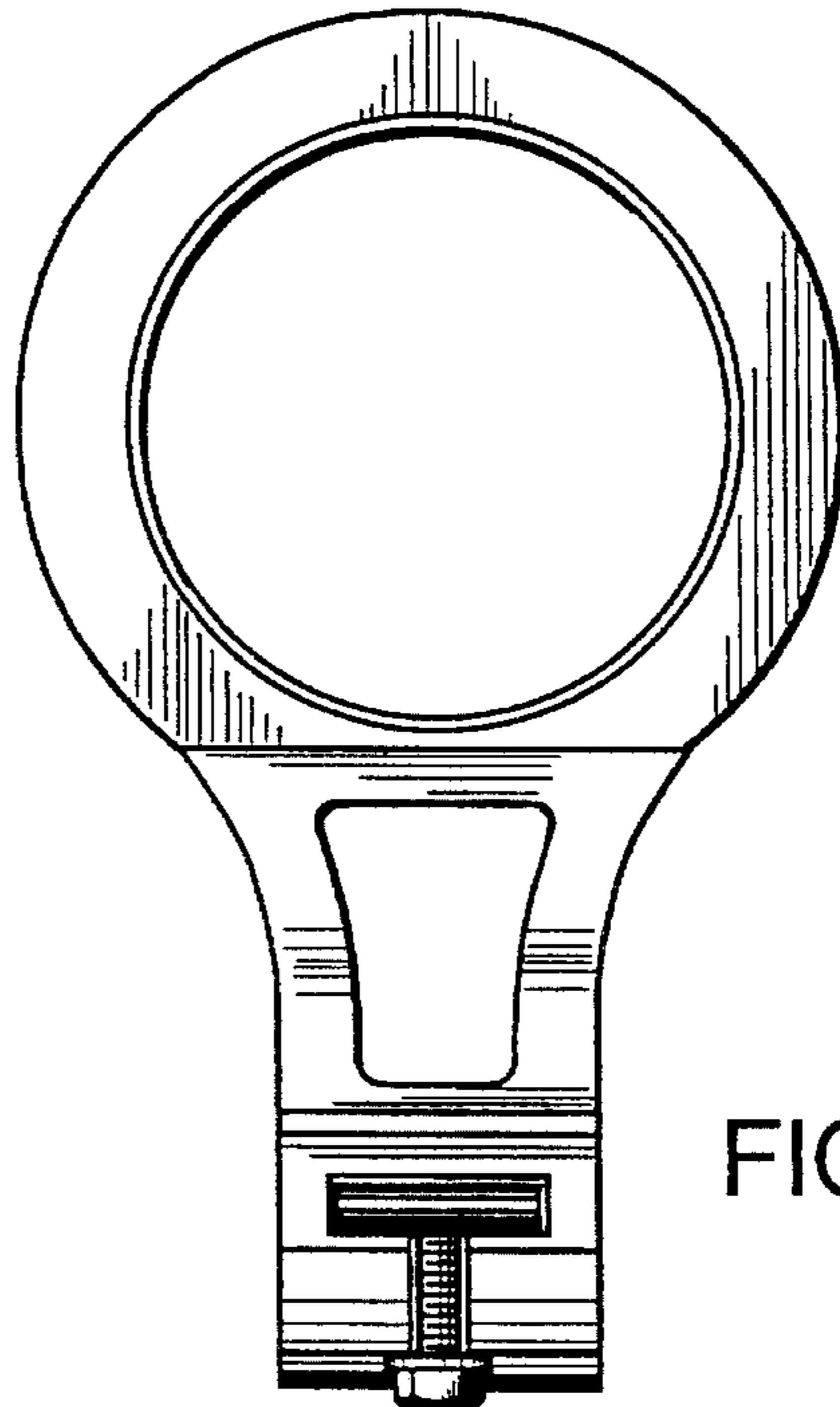


FIG. 4.

FIG. 5.

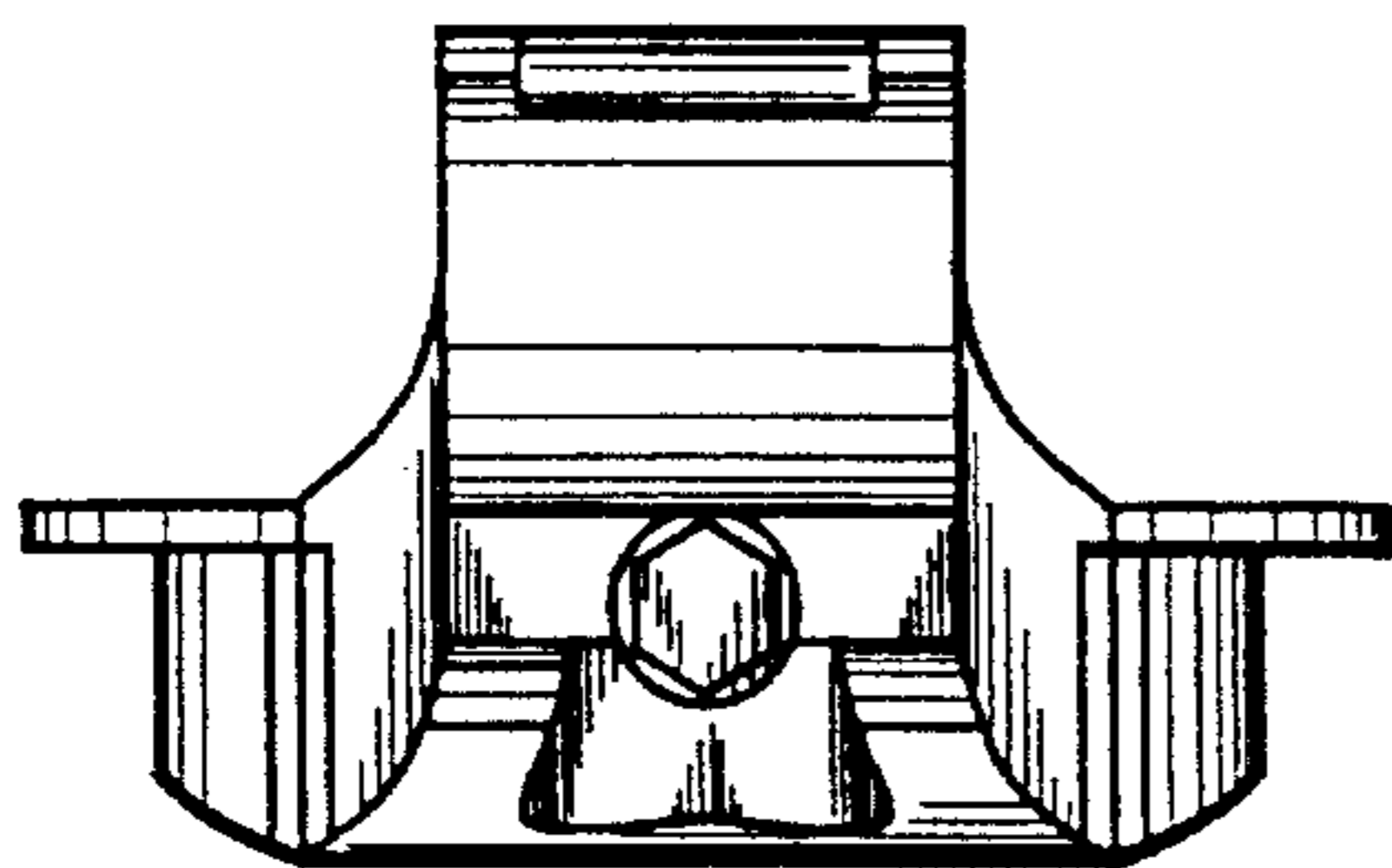


FIG. 6.

