



US00D368692S

# United States Patent [19]

Pribble, Sr. et al.

[11] Patent Number: **Des. 368,692**

[45] Date of Patent: **\*\*Apr. 9, 1996**

[54] LICENSE PLATE HOLDER

[76] Inventors: **Clarence T. Pribble, Sr.; Clarence T. Pribble, Jr.**, both of 215 Forestdale Dr., Forest, Va. 24551-2615

[\*\*] Term: **14 Years**

[21] Appl. No.: **22,573**

[22] Filed: **May 9, 1994**

### Related U.S. Application Data

[63] Continuation of Ser. No. 5,355, Mar. 2, 1993, abandoned.

[52] U.S. Cl. .... **D12/193**

[58] Field of Search ..... D12/193; 40/209, 40/200-204, 589-594, 606, 617

### [56] References Cited

#### U.S. PATENT DOCUMENTS

D. 279,667	7/1985	Baron .....	D12/193
D. 294,975	3/1988	Lester .....	D12/193
D. 298,023	10/1988	Corey .....	D12/193
D. 311,167	10/1990	Ching-Hwei .....	D12/193
D. 327,915	7/1992	Anderson et al. ....	312/193
D. 332,247	1/1993	Wilson .....	D12/193
D. 350,104	8/1994	Lee .....	D12/193
1,411,920	4/1922	Kramer .....	40/204

4,302,896	12/1981	Bott .....	40/209
4,903,422	2/1990	Varga .....	40/201
4,924,611	5/1990	Shaw .....	40/210

### OTHER PUBLICATIONS

Brochure distributed by American Inventors Corporation approximately during May, 1993.

*Primary Examiner*—A. Hugo Word

*Assistant Examiner*—M. Brown

### [57] CLAIM

The ornamental design for a license plate holder, as shown and described.

### DESCRIPTION

FIG. 1 is a front elevational view of the license plate holder showing my new design;

FIG. 2 is a rear elevational view thereof;

FIG. 3 is a left side elevational view thereof;

FIG. 4 is a right side elevational view thereof;

FIG. 5 is a top plan view thereof;

FIG. 6 is a bottom plan view thereof;

FIG. 7 is a front perspective view thereof in closed condition; and,

FIG. 8 is a rear perspective view thereof in closed condition.

**1 Claim, 5 Drawing Sheets**

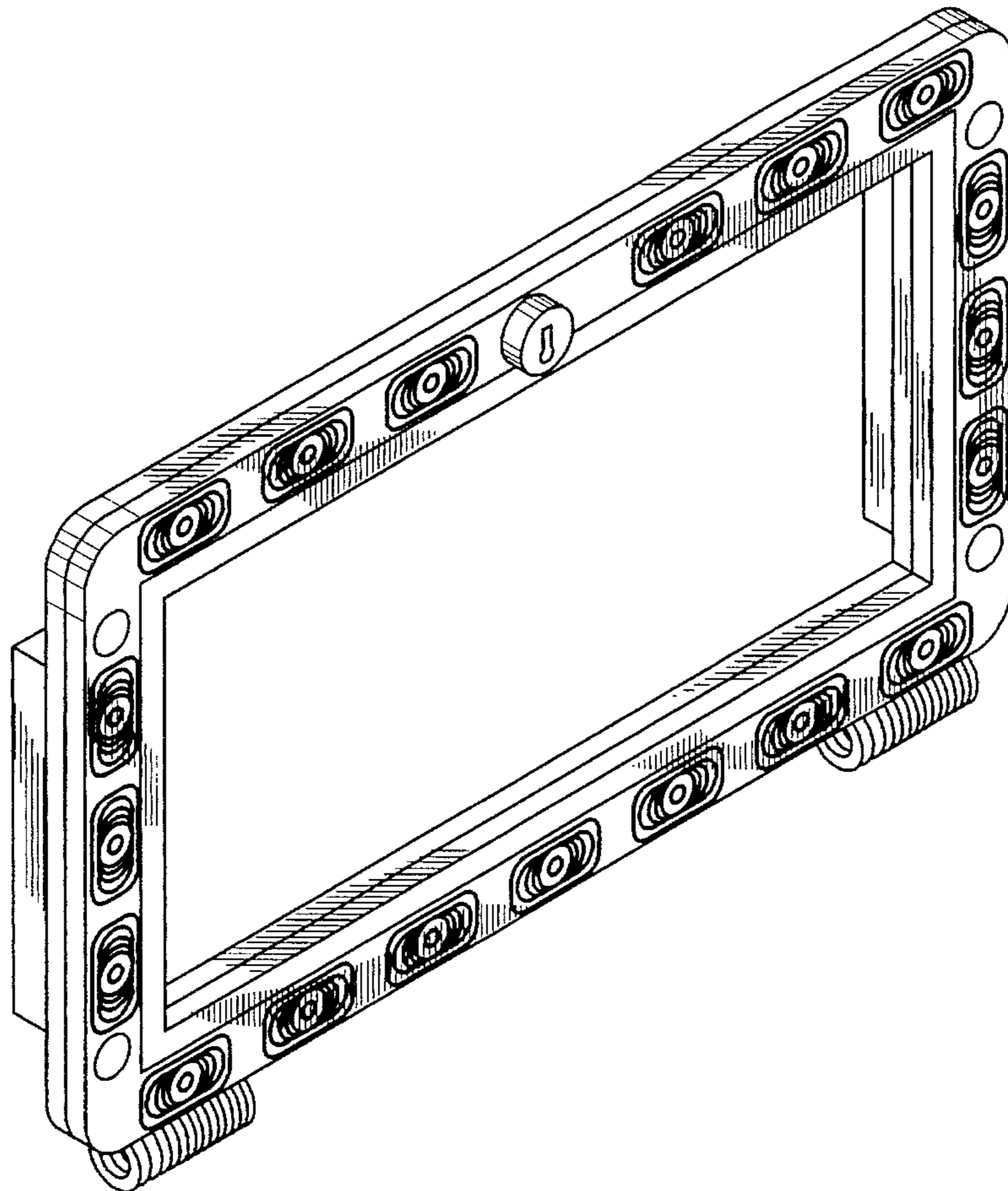


FIG. 1

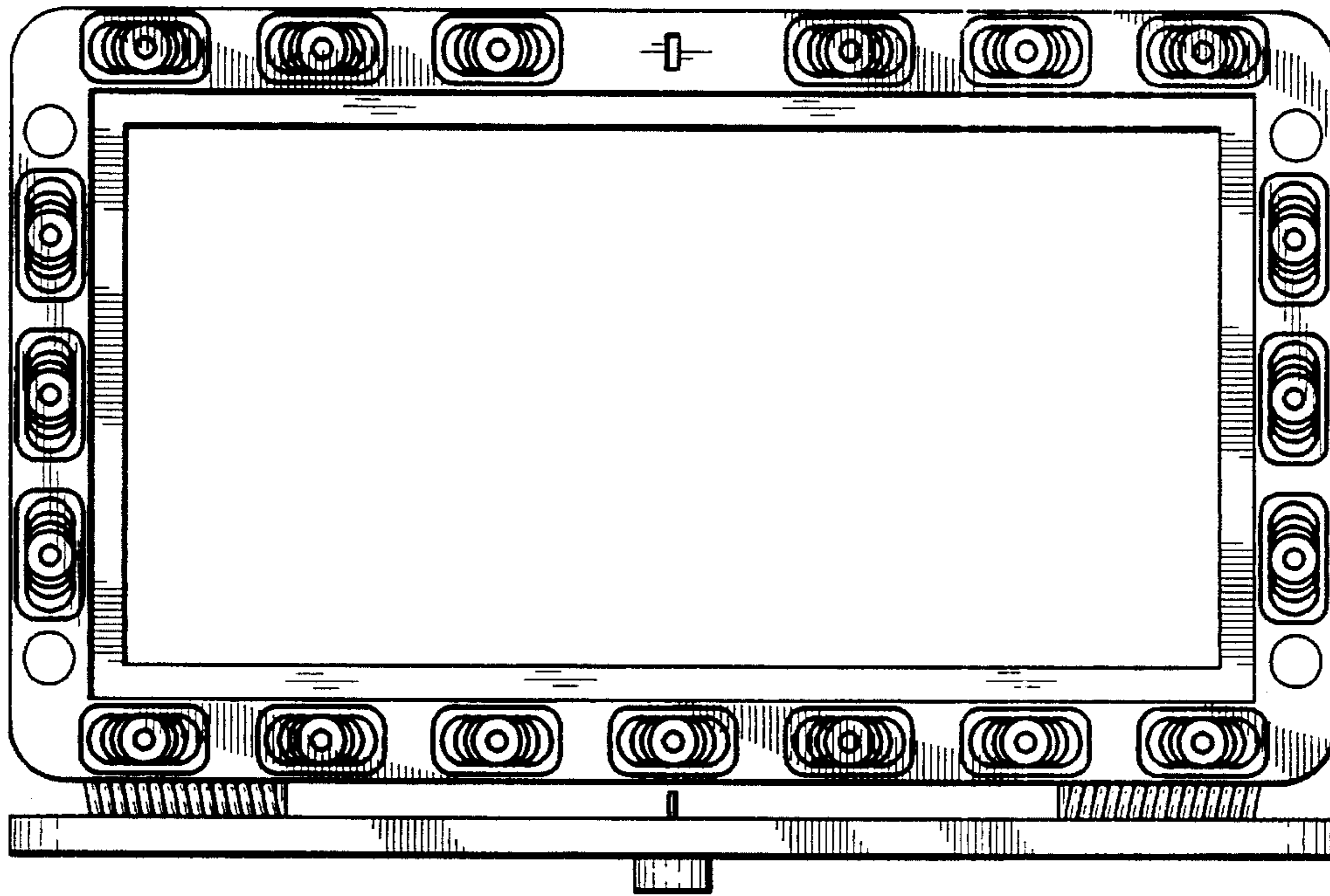


FIG. 2

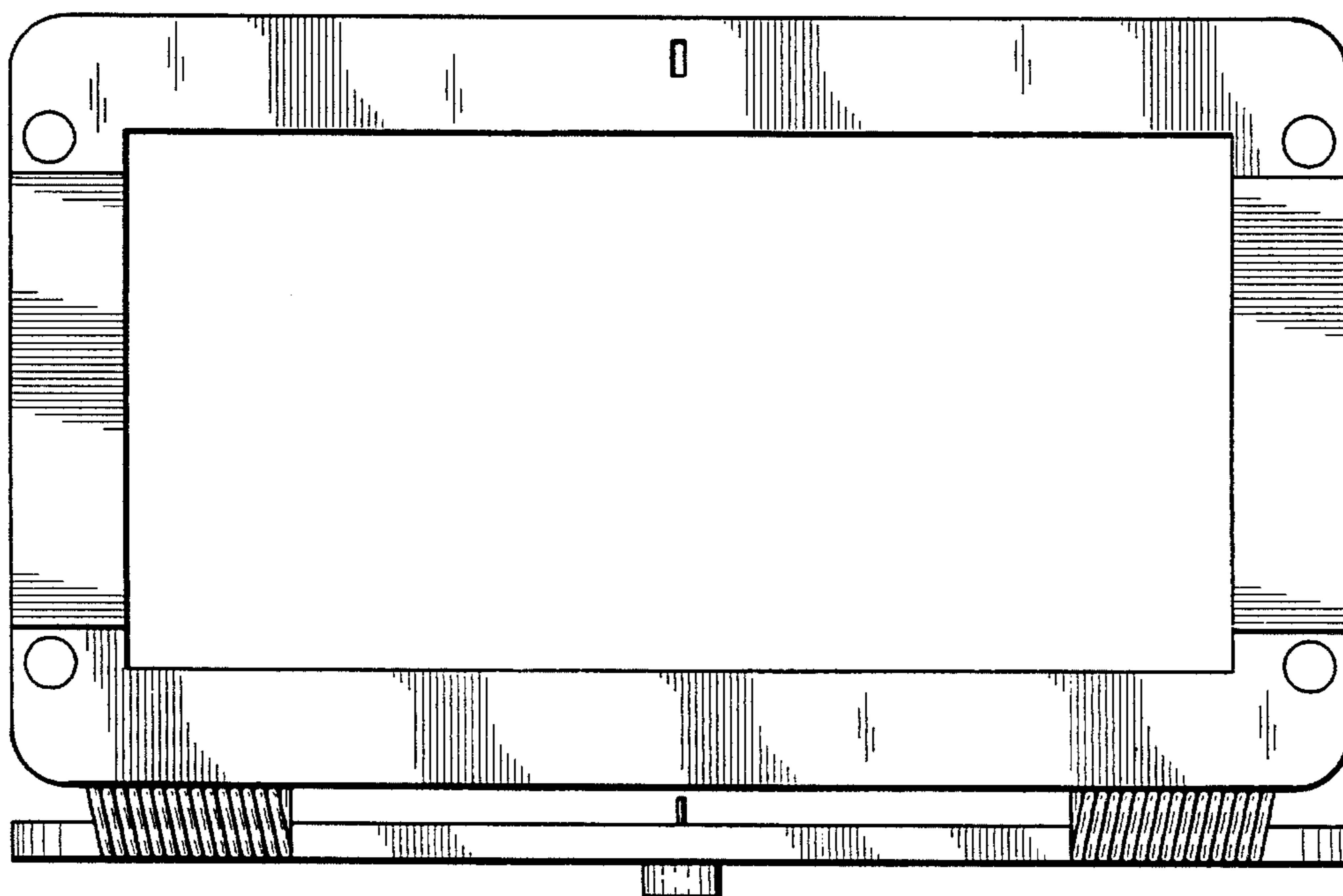


FIG. 3

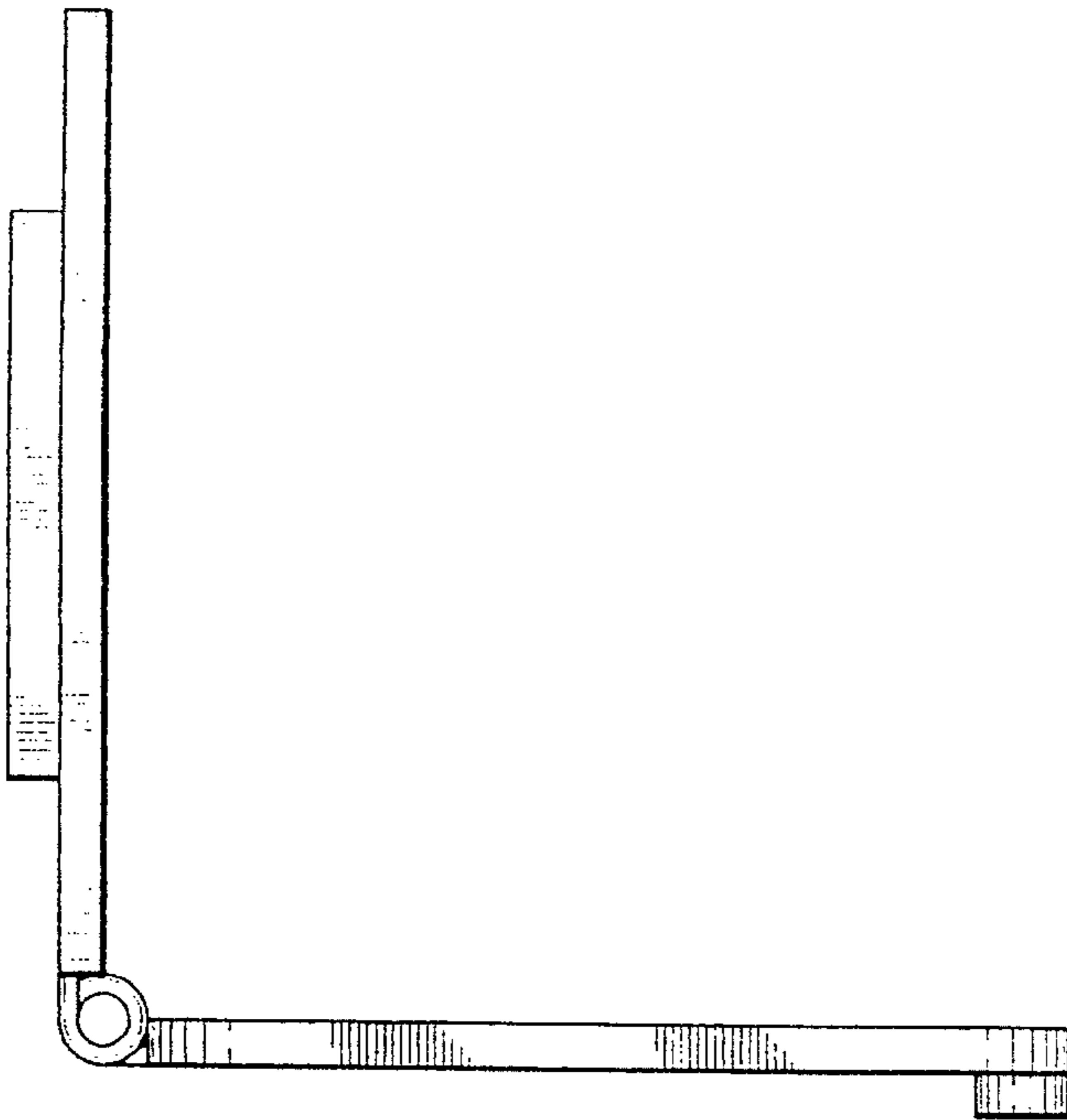


FIG. 4

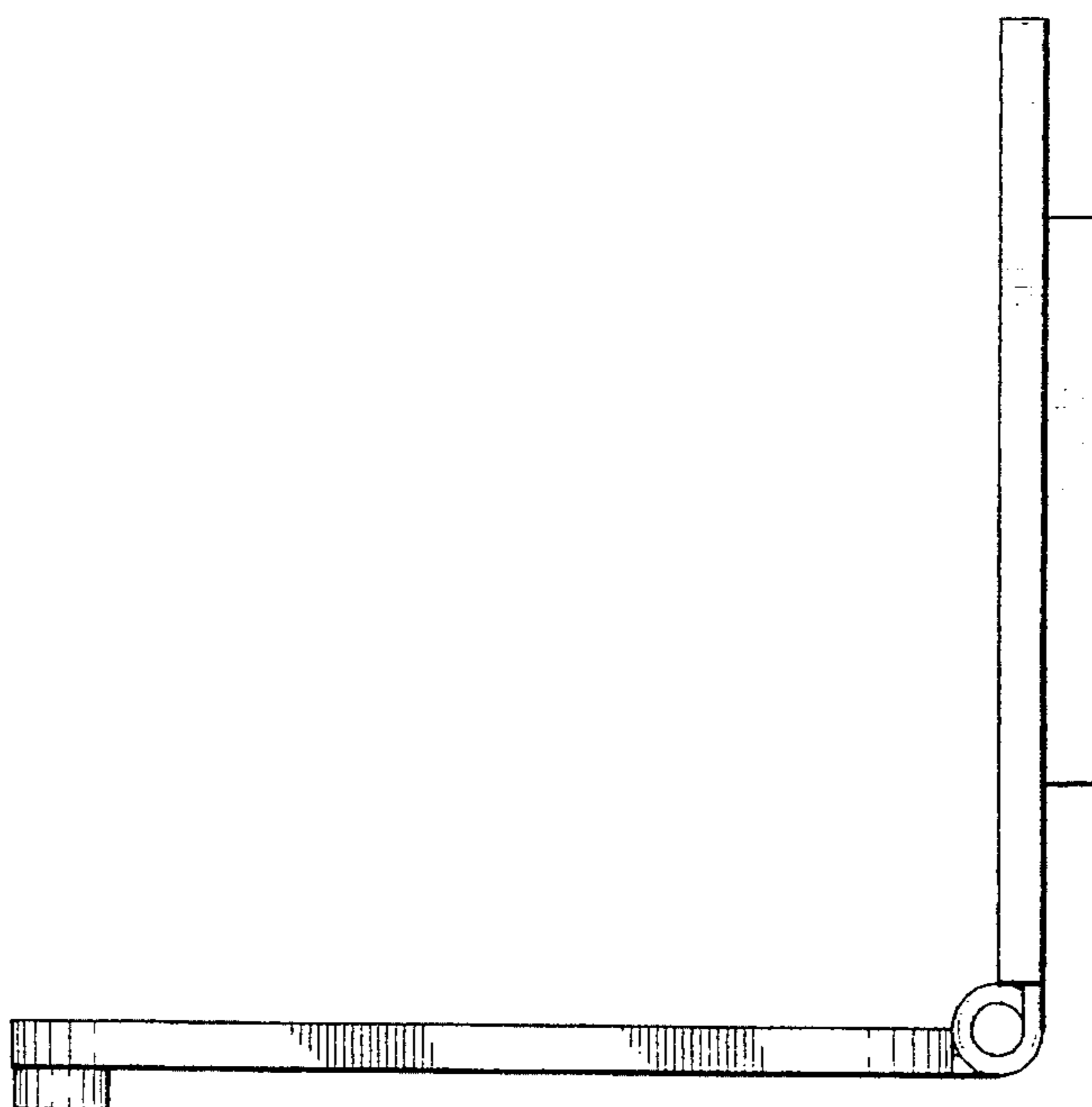


FIG. 5

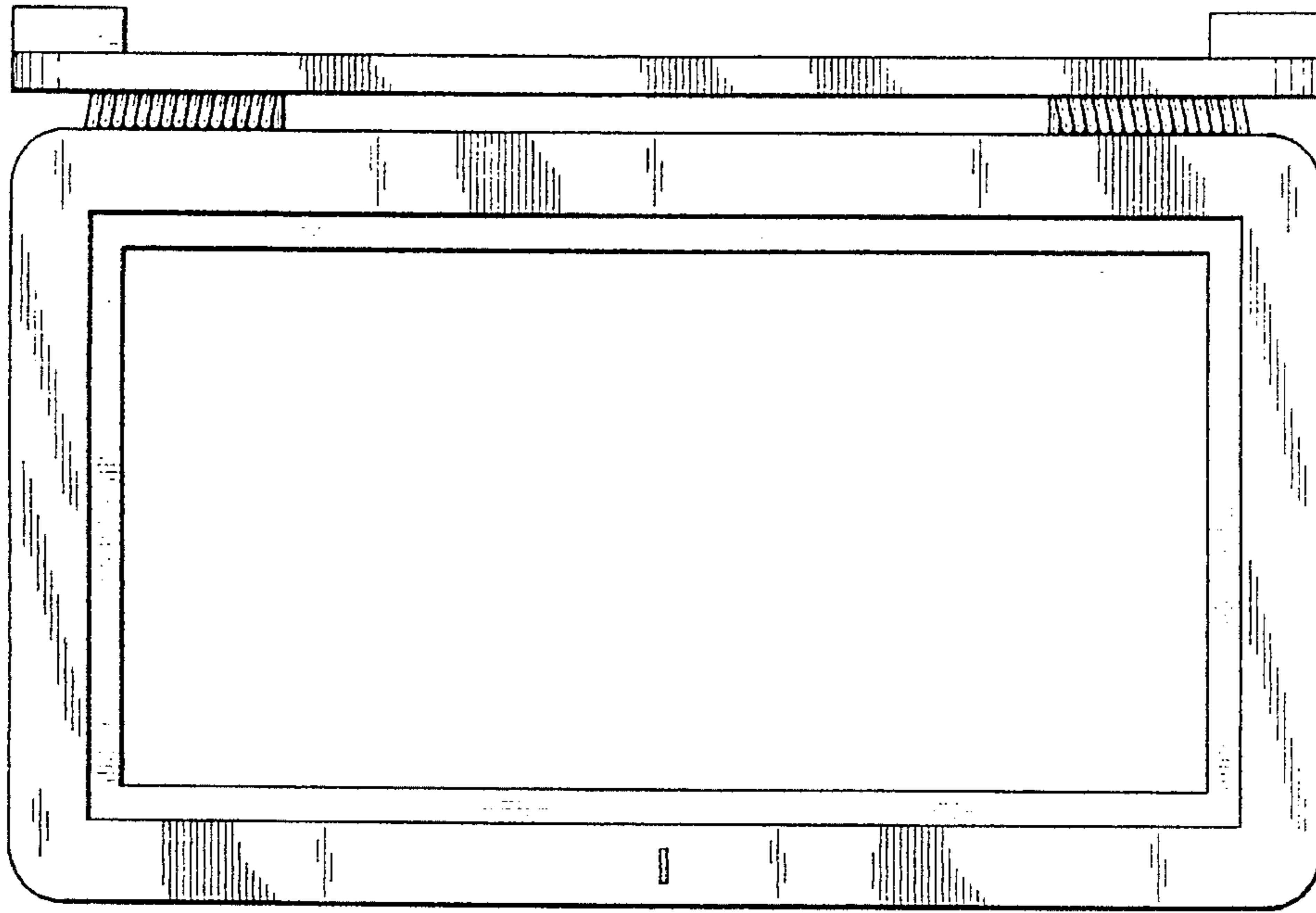


FIG. 6

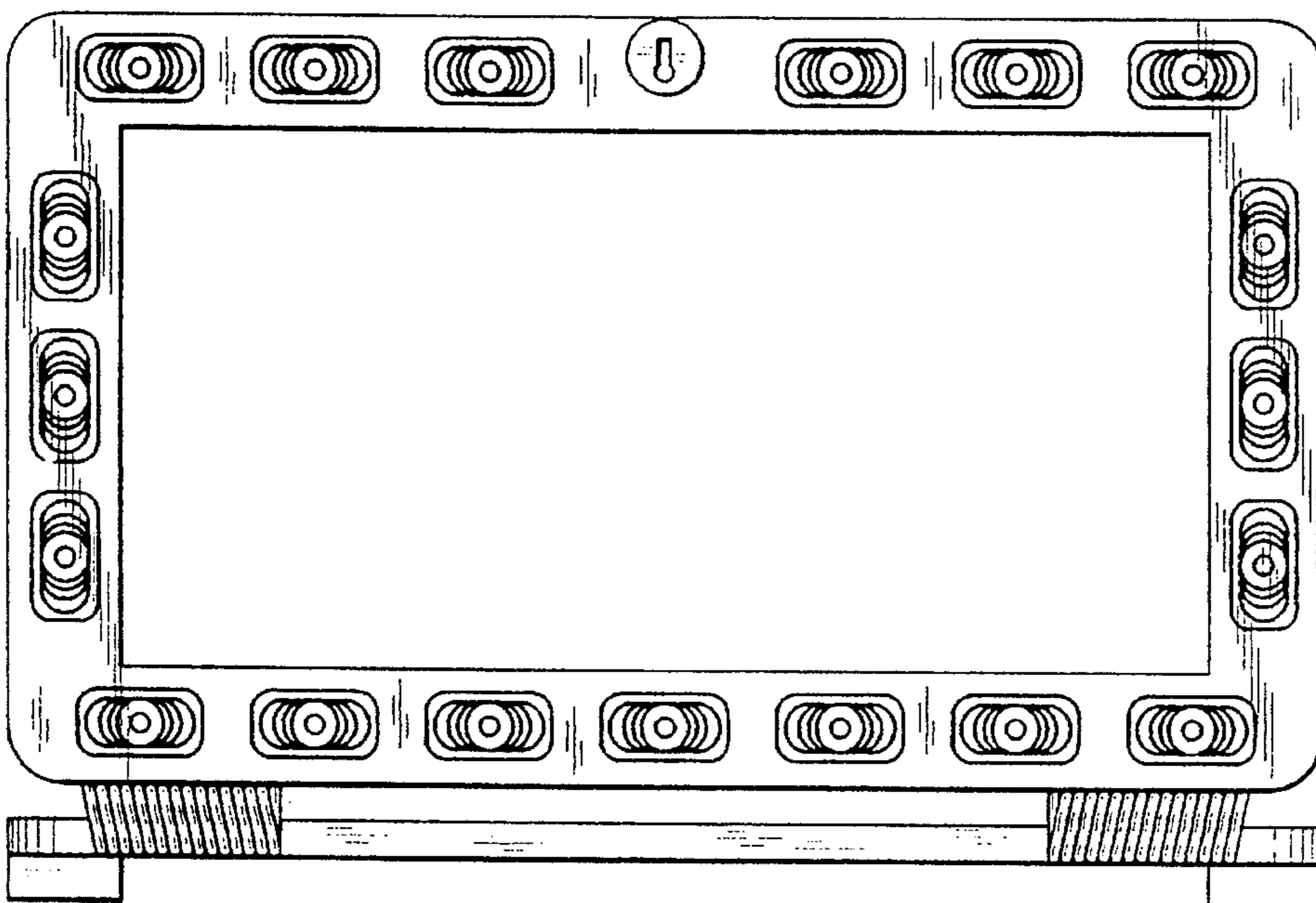


FIG. 7

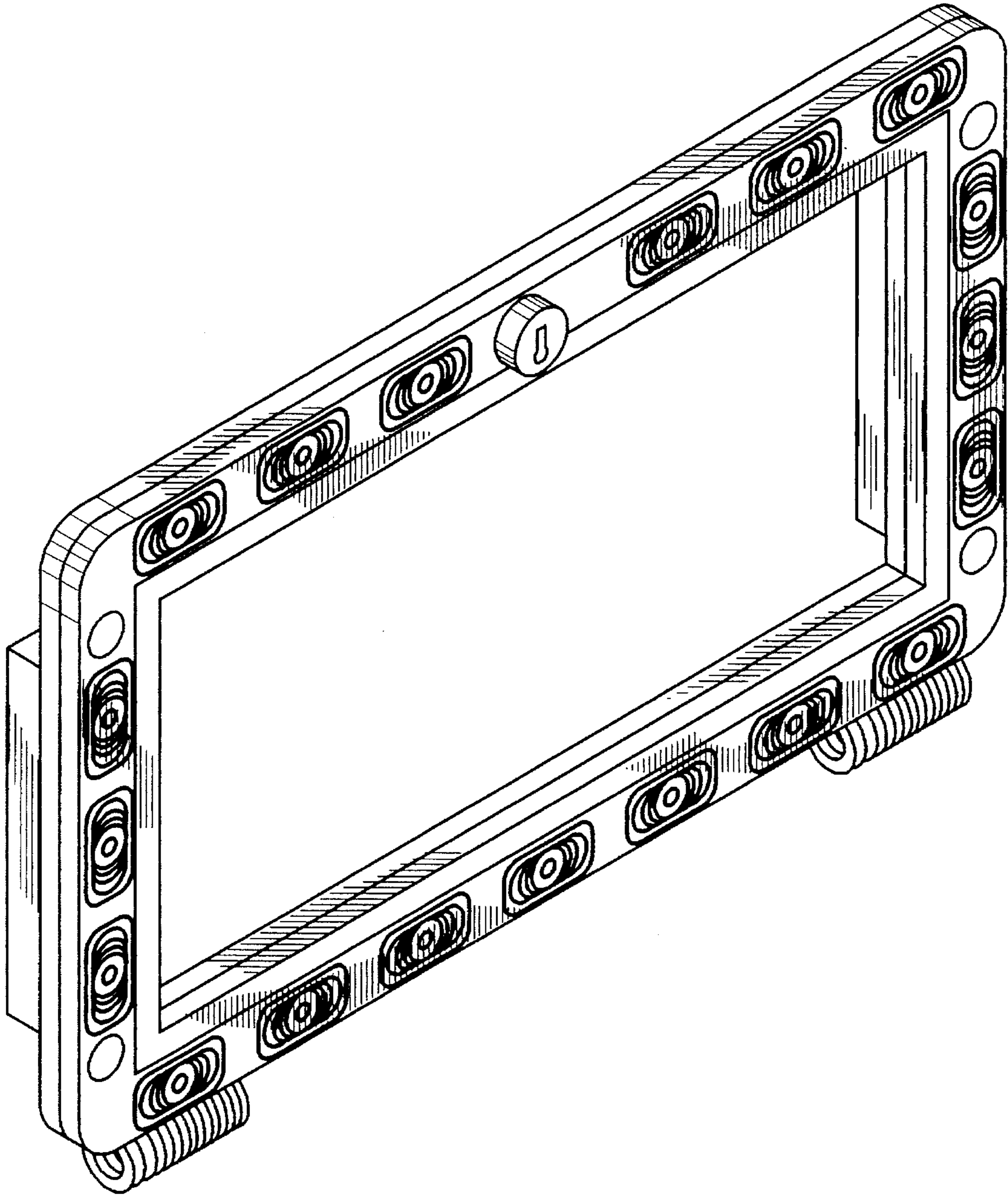


FIG. 8

