



US00D368690S

# United States Patent [19]

[11] Patent Number: **Des. 368,690**

**Heinen et al.**

[45] Date of Patent: **\*\*Apr. 9, 1996**

[54] **TIRE TREAD**

1993 Tread Design Guide, p. 30, Federal Super Steel 731 Tire, third row down from top, right side of page.

[75] Inventors: **Richard Heinen**, Habay-la-Neuve;  
**Alain Alphonse Z. S. Klepper**,  
Bastogne, both of Belgium

*Primary Examiner*—James M. Gandy  
*Attorney, Agent, or Firm*—T. P. Lewandowski

[73] Assignee: **The Goodyear Tire & Rubber Company**, Akron, Ohio

[57] **CLAIM**

[\*\*] Term: **14 Years**

The ornamental design for a tire tread, as shown and described.

[21] Appl. No.: **33,400**

**DESCRIPTION**

[22] Filed: **Jan. 12, 1995**

[52] U.S. Cl. .... **D12/147**

[58] Field of Search ..... D12/145-148;  
152/209 R, 209 B, 209 D

FIG. 1 is a perspective view of a tire tread;  
FIG. 2 is a front elevational view thereof;  
FIG. 3 is a side elevational view thereof; and,  
FIG. 4 is an enlarged fragmentary front view thereof.

[56] **References Cited**

The tread pattern is understood to be repeated uniformly throughout the circumference of the tire tread.

**U.S. PATENT DOCUMENTS**

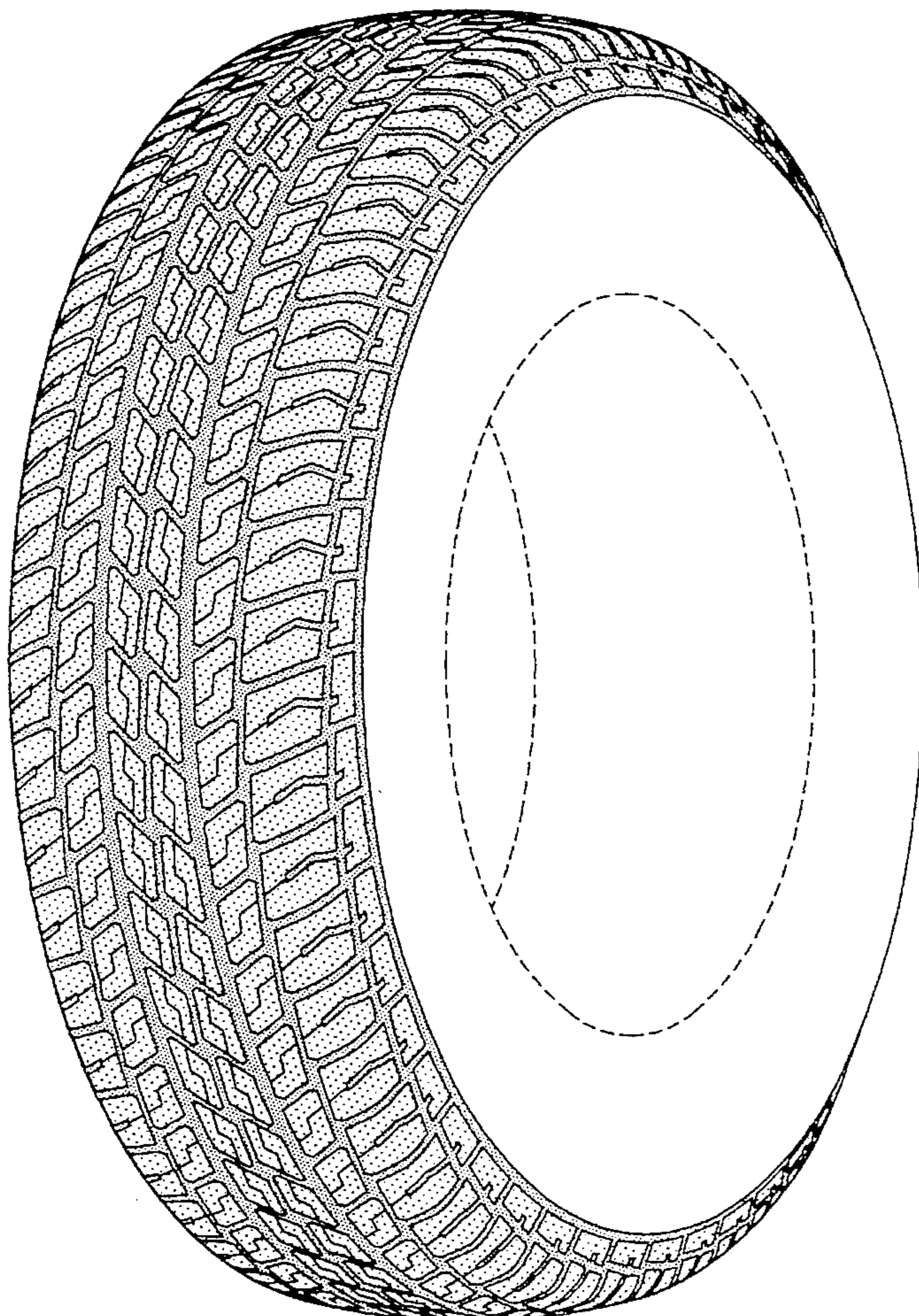
- D. 317,740 6/1991 Takehara ..... D12/146
- D. 348,241 6/1994 Graas et al. .... D12/147

The broken line showing of the tire sidewall in the drawings is for illustrative purposes only and forms no part of the claimed design.

**OTHER PUBLICATIONS**

1993 Tread Design Guide, p. 14, Bridgestone Potenza RE93 Tire, bottom right side of page.

**1 Claim, 4 Drawing Sheets**





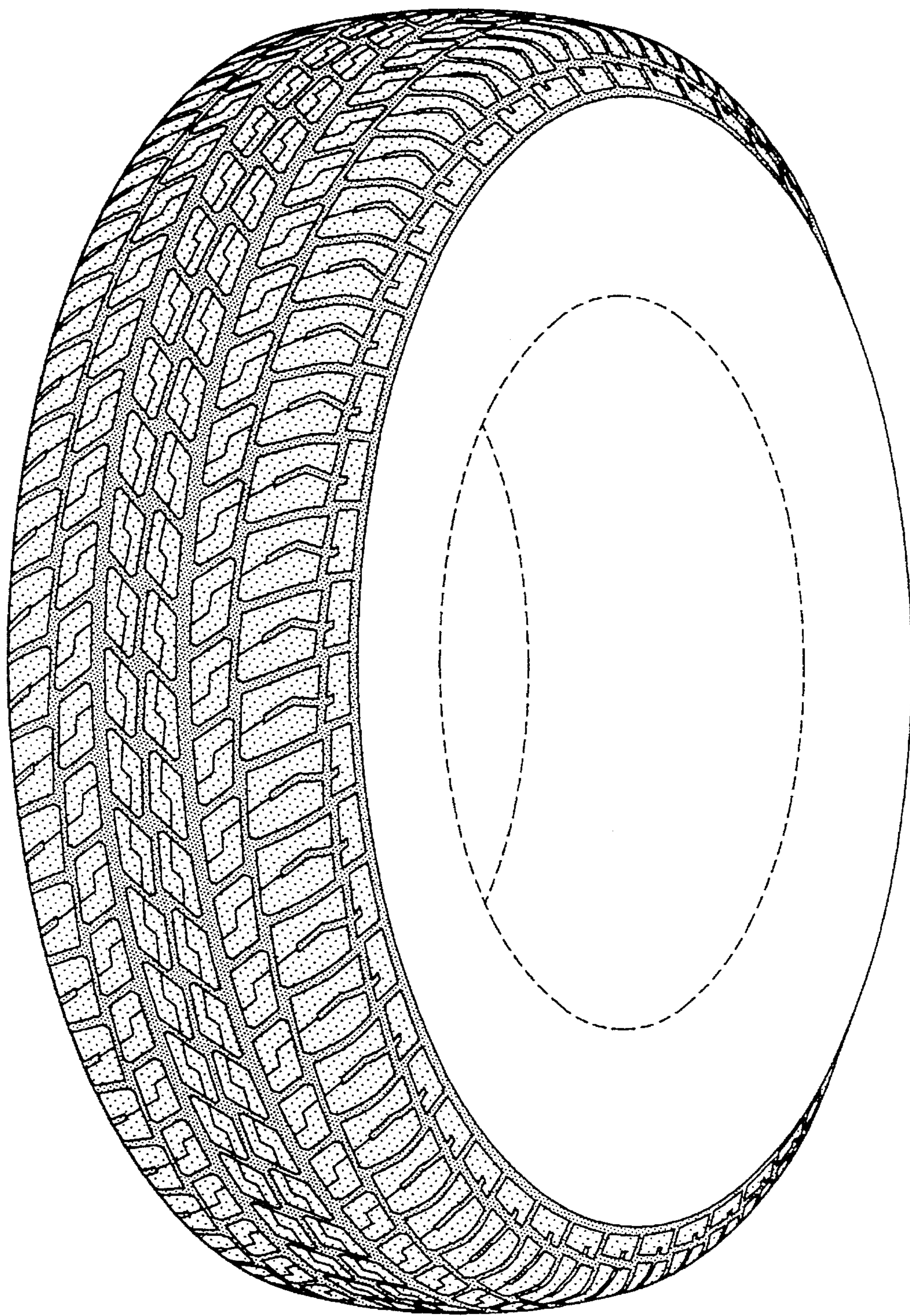


FIG-1



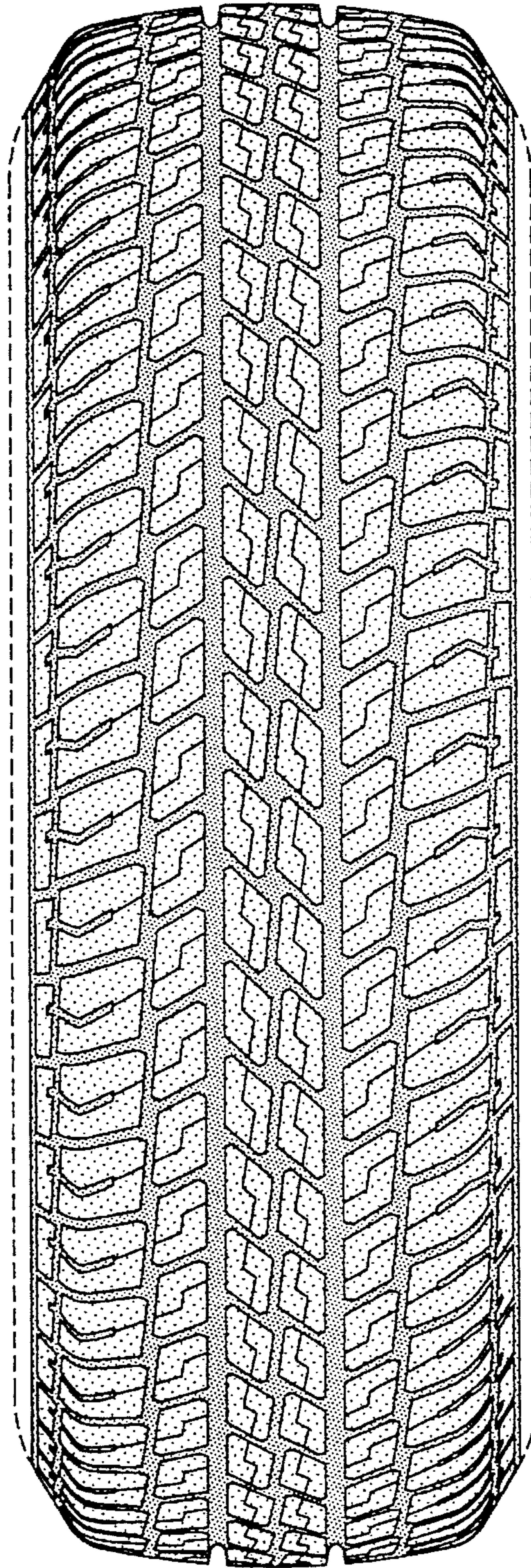


FIG-2

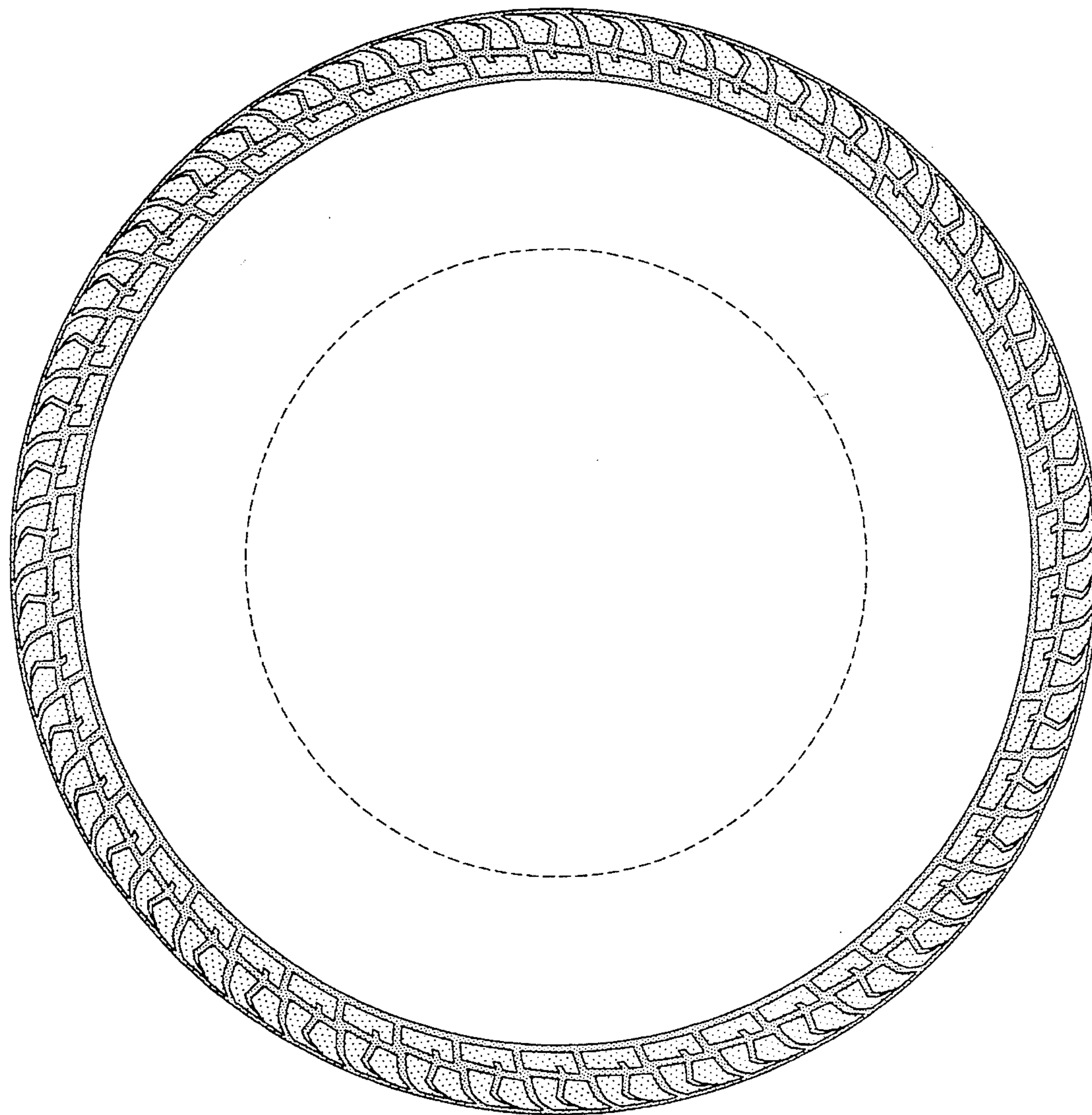


FIG-3



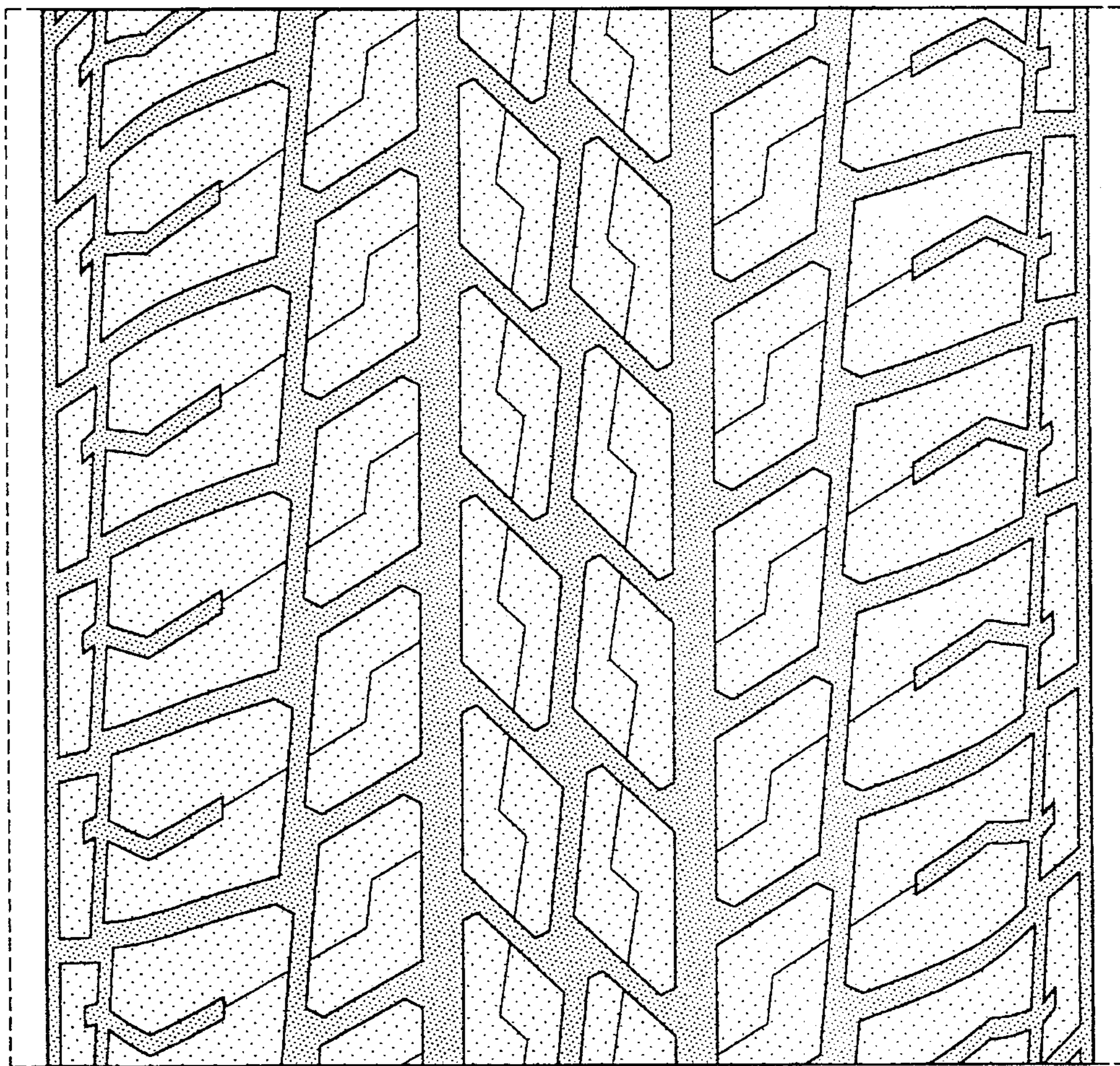


FIG-4