



US00D368682S

# United States Patent [19]

Matthies

[11] Patent Number: **Des. 368,682**

[45] Date of Patent: **\*\*Apr. 9, 1996**

[54] **KNUCKLEHEAD ROCKER BOX FOR A MOTORCYCLE**

*Assistant Examiner*—Holly Baynham  
*Attorney, Agent, or Firm*—Andrew M. Hassell

[76] Inventor: **Lawayne L. Matthies**, 809 Manor St.,  
Grand Prairie, Tex. 75050

[57] **CLAIM**

[\*\*] Term: **14 Years**

The ornamental design for a knucklehead rocker box for a motorcycle, as shown and described.

[21] Appl. No.: **25,225**

### DESCRIPTION

[22] Filed: **Aug. 3, 1994**

[52] U.S. Cl. .... **D12/126**

[58] Field of Search ..... D12/114, 126;  
D15/1, 3; 180/219

FIG. 1 is a top view depicting the knucklehead rocker box for a motorcycle according to the invention;  
FIG. 2 is a front view depicting the knucklehead rocker box for a motorcycle according to the invention;  
FIG. 3 is a side elevation view of the knucklehead rocker box for a motorcycle of FIGS. 1 and 2;  
FIG. 4 is a back view of the knucklehead rocker box for a motorcycle of FIGS. 1, 2 and 3;  
FIG. 5 is a view of the remaining side of the knucklehead rocker box for a motorcycle; and,  
FIG. 6 is a bottom view of the knucklehead rocker box for a motorcycle.

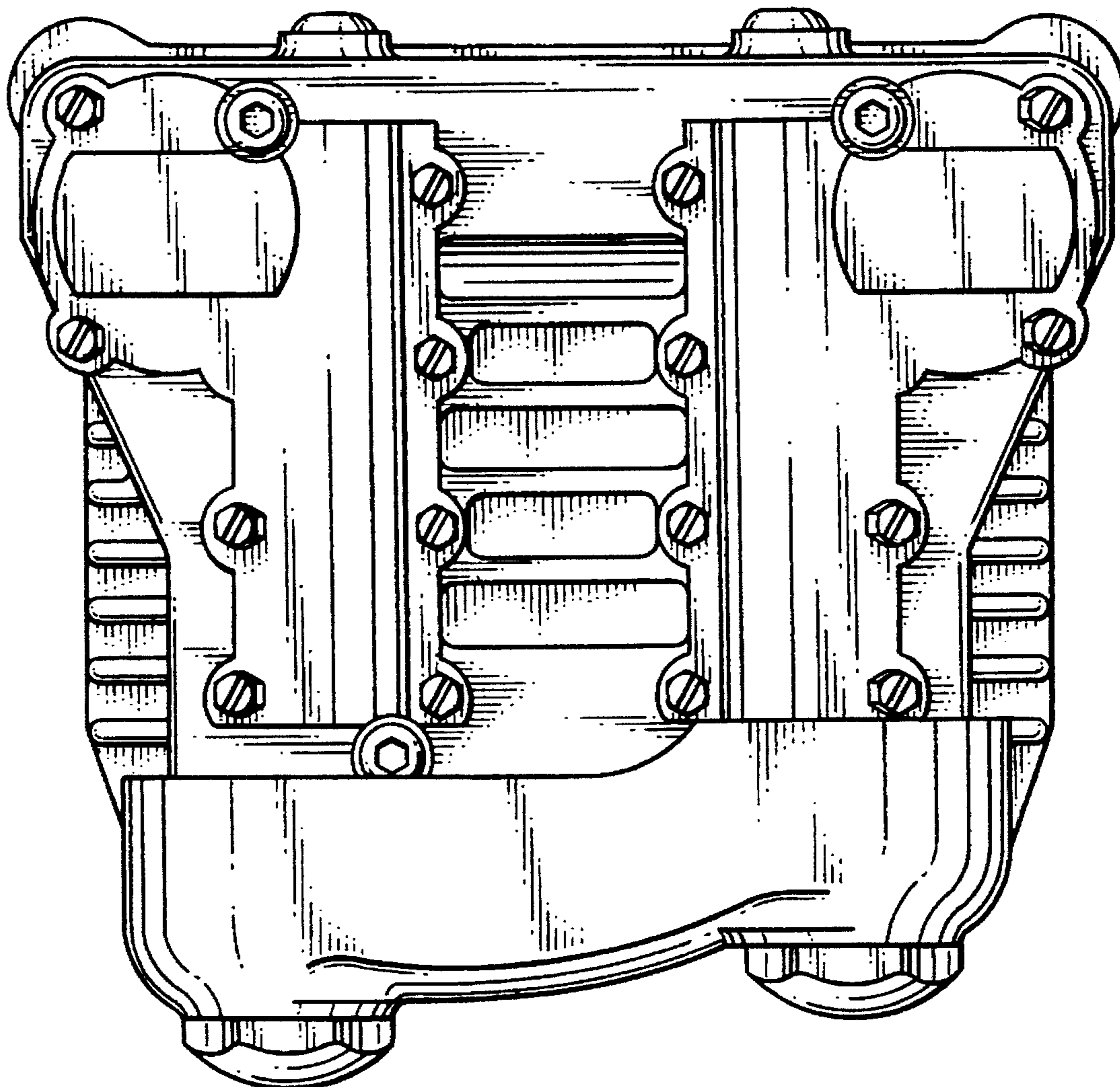
### [56] References Cited

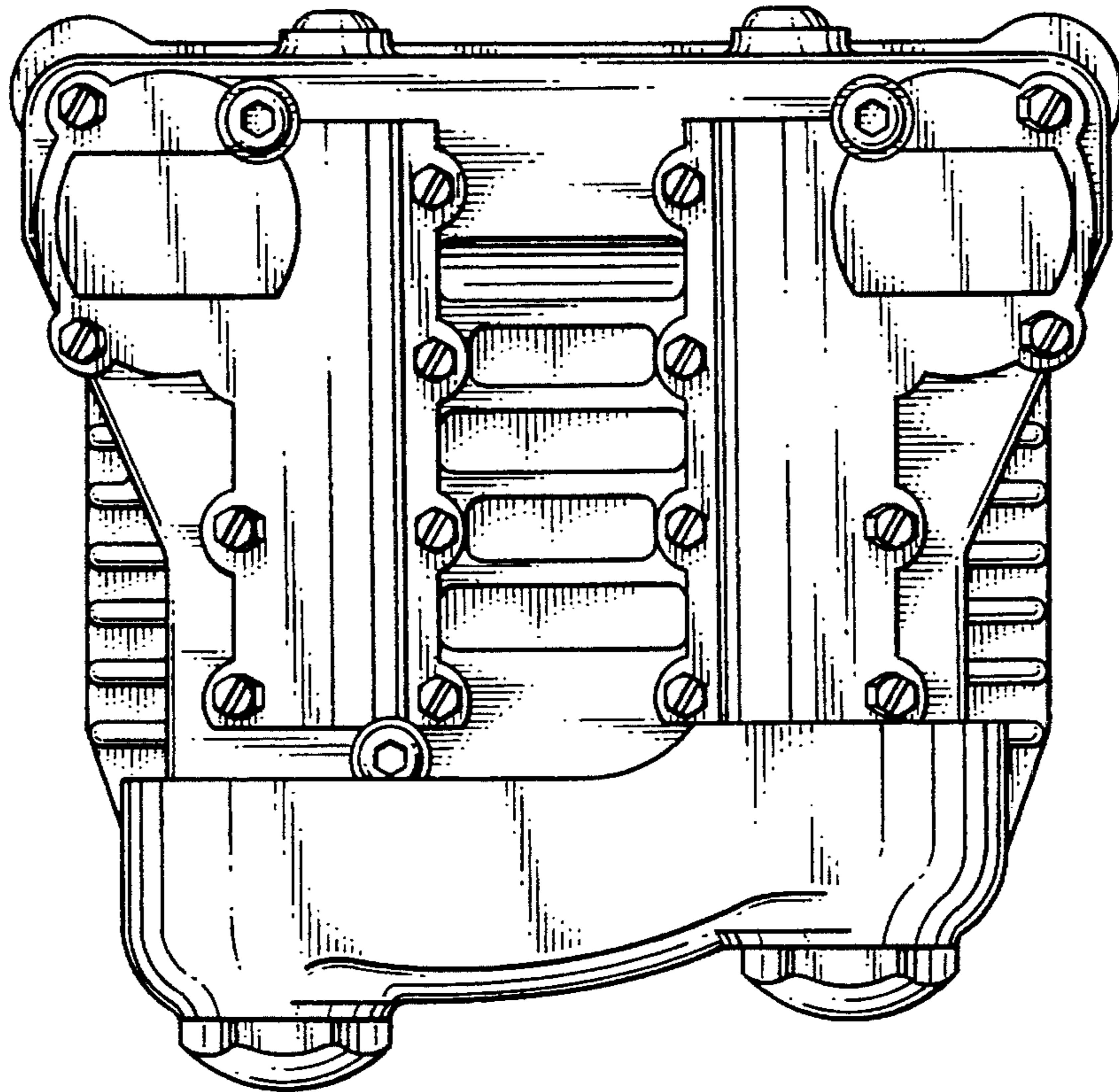
#### U.S. PATENT DOCUMENTS

D. 259,872	7/1981	Ramsey	.....	D12/126
D. 280,495	9/1985	Stahel	.....	D12/126
D. 349,079	7/1994	Matthies	.....	D12/126
5,025,673	6/1991	Yamada	.....	180/219 X

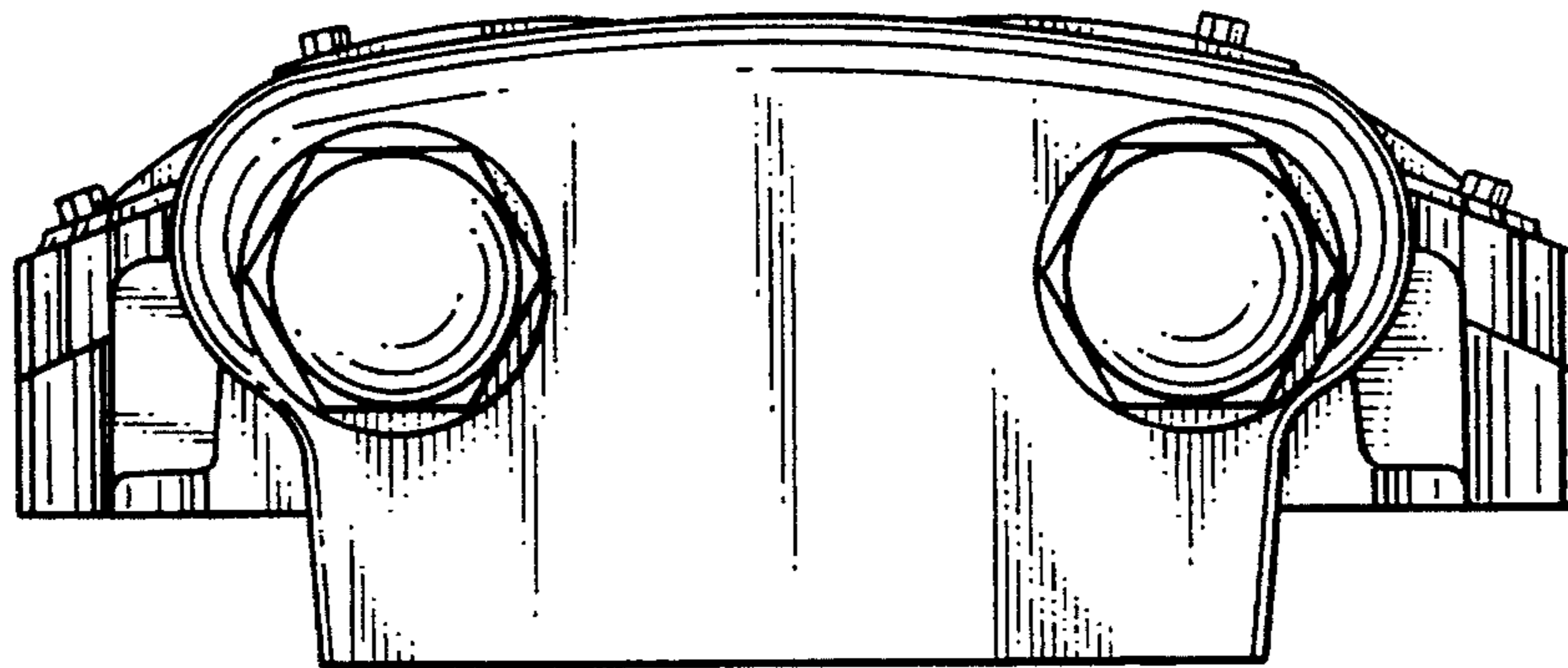
*Primary Examiner*—A. Hugo Word

**1 Claim, 3 Drawing Sheets**

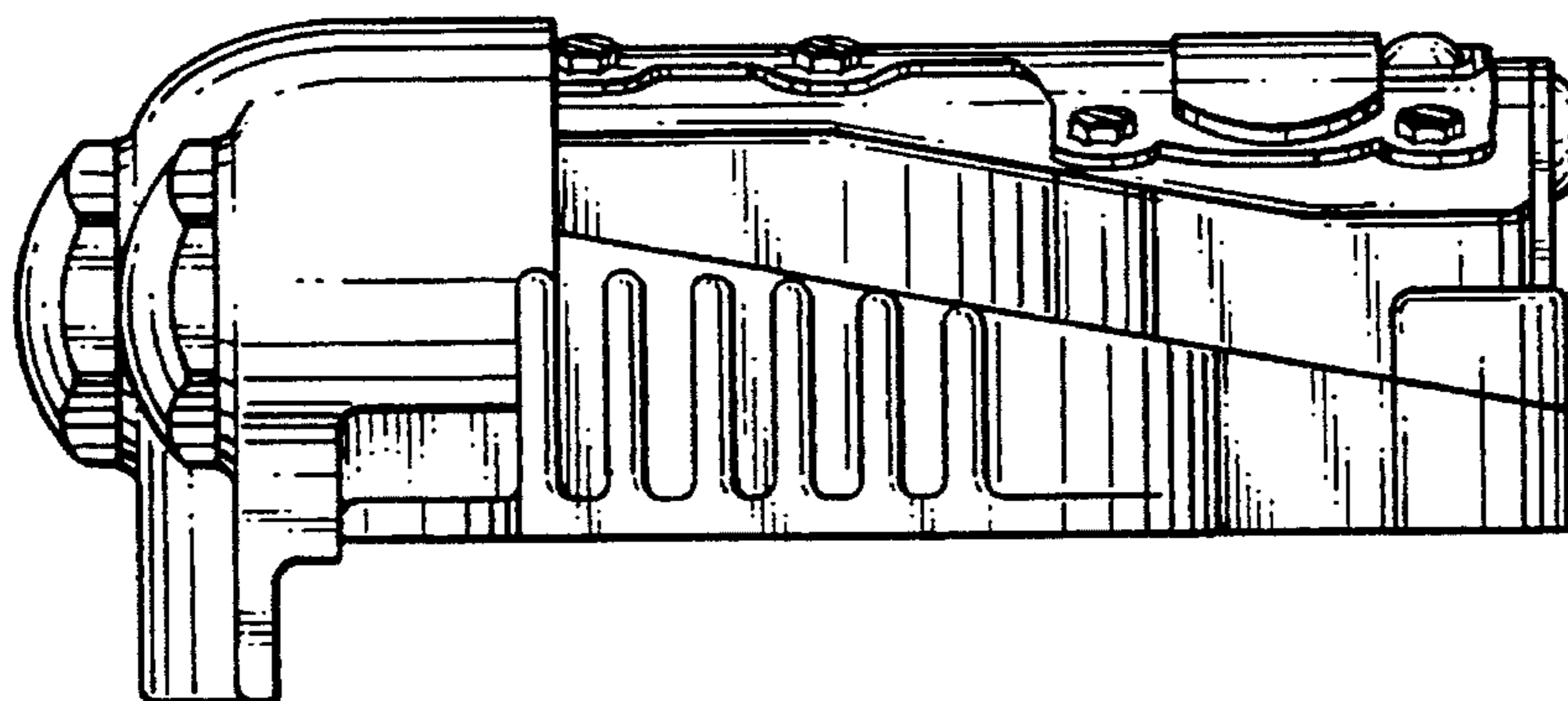




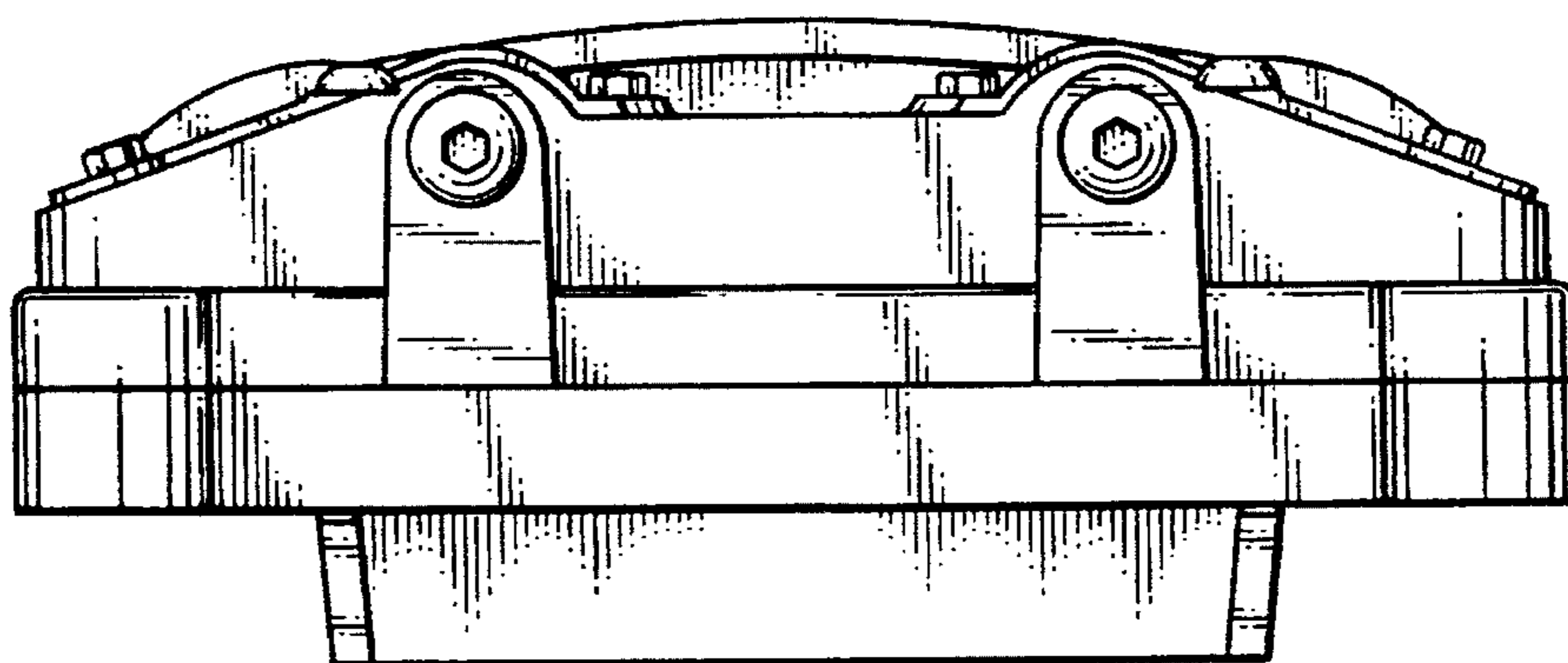
*FIG. 1*



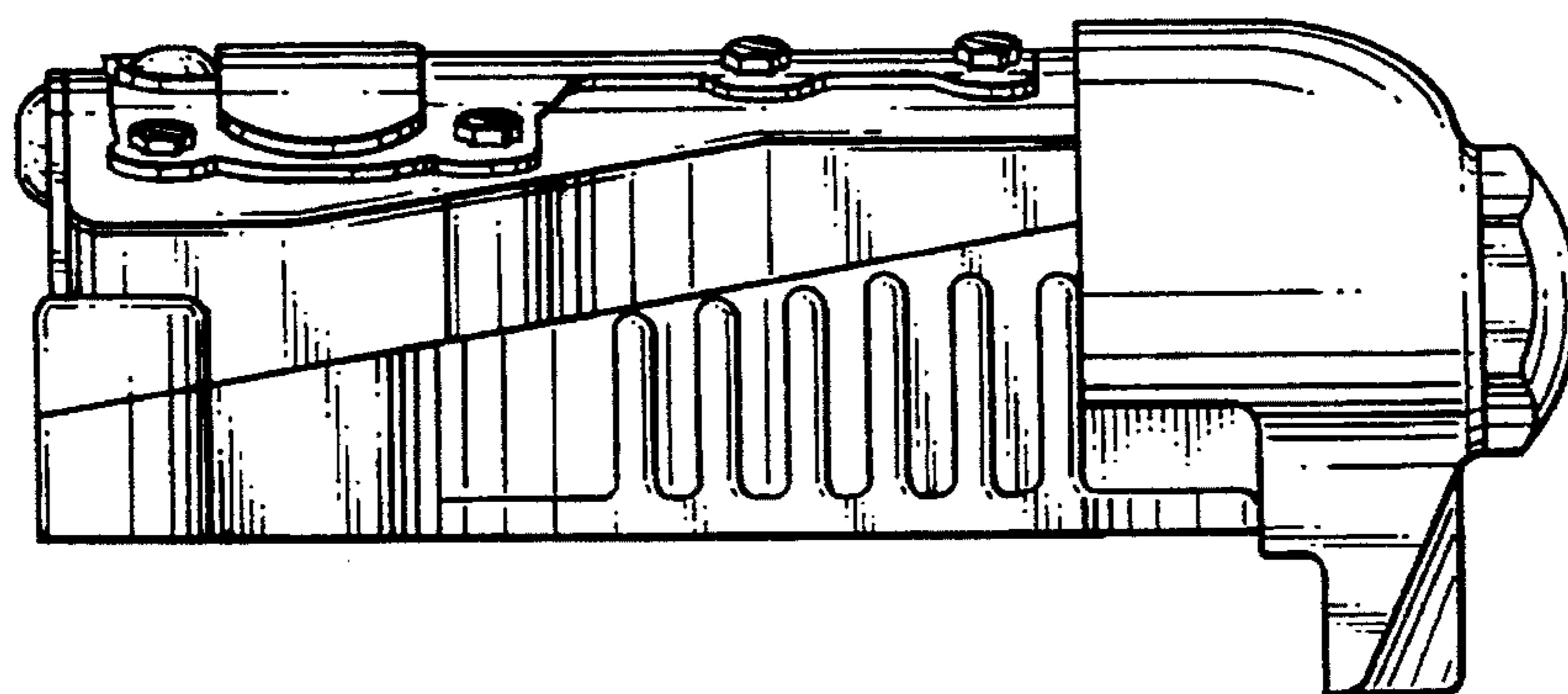
*FIG. 2*



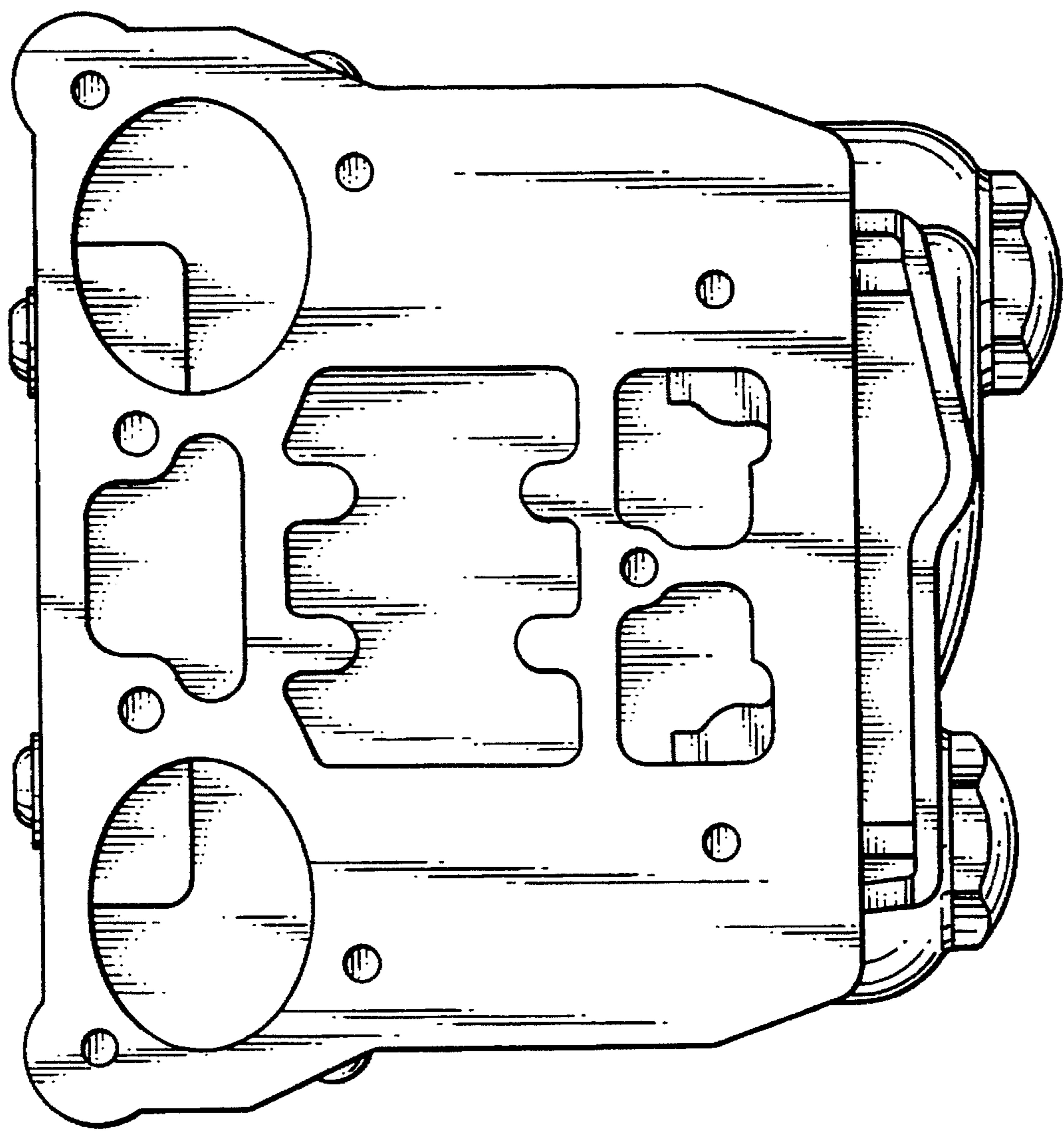
*FIG. 3*



*FIG. 4*



*FIG. 5*



**FIG. 6**