



US00D368677S

United States Patent [19]

Treadway et al.

[11] Patent Number: **Des. 368,677**

[45] Date of Patent: ****Apr. 9, 1996**

[54] **FRONT CAP AND HOOD ASSEMBLY FOR A MOTOR HOME**

[75] Inventors: **Patrick P. Treadway**, Ontario, Calif.;
Michael J. Miernik, Decatur, Ind.

[73] Assignee: **Fleetwood Enterprises, Inc.**, Riverside, Calif.

[**] Term: **14 Years**

[21] Appl. No.: **38,507**

[22] Filed: **May 5, 1995**

[52] U.S. Cl. **D12/100**

[58] Field of Search D12/100, 196;
296/50, 56, 156, 164, 194, 195, 180.1

[56] **References Cited**

U.S. PATENT DOCUMENTS

- D. 319,616 9/1991 Thompson et al. D12/196
- D. 319,996 9/1991 Thompson et al. D12/196
- D. 320,584 10/1991 Partin D12/100
- D. 331,729 12/1992 Treadway D12/100
- D. 337,971 8/1993 Shea, Sr. D12/196 X

- D. 338,175 8/1993 Shea, Jr. D12/100
- D. 338,432 8/1993 Slayter et al. D12/100
- D. 338,642 8/1993 Shea, Sr. D12/100
- D. 338,856 8/1993 Taylor D12/196 X

Primary Examiner—Alan P. Douglas
Assistant Examiner—S. Snapp
Attorney, Agent, or Firm—Price, Gess, & Ubell

[57] **CLAIM**

The ornamental design for a front cap and hood assembly for a motor home, as shown and described.

DESCRIPTION

FIG. 1 is a front side perspective view of the front cap and hood assembly for a motor home showing the new design; FIG. 2 is a top plan view thereof; FIG. 3 is a front elevational view thereof; FIG. 4 is a left side elevational view thereof; and, FIG. 5 is a right side elevational view thereof. The broken line showing of a motor home in FIG. 1 is for illustrative purposes only and forms no part of the claimed design.

1 Claim, 2 Drawing Sheets

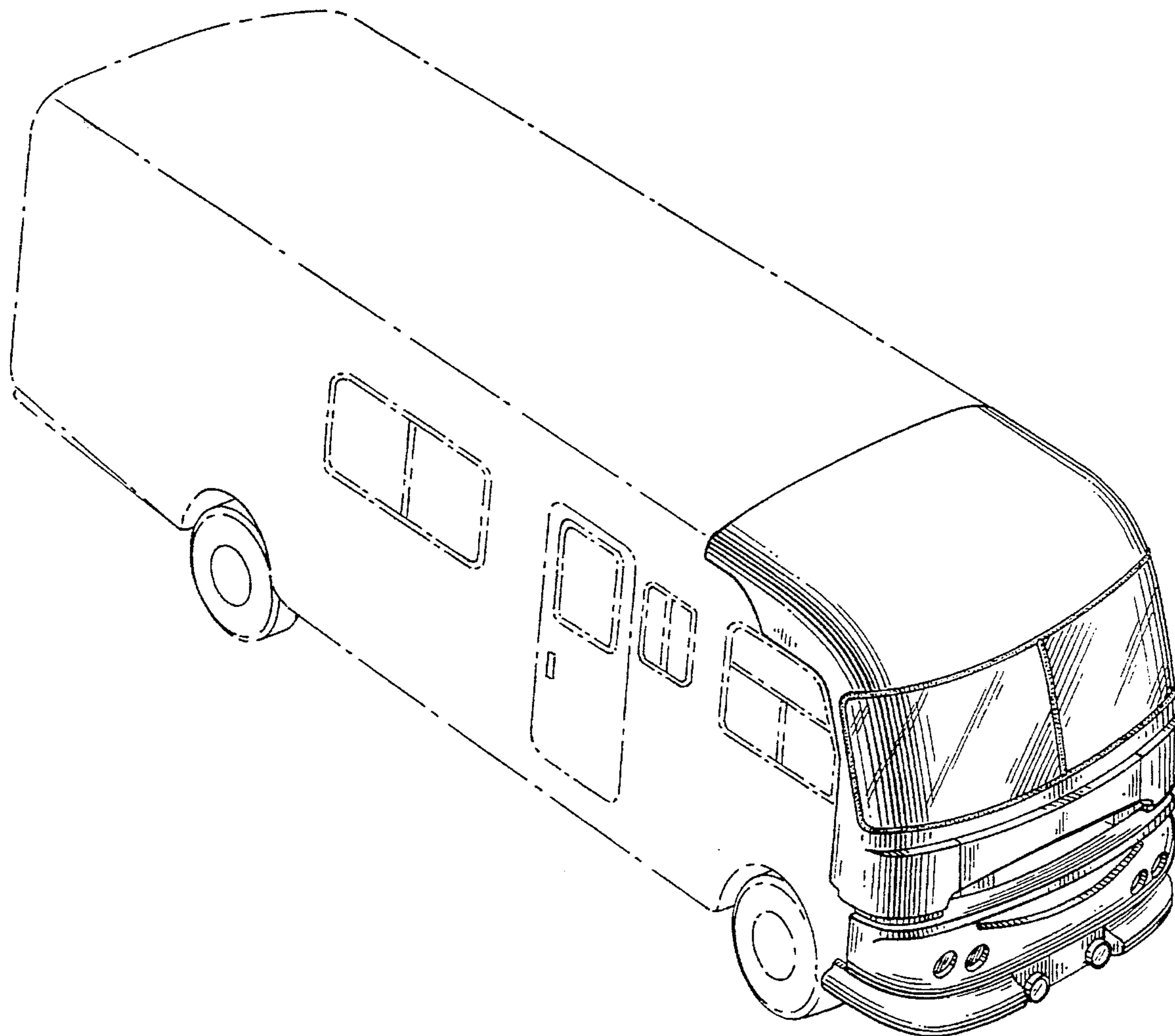


FIG. 1

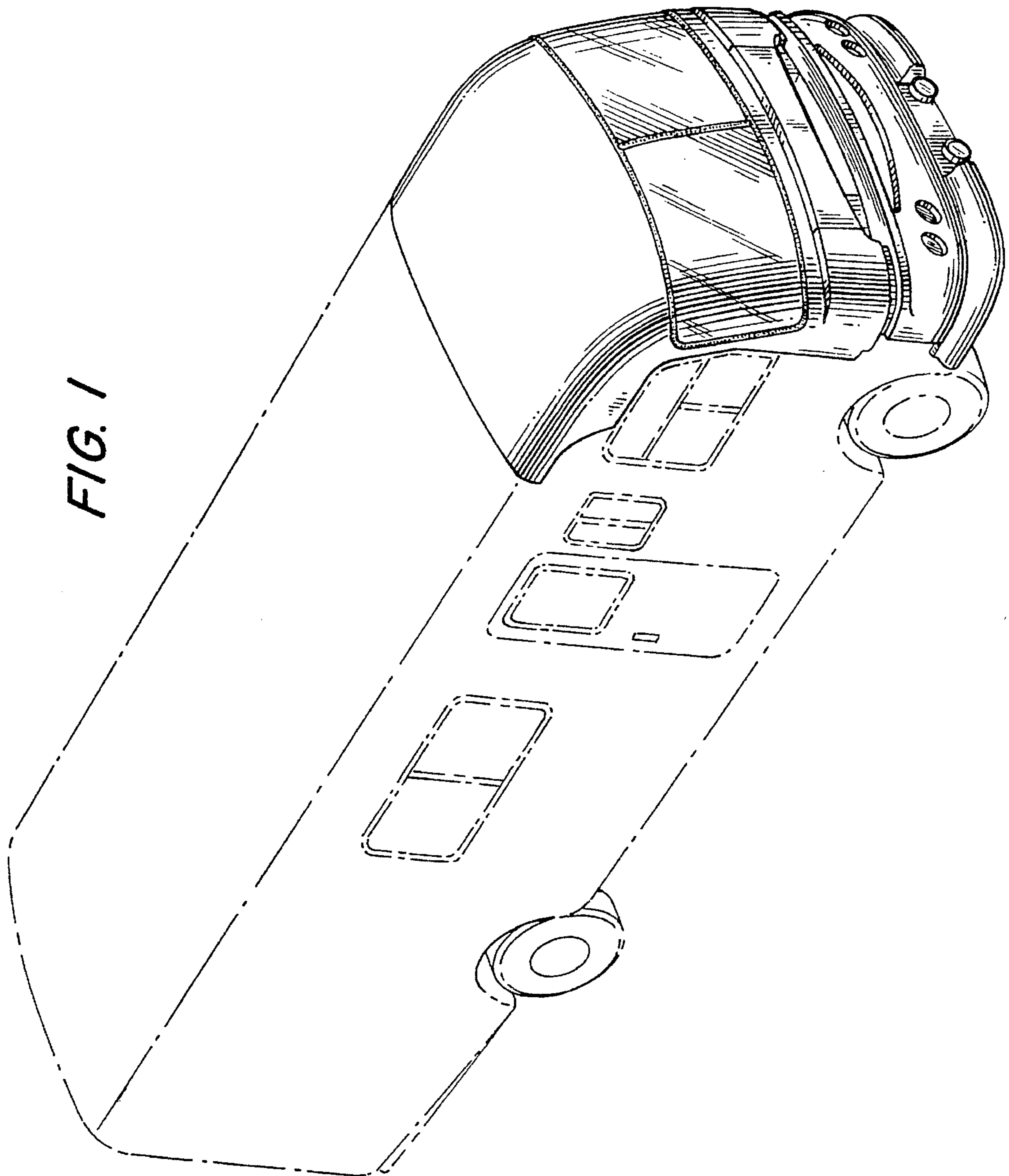


FIG. 2

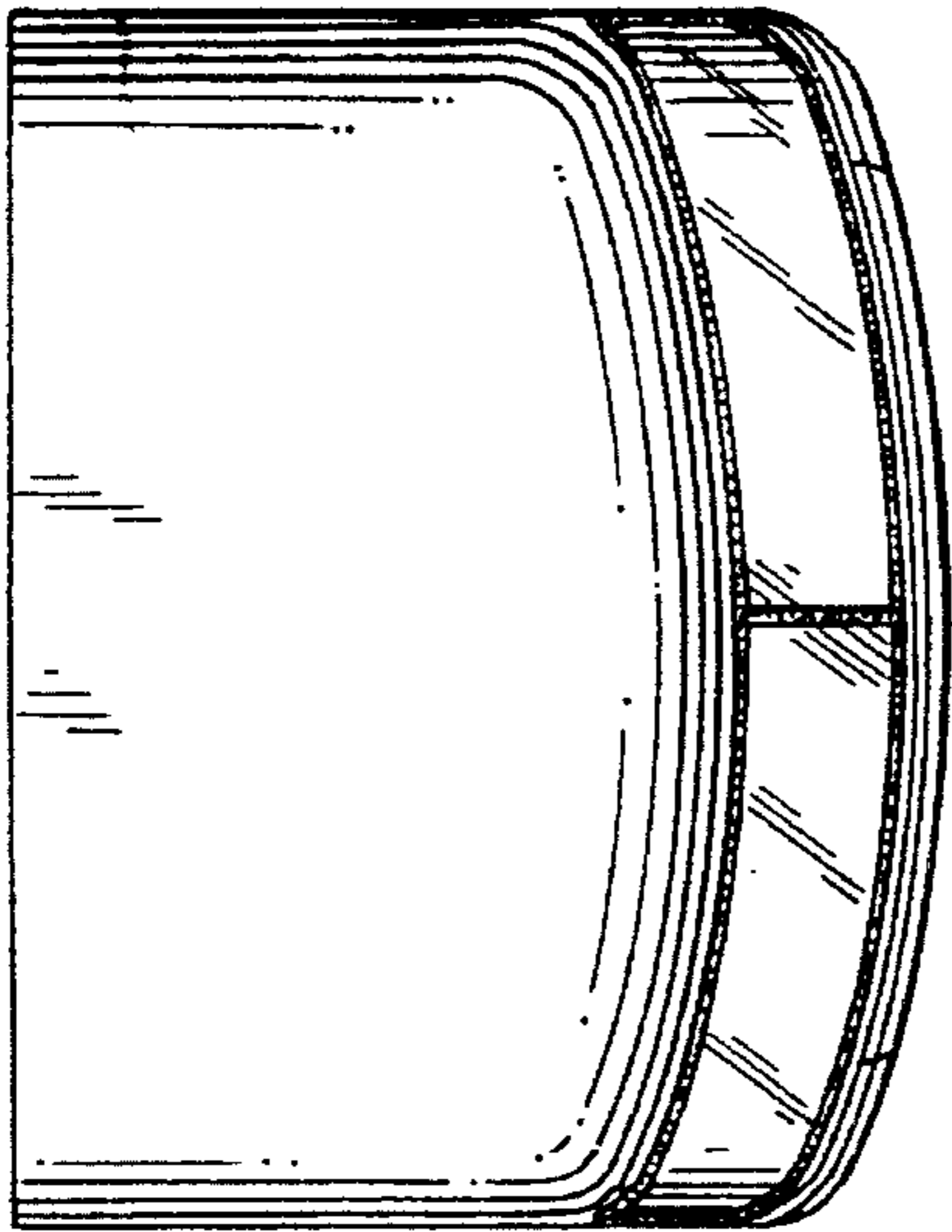


FIG. 3

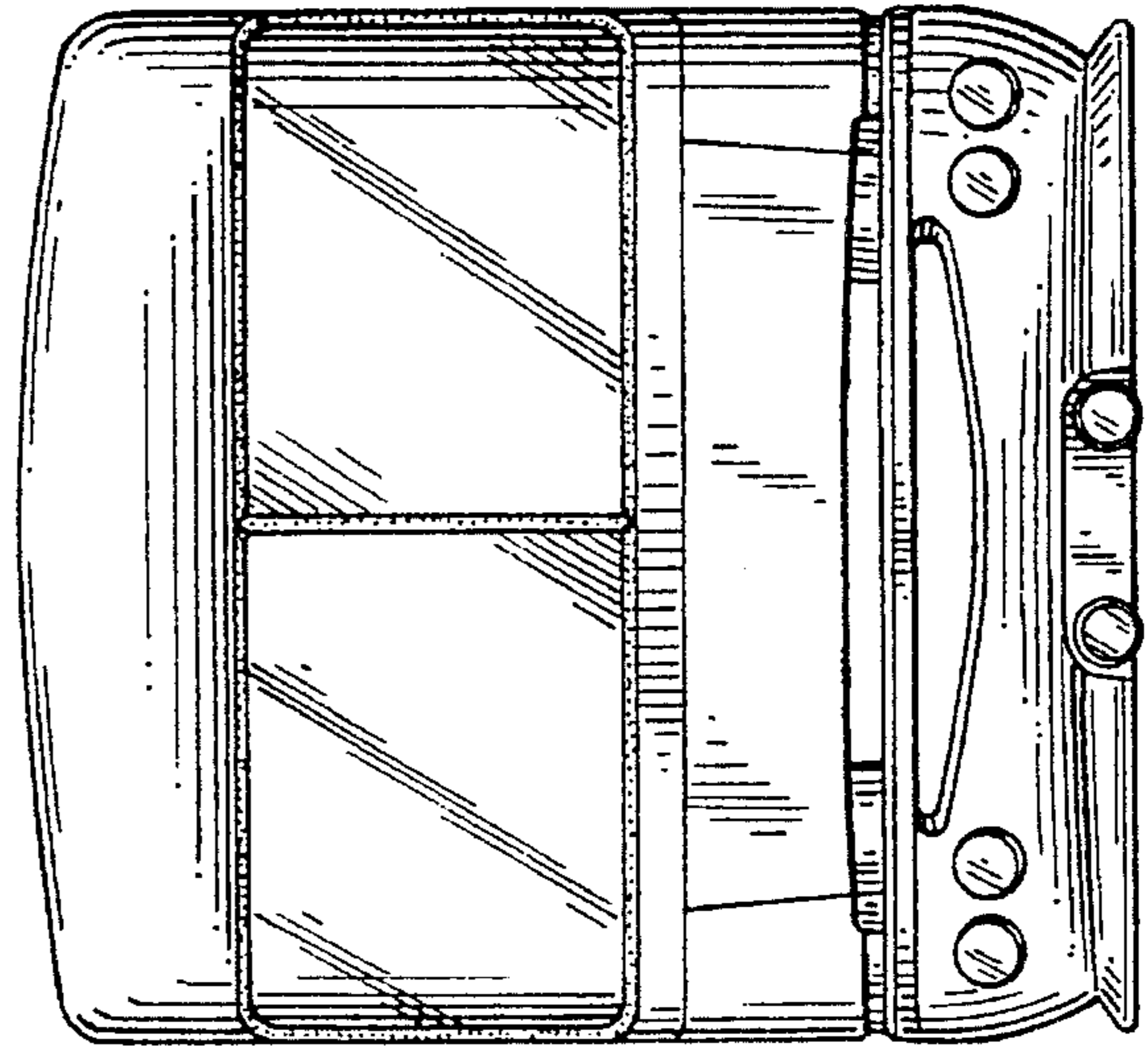


FIG. 4

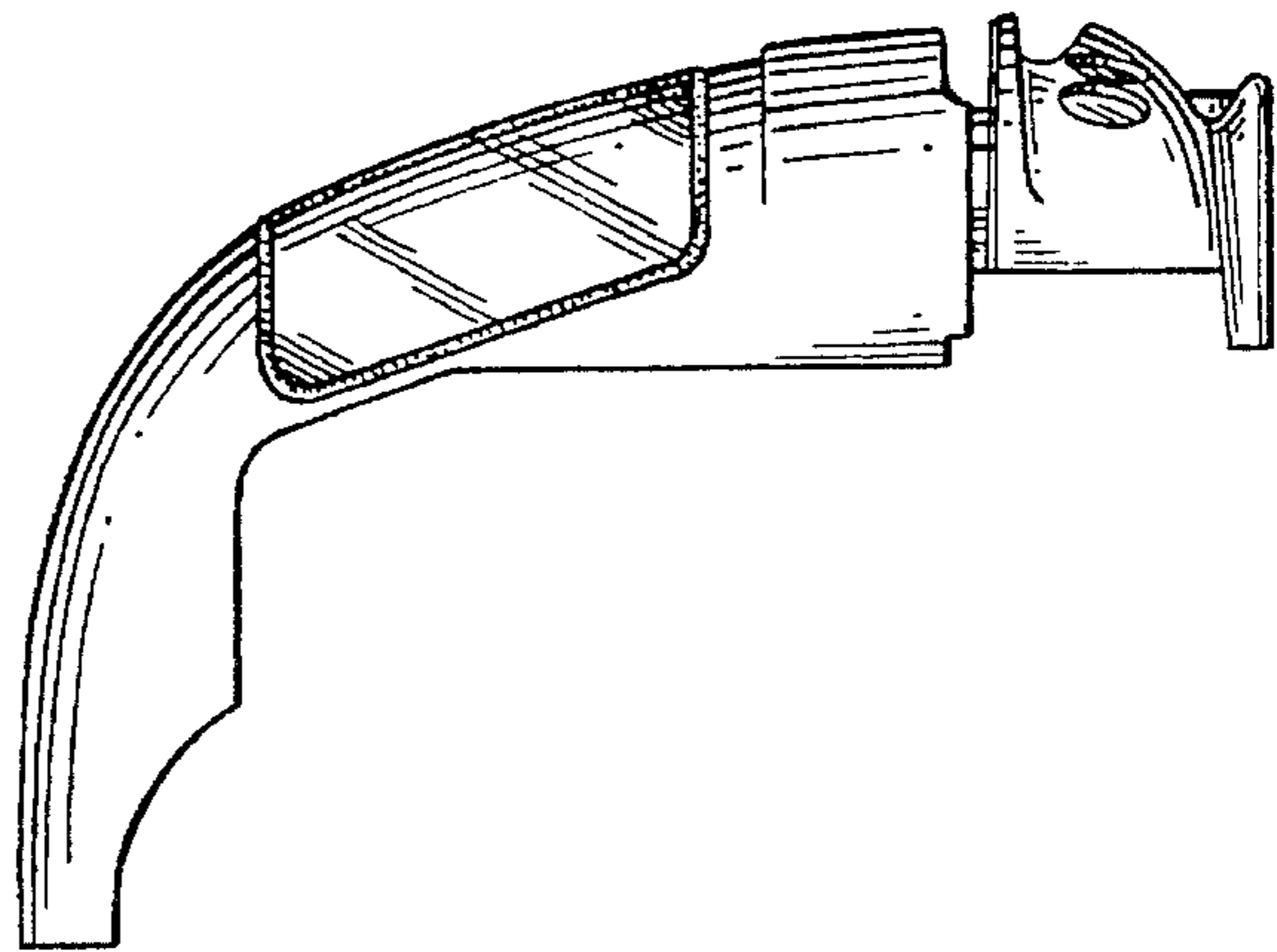


FIG. 5

